



US00D986713S

(12) **United States Design Patent**
Wright et al.

(10) **Patent No.:** **US D986,713 S**

(45) **Date of Patent:** **** May 23, 2023**

(54) **CASE FOR ELECTRONIC DEVICE**

FOREIGN PATENT DOCUMENTS

(71) Applicant: **Catalyst Lifestyle Limited**, North Point (HK)

CN 304239640 S 8/2017
CN 304317772 S 10/2017

(Continued)

(72) Inventors: **Joshua Wright**, Hong Kong (CN);
June Lai, Hong Kong (CN)

OTHER PUBLICATIONS

(73) Assignee: **CATALYST LIFESTYLE LIMITED**, North Point (HK)

Notice of Allowance and Fee(s) Due dated Apr. 23, 2020 pertaining to U.S. Appl. No. 29/665,166, filed Oct. 1, 2018, 20 pgs.

(Continued)

(**) Term: **15 Years**

Primary Examiner — Cynthia R Underwood

(21) Appl. No.: **29/726,011**

(74) *Attorney, Agent, or Firm* — Dinsmore & Shohl LLP

(22) Filed: **Feb. 28, 2020**

(57) **CLAIM**

The ornamental design for a case for electronic device, as shown and described.

(51) **LOC (14) Cl.** **09-06**

(52) **U.S. Cl.**
USPC **D8/356**

DESCRIPTION

(58) **Field of Classification Search**
USPC D14/440, 447, 250; 206/45.23, 320,
206/45.2; 361/679.55; 294/25; 224/218;
D3/294; D9/420; D8/440
CPC G06F 1/1628; G06F 1/1626; A47B 23/044
See application file for complete search history.

FIG. 1 is a perspective view including the rear, top, and side of a case for electronic device in a closed condition showing our new design;
FIG. 2 is a front elevation view thereof;
FIG. 3 is a rear elevation view thereof;
FIG. 4 is a side elevation view thereof;
FIG. 5 is an opposite side elevation view thereof;
FIG. 6 is a bottom plan view thereof;
FIG. 7 is a top plan view thereof;
FIG. 8 is a perspective view thereof including the front, top, and side in an open condition;
FIG. 9 is a front elevation view of FIG. 8;
FIG. 10 is a rear elevation view of FIG. 8;
FIG. 11 is a side elevation view of FIG. 8;
FIG. 12 is an opposite side elevation view of FIG. 8;
FIG. 13 is a top plan view of FIG. 8; and,
FIG. 14 is a bottom plan view of FIG. 8.

(56) **References Cited**

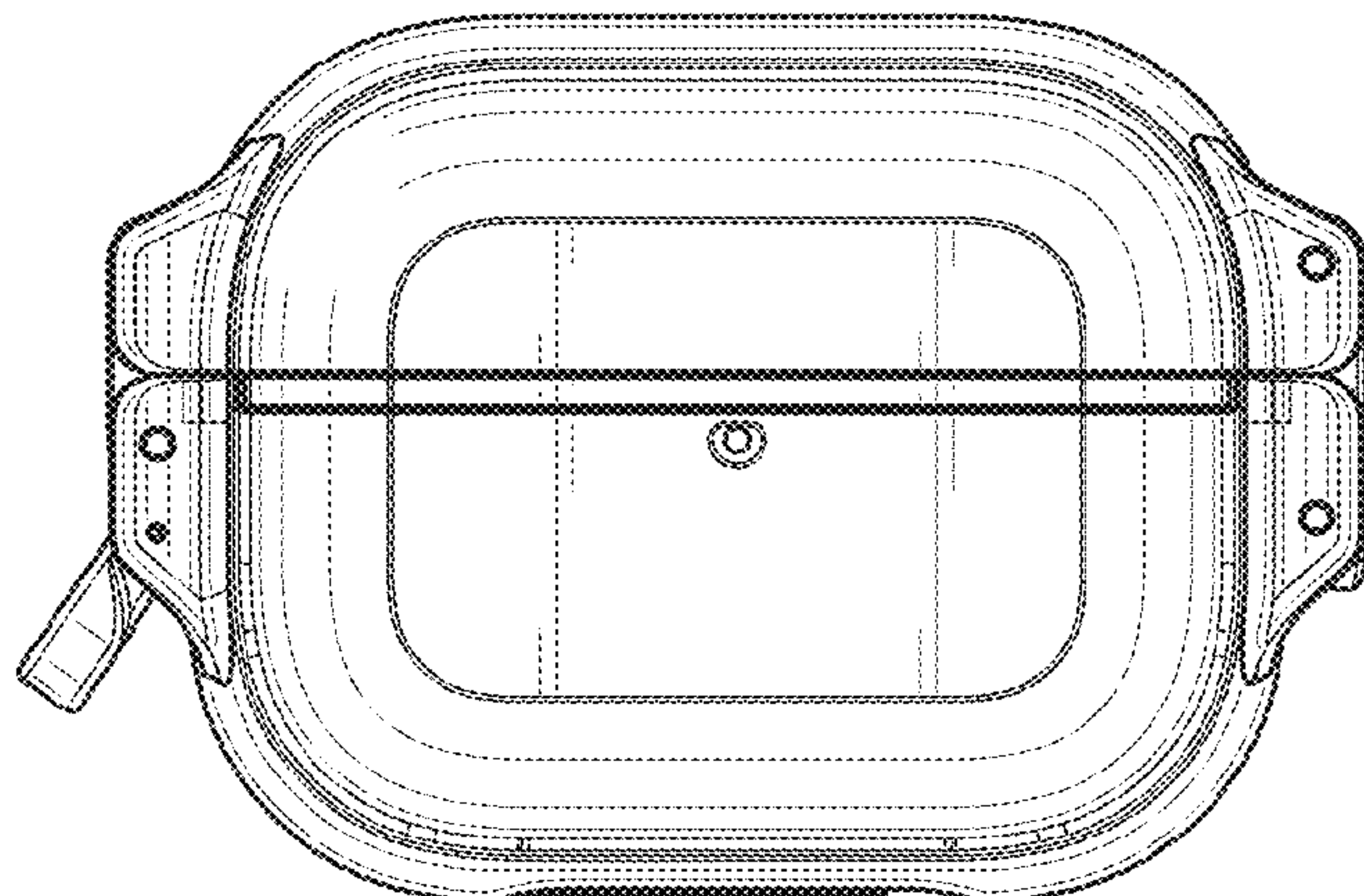
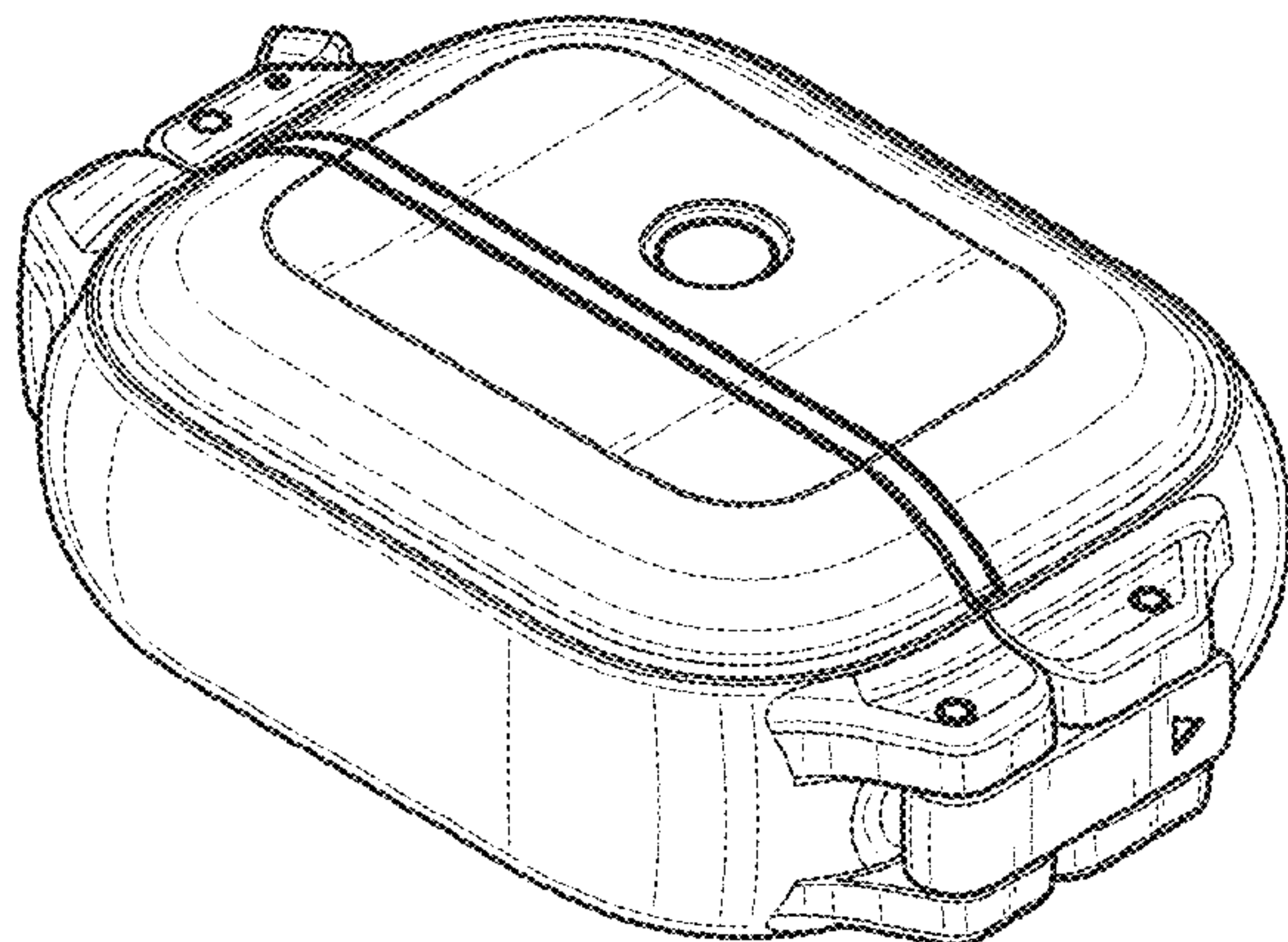
U.S. PATENT DOCUMENTS

228,598 A	6/1880	Buckley
D232,869 S	9/1974	Yoshimura
D239,160 S	3/1976	Giberstein
D287,336 S	12/1986	Roehrig
4,907,694 A	3/1990	Miller et al.
D310,480 S	9/1990	Geiger
D317,407 S	6/1991	Gray et al.
D322,752 S	12/1991	Zintzmeyer
D323,292 S	1/1992	Jones
D338,102 S	8/1993	Mcguire et al.
D362,542 S	9/1995	Richards et al.

(Continued)

The broken lines shown in the drawings depict portions of the case for electronic device that form no part of the claimed design.

1 Claim, 14 Drawing Sheets



(56)

References Cited

U.S. PATENT DOCUMENTS

D375,197 S	11/1996	Laherty	
5,740,624 A	4/1998	Baseley	
D399,604 S	10/1998	Wolff	
D405,256 S	2/1999	Chacon et al.	
D426,950 S	6/2000	Conway	
D427,424 S	7/2000	Conway	
6,305,538 B1	10/2001	Jackson	
D467,799 S *	12/2002	Persson	D9/420
D475,282 S	6/2003	Snaith et al.	
D475,696 S	6/2003	Hussaini et al.	
D493,257 S	7/2004	McCorkindale	
D493,576 S	7/2004	Ward	
6,817,470 B1	11/2004	Goldberg	
D520,001 S	5/2006	Katayama	
D527,227 S	8/2006	Bertulis	
D528,012 S	9/2006	Snyder	
D531,618 S	11/2006	Kennemer et al.	
D542,664 S	5/2007	Mayers	
D548,970 S	8/2007	Huang	
D553,077 S	10/2007	Kim et al.	
D554,364 S	11/2007	Rugg	
D556,571 S	12/2007	Jalet	
7,347,325 B2	3/2008	O'Neill et al.	
D566,484 S	4/2008	George	
D586,557 S	2/2009	Jalet	
D592,400 S	5/2009	Nelson	
D594,659 S	6/2009	Lown et al.	
D595,952 S	7/2009	Nussberger	
D596,393 S	7/2009	Leung et al.	
D599,546 S	9/2009	Lown et al.	
D600,913 S	9/2009	Kalbach	
7,584,841 B2	9/2009	Chan et al.	
D601,366 S	10/2009	Barabas et al.	
D604,501 S	11/2009	Lee	
D606,307 S	12/2009	Gauss	
D606,532 S	12/2009	De Jong et al.	
D614,400 S	4/2010	Simonian et al.	
7,855,529 B2	12/2010	Liu	
D634,115 S	3/2011	Long, Jr. et al.	
D637,647 S	5/2011	Allison et al.	
D642,159 S	7/2011	Joseph	
D648,980 S *	11/2011	Forti	D7/363
D666,821 S	9/2012	Phillips et al.	
D666,824 S	9/2012	Phillips et al.	
D666,826 S	9/2012	Phillips et al.	
D670,497 S	11/2012	Phillips et al.	
D672,642 S	12/2012	Supranowicz	
D674,688 S	1/2013	Loftin et al.	
D677,888 S	3/2013	Sogabe	
8,399,764 B2	3/2013	Klosky	
D681,613 S	5/2013	Magness et al.	
D692,664 S	11/2013	Rashid	
D694,759 S	12/2013	Chang et al.	
D708,784 S	7/2014	Kim	
D709,869 S	7/2014	Witter et al.	
D718,741 S	12/2014	Lui et al.	
D718,750 S	12/2014	Young et al.	
D720,096 S	12/2014	McDougall	
8,961,015 B1	2/2015	Bihn	
D723,461 S	3/2015	Chen	
D731,178 S *	6/2015	Gorouvein	D3/265
9,125,478 B2	9/2015	Li et al.	
D748,606 S	2/2016	Abayomi et al.	
9,295,174 B2	3/2016	Witter et al.	
D757,685 S	5/2016	Park et al.	
D759,632 S	6/2016	Fischer et al.	
D759,867 S	6/2016	Grandadam	
D766,215 S	9/2016	Mackiewicz et al.	
D766,905 S	9/2016	Lee	
D769,879 S	10/2016	Kim	
D775,818 S *	1/2017	Ingraham	D3/218
D777,331 S	1/2017	Jayalath et al.	
D777,530 S	1/2017	Marret	
D780,740 S	3/2017	Kim	
D790,510 S	6/2017	Xiao	
D794,617 S	8/2017	Wright et al.	
D794,618 S	8/2017	Wright et al.	
D801,346 S	10/2017	Oberpriller et al.	
D806,388 S	1/2018	Akana et al.	
D808,791 S	1/2018	Johnston et al.	
D818,268 S	5/2018	Akana et al.	
D823,311 S	7/2018	Oberpriller et al.	
D824,366 S	7/2018	Luo et al.	
D826,152 S	8/2018	Christiansen	
D829,192 S	9/2018	Liu	
D831,002 S	10/2018	Distefano et al.	
D837,783 S	1/2019	Wang et al.	
D838,480 S *	1/2019	Son	D3/294
D841,580 S *	2/2019	Bao	D13/108
D841,581 S *	2/2019	Bonahoom	D13/108
D845,290 S	4/2019	Brubaker et al.	
D846,264 S	4/2019	Wu	
D849,401 S *	5/2019	Akana	D3/274
D850,224 S	6/2019	James et al.	
D850,365 S	6/2019	Loermann et al.	
D853,116 S	7/2019	Bergman et al.	
D853,357 S	7/2019	Li	
D862,416 S	10/2019	Czaniecki et al.	
D862,425 S *	10/2019	Yan	D14/223
D862,435 S *	10/2019	Kwak	D14/240
D864,110 S *	10/2019	Yoshimura	D13/108
D864,971 S *	10/2019	Lee	D14/440
D865,717 S	11/2019	Wang	
D866,167 S	11/2019	Chudy	
D868,453 S	12/2019	Lee et al.	
D868,465 S *	12/2019	Lee	D3/269
D869,147 S *	12/2019	Lian	D3/201
D869,161 S *	12/2019	Zhong	D3/294
D869,163 S *	12/2019	Maguire	D3/301
D870,037 S *	12/2019	Lee	D13/107
D870,451 S *	12/2019	Birger	D3/201
D872,094 S *	1/2020	Wright	D14/440
D872,468 S *	1/2020	Lee	D3/269
D872,469 S *	1/2020	Lee	D3/269
D872,723 S	1/2020	Lee et al.	
D872,724 S	1/2020	Lee et al.	
D873,217 S *	1/2020	Zhang	D13/108
D874,826 S *	2/2020	Zhang	D3/303
D878,045 S *	3/2020	Akana	D3/274
D878,754 S *	3/2020	Lee	D3/270
D881,179 S *	4/2020	Wright	D14/250
D881,180 S	4/2020	Wright et al.	
D881,181 S	4/2020	Wright et al.	
D881,572 S *	4/2020	Wang	D3/294
D881,867 S	4/2020	Lee et al.	
D882,259 S	4/2020	Liu	
D886,445 S	6/2020	Hyun	
D886,454 S	6/2020	Williamson et al.	
D887,140 S	6/2020	Hyun	
D887,401 S	6/2020	Wright et al.	
D888,036 S	6/2020	Wright et al.	
D888,037 S	6/2020	Wright et al.	
D888,038 S	6/2020	Wright et al.	
D888,039 S *	6/2020	Wright	D14/250
D888,040 S *	6/2020	Wright	D14/250
D888,041 S *	6/2020	Wright	D14/250
D888,042 S *	6/2020	Wright	D14/250
D888,043 S *	6/2020	Wright	D14/250
D888,408 S	6/2020	Lee et al.	
D888,663 S	6/2020	Weng	
D889,402 S	7/2020	Lim	
D890,765 S	7/2020	Lee et al.	
D892,497 S *	8/2020	Wright	D3/294
D892,498 S *	8/2020	Wright	D3/294
D892,499 S	8/2020	Wright et al.	
D893,184 S	8/2020	Liu	
D894,156 S	8/2020	Pai	
D895,287 S	9/2020	Hyun	
D895,288 S	9/2020	Hyun	
D897,678 S	10/2020	Koh	
D897,997 S	10/2020	Zhang	
D898,664 S	10/2020	Bhutani	
D903,316 S	12/2020	Kwak et al.	
D904,760 S	12/2020	Hyun	

(56)

References Cited

U.S. PATENT DOCUMENTS

D904,765 S 12/2020 Hyun
 D907,009 S 1/2021 Akana et al.
 D908,084 S 1/2021 He
 D910,558 S 2/2021 Lin
 D910,559 S 2/2021 Lin
 D911,711 S * 3/2021 Feng D3/294
 D914,603 S 3/2021 Wang
 D914,604 S 3/2021 Wang
 D915,382 S 4/2021 Koo et al.
 D918,174 S 5/2021 Czaniecki et al.
 D918,579 S 5/2021 Youn
 D920,235 S 5/2021 Liu
 D920,662 S 6/2021 Youn
 D922,070 S 6/2021 Armstrong
 D922,946 S 6/2021 Chen
 11,039,523 B2 * 6/2021 Wang H05B 47/12
 D924,560 S 7/2021 Hyun
 D924,716 S 7/2021 Wright et al.
 D925,215 S 7/2021 Jung
 D926,470 S * 8/2021 Luo D3/294
 D927,181 S * 8/2021 Jung D3/294
 D928,165 S 8/2021 Li
 D928,502 S 8/2021 Weng
 D928,509 S 8/2021 Armstrong
 D929,879 S 9/2021 Paschke et al.
 D930,361 S 9/2021 Jacobs
 D931,268 S 9/2021 Wright et al.
 D932,462 S 10/2021 Wu et al.
 D933,045 S 10/2021 Jin
 D933,351 S 10/2021 Armstrong et al.
 D933,602 S 10/2021 Zhang
 D934,563 S * 11/2021 Xiang D3/294
 D934,565 S 11/2021 Wright et al.
 D934,869 S * 11/2021 Wright D14/440
 D935,179 S * 11/2021 Liu D3/294
 D935,180 S 11/2021 Zhang
 D936,361 S 11/2021 Chun
 D936,573 S 11/2021 Turksu et al.
 D938,430 S * 12/2021 Feng D14/440
 D939,212 S * 12/2021 Saxton D3/294
 D940,798 S 1/2022 Coughlan et al.
 D941,023 S 1/2022 Lee et al.
 D941,762 S * 1/2022 Ye D3/294
 D942,980 S 2/2022 Wright et al.
 D944,524 S 3/2022 Laffon De Mazieres et al.
 D947,198 S 3/2022 Lee
 D949,865 S 4/2022 Lee
 D952,327 S 5/2022 Martilla
 D954,715 S 6/2022 Wright et al.
 D956,765 S 7/2022 Lee et al.
 D958,528 S 7/2022 Chung
 D958,535 S 7/2022 Wright et al.
 D958,536 S 7/2022 Del Moral et al.
 D959,141 S 8/2022 Lee et al.
 D959,831 S 8/2022 Feng
 D960,562 S 8/2022 Lee et al.
 D960,578 S 8/2022 Hua
 D970,892 S * 11/2022 Mok D13/118
 D971,833 S * 12/2022 Akana D3/274
 2003/0218445 A1 11/2003 Behar
 2006/0274493 A1 12/2006 Richardson et al.
 2010/0176166 A1 7/2010 Siagri et al.
 2016/0063293 A1 3/2016 Sun
 2017/0041037 A1 2/2017 Witter et al.
 2017/0094399 A1 3/2017 Chandramohan et al.
 2018/0064224 A1 3/2018 Brzezinski et al.
 2019/0372377 A1 12/2019 Weinstein et al.
 2020/0100573 A1 * 4/2020 Ekelund A45C 11/00
 2020/0304899 A1 9/2020 Cramer et al.
 2021/0000233 A1 1/2021 Wright et al.
 2021/0029424 A1 * 1/2021 Wright H04R 1/1025
 2021/0058687 A1 2/2021 Liu
 2021/0181012 A1 6/2021 Simmendinger
 2021/0345742 A1 11/2021 Wright et al.
 2021/0376636 A1 12/2021 Takami et al.

2021/0377646 A1 12/2021 Luo
 2022/0000237 A1 1/2022 Mody
 2022/0218081 A1 7/2022 Hofstrand
 2022/0218083 A1 7/2022 Wright et al.

FOREIGN PATENT DOCUMENTS

CN 304335071 S 10/2017
 CN 304342633 S 11/2017
 CN 304344793 S 11/2017
 CN 304362692 S 11/2017
 CN 304382968 S 12/2017
 CN 304493923 S 2/2018
 CN 304504641 S 2/2018
 GB 6089804 5/2020
 GB 6111653 1/2021
 GB 06111653 1/2021
 GB 6203722 4/2022
 GB 6203738 4/2022
 JP D1674536 S 12/2020
 JP D 1674536 S 12/2020
 KR 301097575.0000 3/2021
 KR 301103925.0000 6/2021
 KR 301135371.0000 11/2021

OTHER PUBLICATIONS

Notice of Allowance and Fee(s) Due dated Apr. 27, 2020 pertaining to U.S. Appl. No. 29/665,168, filed Oct. 1, 2018, 20 pgs.
 This AirPods Accessory is strangely awesome—Catalyst AirPods Case, publication date Apr. 7, 2017, [online][site visited Sep. 9, 2019] URL: <https://www.cnet.com/news/coming-soon-a-waterproof-case-for-your-airpods-case/> (Year: 2017).
 This glow-in-the-dark,waterproof AirPods case—Catalyst AirPods Case, publication date Apr. 14, 2017, [online][site visited Sep. 9, 2019] URL:<https://www.theverge.com/circuitbreaker/2017/4/14/15306100/catalyst-case-airpods-sale-glow-in-the-dark> (Year: 2017).
 Kim1991tae. “AirPod Case Catalyst.” Naver, Aug. 9, 2017. Web. <http://blog.naver.com/kim1991tae/221070237784>.
 Klipsch T5 II True Wireless Sport Earphones in Black with Dust/Waterproof Case, announced Jul. 13, 2021 [online], retrieved Jan. 28, 2022, retrieved from internet, <https://www.ubuy.co.id/en/product/D29P6JM-klipsch-t5-ii-true-wireless-sport-earphones-black>.
 Pelican Protector, announced Dec. 24, 2020 [online], retrieved Jan. 28, 2022, retrieved from internet, <https://case-mate.com/products/pelican-protector-airpods-co?currency=USD&variant=34430702354568>.
 U.S. Office Action dated Feb. 2, 2022 pertaining to U.S. Appl. No. 29/712,868, filed Nov. 12, 2019, 112 pages.
 Total Protection Case for Airpods, date not known [online], retrieved Aug. 22, 2022, retrieved on the internet: < <https://www.catalystcase.com/collections/airpods/products/total-protection-case-for-airpods-3rd-generation?variant=39665599610967> > (Year: 2022).
 AirPods Pro Case Drop Test—20 Feet, Jun. 20, 2021 [online], retrieved Aug. 22, 2022, retrieved on the internet: < <https://www.youtube.com/watch?v=oONvQHa4Q7E> > (Year: 2022).
 Total Protection Case for AirPods Pro I Catalyst, Dec. 30, 2020 [online], retrieved Aug. 22, 2022, retrieved on the internet: < <https://www.youtube.com/watch?v=6nC6rEWa97Q> > (Year: 2020).
 Waterproof and Drop Proof Case for Beats Studio Buds, announced © 2022 [online], retrieved Jan. 28, 2022, retrieved from internet, <https://www.catalystlifestyle.com/products/waterproof-and-drop-proof-case-for-beats-studio-buds?variant=39614953455725>.
 Waterproof Case for Google Pixel Buds 2, announced © 2022 [online], retrieved Jan. 28, 2022, retrieved from internet, <https://www.catalystlifestyle.com/collections/google/products/waterproof-case-for-google-pixel-buds-2?variant=32716947325037>.
 Klipsch T5 II True Wireless Sport Earphones in Black with Dust/Waterproof Case, announced Jul. 13, 2021 [online], retrieved Jan. 28, 2022, retrieved from internet, [https://www.ubuy.co.id/en/product/D29P6J M-klipsch-t5-ii-true-wireless-sport-earphones-black](https://www.ubuy.co.id/en/product/D29P6J-M-klipsch-t5-ii-true-wireless-sport-earphones-black).

(56)

References Cited

OTHER PUBLICATIONS

Pelican Protector, announced Dec. 24, 2020 [online], retrieved Jan. 28, 2022, retrieved from internet, <https://case-mate.com/products/pelican-protector-airpods-pro?currency=USD&variant=34430702354568>.

* cited by examiner

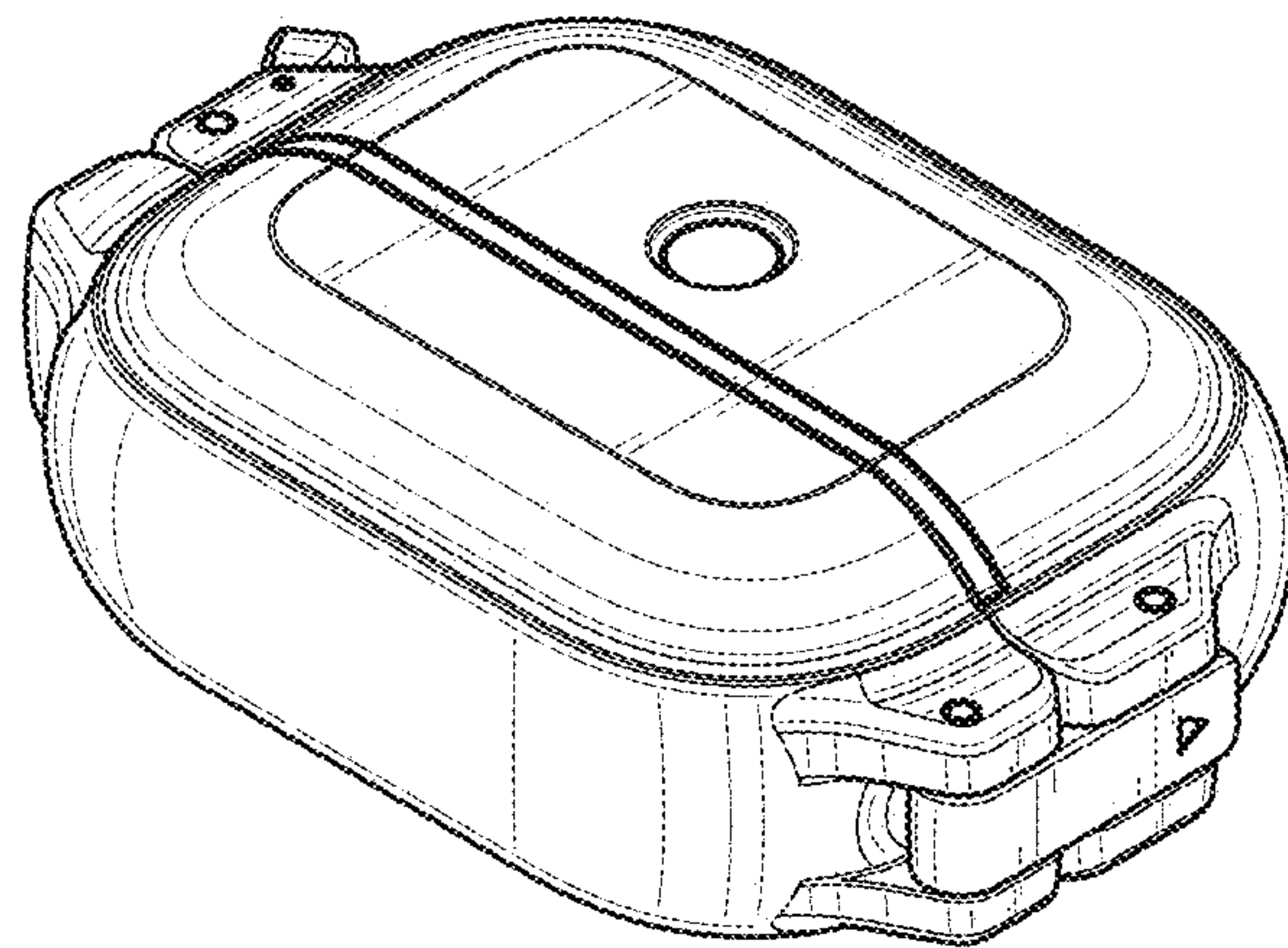


FIG. 1

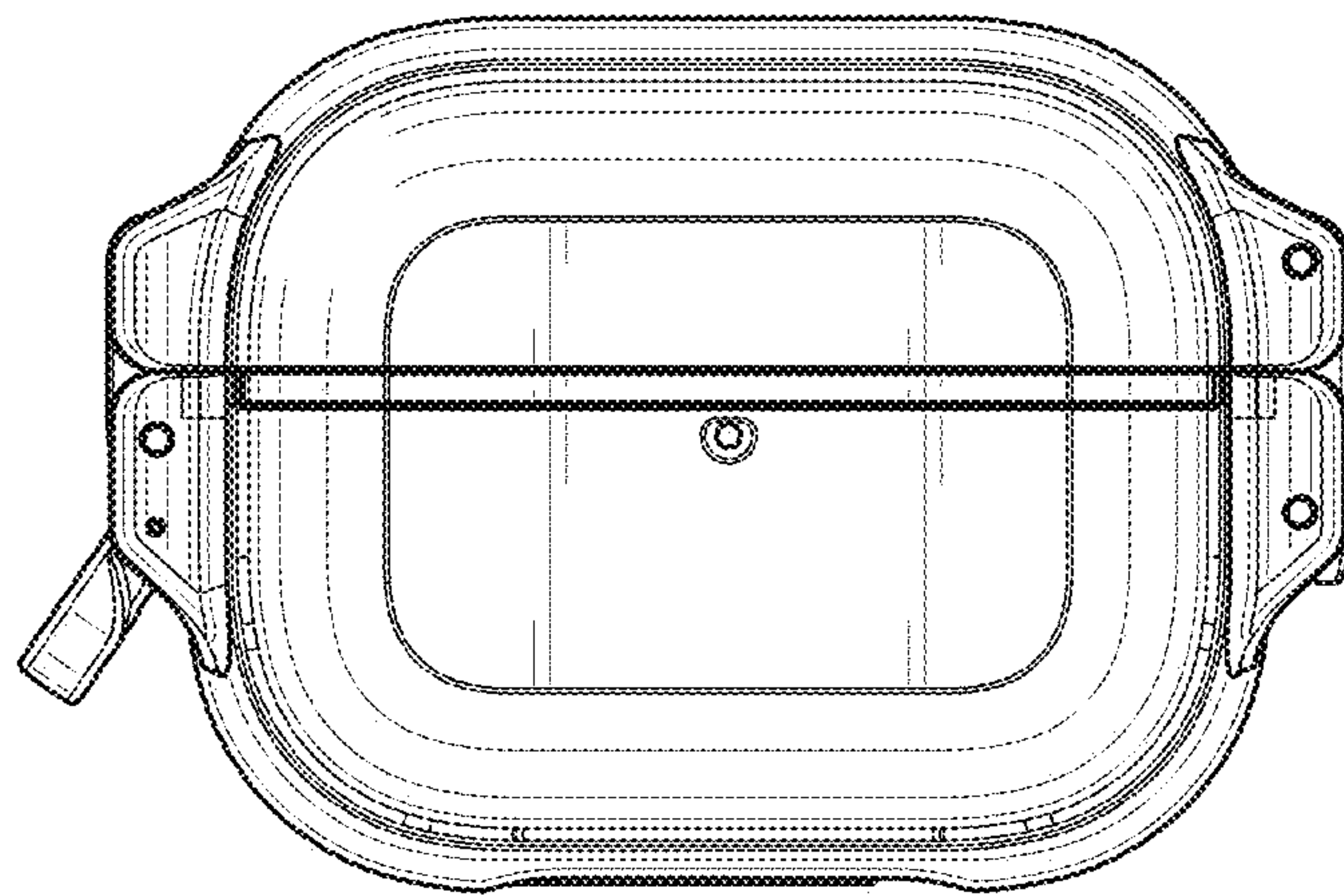


FIG. 2

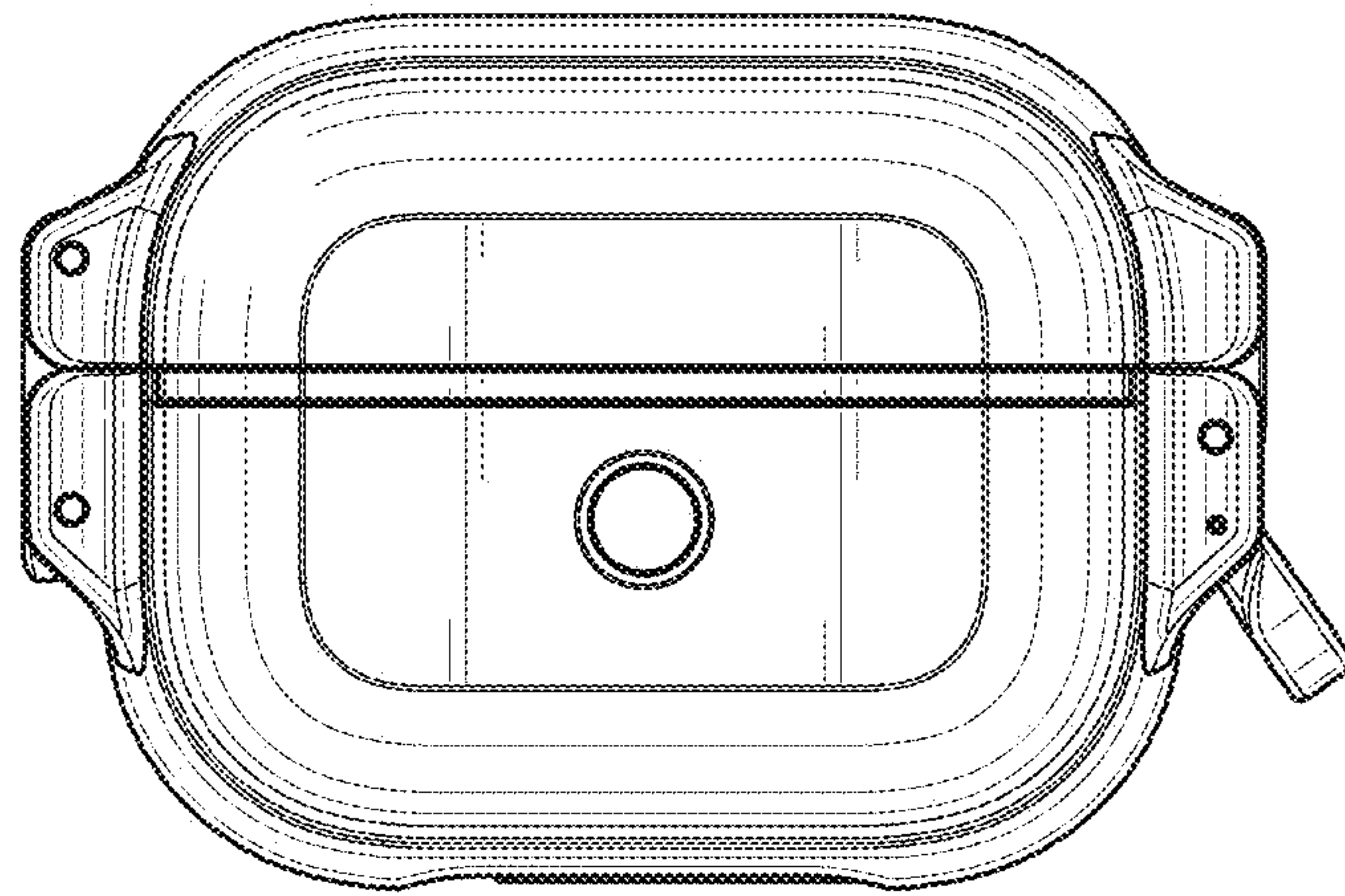


FIG. 3

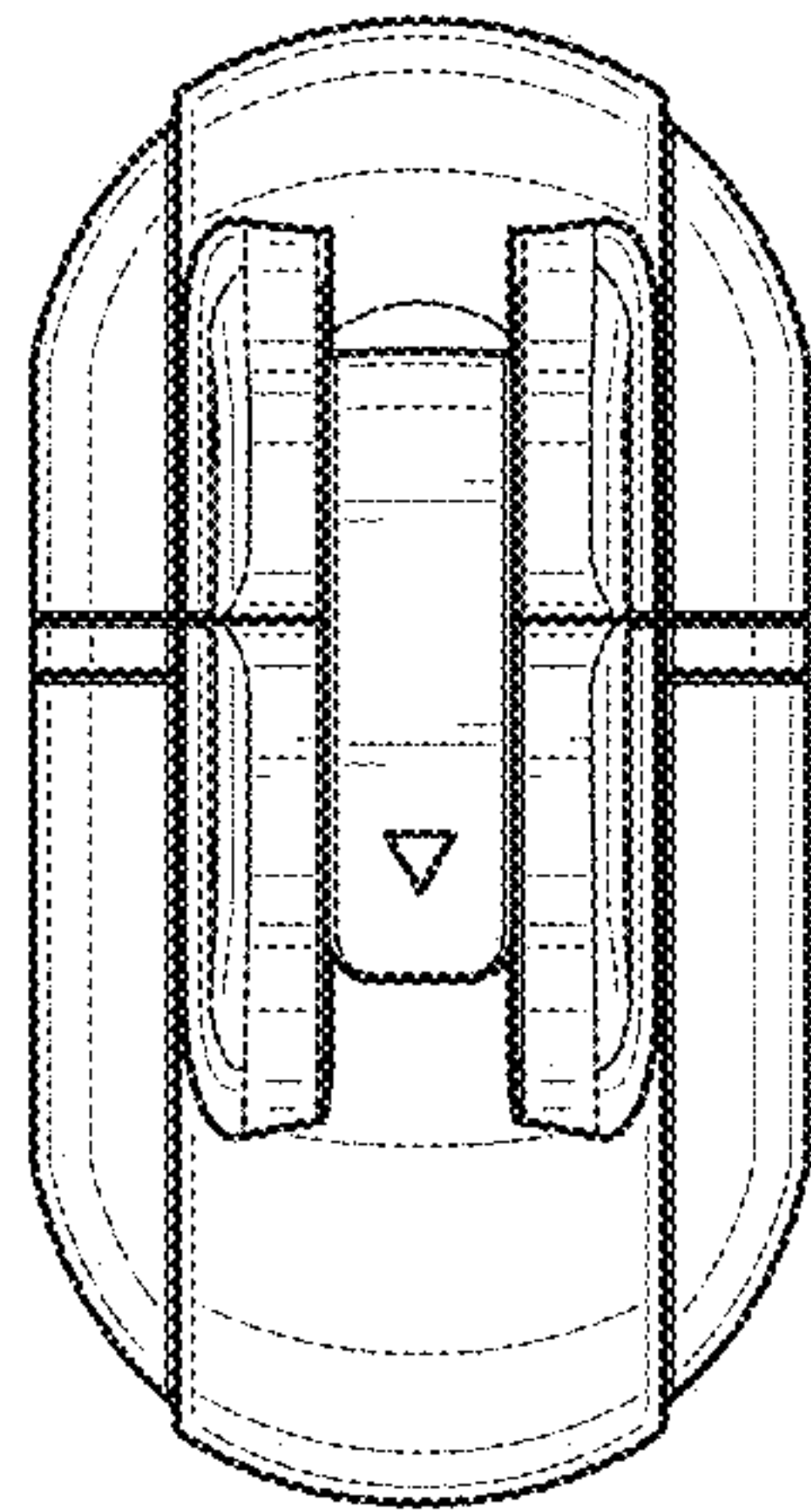


FIG. 4

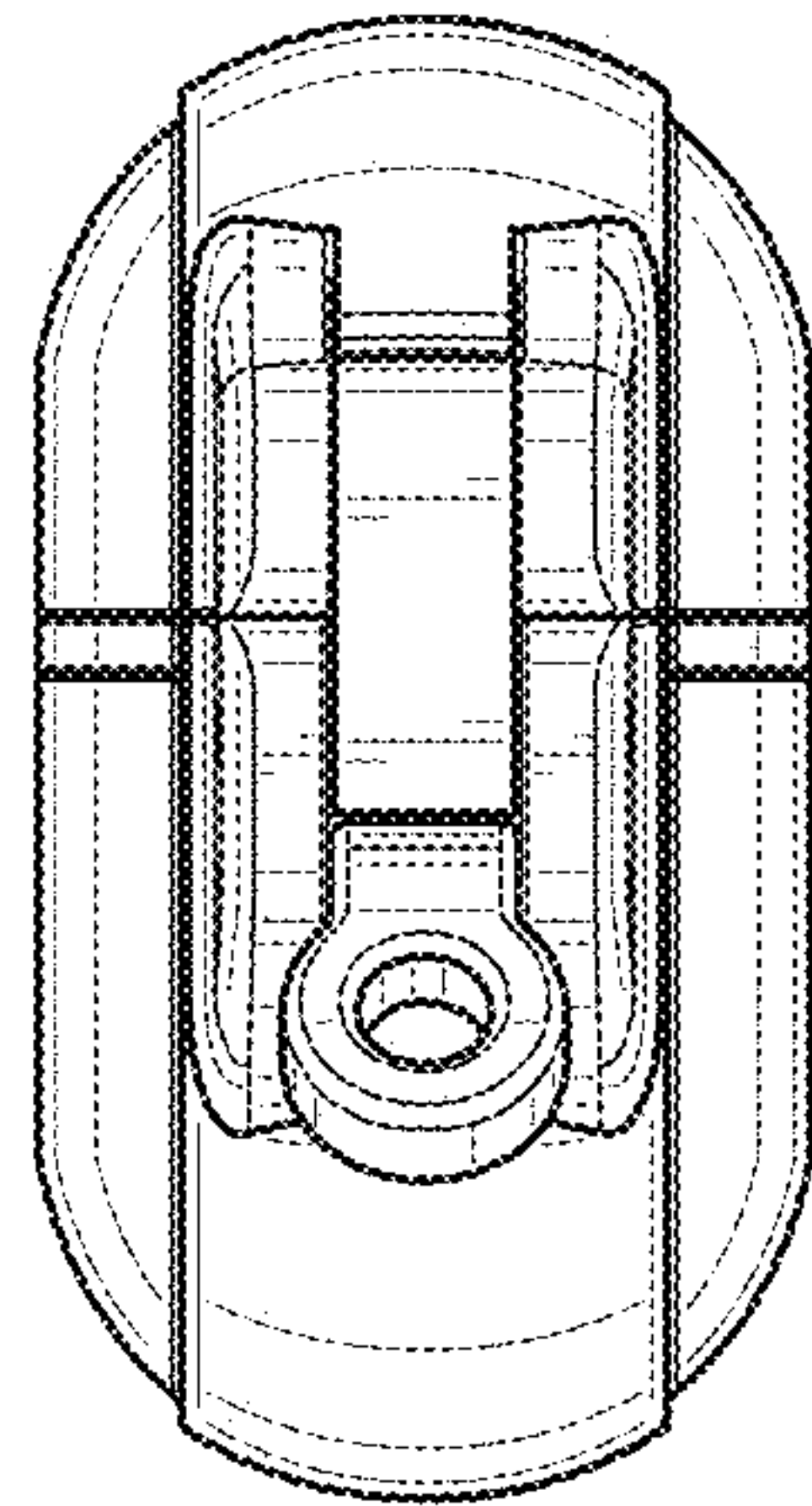


FIG. 5

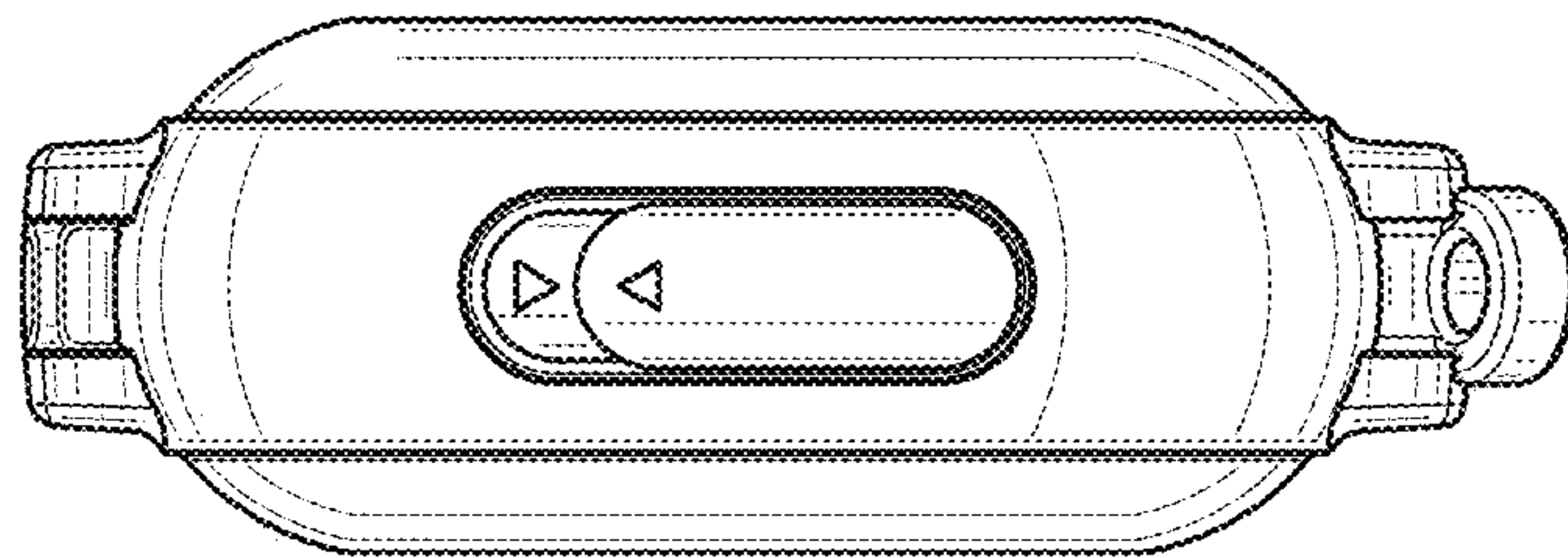


FIG. 6

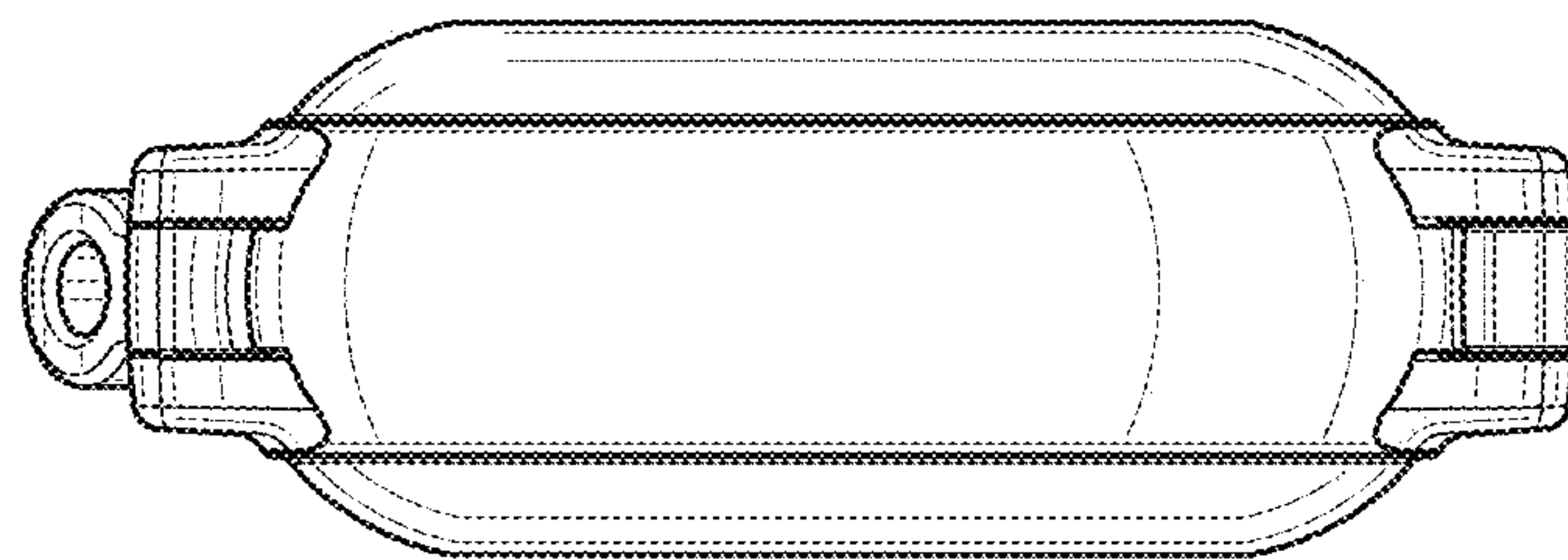


FIG. 7

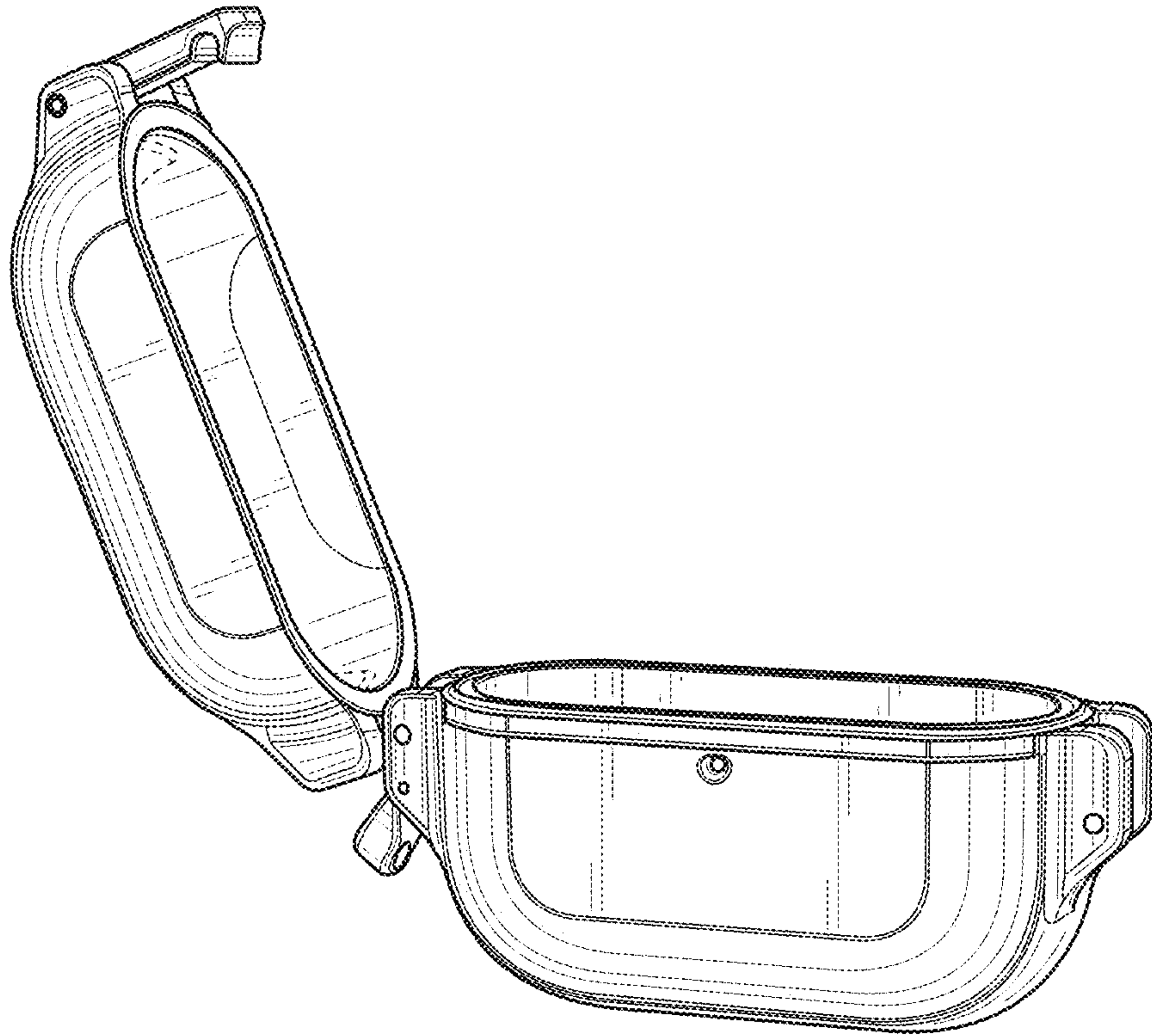


FIG. 8

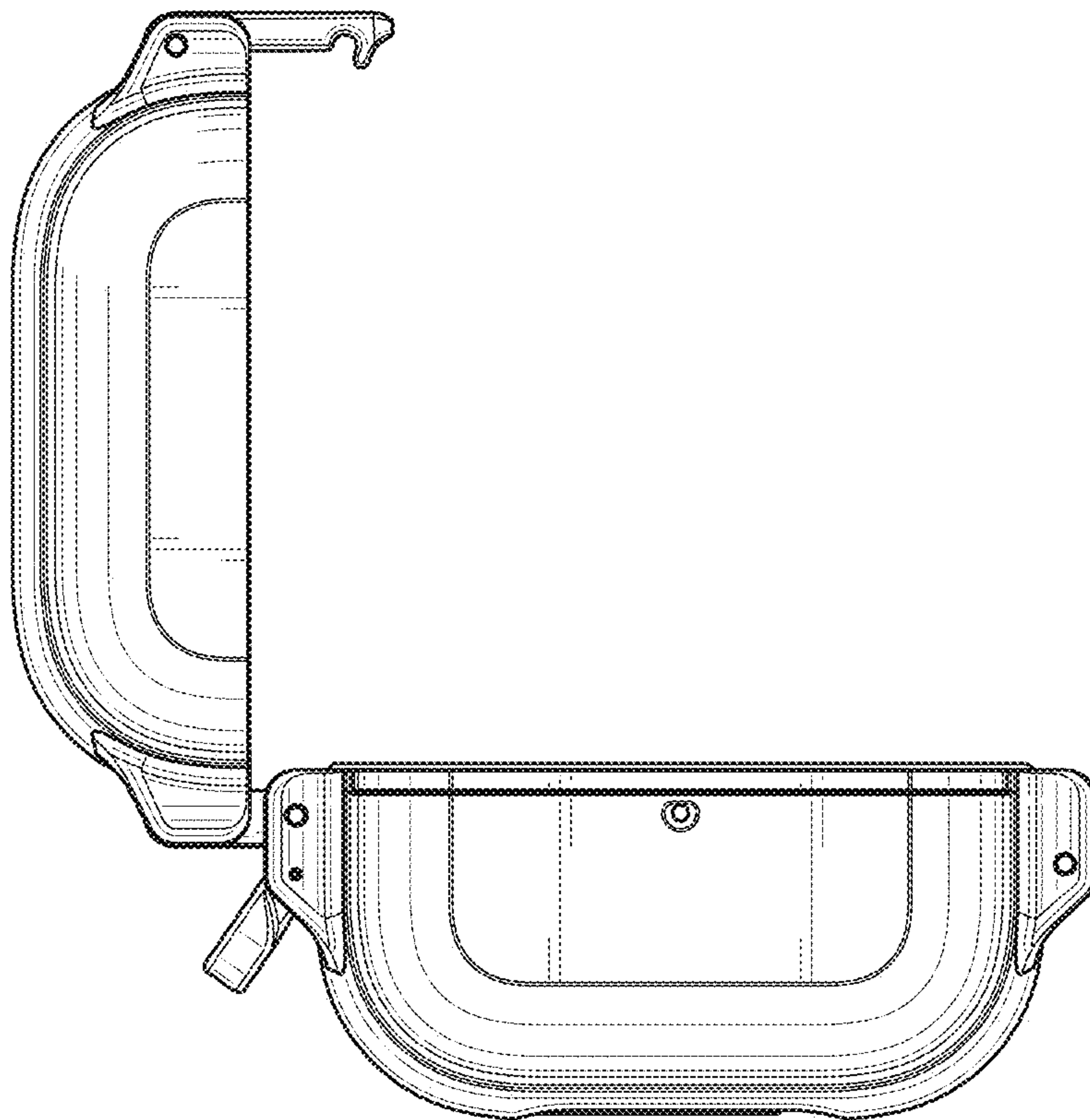


FIG. 9

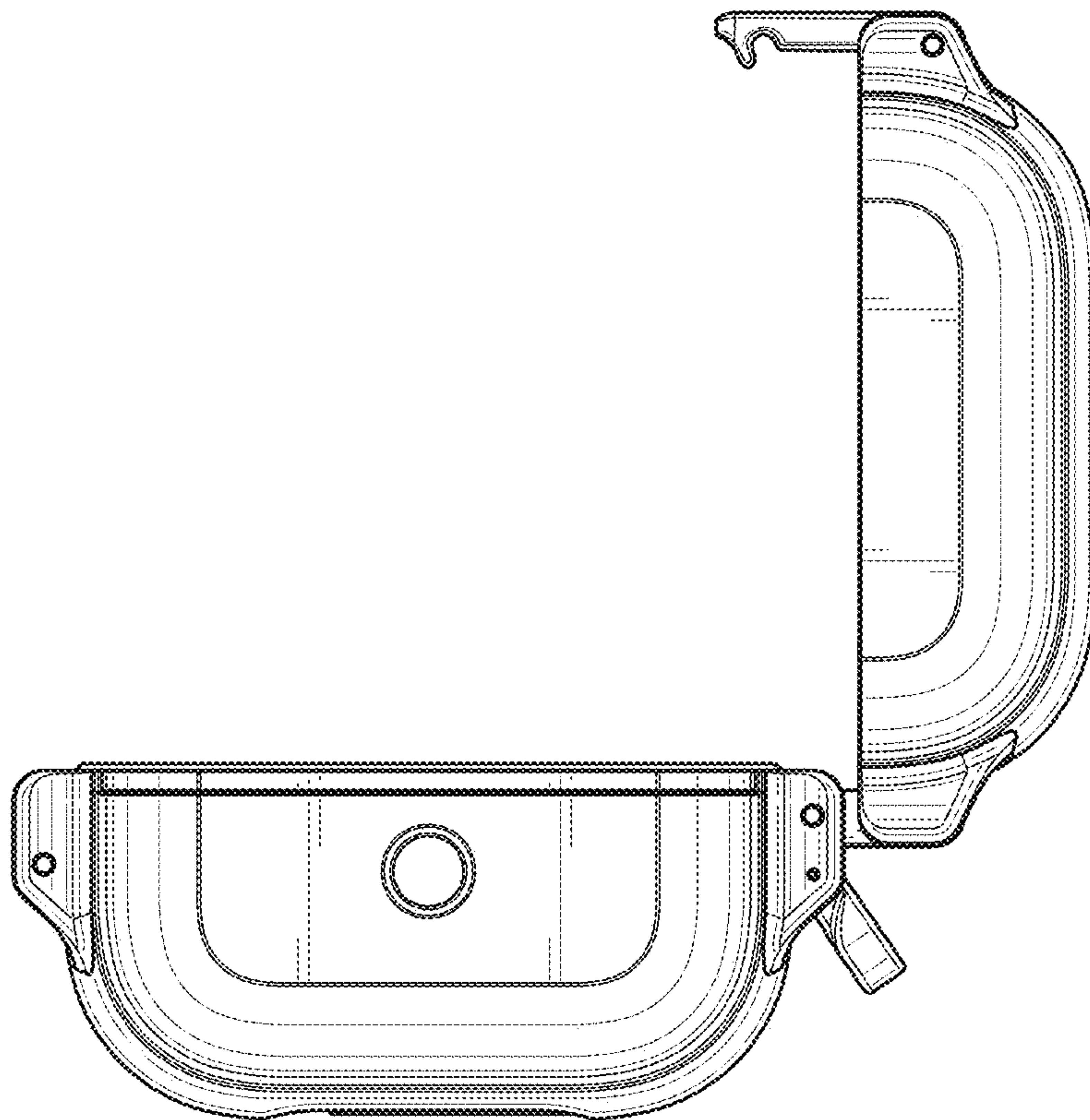


FIG. 10

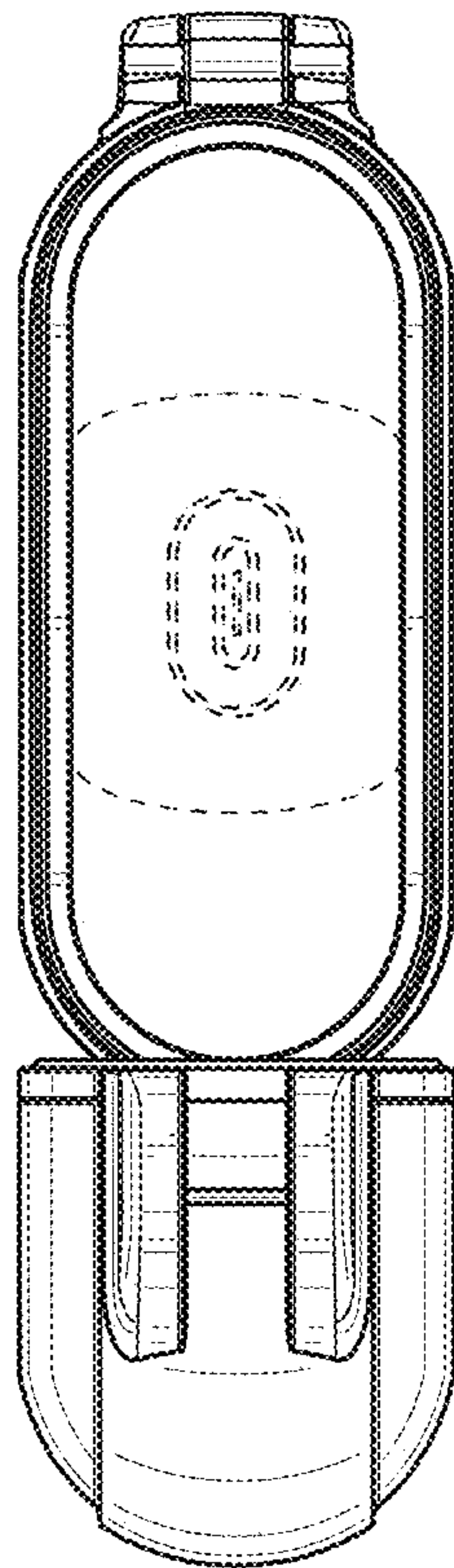


FIG. 11

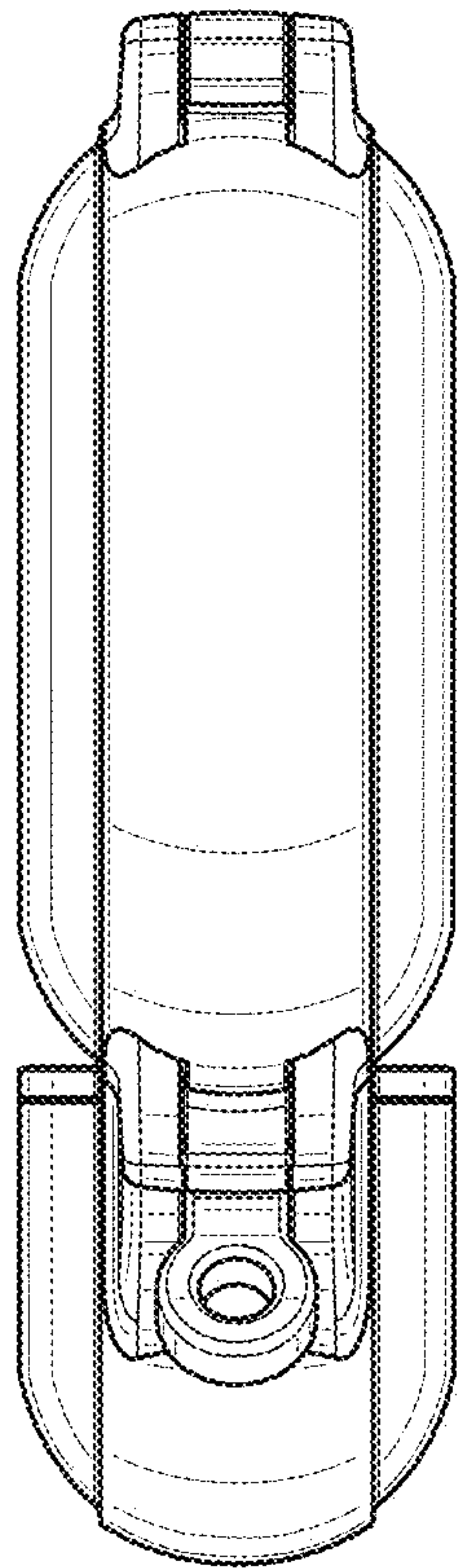


FIG. 12

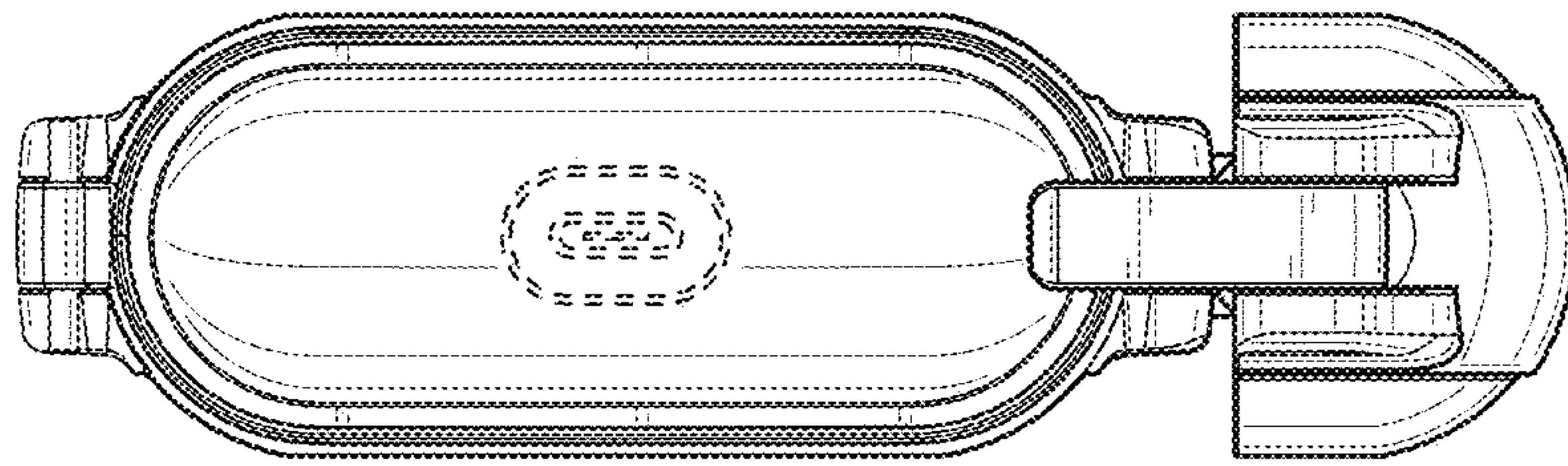


FIG. 13

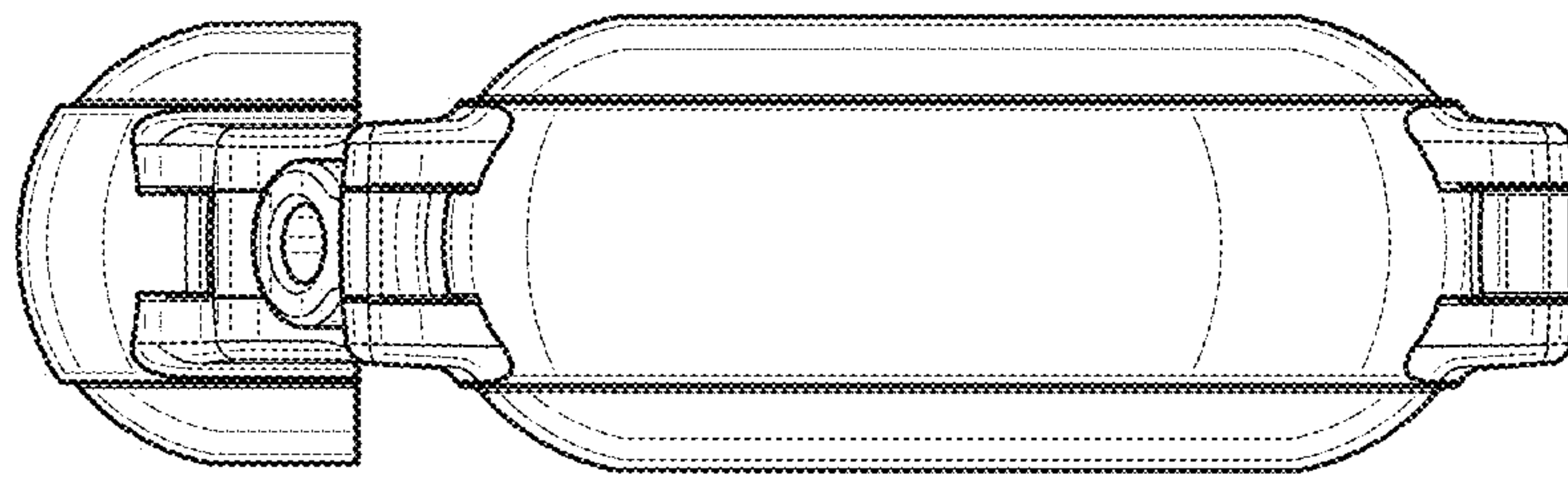


FIG. 14