



US00D986712S

(12) **United States Design Patent**
Huang

(10) **Patent No.:** **US D986,712 S**

(45) **Date of Patent:** **** May 23, 2023**

(54) **BALANCE SUPPORT BLOCK**

(71) Applicant: **Dashao Huang**, Guangdong (CN)

(72) Inventor: **Dashao Huang**, Guangdong (CN)

(**) Term: **15 Years**

(21) Appl. No.: **29/844,408**

(22) Filed: **Jun. 28, 2022**

(51) **LOC (14) Cl.** **08-05**

(52) **U.S. Cl.**
USPC **D8/354**

(58) **Field of Classification Search**
USPC D8/382, 381, 380, 373, 360, 359, 358,
D8/354, 349; D21/399, 420, 421, 422,
D21/685, 686, 694
CPC A63B 25/00; Y10T 29/49826
See application file for complete search history.

(56) **References Cited**

U.S. PATENT DOCUMENTS

- 2,651,790 A * 9/1953 Geiger B63B 34/56
280/841
- 2,988,258 A * 6/1961 Witzke B65D 43/0222
206/520
- 3,038,264 A * 6/1962 Bussinger A43B 5/18
D21/422
- D351,790 S * 10/1994 Haindl B65D 85/8046
D9/425
- D368,410 S * 4/1996 Shiner D9/455
- 6,210,069 B1 * 4/2001 Speck B65D 19/18
410/82
- 6,609,688 B1 * 8/2003 Mazzella B21D 37/14
248/688
- D484,361 S * 12/2003 Jeung B65D 43/0222
D7/300.2
- D626,821 S * 11/2010 Hikoyama A43B 5/18
D8/380
- D627,212 S * 11/2010 Hikoyama D8/380
- D676,093 S * 2/2013 Kulzer D21/694
- D678,436 S * 3/2013 Kulzer D21/694

- D798,718 S * 10/2017 Foster D9/520
- D850,920 S * 6/2019 Foster D9/520
- 10,336,498 B2 * 7/2019 Foster B65D 21/0209
- D886,922 S 6/2020 Hwang
- D908,480 S * 1/2021 Held D9/416
- D964,102 S * 9/2022 Jinkins D7/510

(Continued)

OTHER PUBLICATIONS

Amazon, Balance Buckets, Get Out! Walking Bucket Stilts 2 Pack (Pair) Blue Stepper Balance Bucket Shoe Stilts Toy, Cup Walkers Can Stamper Cups, <https://a.co/d/ilO4LMC>, May 11, 2021 (Year: 2021).*

Primary Examiner — Keli L Hill

Assistant Examiner — Harold E Blackwell, II

(74) *Attorney, Agent, or Firm* — Che-Yang Chen; Law Office of Michael Chen

(57) **CLAIM**

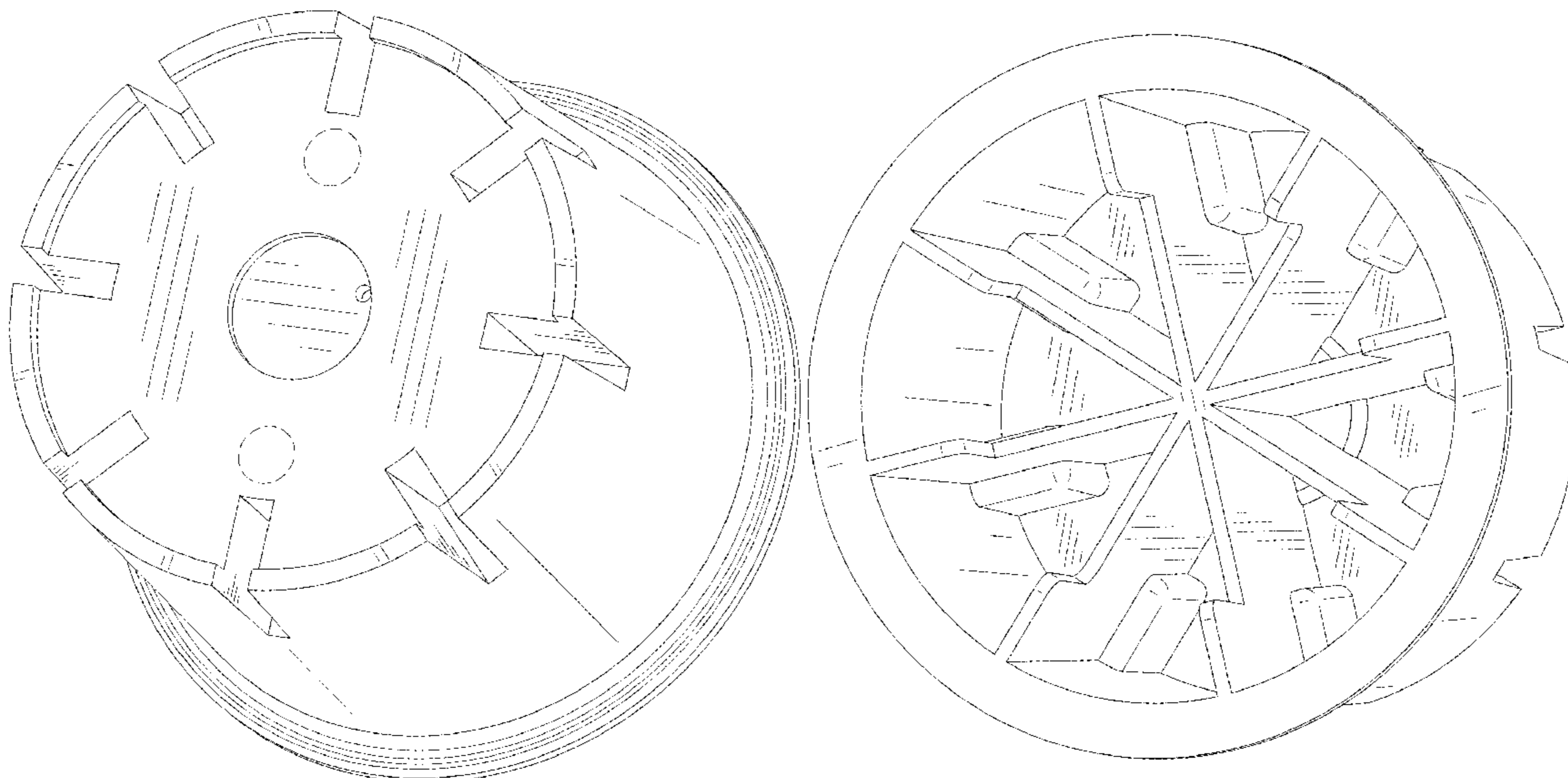
The ornamental design for a balance support block, as shown and described.

DESCRIPTION

FIG. 1 is a perspective view of the balance support block showing my new design;
FIG. 2 is a perspective view thereof from another angle;
FIG. 3 is a front elevational view thereof;
FIG. 4 is a rear elevational view thereof;
FIG. 5 is a left side elevational view thereof;
FIG. 6 is a right side elevational view thereof;
FIG. 7 is a top plan view thereof;
FIG. 8 is a bottom plan view thereof; and,
FIG. 9 is a perspective view of a superimposed configuration thereof.

The broken lines shown in the drawings represent portions of the balance support block that form no part of the claimed design.

1 Claim, 9 Drawing Sheets



(56)

References Cited

U.S. PATENT DOCUMENTS

2008/0172132 A1* 7/2008 McKee A63B 25/00
623/28
2010/0062910 A1* 3/2010 Carbonero A63B 25/00
482/76
2020/0231375 A1* 7/2020 Held B65D 85/8046

* cited by examiner

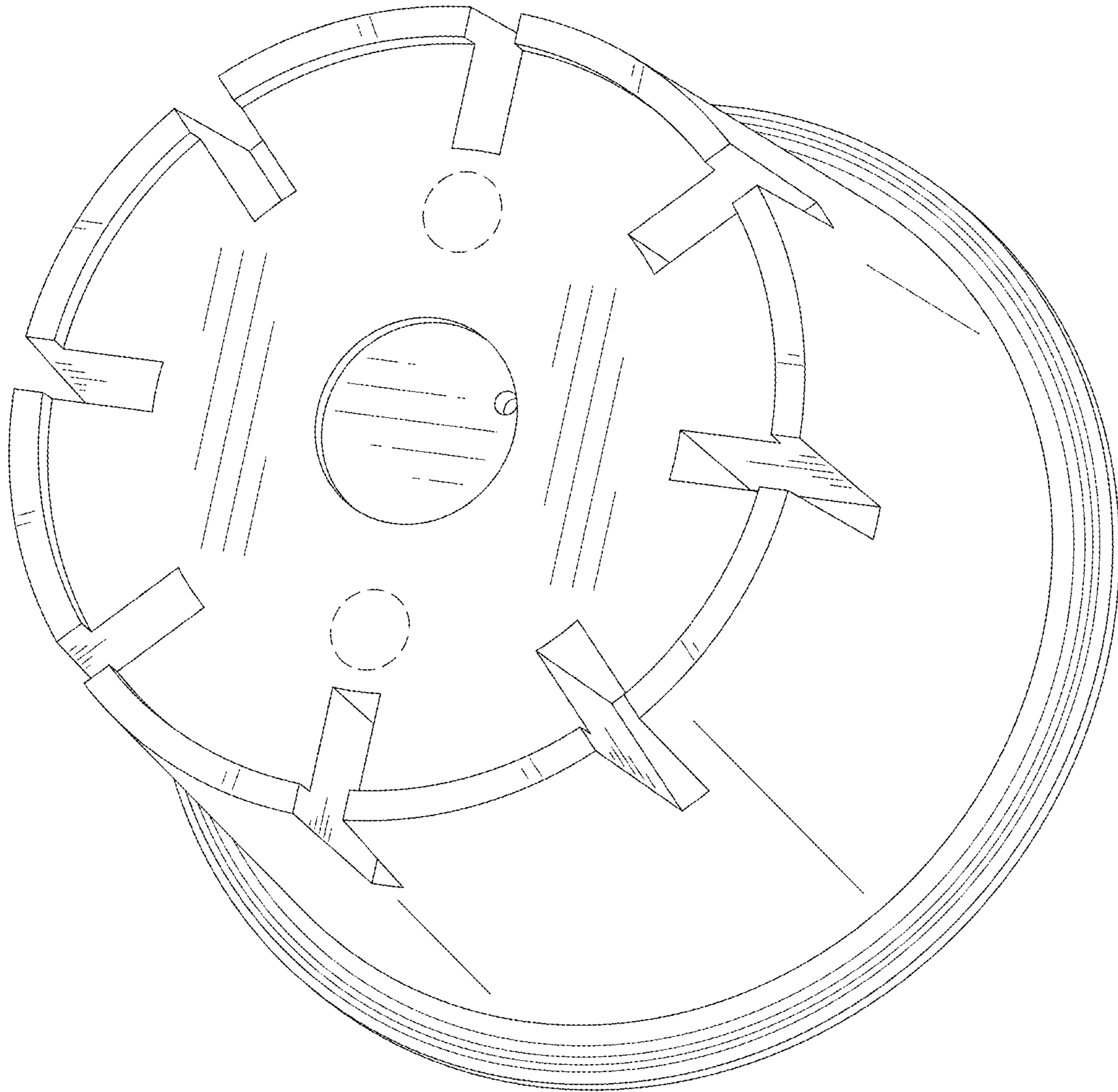


FIG. 1

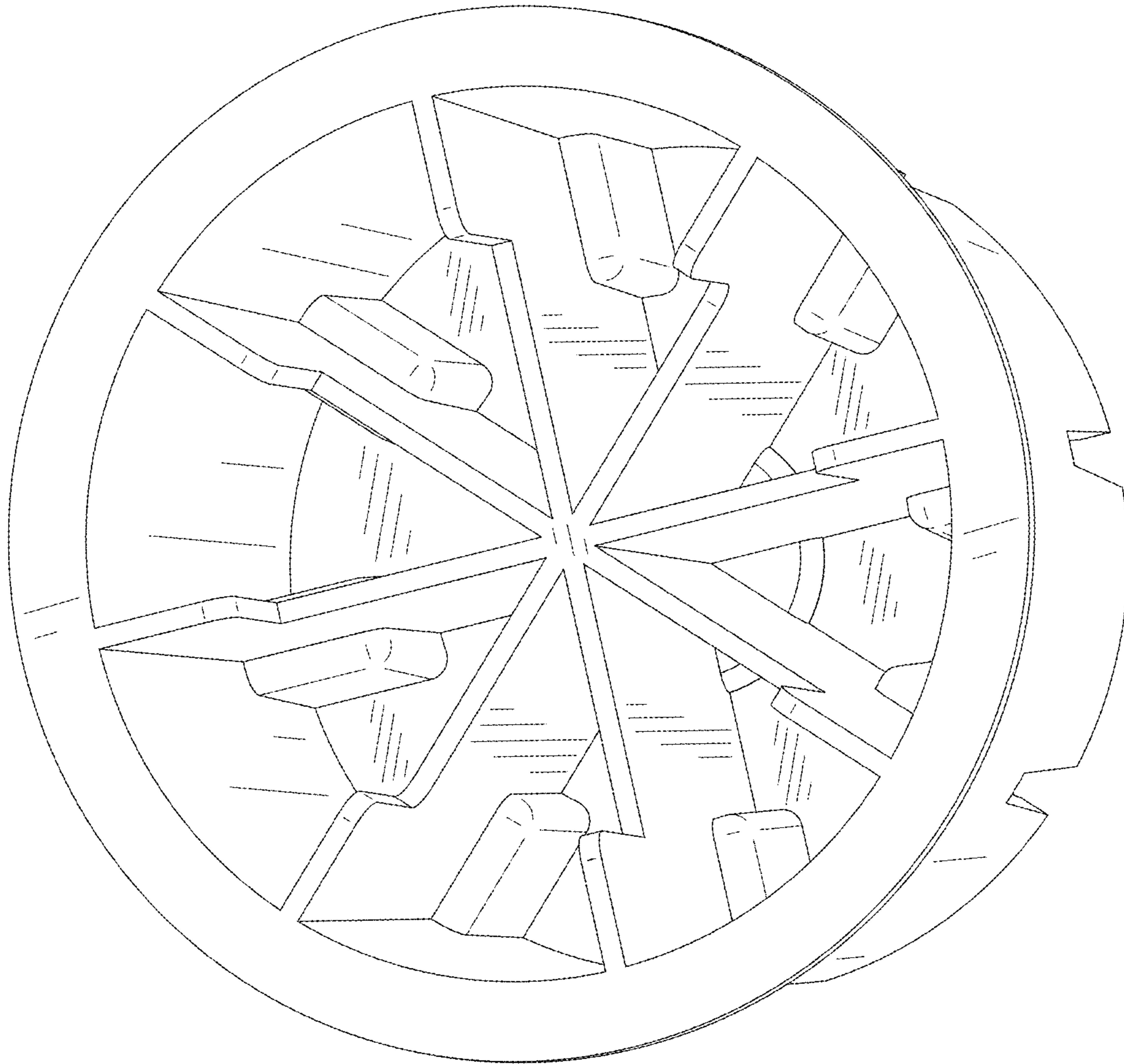


FIG. 2

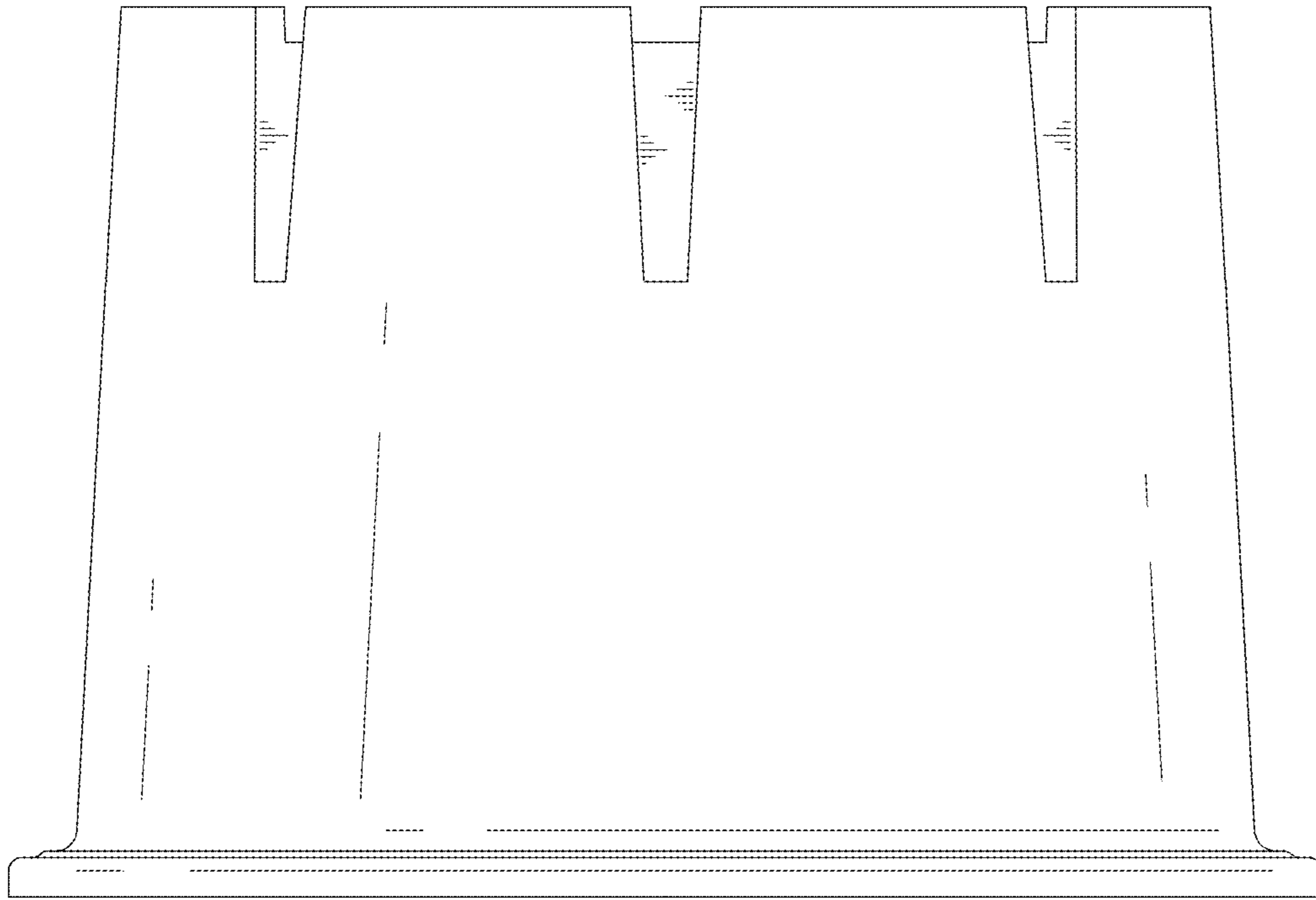


FIG. 3

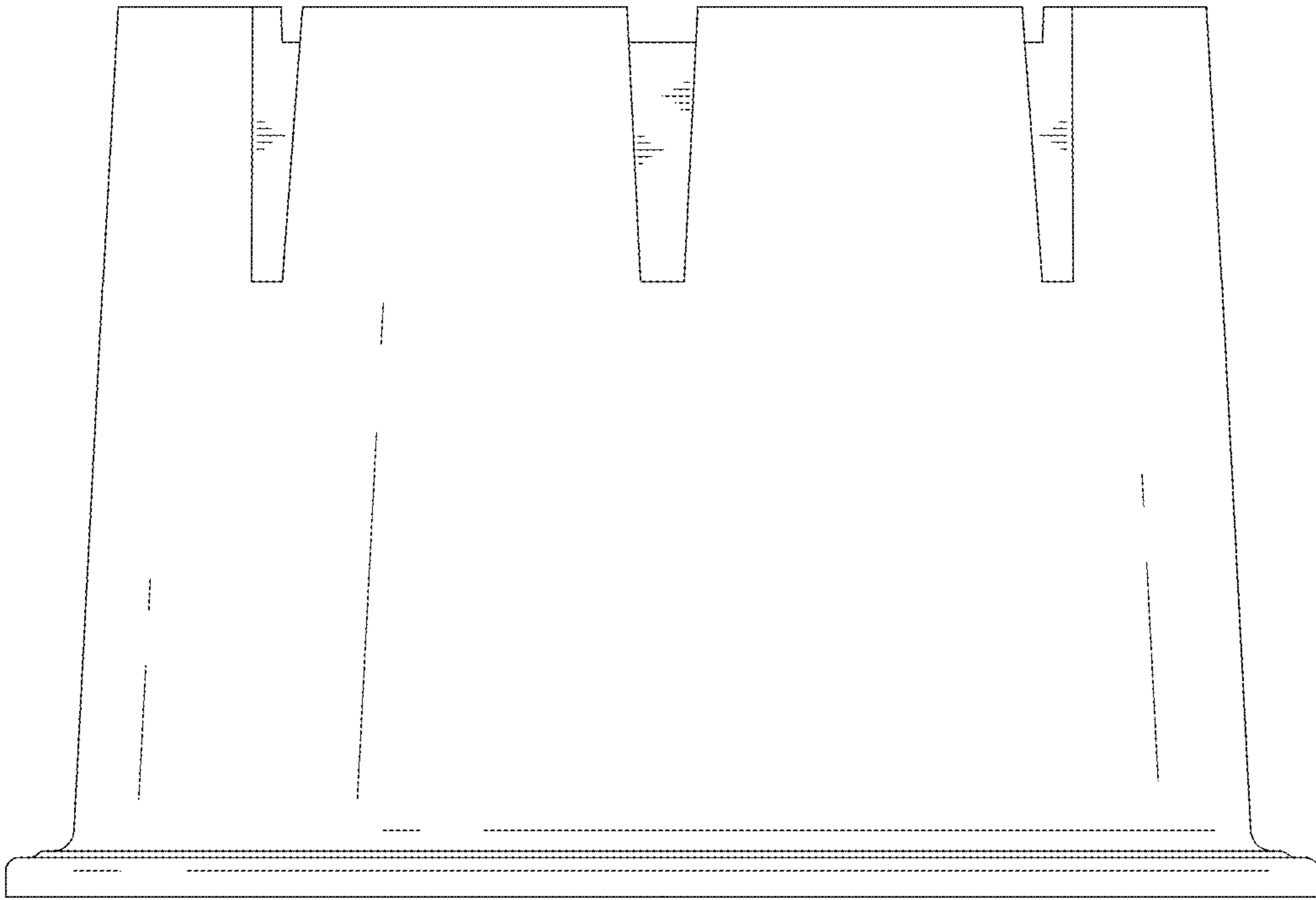


FIG. 4

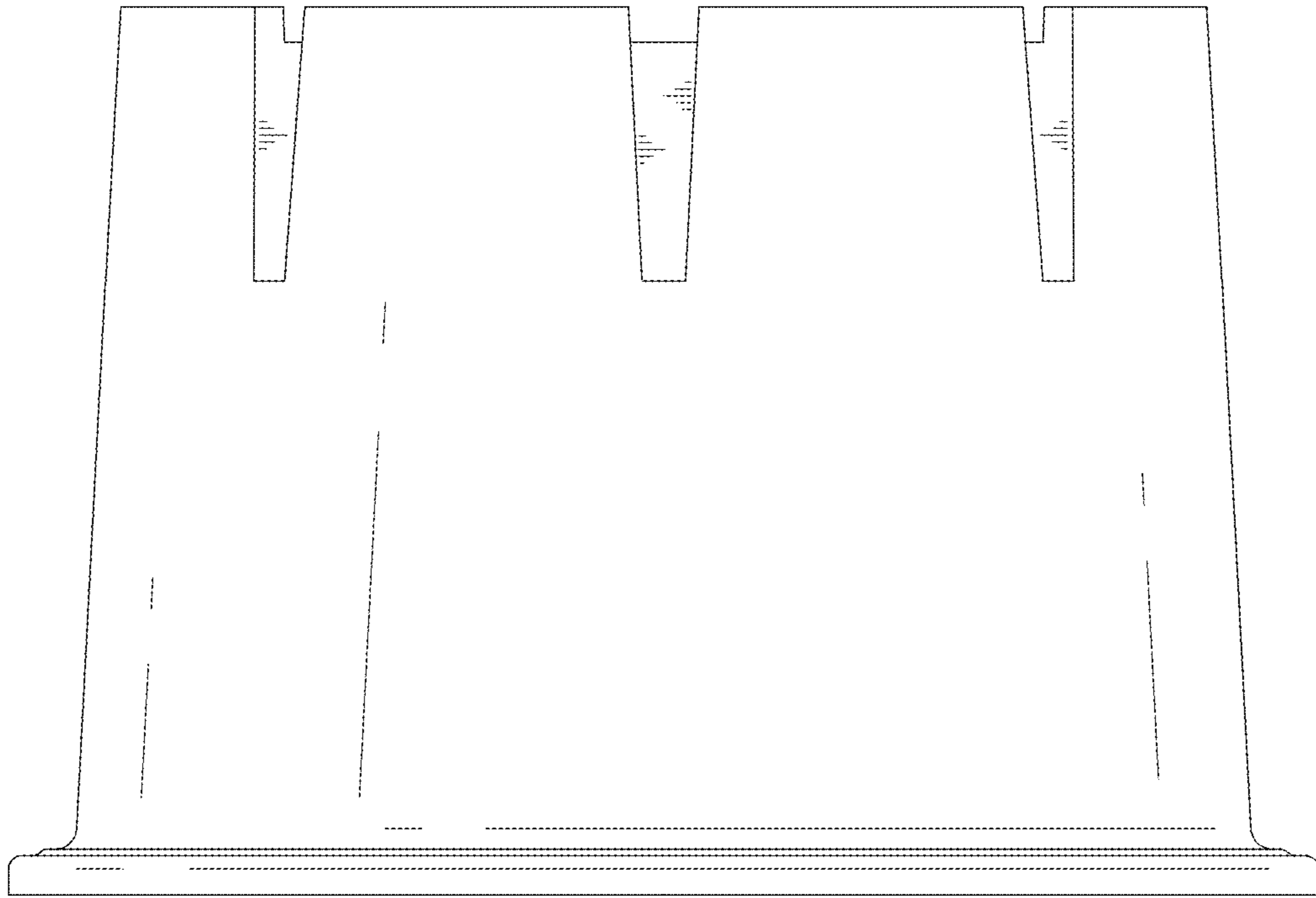


FIG. 5

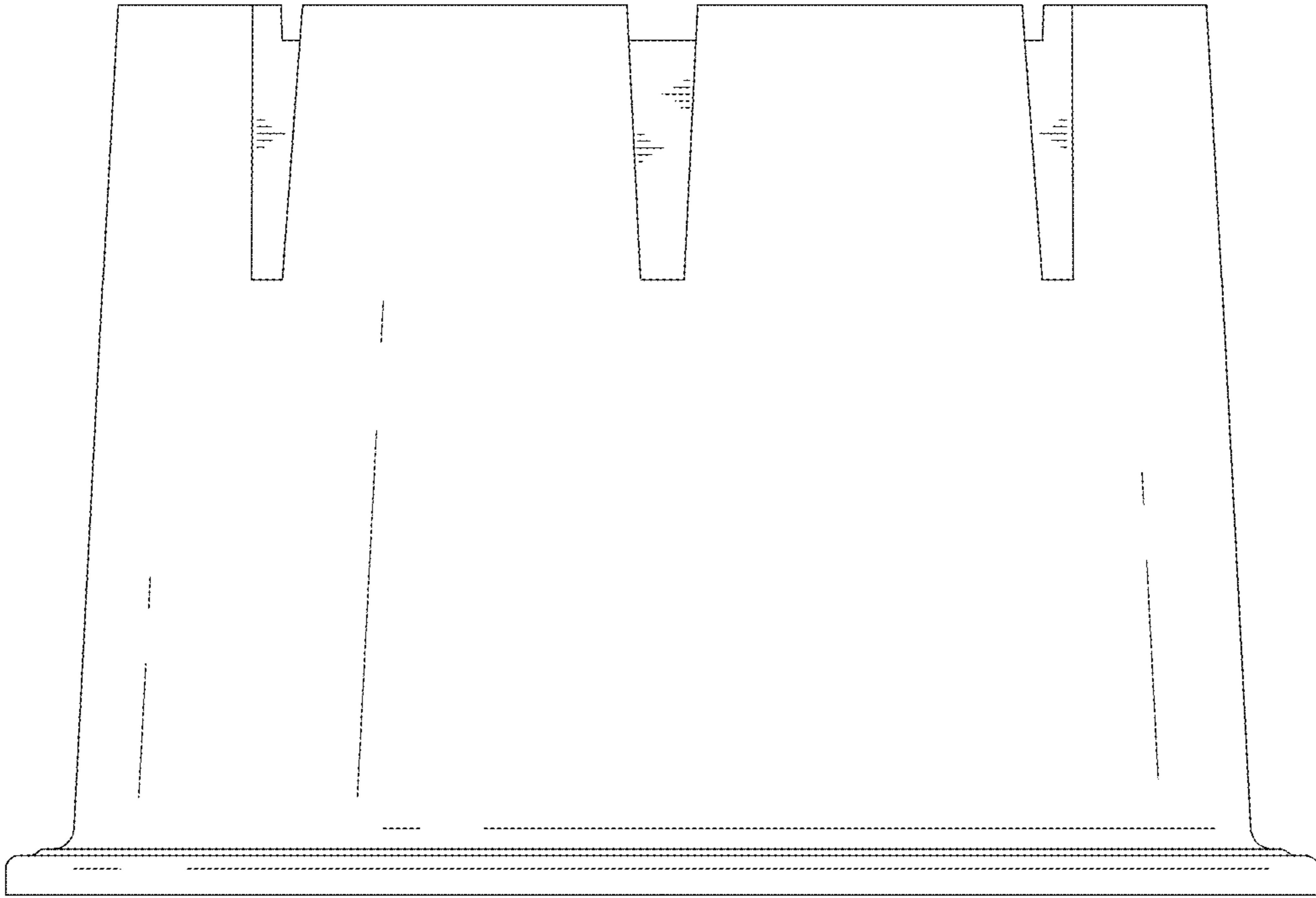


FIG. 6

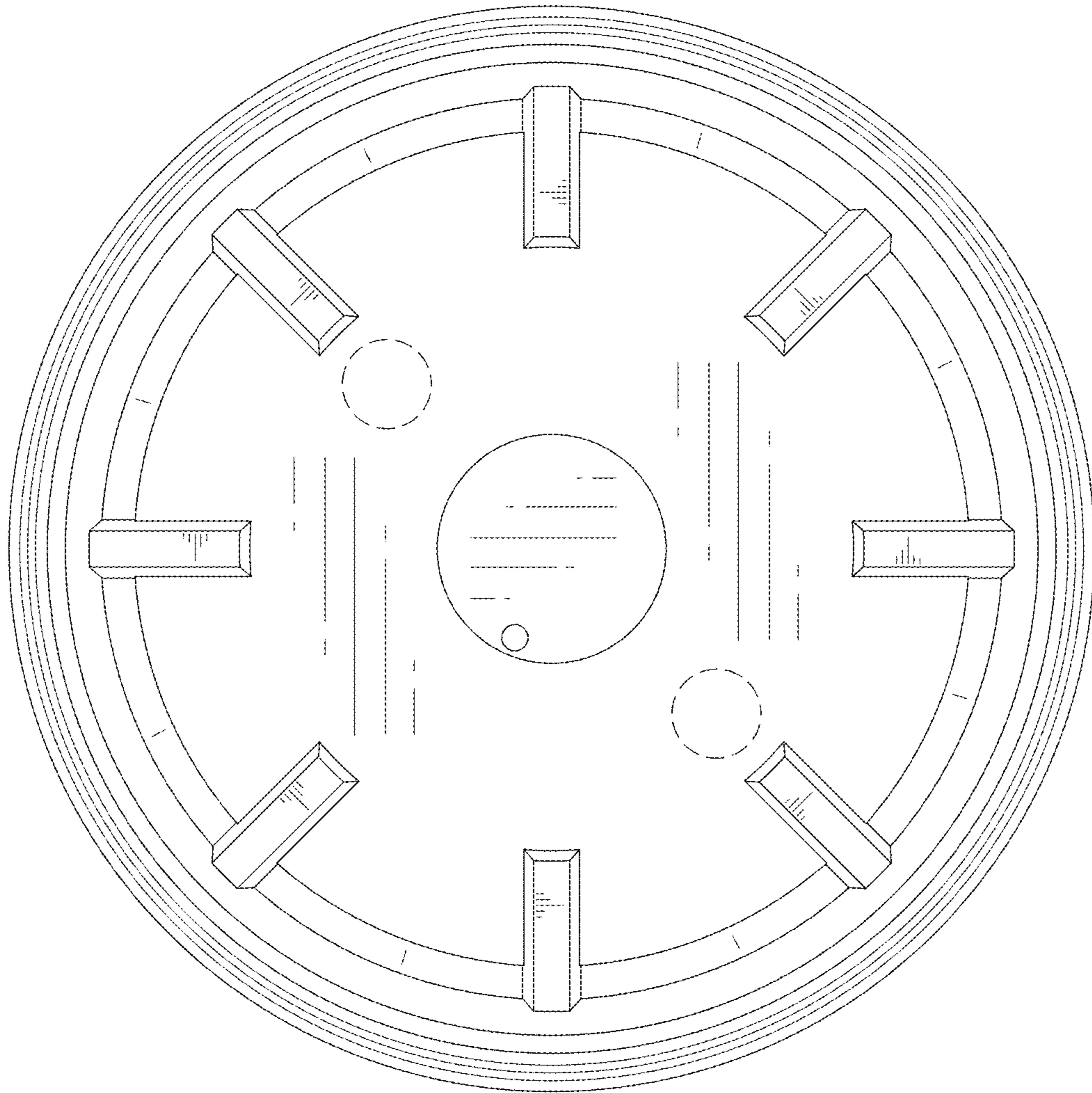


FIG. 7

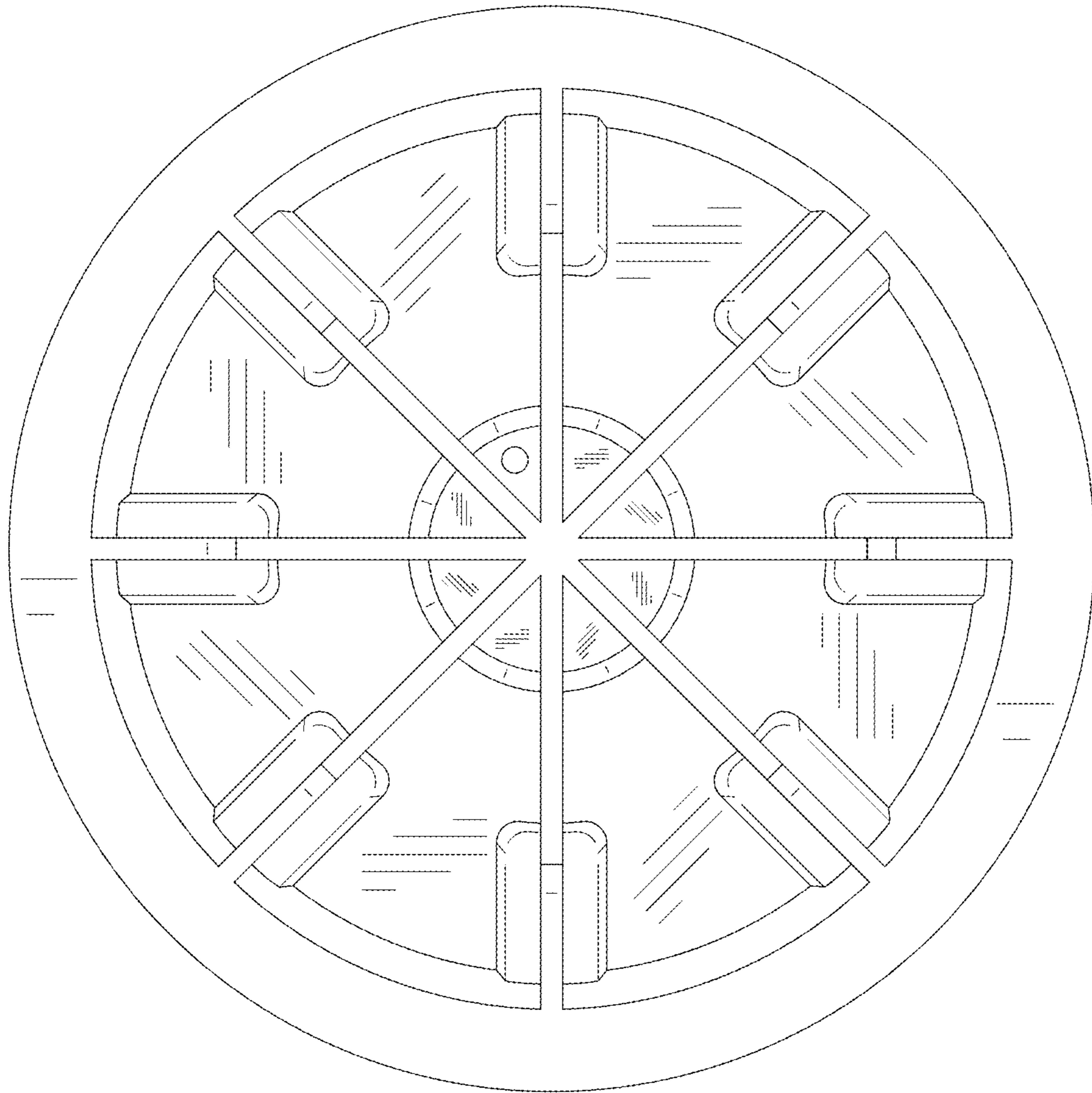


FIG. 8

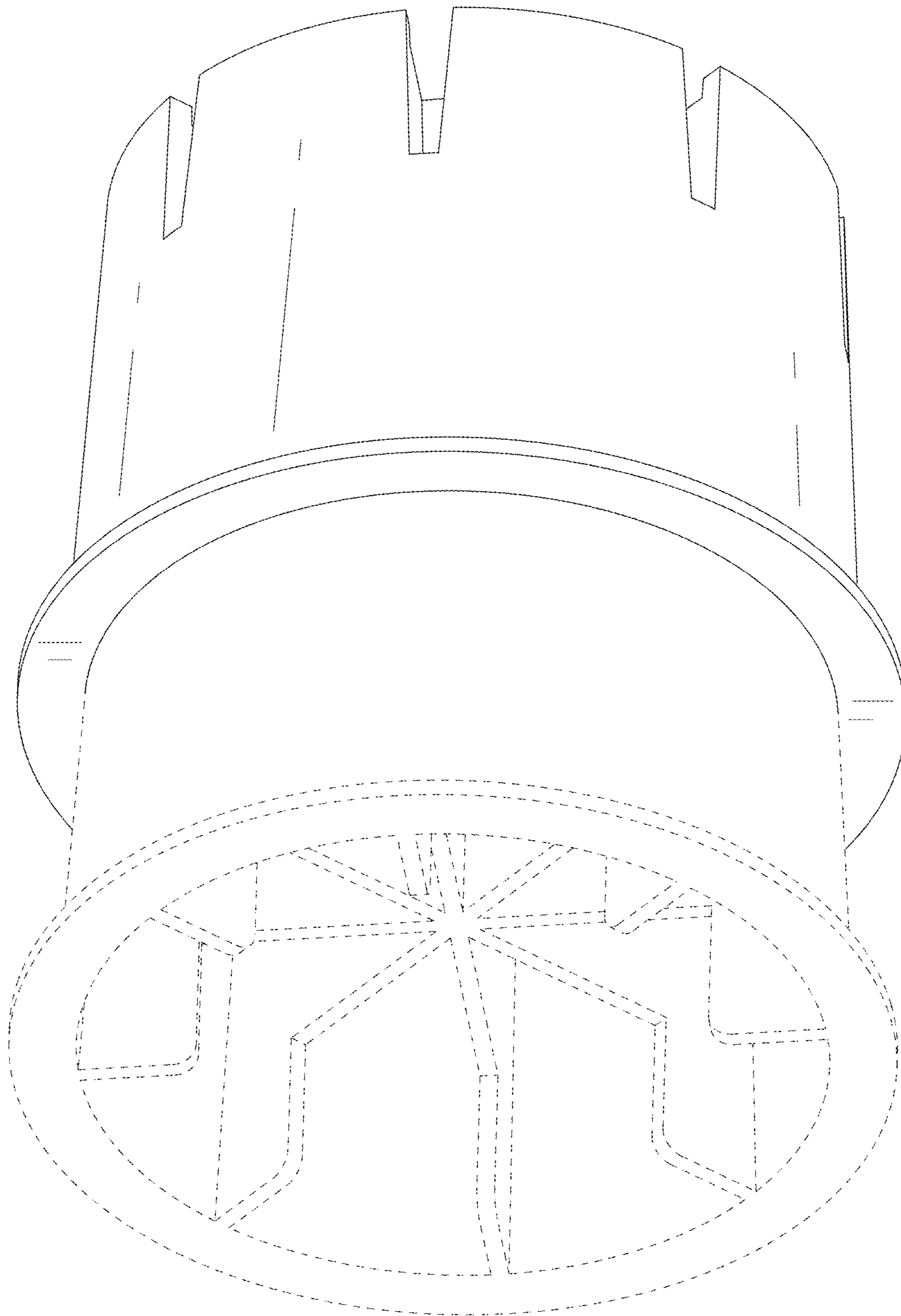


FIG. 9