



US00D986710S

(12) **United States Design Patent** (10) **Patent No.:** **US D986,710 S**
Wang (45) **Date of Patent:** **** May 23, 2023**

(54) **FLAT POST BRACKET**
(71) Applicant: **Huitang Wang**, Xiamen (CN)
(72) Inventor: **Huitang Wang**, Xiamen (CN)
(**) Term: **15 Years**
(21) Appl. No.: **29/787,066**
(22) Filed: **Jun. 4, 2021**
(51) **LOC (14) Cl.** **08-05**
(52) **U.S. Cl.**
USPC **D8/354**
(58) **Field of Classification Search**
USPC D8/61, 67, 354, 349, 355, 363-366, 373,
D8/380-382, 323; D25/113, 119, 126,
D25/164; D14/250-253; D6/549-550,
D6/546
CPC E04C 5/18; E04C 5/168; E04C 2002/047;
E04C 2/384; E04C 5/201; F16B 12/24;
F16B 21/086; F16B 12/22; F16B
19/1081; F16B 12/40; F16B 5/0607;
H04B 1/3888; H04B 1/3877
See application file for complete search history.

(56) **References Cited**
U.S. PATENT DOCUMENTS
D533,547 S * 12/2006 Sergi D8/354
D534,904 S * 1/2007 Crawford D8/354
D830,158 S * 10/2018 Klein D8/380
D832,970 S * 11/2018 Jen D22/108
D883,449 S * 5/2020 Newcomb D23/259
D904,172 S * 12/2020 Jenkins D8/354
D913,077 S * 3/2021 Pavlov D8/349
D913,078 S * 3/2021 Pavlov D8/349

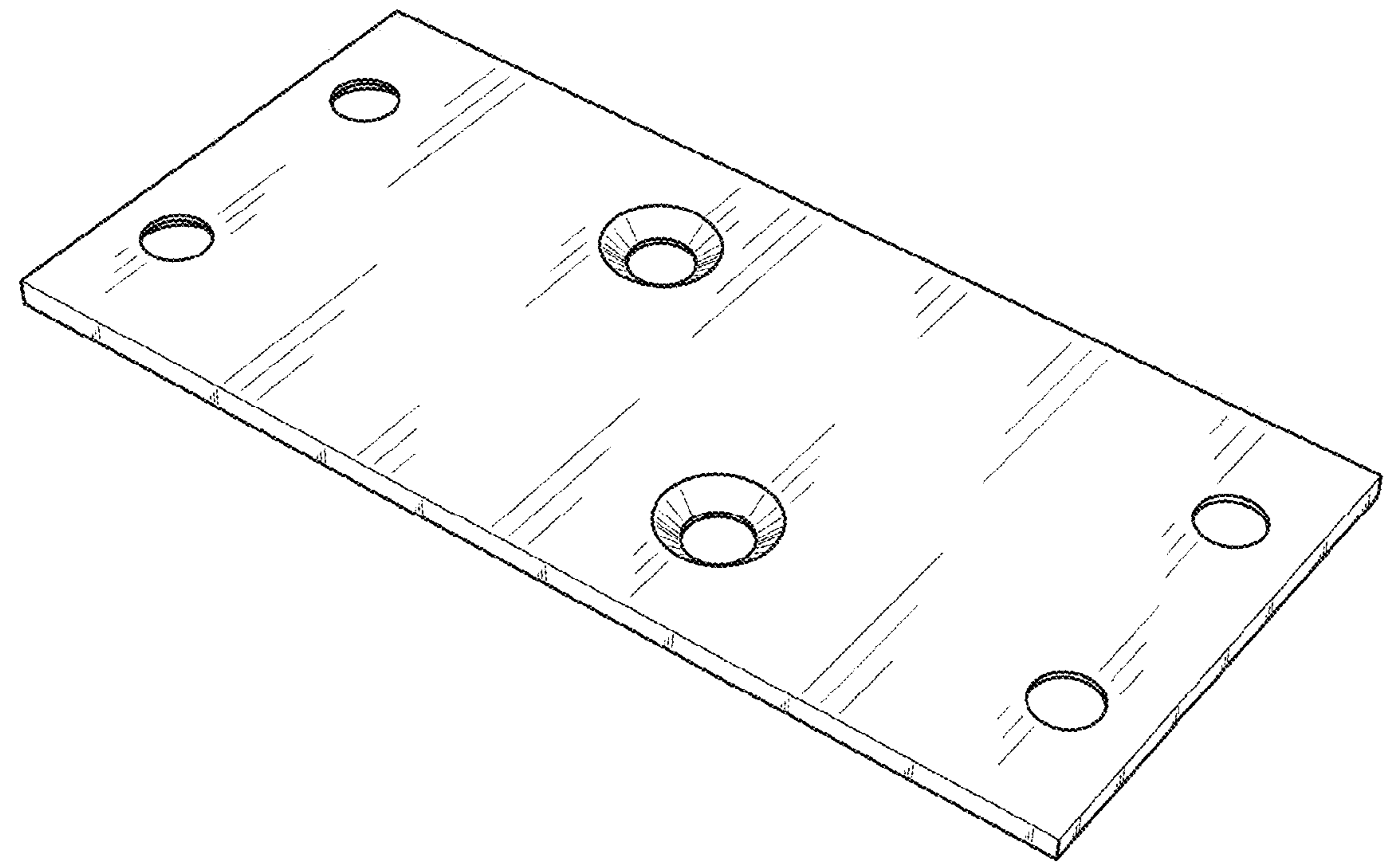
D913,079 S * 3/2021 Patching D15/21
D920,082 S * 5/2021 Kellerman D8/354
D927,289 S * 8/2021 Scarlett D8/354
D936,459 S * 11/2021 Gosling D8/354
D937,071 S * 11/2021 Pavlov D8/354
D937,072 S * 11/2021 Pavlov D8/354
D937,664 S * 12/2021 Brunskill D8/354
D945,606 S * 3/2022 Bellows D24/128
D947,004 S * 3/2022 Pavlov D8/354
D964,149 S * 9/2022 Boudot D8/354
D969,592 S * 11/2022 Sheth D8/366
D971,710 S * 12/2022 Zhang D8/349
D977,346 S * 2/2023 Snow D10/64

* cited by examiner
Primary Examiner — Karen S Acker
Assistant Examiner — Elizabeth S Ko
(74) *Attorney, Agent, or Firm* — Bayramoglu Law Offices
LLC

(57) **CLAIM**
The ornamental design for a flat post bracket, as shown and
described.

DESCRIPTION
FIG. 1 is a top perspective view of a flat post bracket
showing my new design;
FIG. 2 is a top view thereof;
FIG. 3 is a bottom view thereof;
FIG. 4 is a front view thereof, a rear view being identical to
the front view;
FIG. 5 is a right side view thereof, a left side view being
identical to the right side view; and,
FIG. 6 is a bottom perspective view thereof.

1 Claim, 6 Drawing Sheets



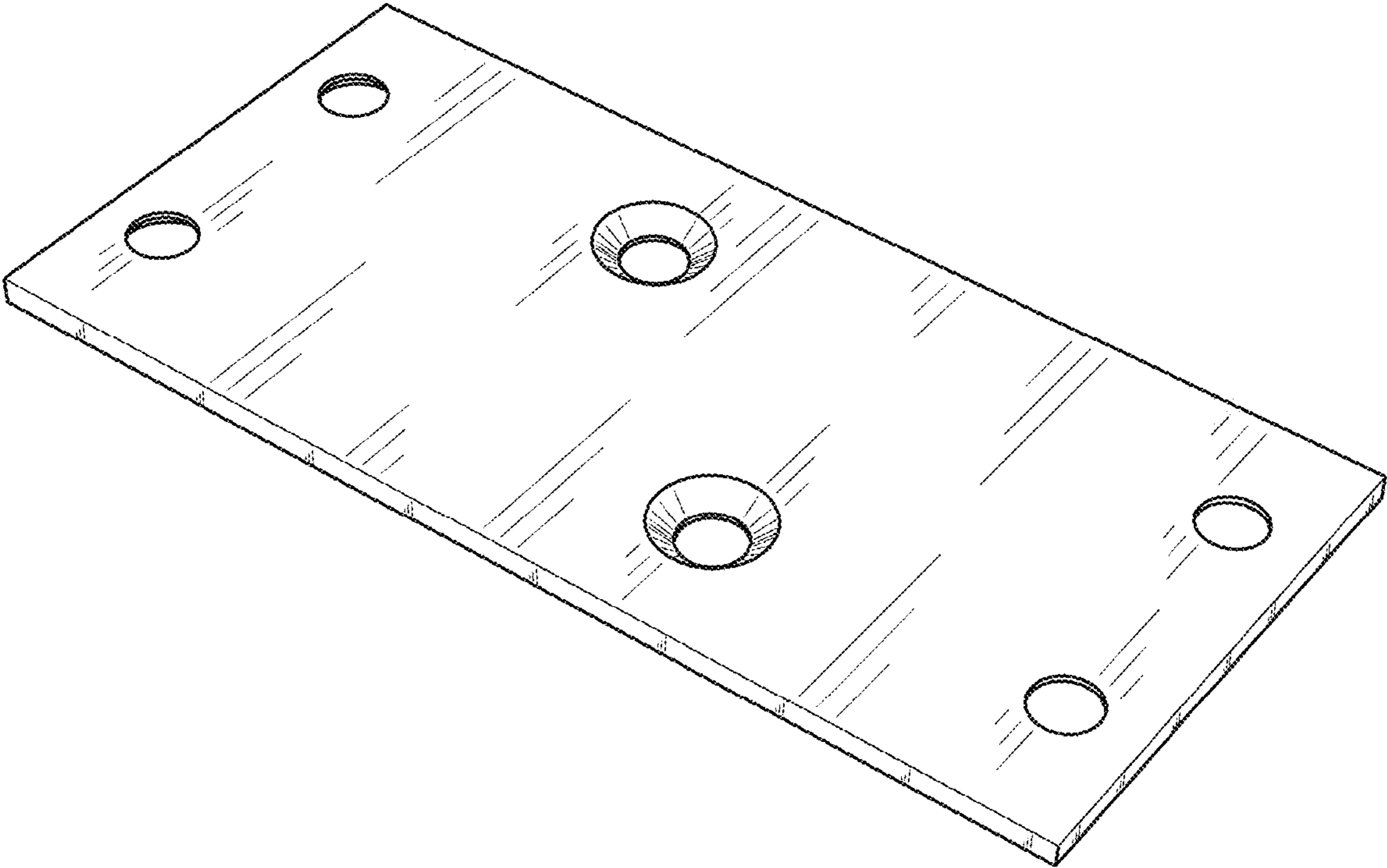


Fig. 1

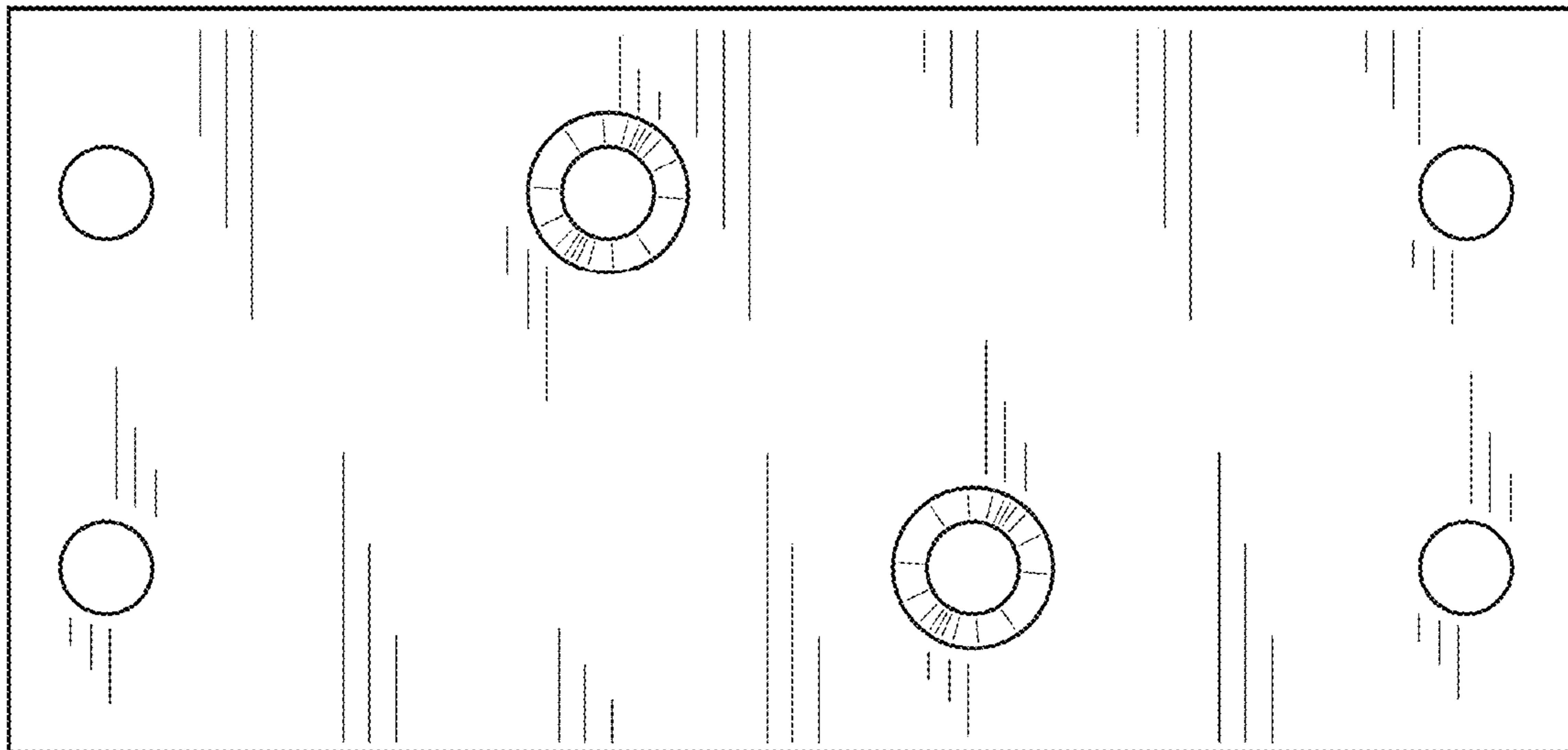


Fig. 2

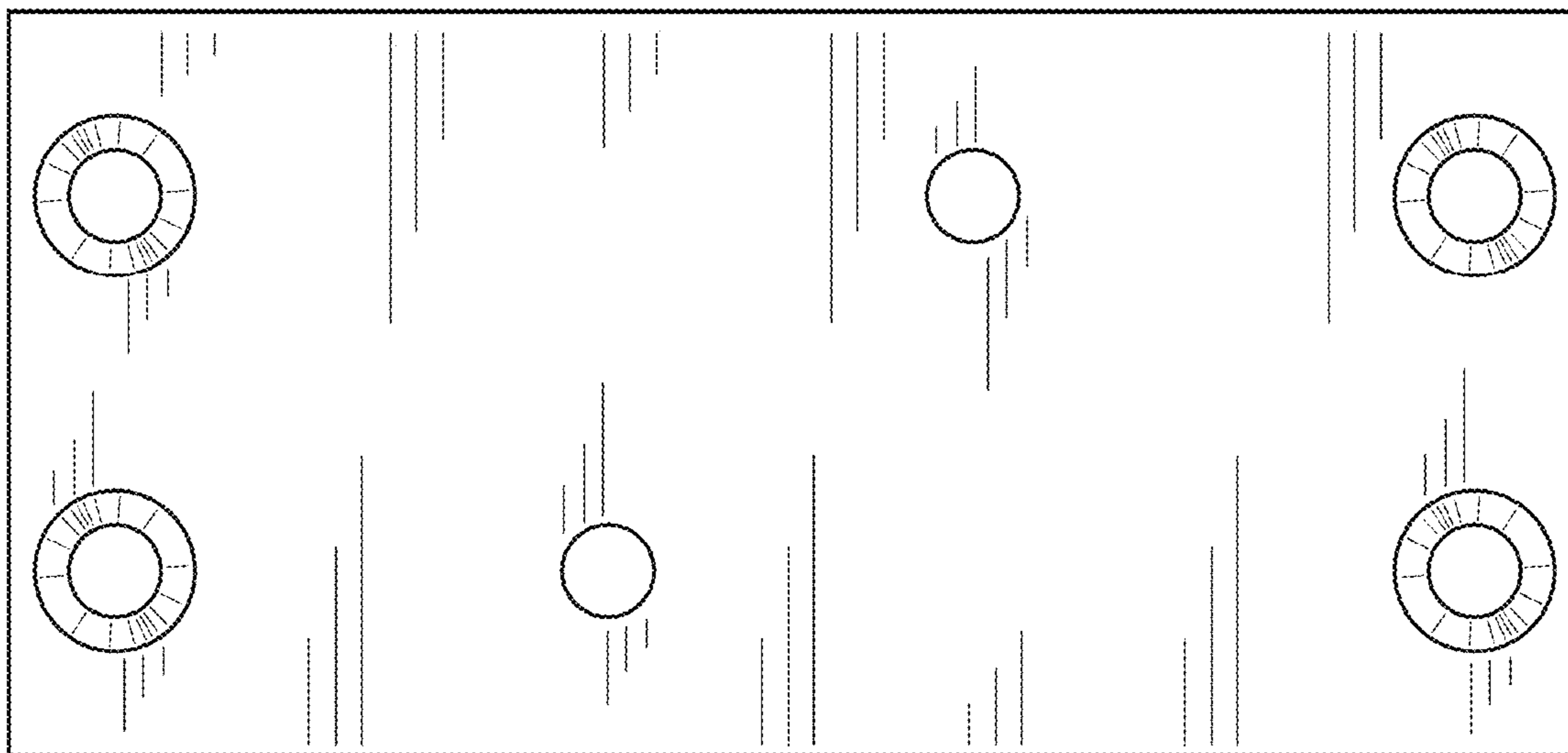


Fig. 3



Fig. 4



Fig. 5

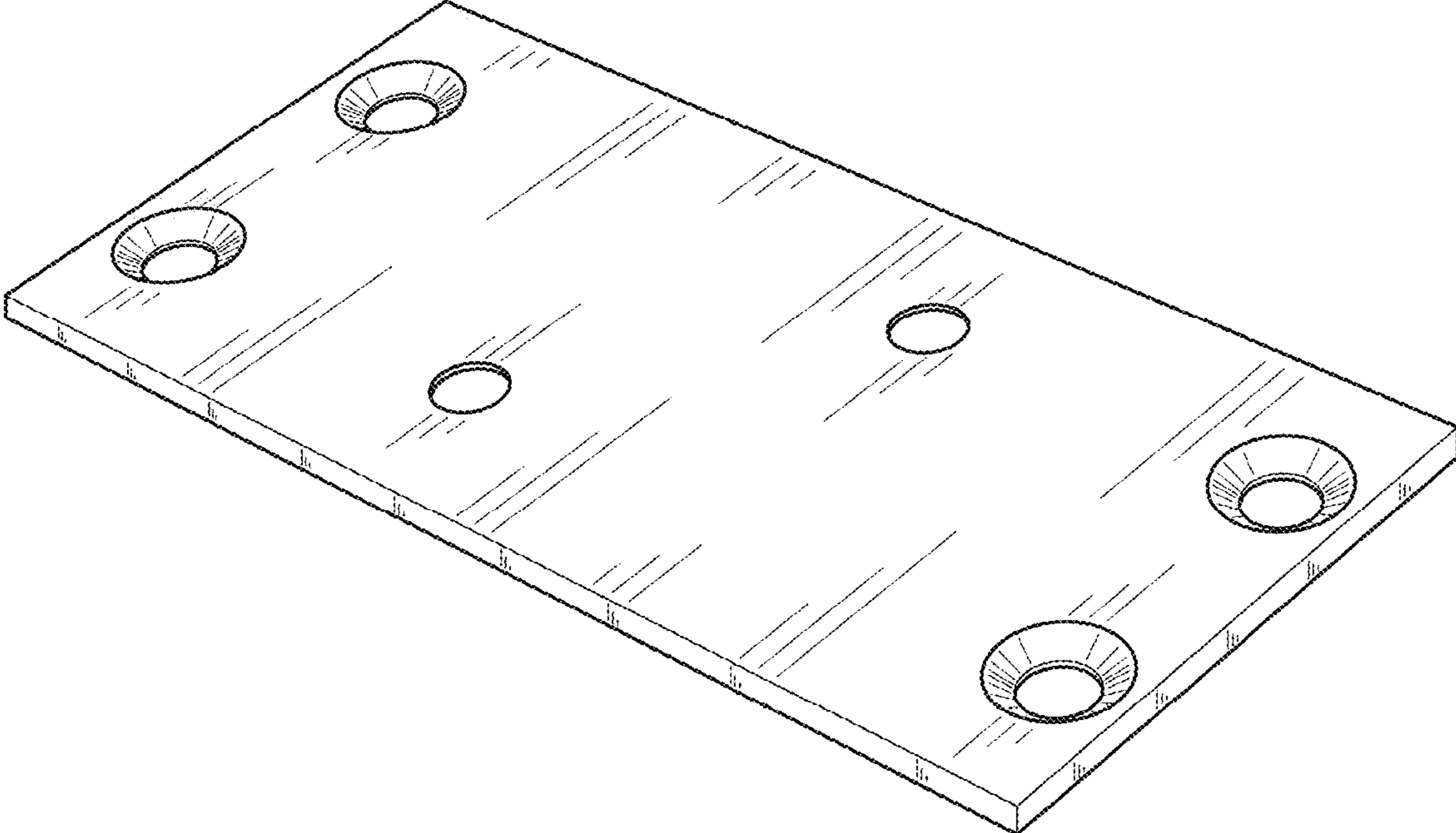


Fig. 6