



US00D986709S

(12) **United States Design Patent** (10) **Patent No.:** **US D986,709 S**
Prout et al. (45) **Date of Patent:** **** May 23, 2023**

(54) **ULTRASOUND THERAPEUTIC TREATMENT SECURITY KEY**

(71) Applicant: **Ulthera, Inc.**, Mesa, AZ (US)

(72) Inventors: **Brian Lee Prout**, Gilbert, AZ (US); **Alexander Michael Diener**, Seattle, WA (US); **Kristin Marie Will**, Seattle, WA (US); **Spencer Michael Denton**, Seattle, WA (US); **Luke David Springer**, Seattle, WA (US); **Sydney Minnis**, Seattle, WA (US); **Daniel S. Davidson**, Mill Creek, WA (US)

(73) Assignee: **Ulthera, Inc.**, Mesa, AZ (US)

(**) Term: **15 Years**

(21) Appl. No.: **29/811,154**

(22) Filed: **Oct. 12, 2021**

Related U.S. Application Data

(62) Division of application No. 29/636,016, filed on Feb. 5, 2018, now Pat. No. Des. 940,535.

(51) **LOC (14) Cl.** **08-07**

(52) **U.S. Cl.**
USPC **D8/347**; D14/432

(58) **Field of Classification Search**
USPC D8/330, 331, 347, 348; D14/110, 114, D14/125, 240, 242, 299–302, 314,
(Continued)

(56) **References Cited**

U.S. PATENT DOCUMENTS

4,871,886 A * 10/1989 Vaughan G07F 15/003
200/43.05
D332,045 S * 12/1992 Moore D8/347
(Continued)

Primary Examiner — Richard E Chilcot

(74) *Attorney, Agent, or Firm* — Knobbe Martens Olson & Bear LLP

(57) **CLAIM**

The ornamental design for an ultrasound therapeutic treatment security key, as shown and described.

DESCRIPTION

FIG. 1 is a right front perspective view of an embodiment of an ultrasound therapeutic treatment security key embodying the new design.

FIG. 2 is a left rear perspective view thereof.

FIG. 3 is a front view thereof.

FIG. 4 is a rear view.

FIG. 5 is a left view.

FIG. 6 is a right view.

FIG. 7 is a top view.

FIG. 8 is a bottom view.

FIG. 9 is a right front perspective view of a second embodiment of an ultrasound therapeutic treatment security key embodying the new design.

FIG. 10 is a left rear perspective view thereof.

FIG. 11 is a front view thereof.

FIG. 12 is a rear view.

FIG. 13 is a left view.

FIG. 14 is a right view.

FIG. 15 is a top view.

FIG. 16 is a bottom view.

FIG. 17 is a right front perspective view of a third embodiment of an ultrasound therapeutic treatment security key embodying the new design.

FIG. 18 is a left rear perspective view thereof.

FIG. 19 is a front view thereof.

FIG. 20 is a rear view.

FIG. 21 is a left view.

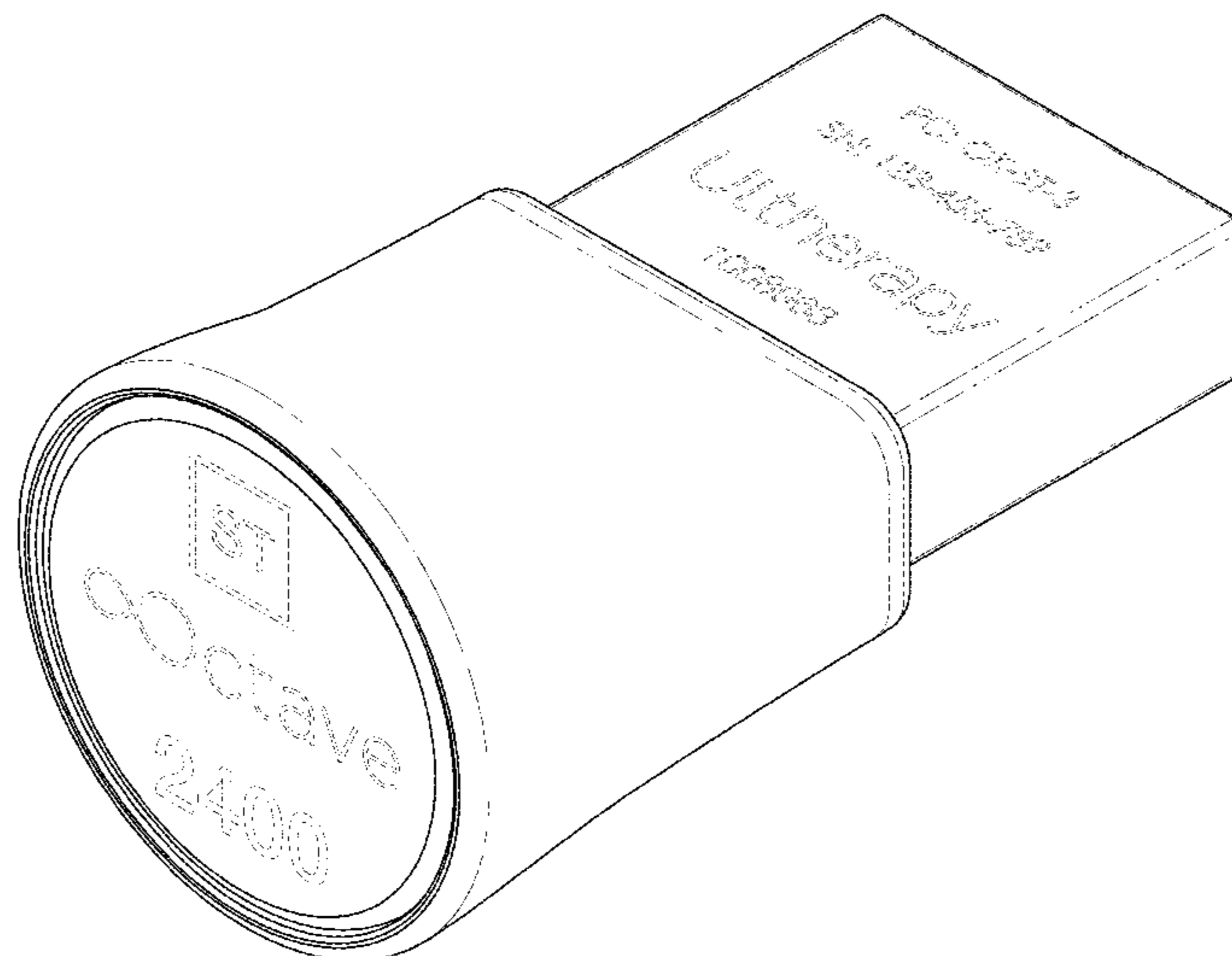
FIG. 22 is a right view.

FIG. 23 is a top view; and,

FIG. 24 is a bottom view.

Broken lines are used to illustrate features of the ultrasound therapeutic treatment security key which form no part of the claimed design.

1 Claim, 21 Drawing Sheets



- (52) **U.S. Cl.**
 CPC *G06F 21/86* (2013.01)
- (58) **Field of Classification Search**
 USPC D14/348–370, 432–438, 478–480, 496;
 70/51, 336, 344, 348, 391, 393, 402, 408
 CPC G06K 19/06196; G06K 19/072; G06K
 19/0721; G06K 19/0722; G06K 19/0723;
 G06K 19/0724; G06K 19/0725; G06K
 19/0726; G06K 19/0727; G06K 19/0728;
 G06K 19/073; G06K 19/07309; G06K
 19/077; G06K 19/07701; G06K
 19/07715; G06K 19/0772; G06K
 19/07724; G06K 19/07726; G06K
 19/07728; G06F 21/86; G06F 21/87;
 G06F 21/77–80; G06F 21/85–88; G06F
 21/00; G06Q 20/3229; G06Q 20/34;
 G06Q 20/341; G06Q 20/346; G06Q
 20/349; G06Q 20/3563; G06Q 20/3567;
 G06Q 20/357; G06Q 20/3576; H05K
 5/026; H05K 5/0256; H05K 5/0265;
 H05K 5/0269; H05K 5/0273; H05K
 5/0278; H05K 5/0282; H05K 5/0286;
 H05K 5/0291; H05K 5/0295; H05K 5/03;
 H05K 5/04; H05K 5/06; H05K 5/061;
 H05K 5/062; H05K 5/063; H05K 5/064;
 H05K 5/065; H05K 5/066; H05K 5/067;
 H05K 5/068; H05K 5/069; H05K 7/00;
 H05K 7/005; H05K 7/02; H05K 7/023;
 H05K 7/026; H05K 7/04; H05K 7/10;
 H05K 7/1418; H05K 7/142; H05K
 7/1424; H05K 7/1427–1439; H05K
 7/1461; H05K 7/1464–1474; H05K
 7/1479; H05K 7/1481; H05K
 7/1485–1488; H05K 2201/09745; H05K
 2201/09754; H05K 2201/09763; H05K
 2201/09772; H05K 2201/098; H05K
 2201/09818; H05K 2201/10; H05K
 2201/10007; H04N 2201/216; A44B
 15/00–007; E05B 35/00; E05B 35/001;

E05B 35/008; E05B 35/006; E05B
 35/007; E05B 35/06; E05B 19/00; E05B
 19/0017; E05B 19/0041; E05B 19/0047;
 E05B 27/02

See application file for complete search history.

(56)

References Cited

U.S. PATENT DOCUMENTS

D429,622	S	*	8/2000	Bickle	D8/347
D433,922	S		11/2000	Hatada et al.		
D442,598	S		5/2001	Wallace et al.		
D452,244	S		12/2001	Wallace et al.		
D452,245	S		12/2001	Wallace et al.		
D452,246	S		12/2001	Wallace et al.		
D498,535	S	*	11/2004	Genau	D24/186
D534,414	S		1/2007	Stifle et al.		
D543,090	S	*	5/2007	Oechslin	D8/347
D557,588	S		12/2007	Stifle et al.		
D579,318	S	*	10/2008	Davis	D8/347
D599,795	S		9/2009	Lindley		
D649,486	S		11/2011	Daniels et al.		
D649,894	S		12/2011	Daniels et al.		
D649,895	S		12/2011	Stifle et al.		
D656,610	S	*	3/2012	Kleiner	D24/133
D657,229	S	*	4/2012	Chang	D8/347
D678,038	S		3/2013	Schindler et al.		
D720,346	S	*	12/2014	Davis	D14/341
D829,329	S	*	9/2018	Quam	D24/186
D832,678	S	*	11/2018	Sarpola	D8/347
D861,167	S	*	9/2019	Emery	D24/158
10,420,960	B2	*	9/2019	Emery	A61N 7/02
10,537,304	B2	*	1/2020	Barthe	A61B 8/4209
D877,152	S	*	3/2020	Maus	D14/435.1
10,603,521	B2	*	3/2020	Emery	A61N 7/02
D880,703	S	*	4/2020	Emery	D24/187
D900,325	S	*	10/2020	Emery	D24/187
D901,020	S	*	11/2020	Emery	D24/187
D940,535	S	*	1/2022	Prout	A44B 15/00 D8/347
D951,059	S	*	5/2022	Crisp	D8/347
2007/0271975	A1	*	11/2007	Seidel	E05B 47/00 70/395
2008/0074235	A1		3/2008	Wong et al.		

* cited by examiner

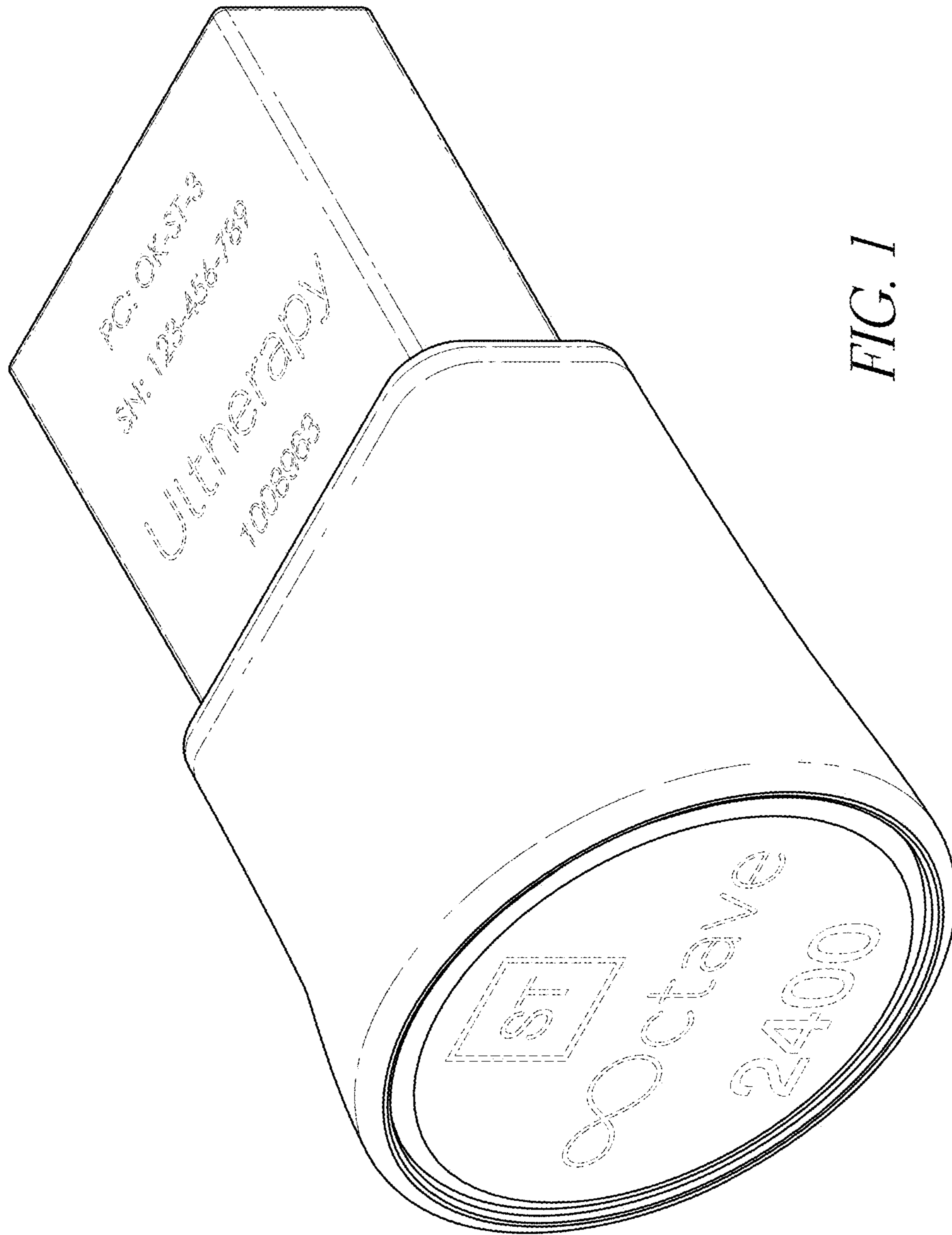


FIG. 1

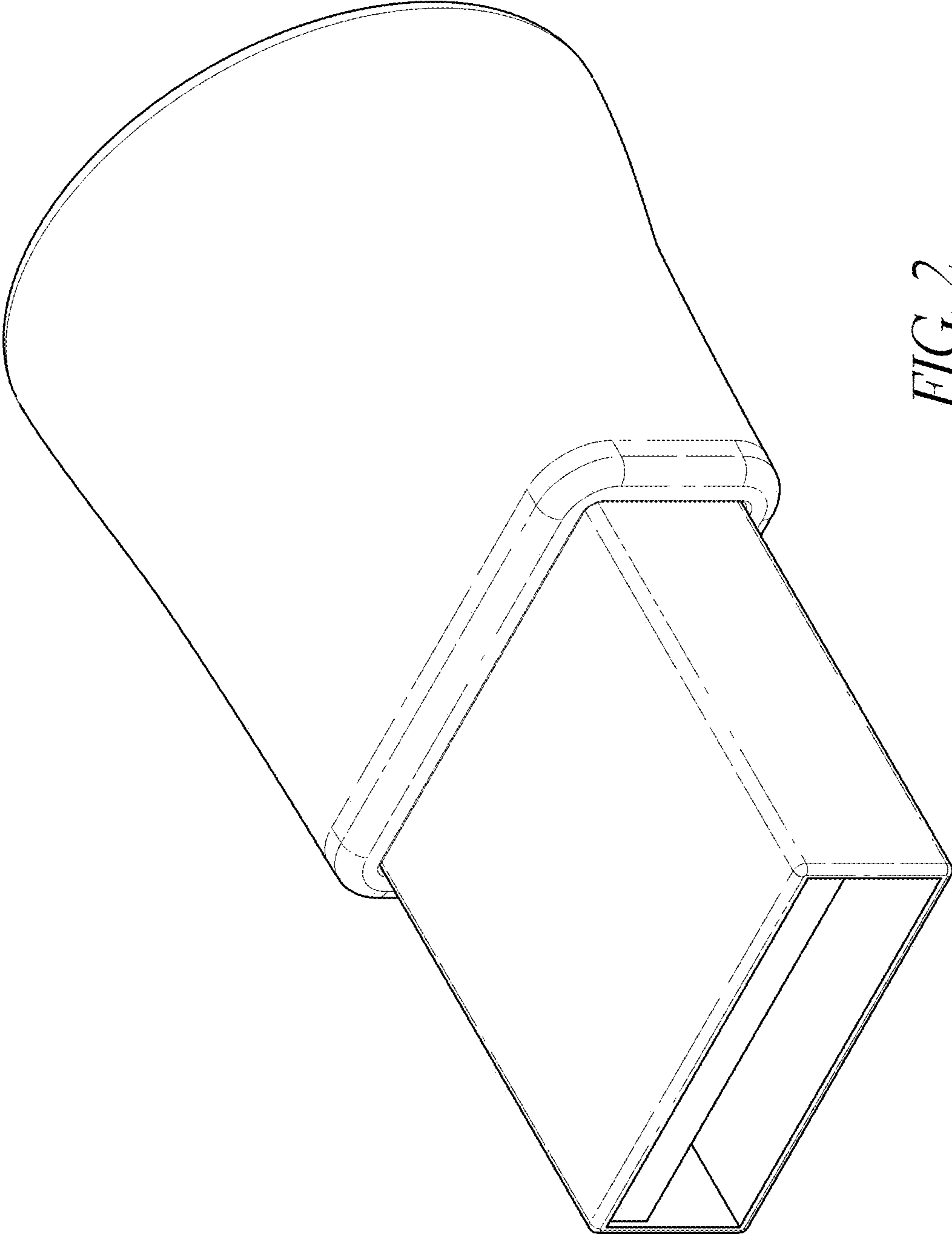


FIG. 2



FIG. 3

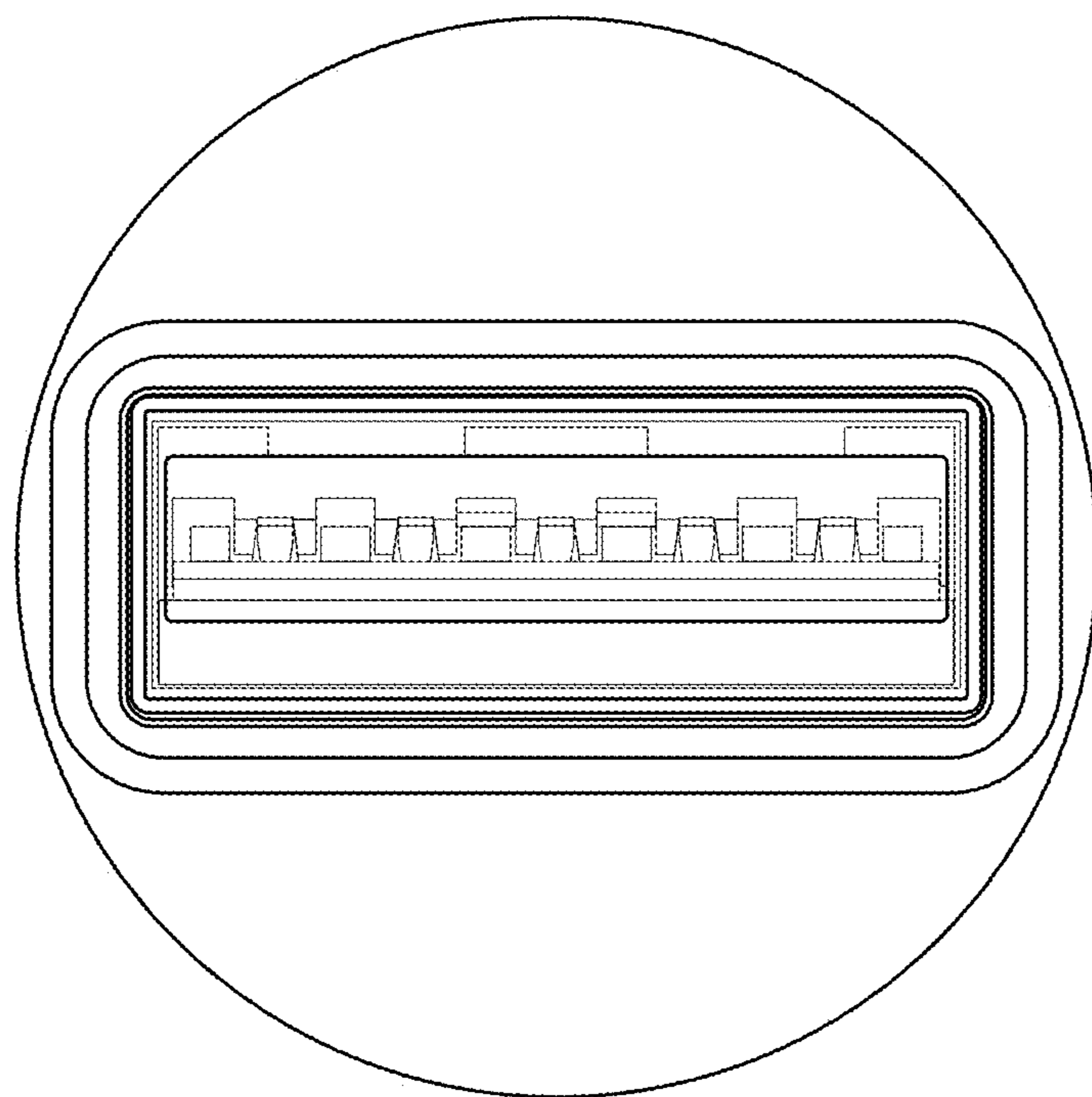


FIG. 4

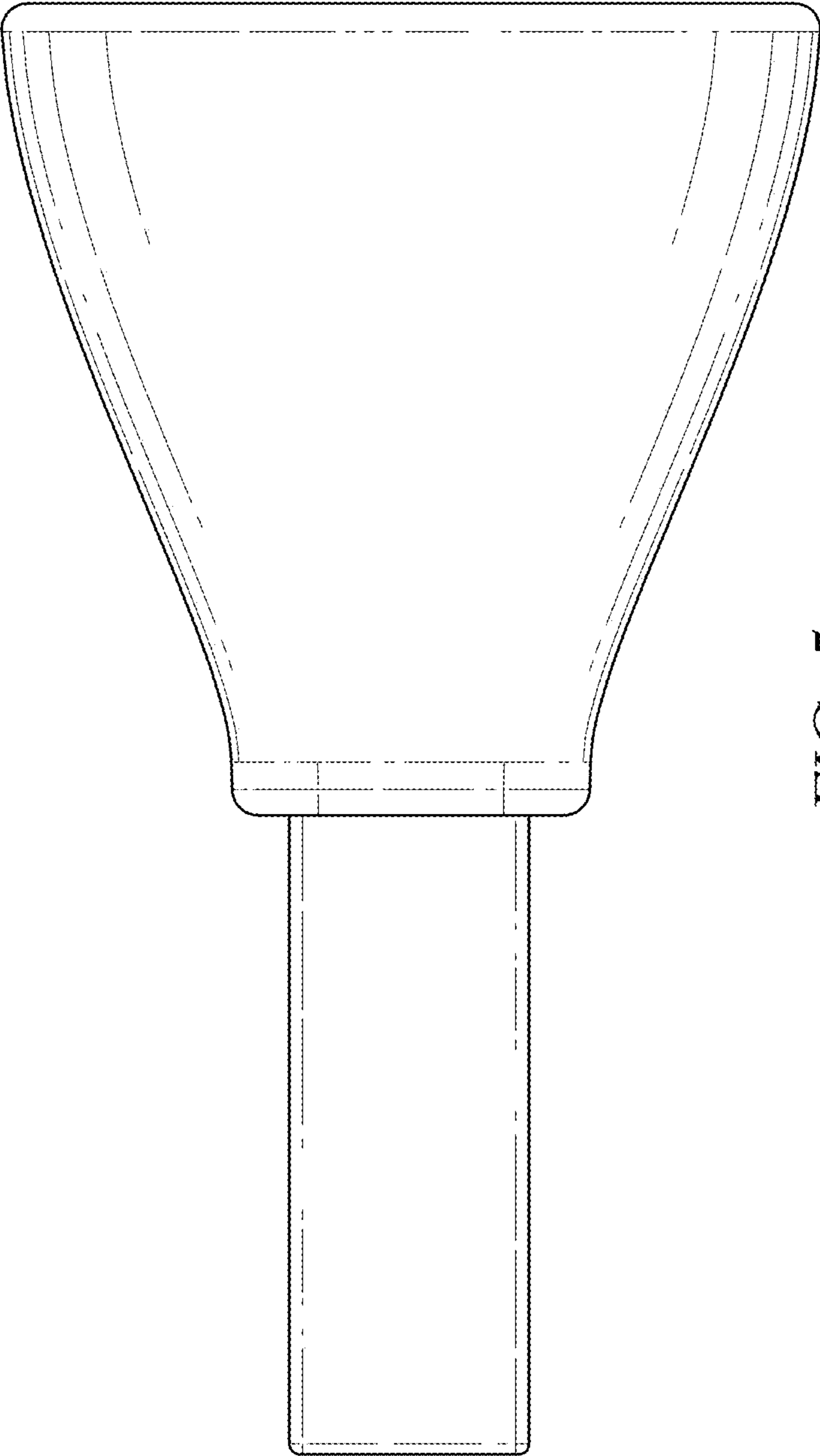


FIG. 5

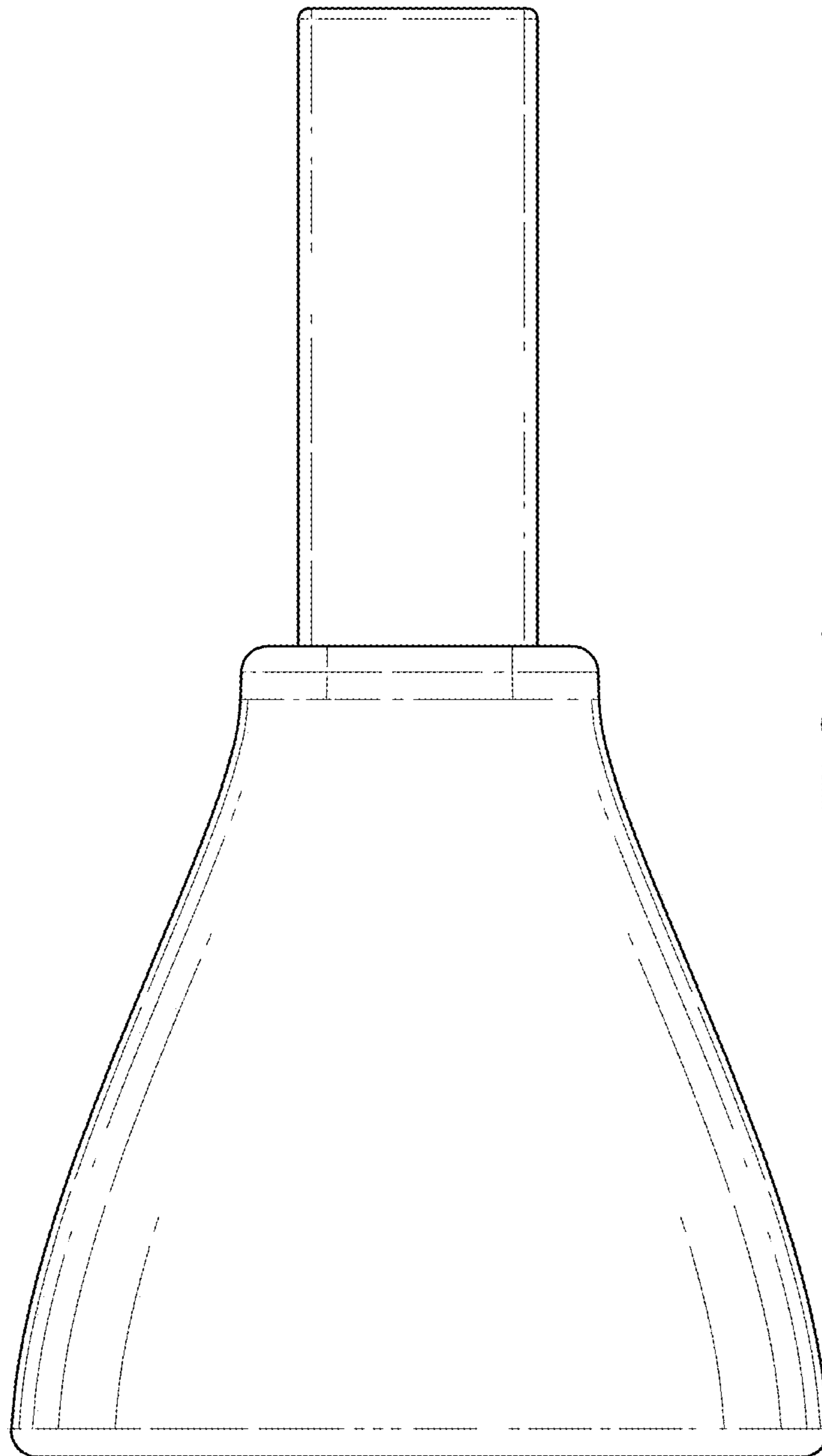


FIG. 6

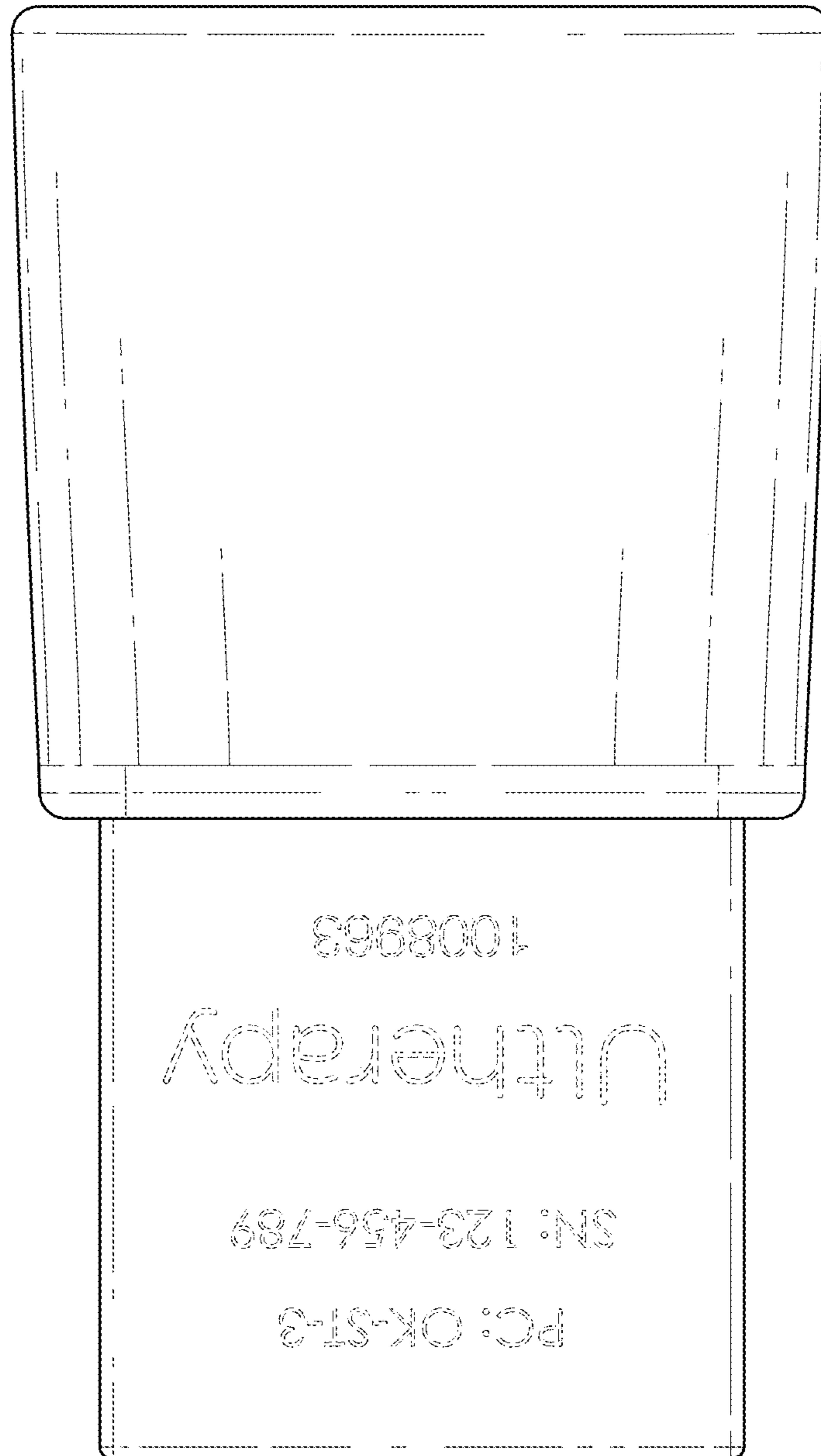


FIG. 7

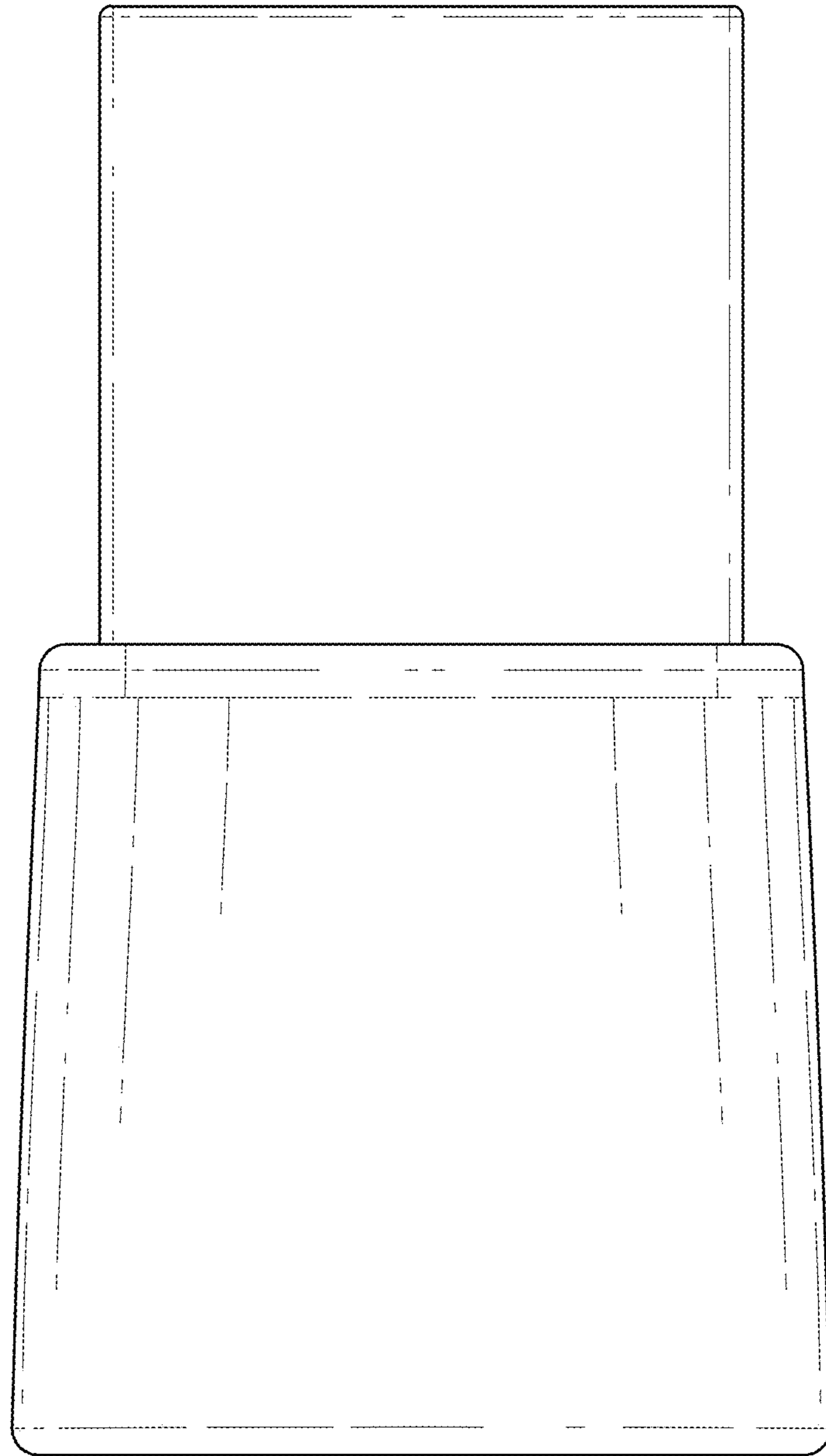


FIG. 8

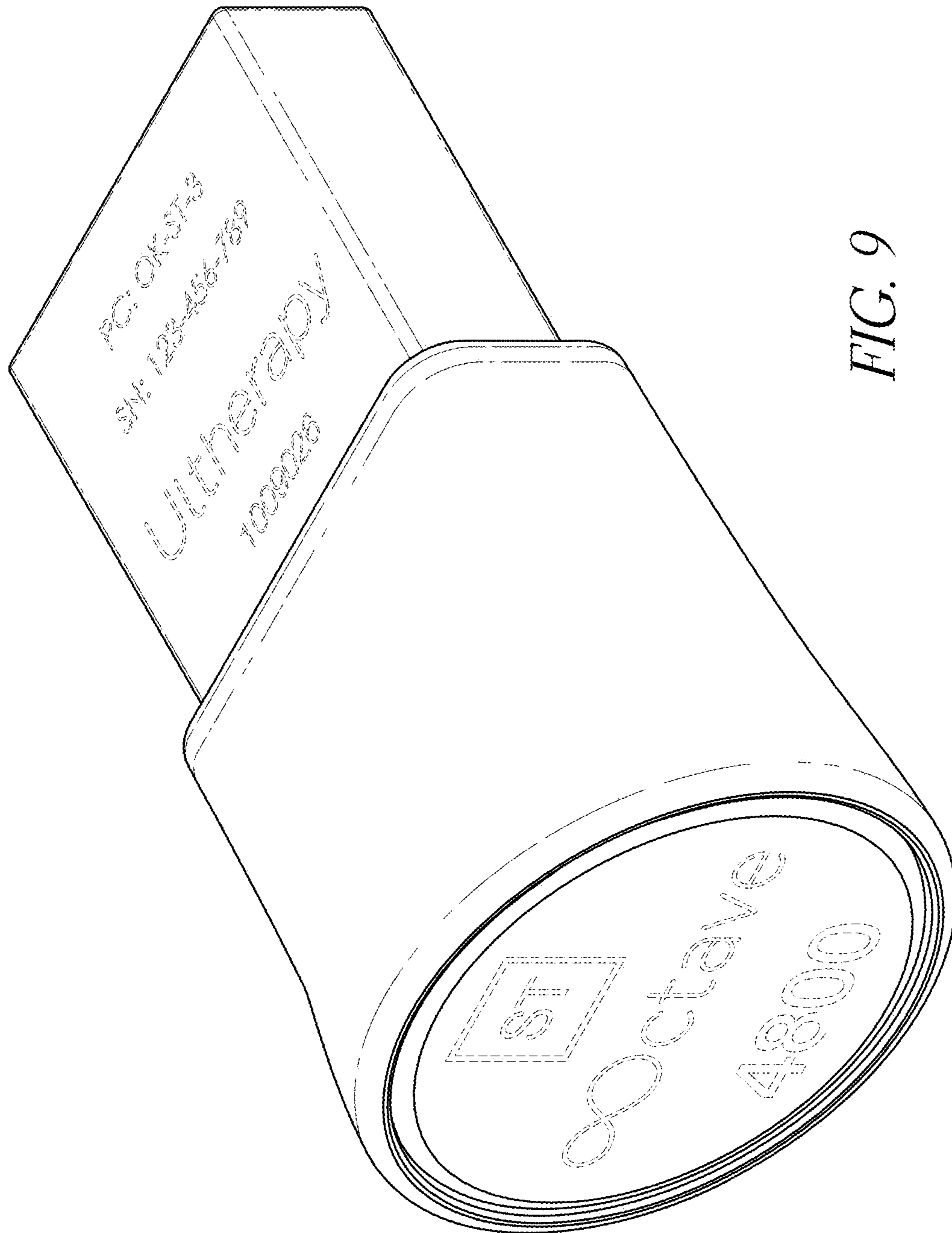


FIG. 9

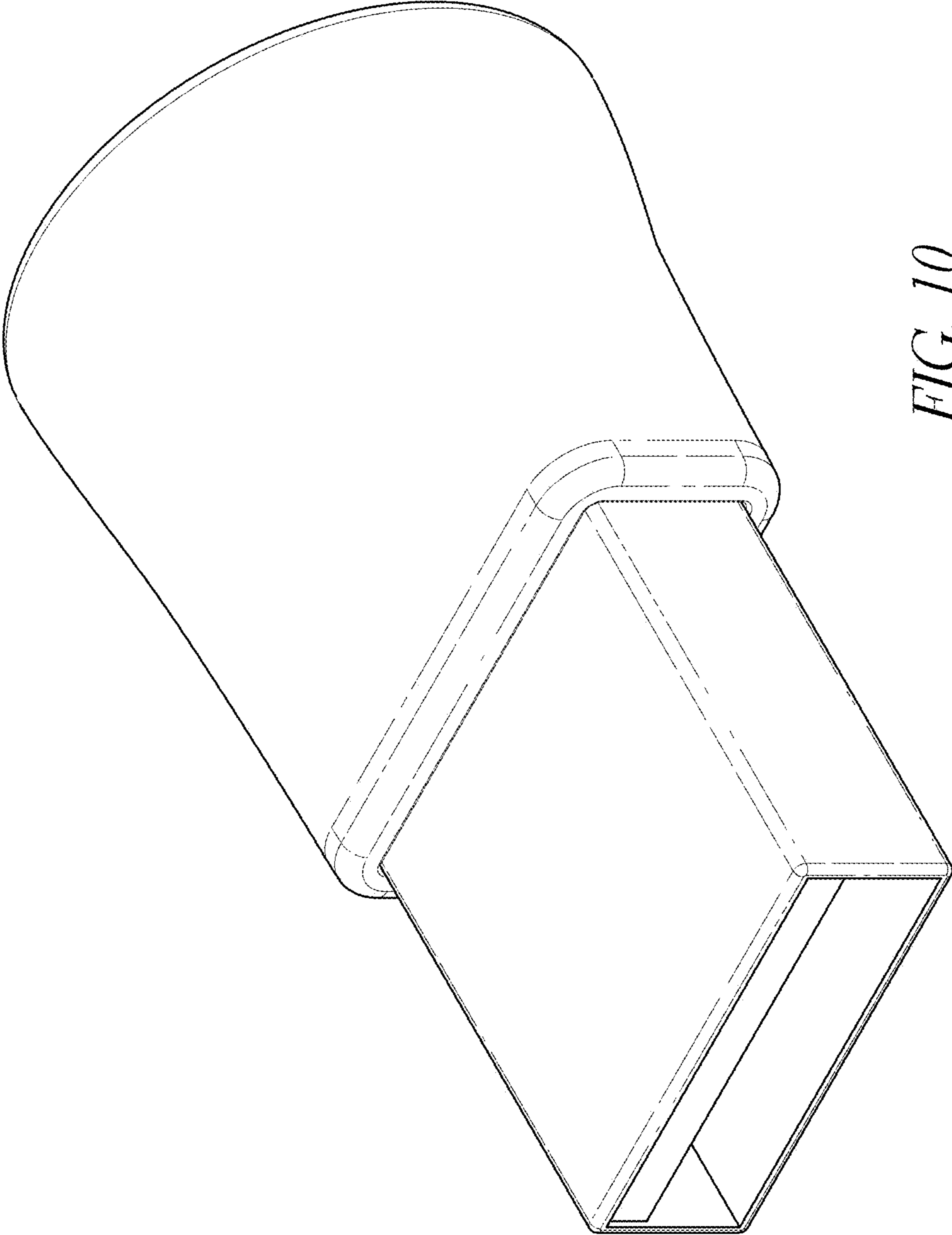


FIG. 10



FIG. 11

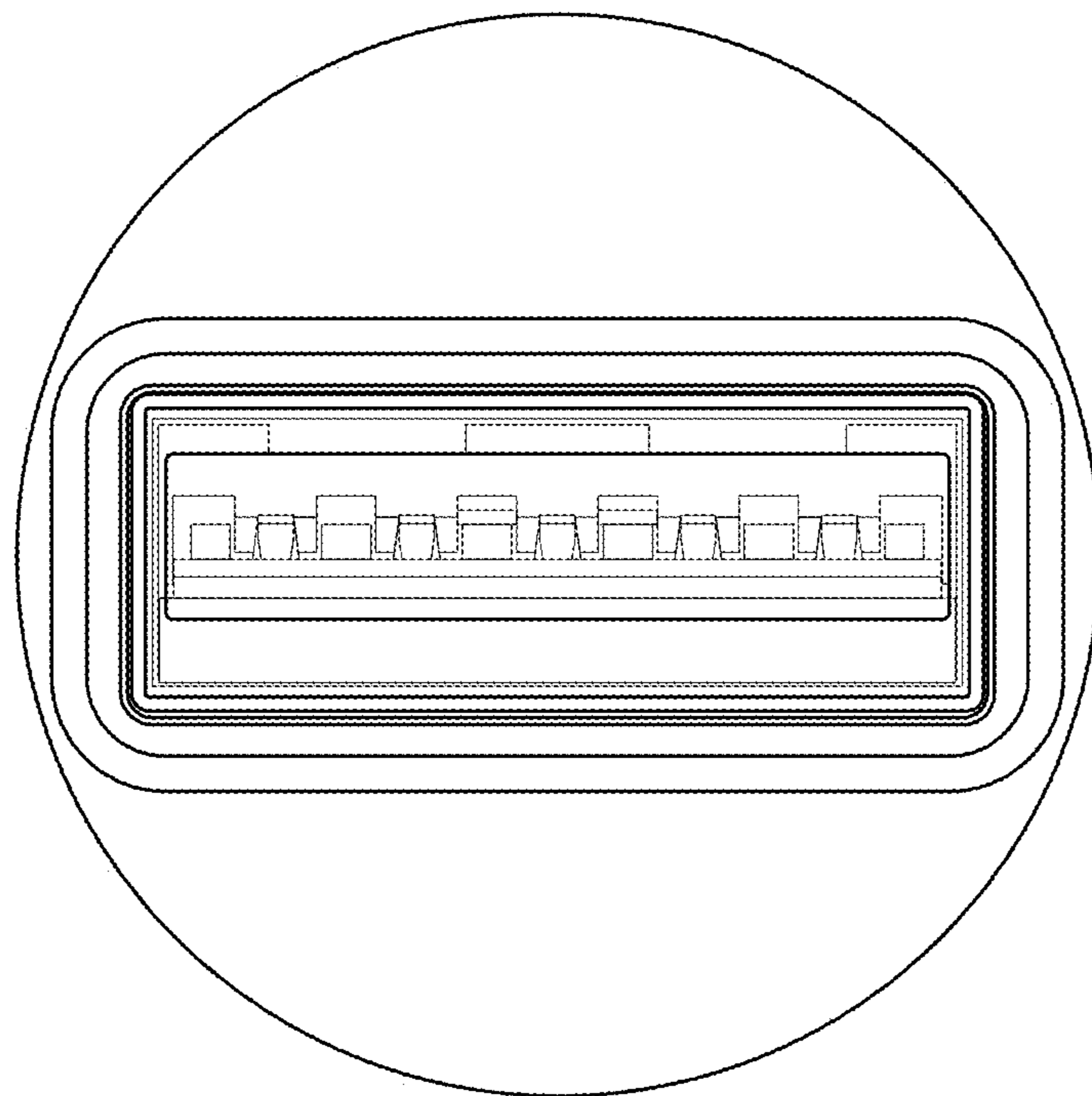


FIG. 12

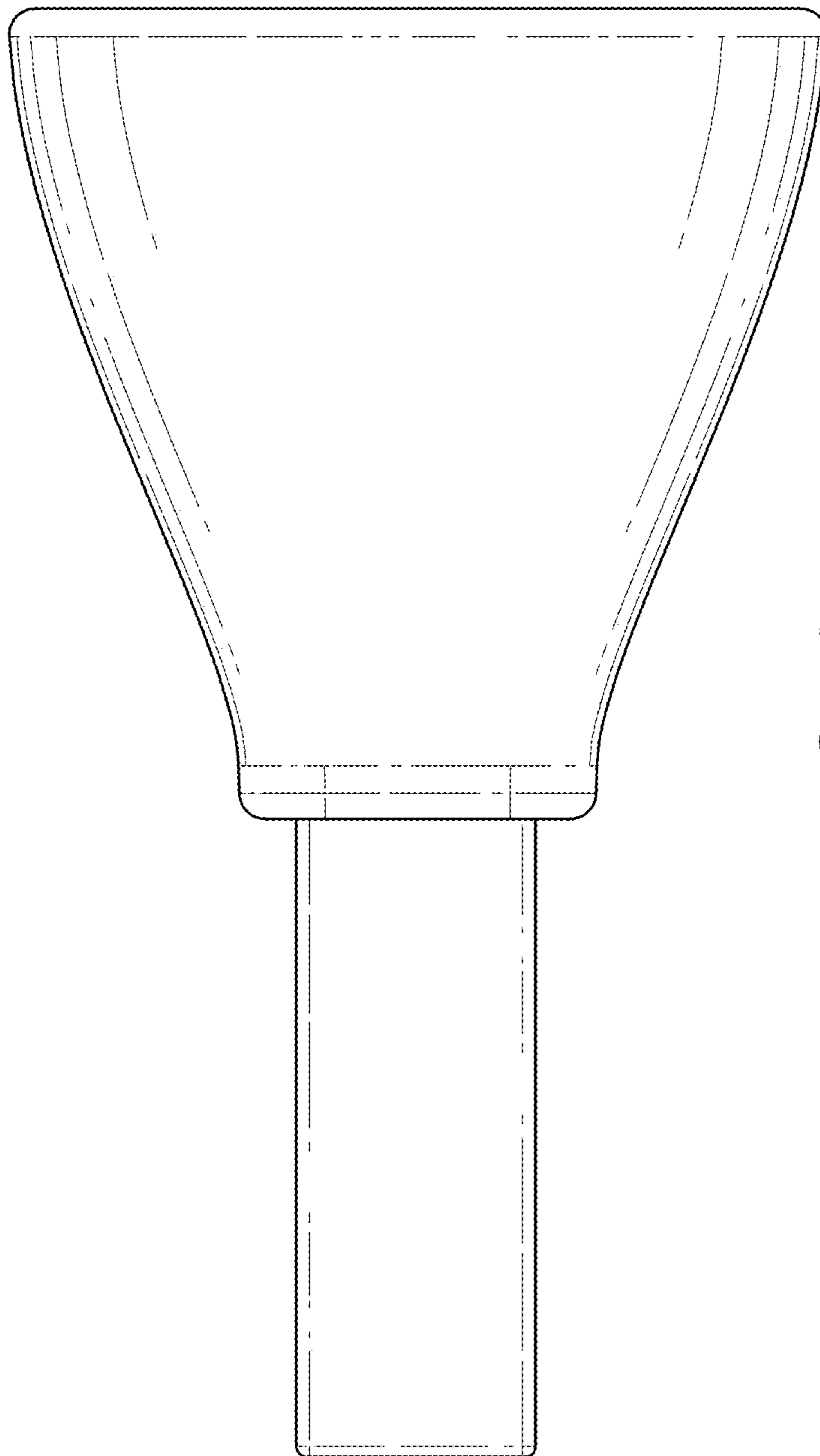


FIG. 13

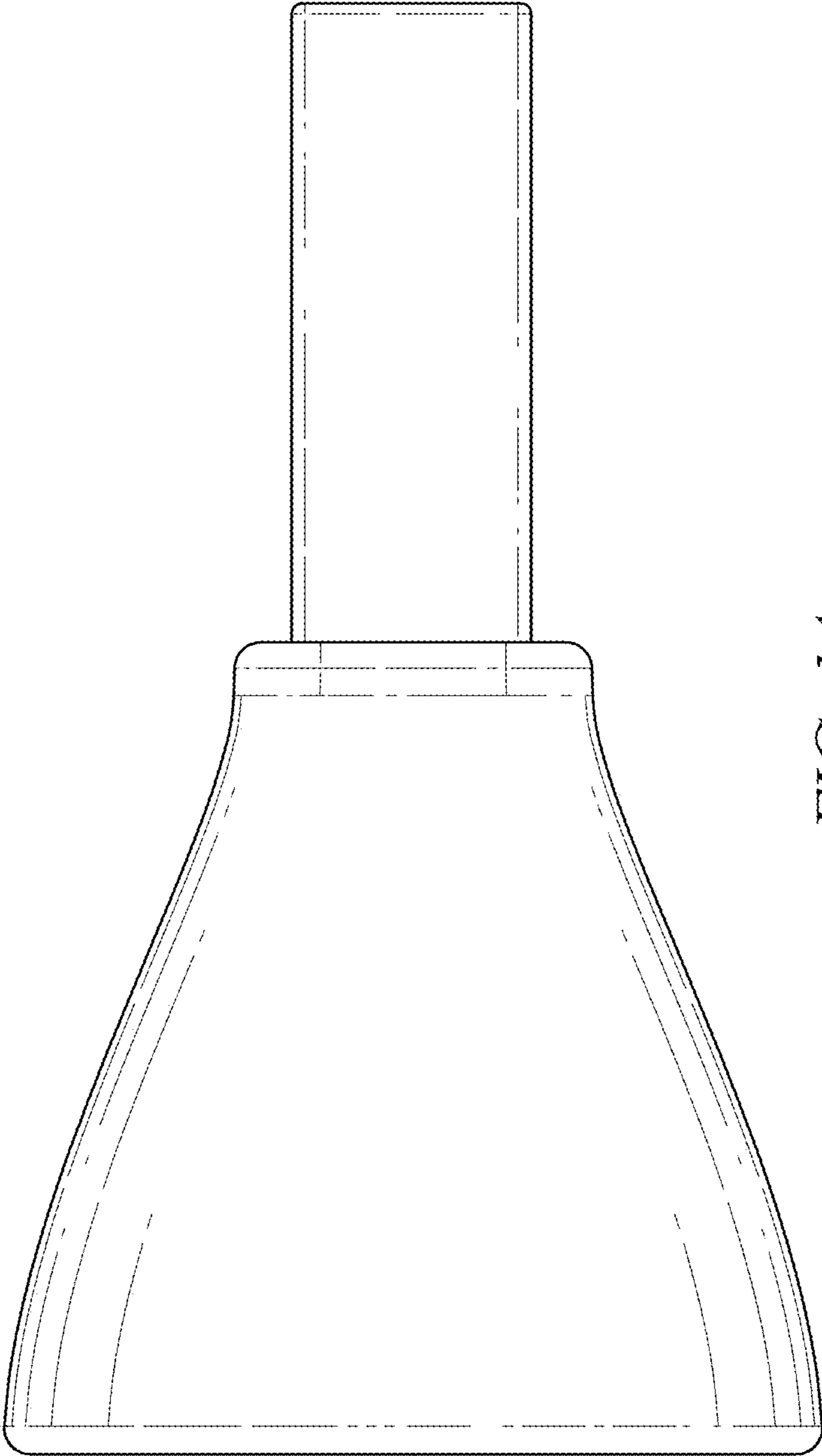


FIG. 14

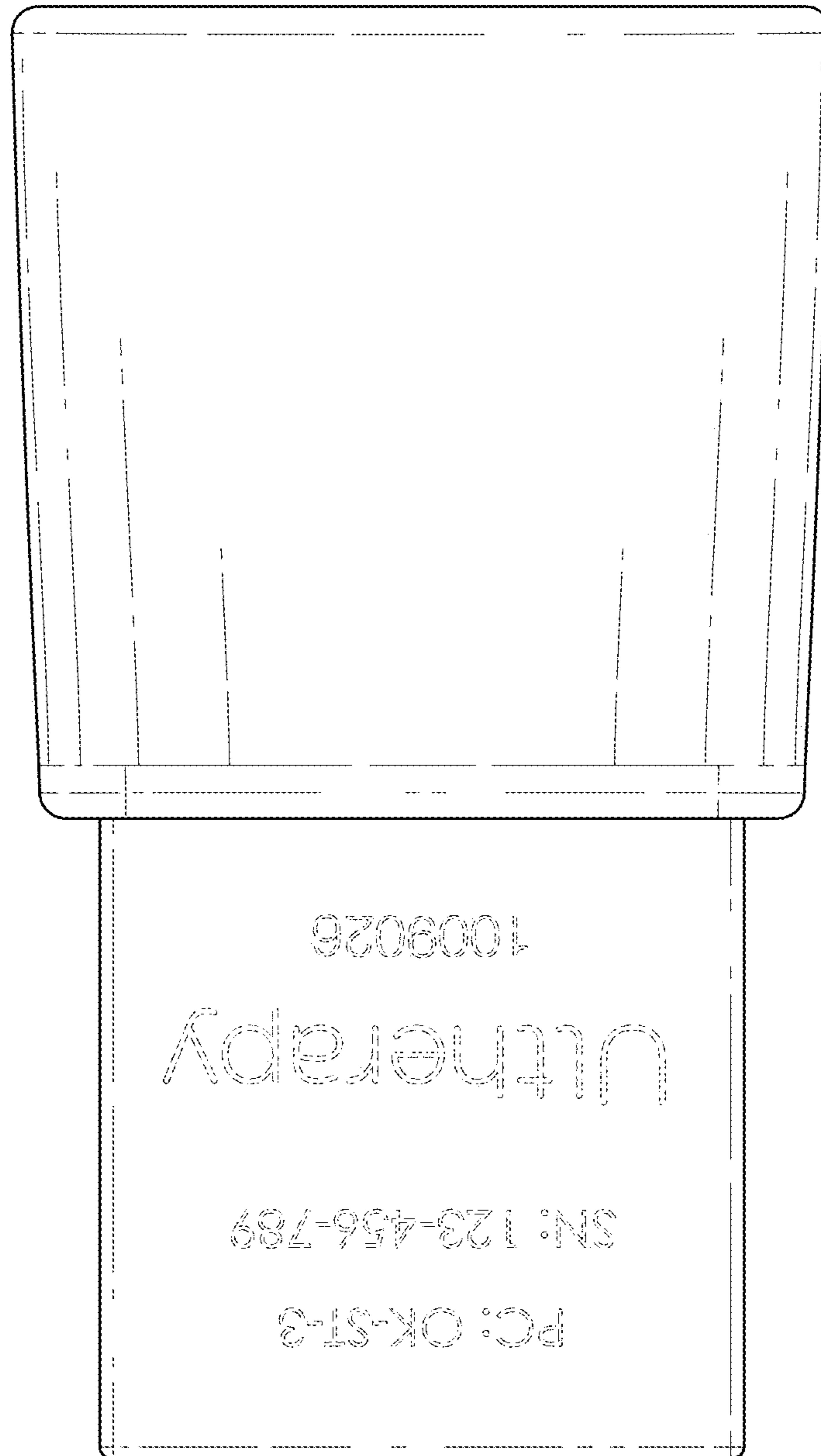


FIG. 15

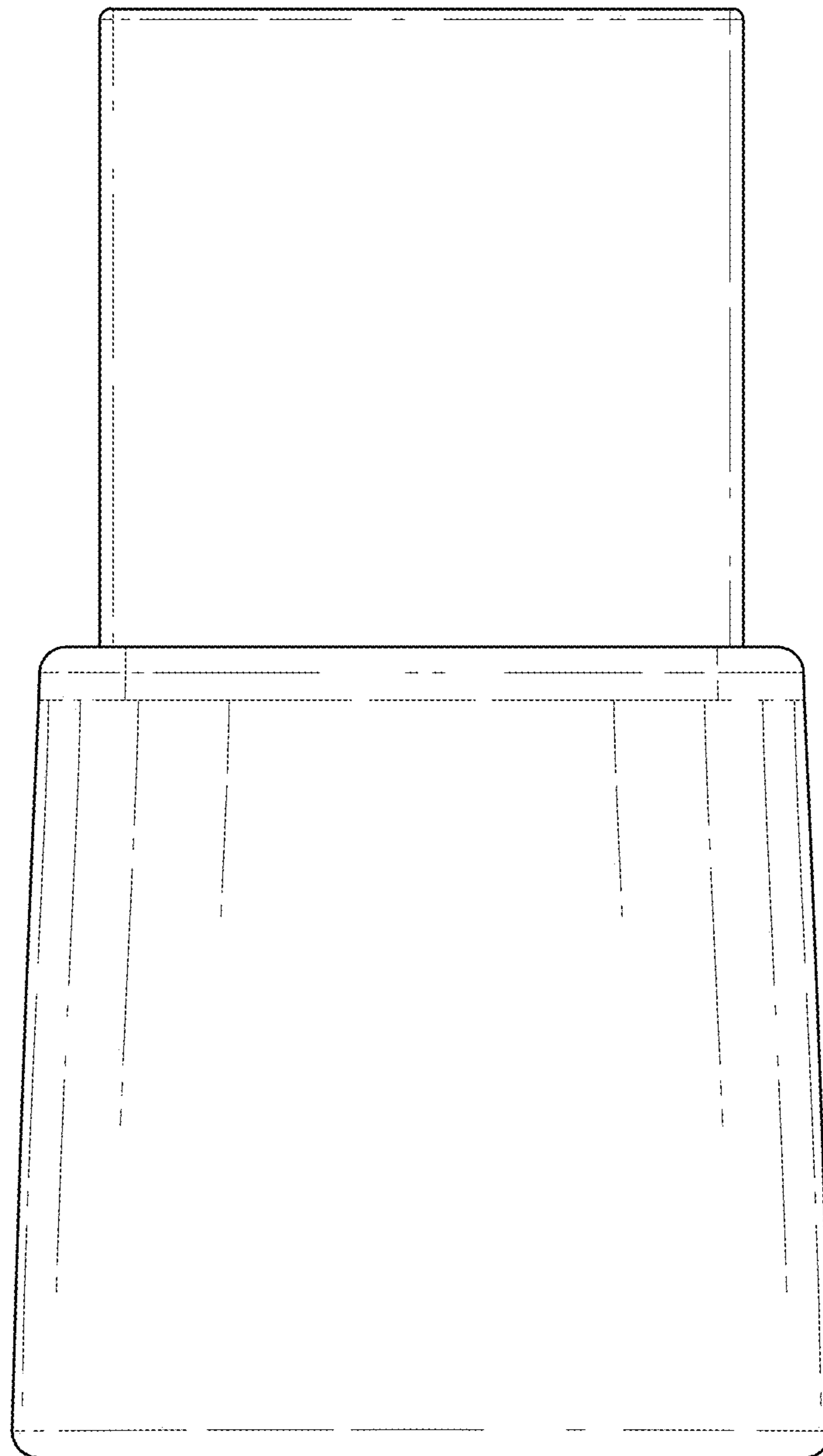


FIG. 16

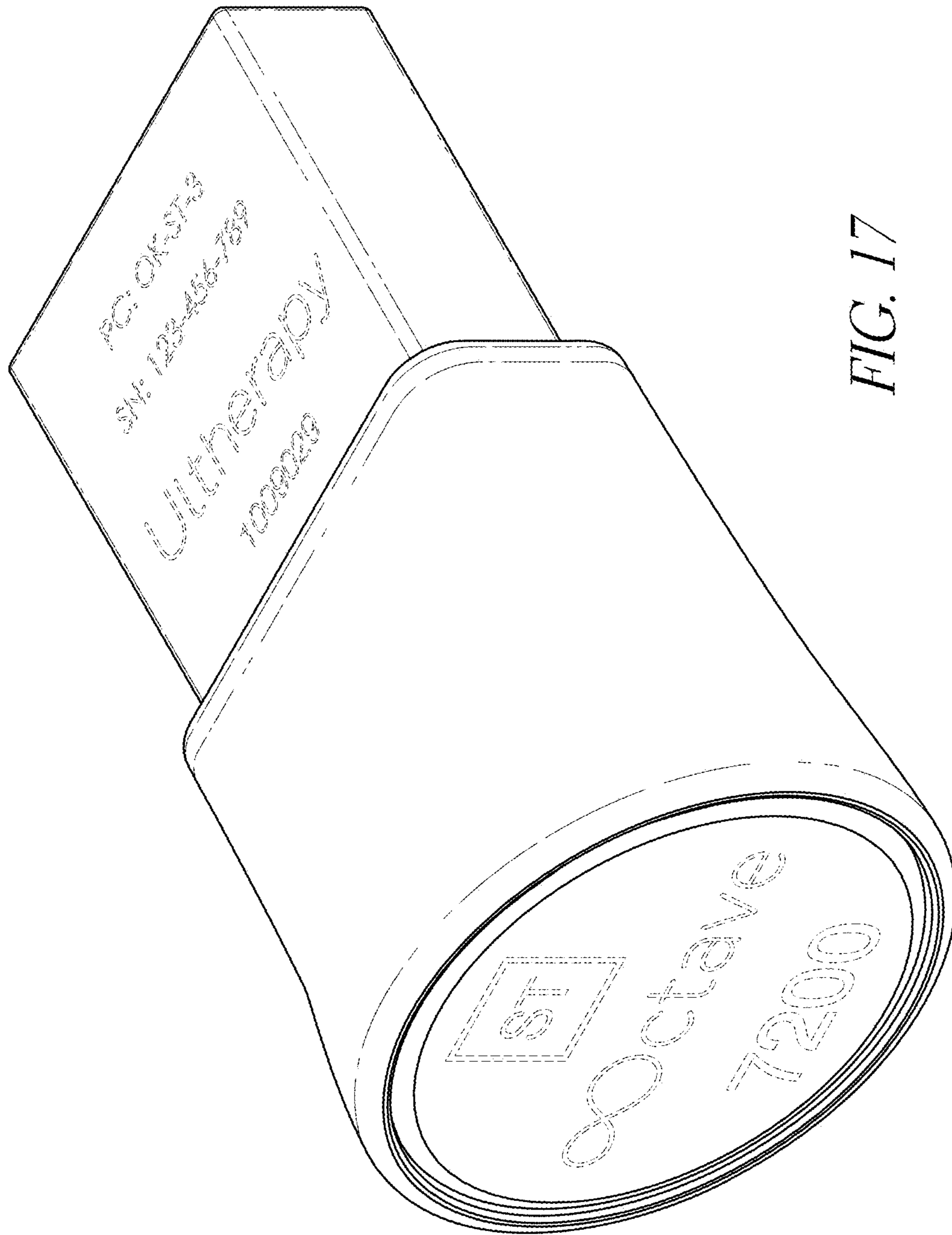


FIG. 17

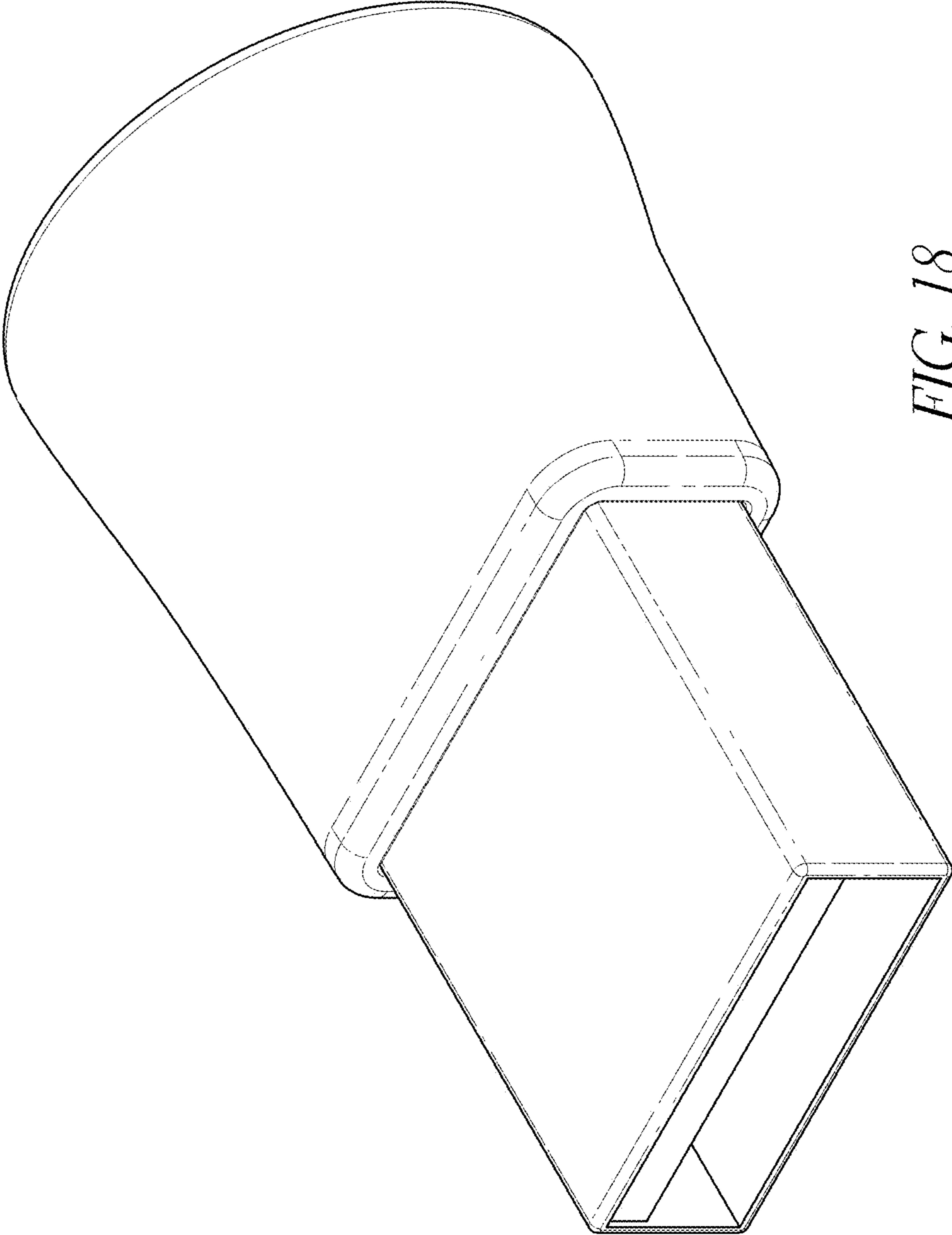


FIG. 18



FIG. 19

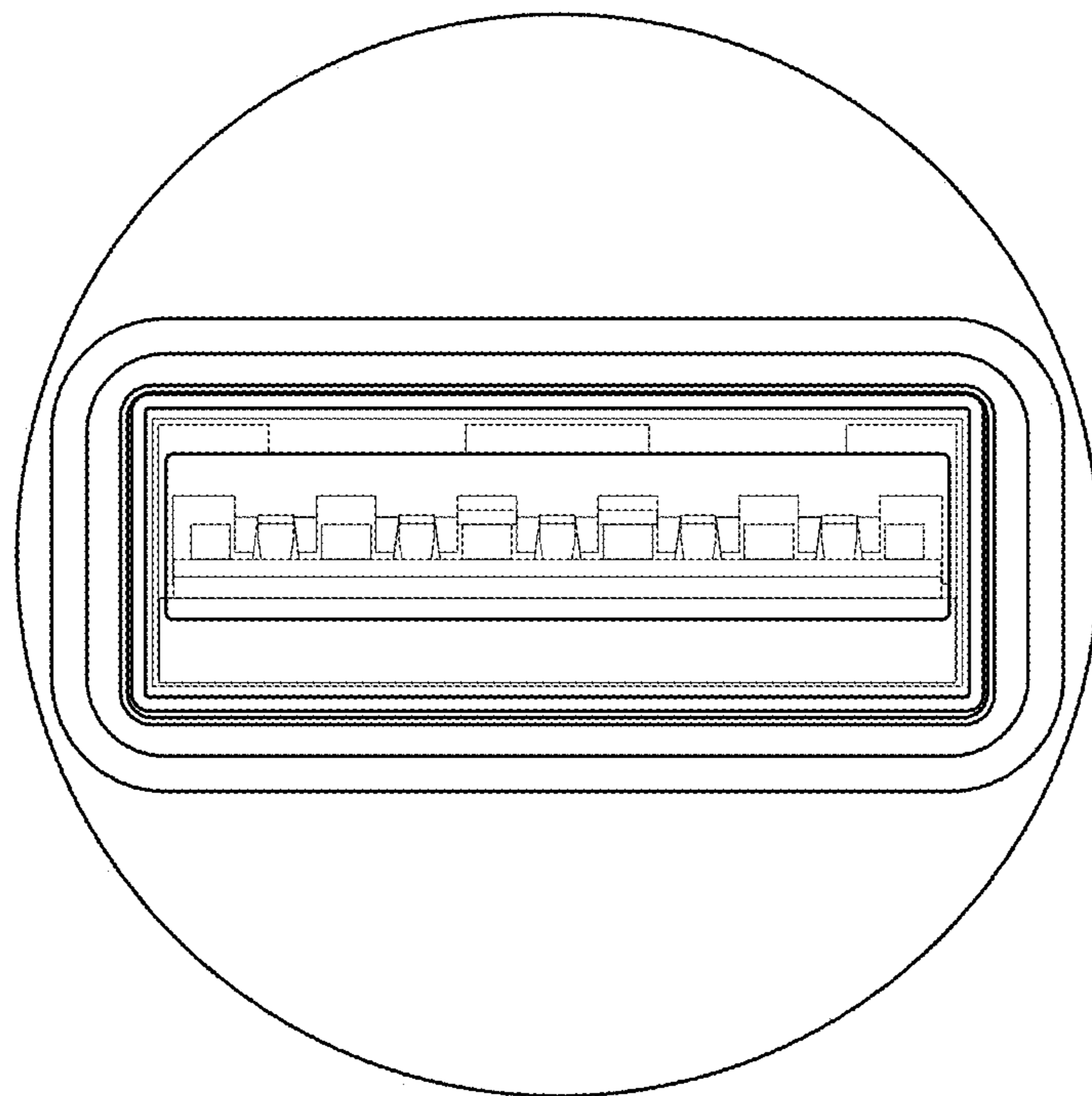


FIG. 20

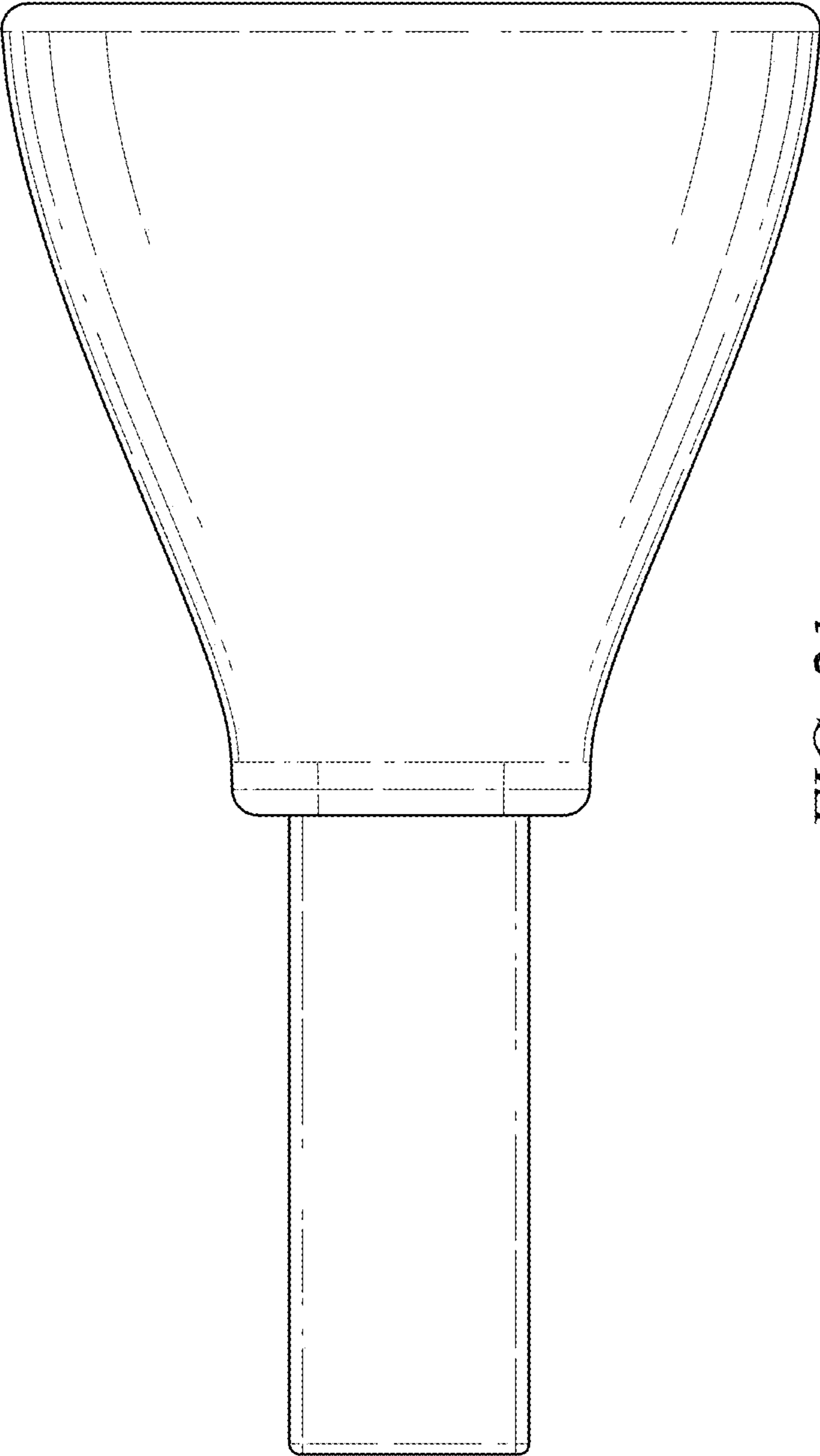


FIG. 21

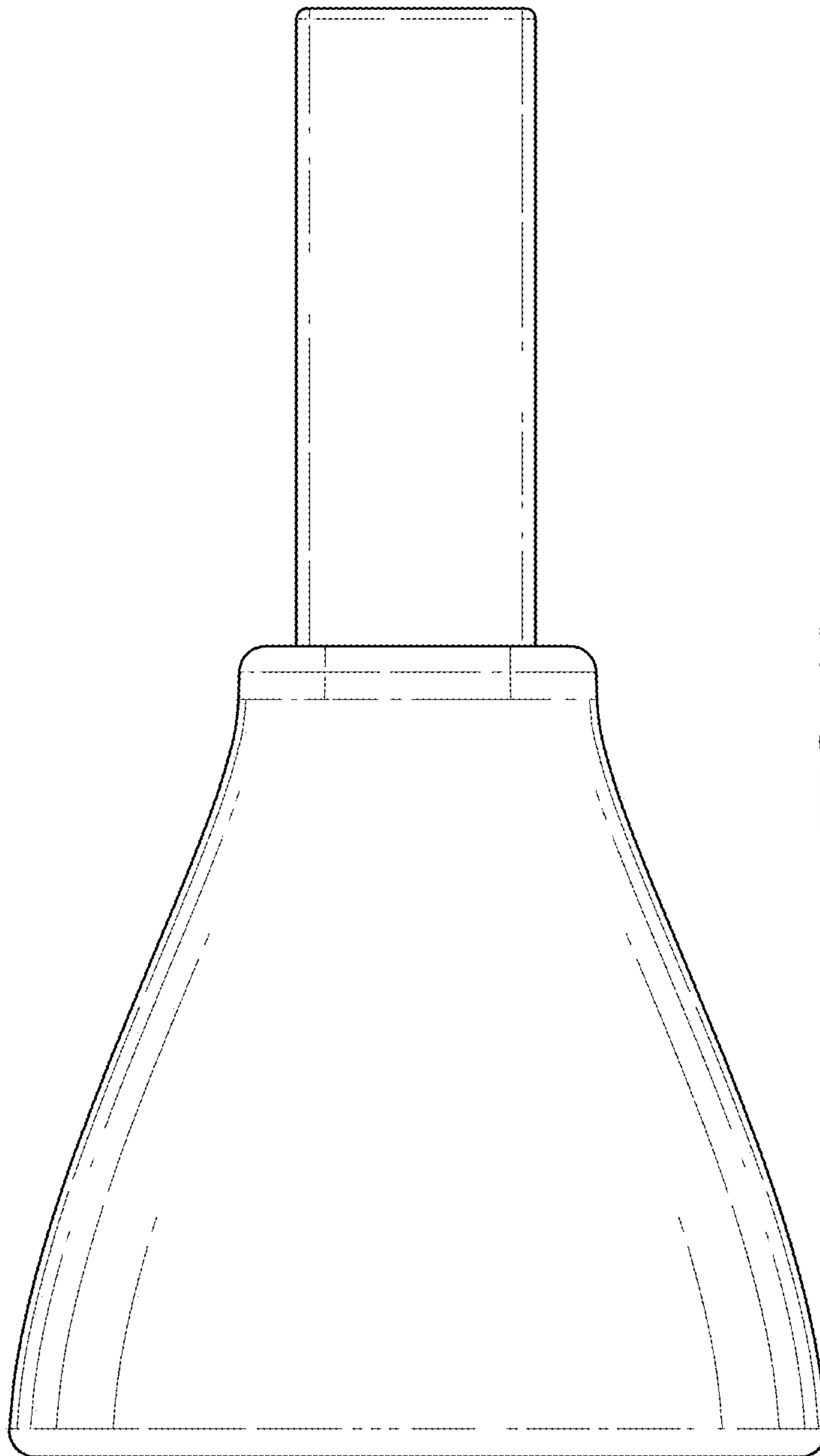


FIG. 22

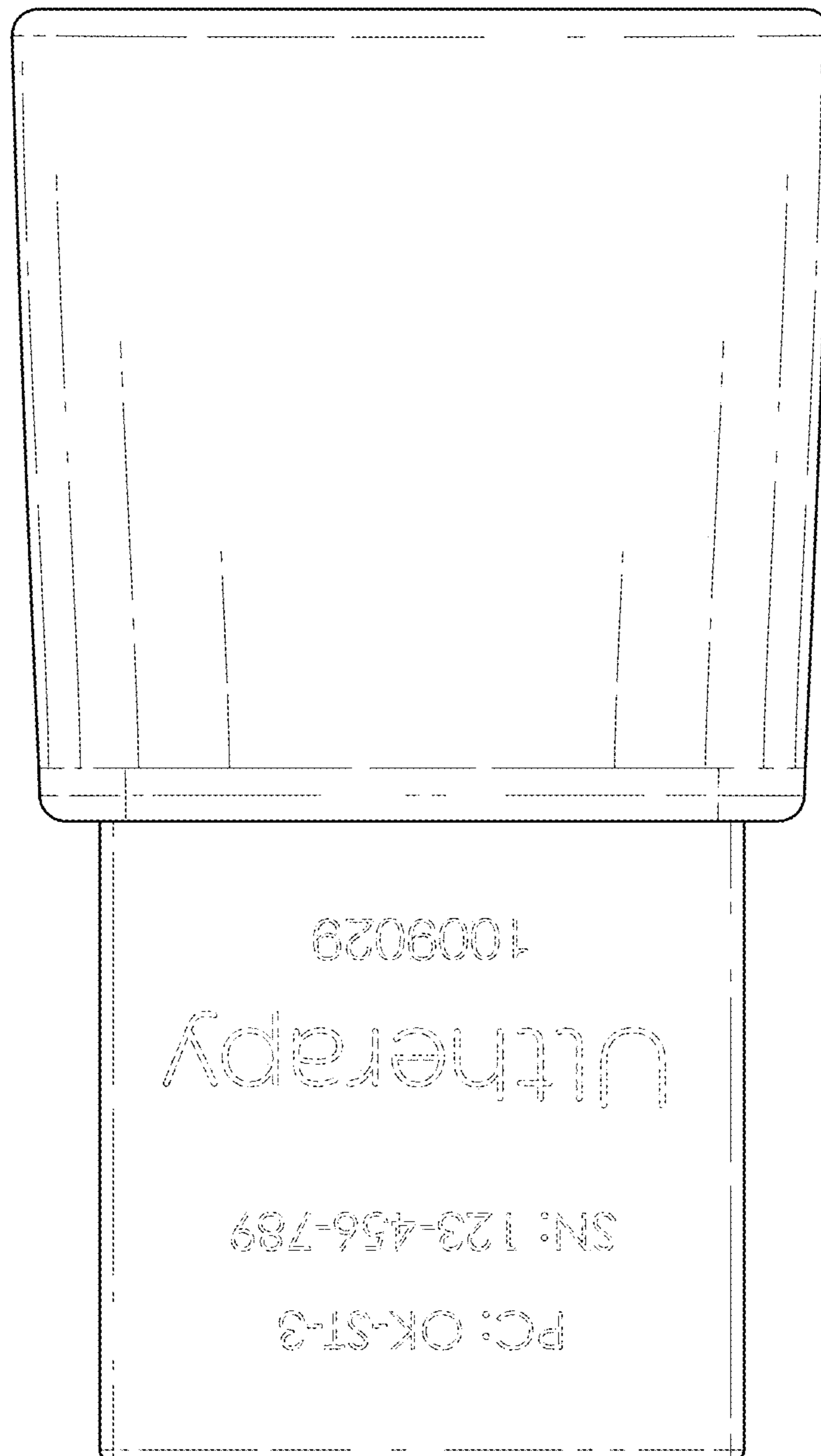


FIG. 23

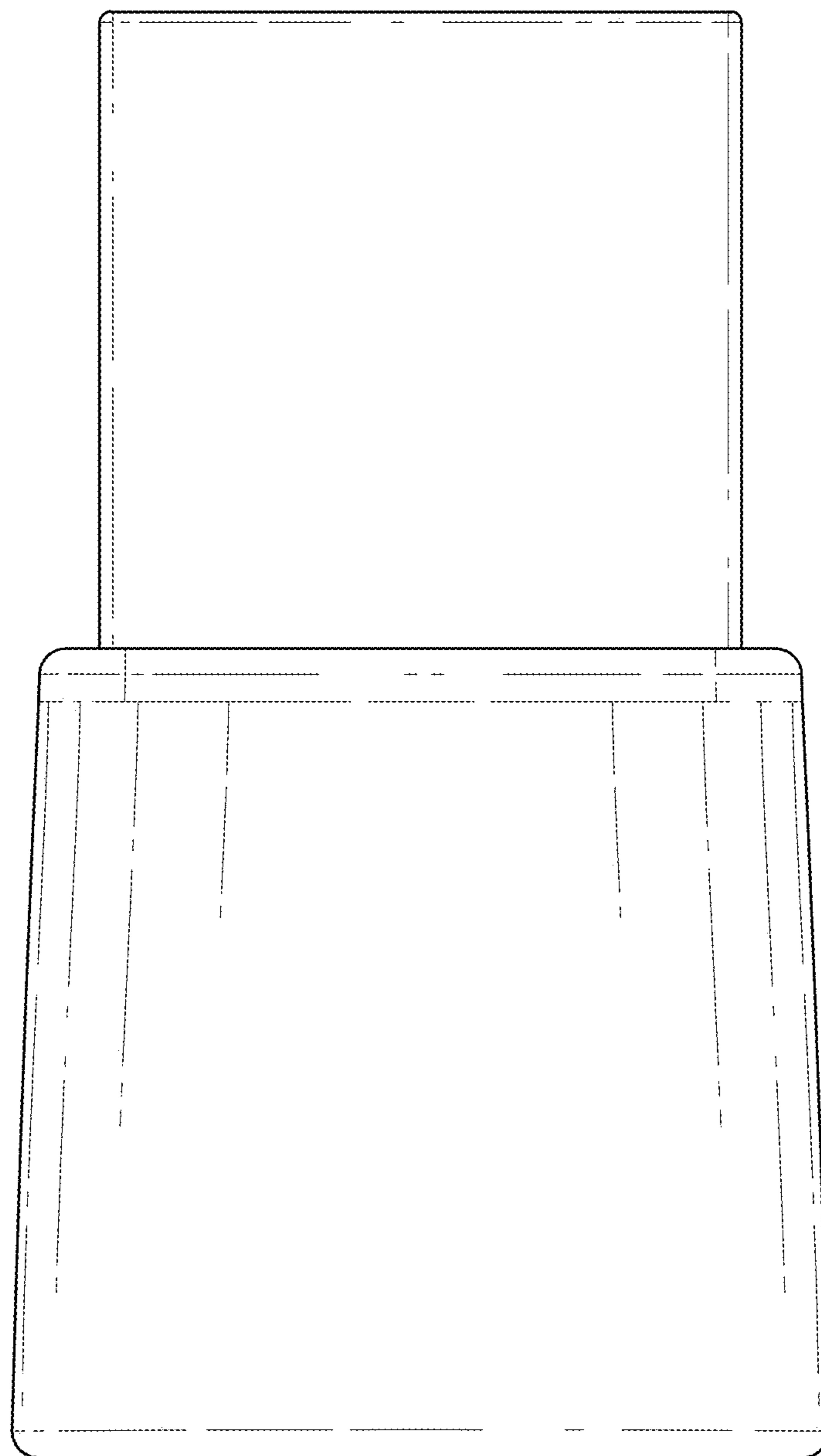


FIG. 24