



US00D986708S

(12) **United States Design Patent**
Baker et al.

(10) **Patent No.:** **US D986,708 S**
(45) **Date of Patent:** **** May 23, 2023**

- (54) **BASE MEMBER FOR A SHARPENING DEVICE USED TO SHARPEN A CUTTING TOOL**
- (71) Applicant: **Darex LLC**, Ashland, OR (US)
- (72) Inventors: **Steven L. Baker**, Medford, OR (US); **Conner S. Macfarlane**, Ashland, OR (US); **Joseph T. Zachariasen**, Medford, OR (US)
- (73) Assignee: **Darex LLC**, Ashland, OR (US)
- (**) Term: **15 Years**
- (21) Appl. No.: **29/788,174**
- (22) Filed: **Apr. 2, 2021**
- (51) **LOC (14) Cl.** **08-05**
- (52) **U.S. Cl.**
USPC **D8/93**; D8/91
- (58) **Field of Classification Search**
USPC D8/90, 91, 92, 93
CPC B24D 15/06; B24D 15/00; B24D 15/063; B24D 15/066; B24D 15/08; B24B 41/066; B24B 3/54; B24B 3/36; B24B 3/58; B24B 3/00; B24B 23/08; B24B 15/00; B24B 15/06; B24B 15/08
See application file for complete search history.

4,731,953 A *	3/1988	Owen	B24D 15/08
				76/82.2
4,777,770 A *	10/1988	LeVine	B24D 15/08
				76/88
5,138,801 A *	8/1992	Anthon	B24D 15/06
				451/367
D335,621 S *	5/1993	Moody	D8/93
5,431,068 A *	7/1995	Alsich	B24B 41/066
				76/82
D363,869 S *	11/1995	Ross	B24D 15/063
				D8/93
6,579,163 B1 *	6/2003	Ross	B24B 3/36
				451/540
7,144,310 B2 *	12/2006	Longbrake	B24D 15/08
				451/367
7,867,062 B2 *	1/2011	Swartz	B24D 15/065
				451/175
7,874,896 B1 *	1/2011	Watson	B24D 15/08
				451/380
8,262,438 B1 *	9/2012	Allison	B24D 15/08
				451/367
8,292,701 B2 *	10/2012	Heng	B24B 3/546
				451/371

(Continued)

Primary Examiner — Philip S Hyder
(74) *Attorney, Agent, or Firm* — Workman Nydegger

(57) **CLAIM**

The ornamental design for a base member for a sharpening device used to sharpen a cutting tool, as shown and described.

(56) **References Cited**

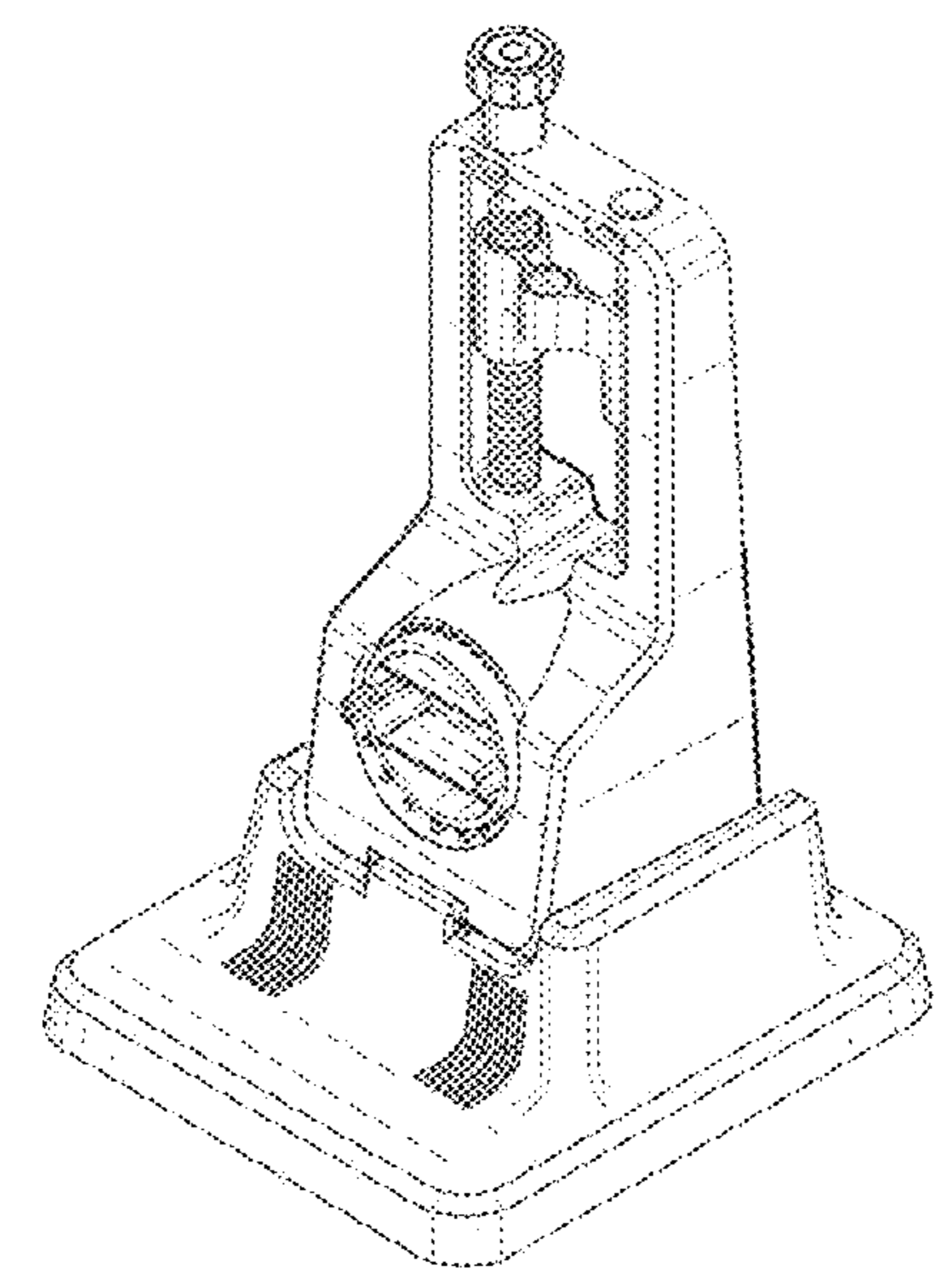
U.S. PATENT DOCUMENTS

4,216,627 A *	8/1980	Westrom	B24D 15/063
				451/175
D273,081 S *	3/1984	Levine	D8/93
4,441,279 A *	4/1984	Storm	B24D 15/06
				76/82.2
4,538,382 A *	9/1985	Johannsen	B24D 15/06
				76/82.2
D287,815 S *	1/1987	Johannsen	B24D 15/08
				D8/93

DESCRIPTION

FIG. 1 is a perspective view of the design.
FIG. 2 is a front view of the design of FIG. 1.
FIG. 3 is a rear view of the design of FIG. 1.
FIG. 4 is a top plan view of the design of FIG. 1.
FIG. 5 is a right side view of the design of FIG. 1; and,
FIG. 6 is a left side view of the design of FIG. 1.

1 Claim, 5 Drawing Sheets



(56)

References Cited

U.S. PATENT DOCUMENTS

8,323,077 B2 * 12/2012 Nakoff B24B 3/543
451/367
D862,194 S * 10/2019 Wood B24D 15/08
D8/93
10,744,614 B1 * 8/2020 Allison B24B 41/066
2005/0048885 A1 * 3/2005 Longbrake B24D 15/08
451/367
2007/0249268 A1 * 10/2007 Swartz B24D 15/06
451/349
2011/0159791 A1 * 6/2011 Heng B24B 3/546
451/349
2011/0177764 A1 * 7/2011 Schwartz B24D 15/08
451/371
2022/0088748 A1 * 3/2022 Baker B25B 11/02

* cited by examiner

FIG. 1

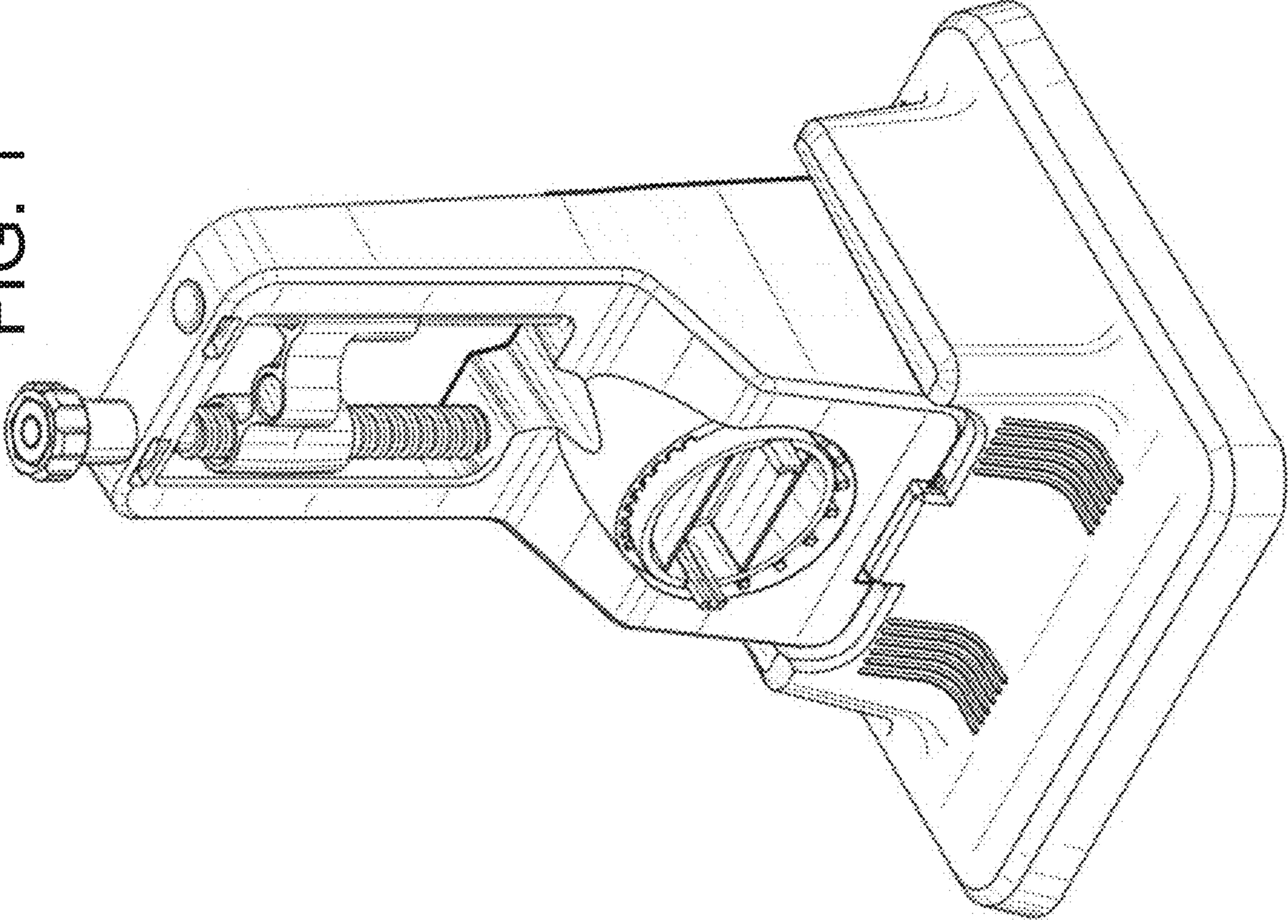


FIG. 2

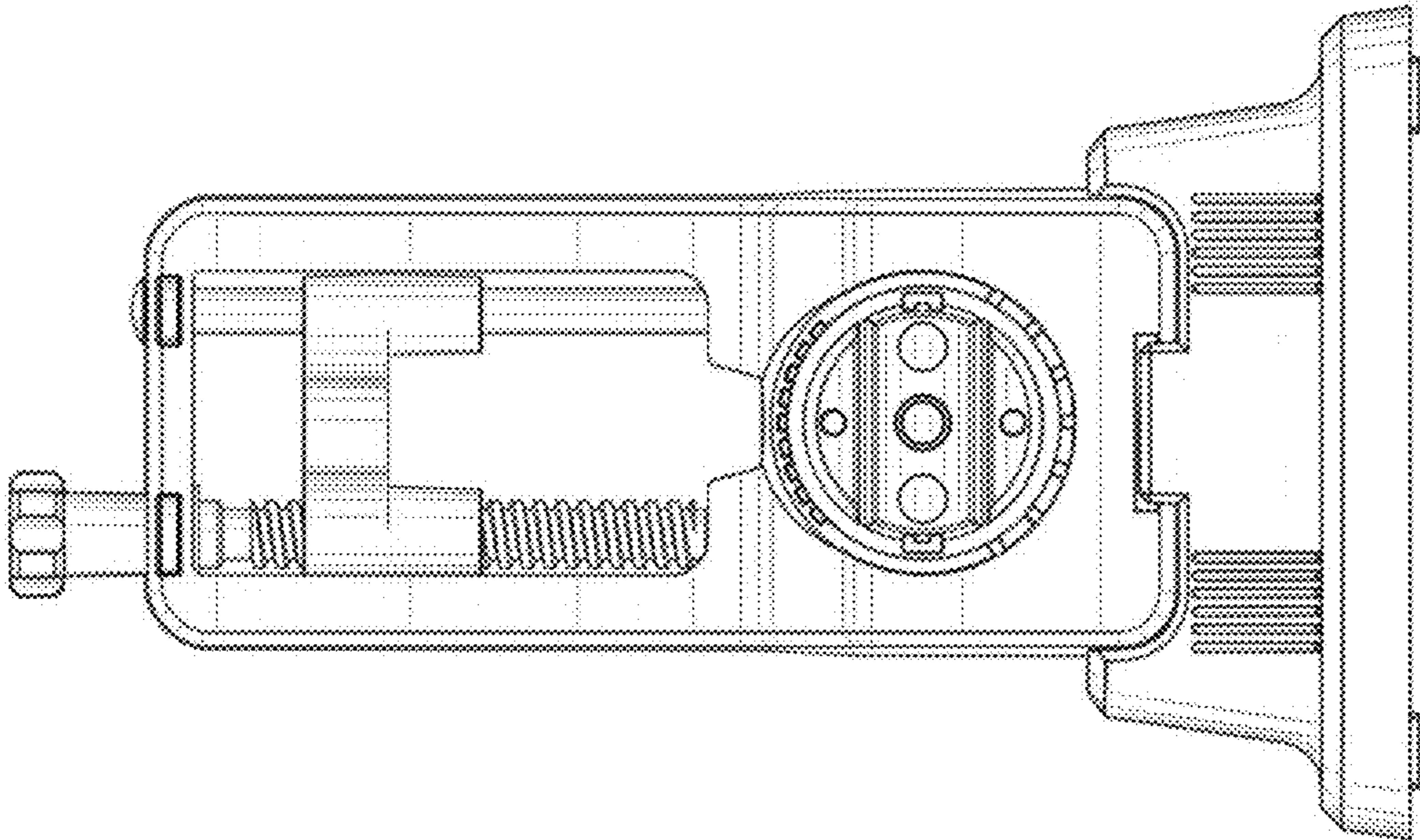


FIG. 3

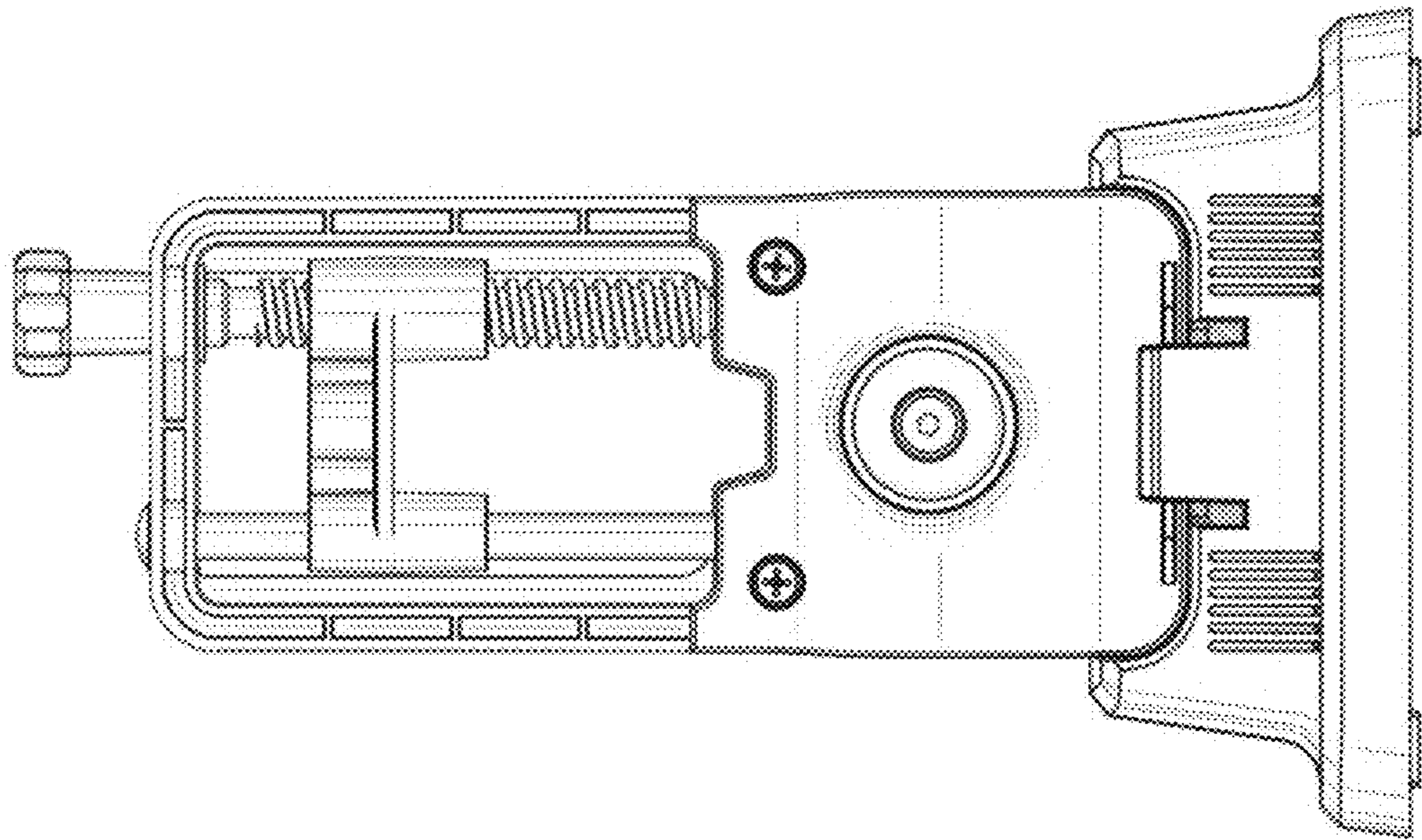


FIG. 4

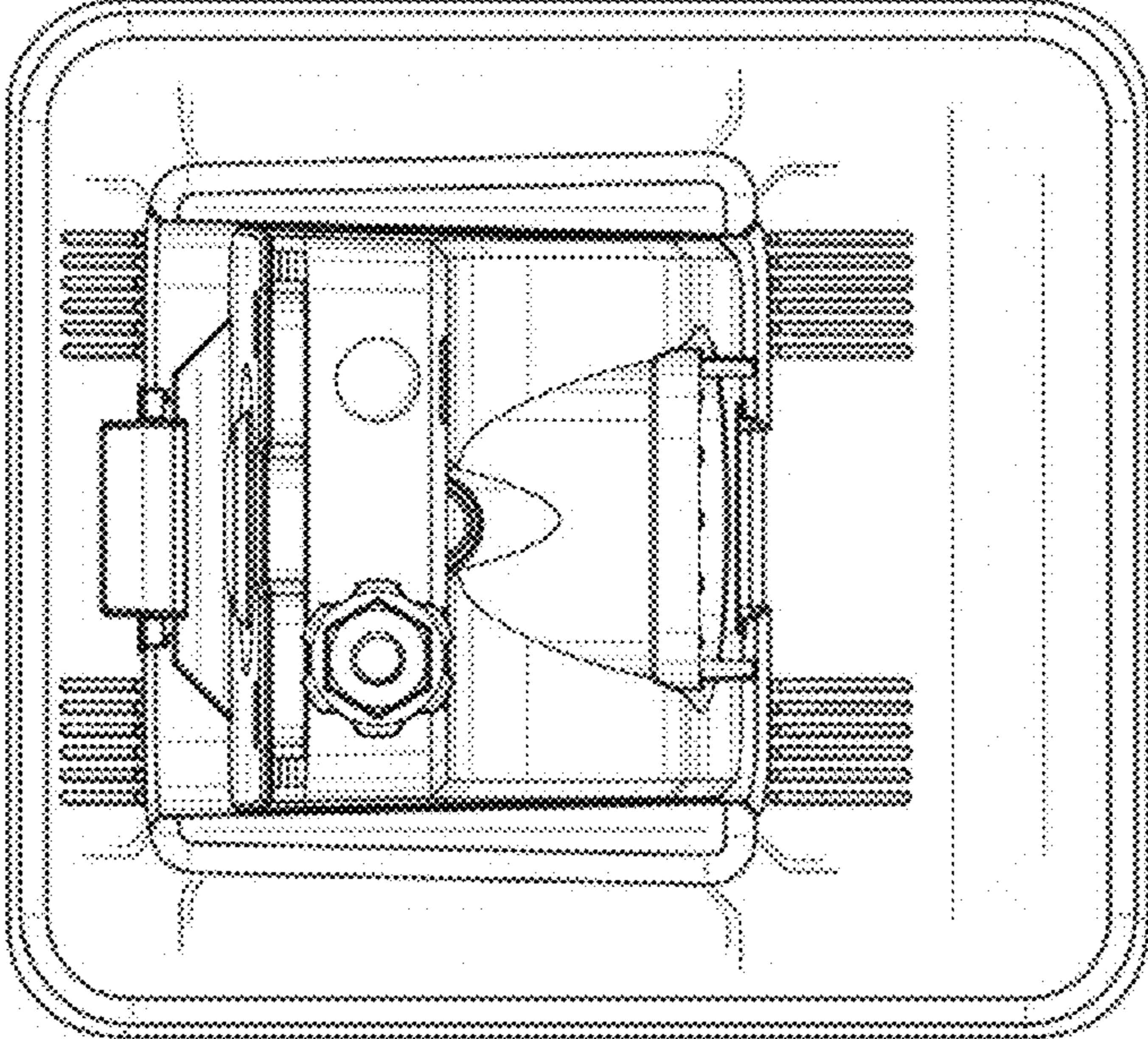


FIG. 6

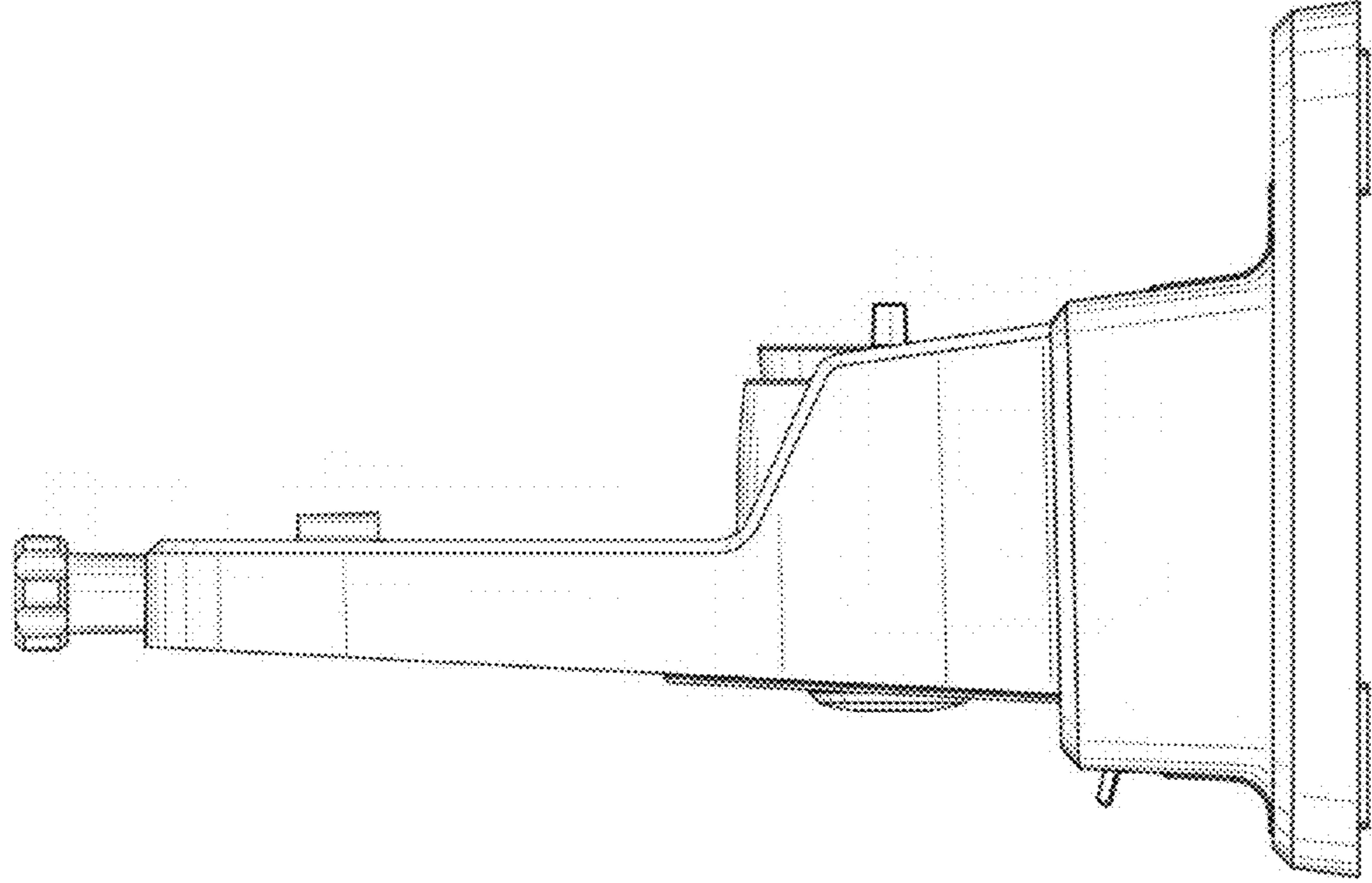


FIG. 5

