



US00D986707S

(12) **United States Design Patent**  
**Fisher**

(10) **Patent No.:** **US D986,707 S**

(45) **Date of Patent:** **\*\* May 23, 2023**

- (54) **FENDER SANDING BLOCK**
- (71) Applicant: **Dale Fisher**, White Pigeon, MI (US)
- (72) Inventor: **Dale Fisher**, White Pigeon, MI (US)
- (\*\*) Term: **15 Years**
- (21) Appl. No.: **29/803,953**
- (22) Filed: **Aug. 17, 2021**
- (51) **LOC (14) Cl.** ..... **08-05**
- (52) **U.S. Cl.**  
USPC ..... **D8/90**
- (58) **Field of Classification Search**  
USPC ..... D8/14, 45, 90; D32/40; D21/491, 500  
CPC ..... B24D 15/02; B24D 15/023; B24D 15/04;  
B24D 18/0009; B24D 15/00  
See application file for complete search history.

- 6,439,988 B1 \* 8/2002 Long ..... B24D 3/32  
451/523
- D480,619 S \* 10/2003 Koenig, Jr. .... D8/90
- D509,723 S \* 9/2005 Smith ..... B24D 15/02  
D8/90
- D612,222 S \* 3/2010 Ali ..... B24D 15/04  
D8/90
- 8,007,349 B2 8/2011 Turnbull
- 8,057,286 B2 11/2011 Walsh
- D834,912 S \* 12/2018 Petersen ..... B24D 15/023  
D8/90
- D861,248 S 9/2019 Barbaglia
- 2003/0224708 A1 \* 12/2003 Koenig, Jr. .... B24D 15/02  
451/523
- 2009/0163123 A1 \* 6/2009 Turnbull ..... B24D 15/023  
451/523
- 2010/0261414 A1 10/2010 Fronck

**FOREIGN PATENT DOCUMENTS**

WO WO 2009000219 12/2008

\* cited by examiner

*Primary Examiner* — Philip S Hyder

(56) **References Cited**

**U.S. PATENT DOCUMENTS**

- 2,655,755 A 10/1953 Lewis
- 5,131,193 A \* 7/1992 Demers ..... B24D 15/023  
451/523
- D329,583 S \* 9/1992 Medina ..... D8/90
- D336,027 S \* 6/1993 Demers ..... D25/124
- D340,397 S \* 10/1993 Demers ..... D8/90
- 5,313,746 A 5/1994 Zarriello
- D348,817 S \* 7/1994 Demers ..... D15/126
- D356,935 S \* 4/1995 Demers ..... D8/90
- D356,936 S \* 4/1995 Demers ..... D8/90
- D357,394 S \* 4/1995 Demers ..... D8/90
- D357,620 S \* 4/1995 Demers ..... D8/90
- D377,305 S \* 1/1997 Bliss ..... D32/42
- 5,662,519 A \* 9/1997 Arnold ..... B24D 15/04  
451/523
- D392,868 S \* 3/1998 Ansalvish ..... D8/90
- D406,515 S \* 3/1999 Ali ..... D8/90
- D406,517 S \* 3/1999 Ali ..... D8/90
- D429,136 S \* 8/2000 Ali ..... D8/90

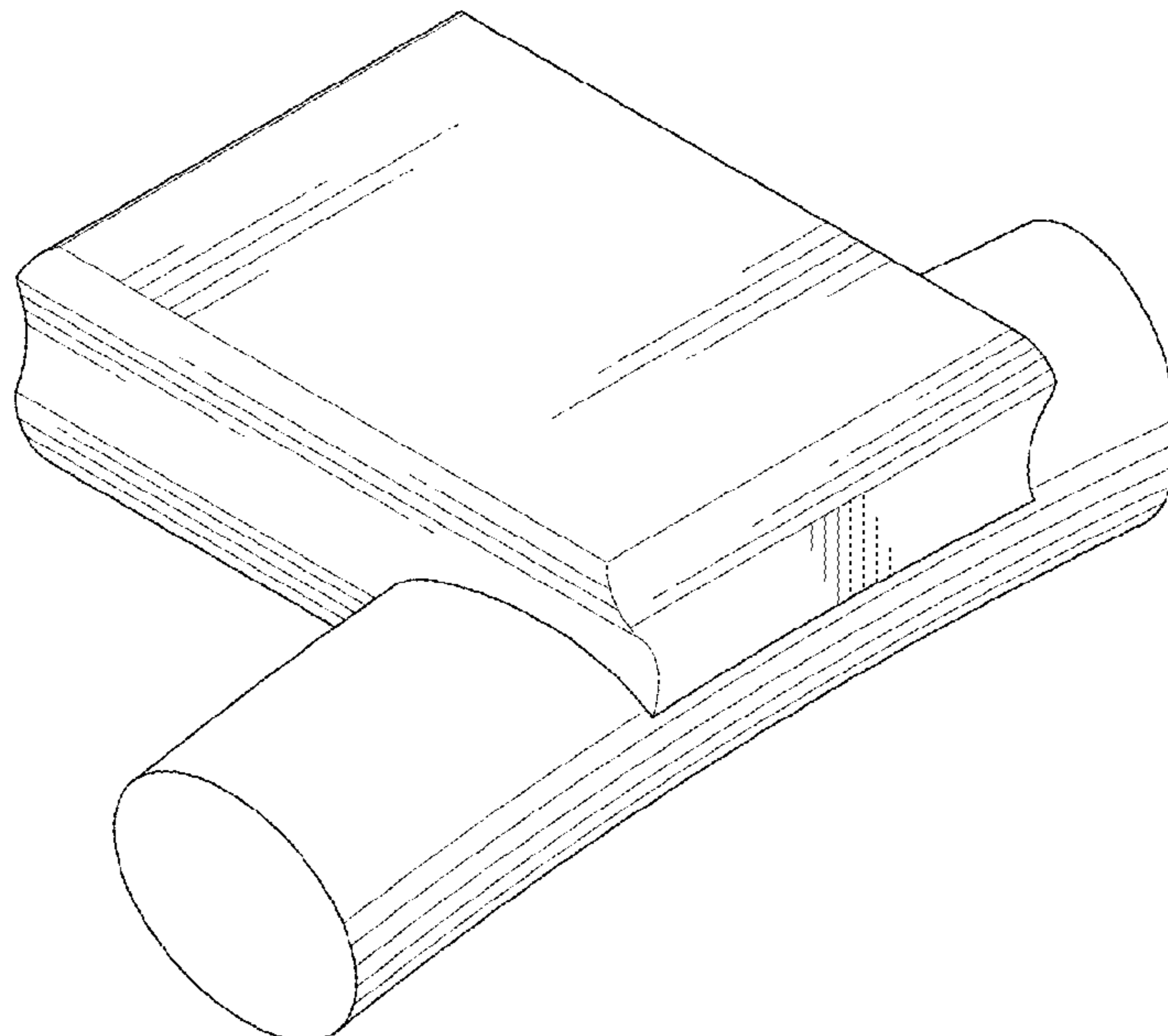
(57) **CLAIM**

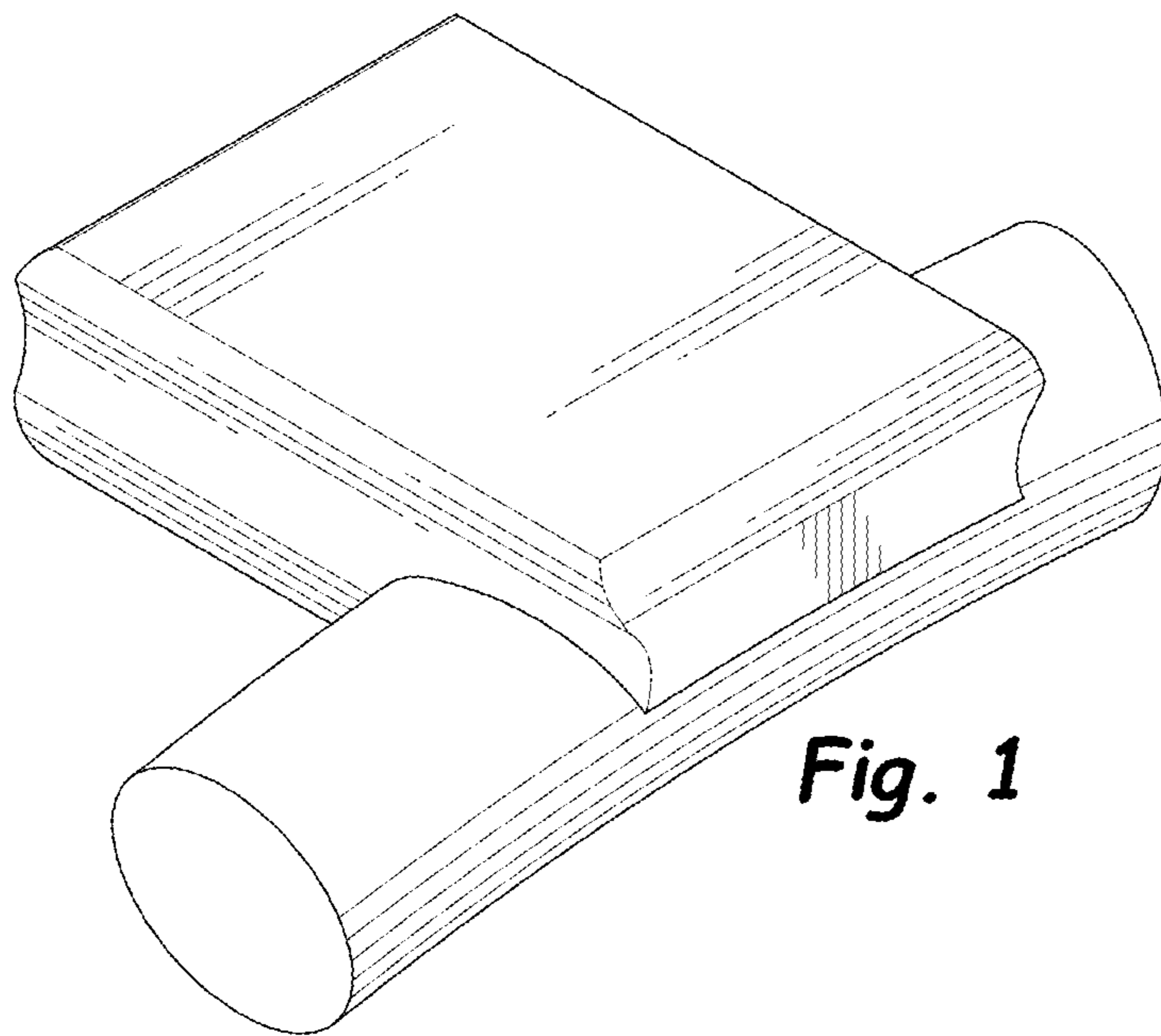
The ornamental design for a fender sanding block, as shown and described.

**DESCRIPTION**

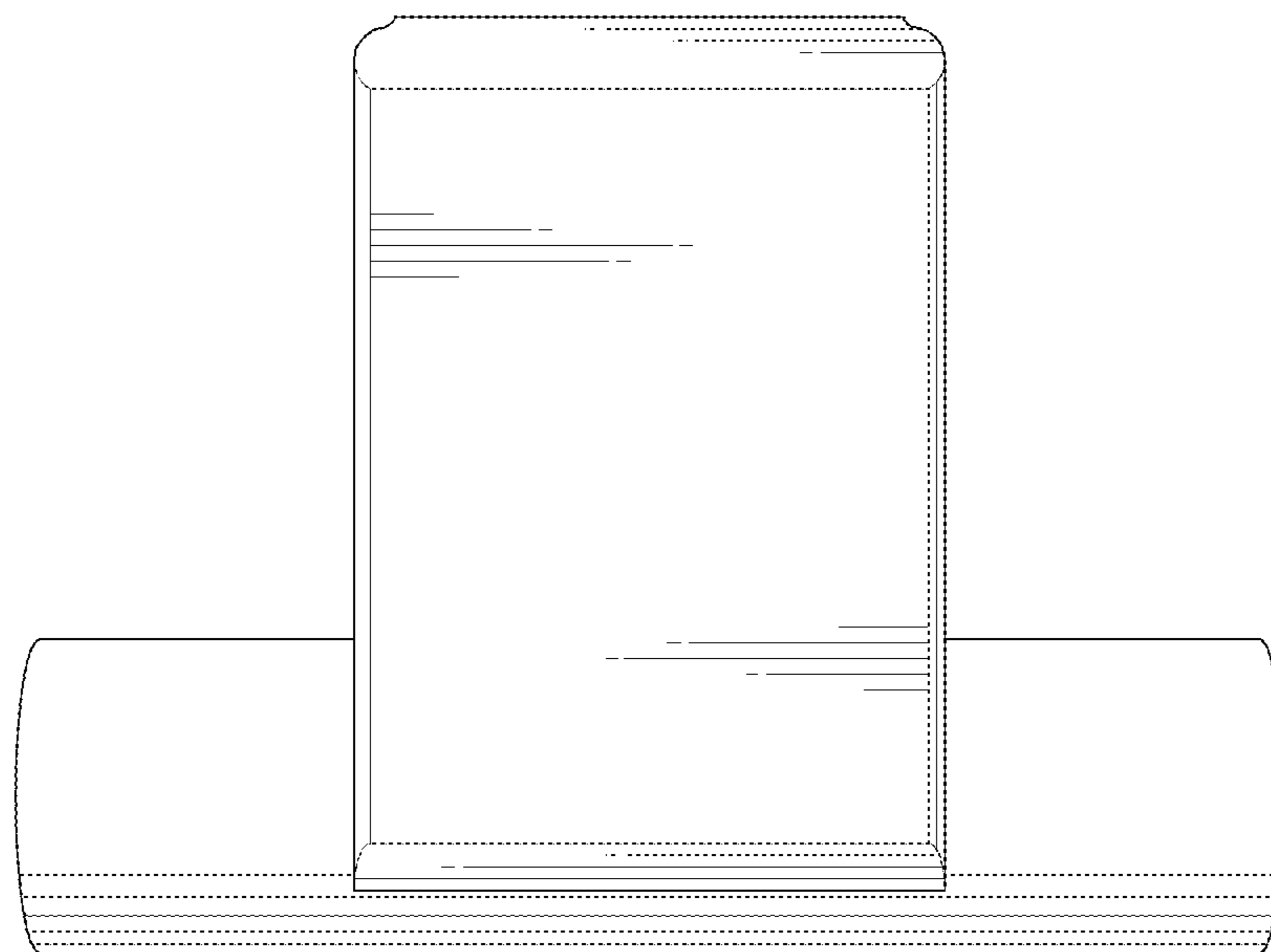
FIG. 1 is a top front side perspective view of a fender sanding block showing my new design;  
 FIG. 2 is a top view of the fender sanding block;  
 FIG. 3 is a front view of the fender sanding block;  
 FIG. 4 is a rear view of the fender sanding block;  
 FIG. 5 is a left side view of the fender sanding block;  
 FIG. 6 is a right side view of the fender sanding block; and,  
 FIG. 7 is a bottom view of the fender sanding block.

**1 Claim, 2 Drawing Sheets**

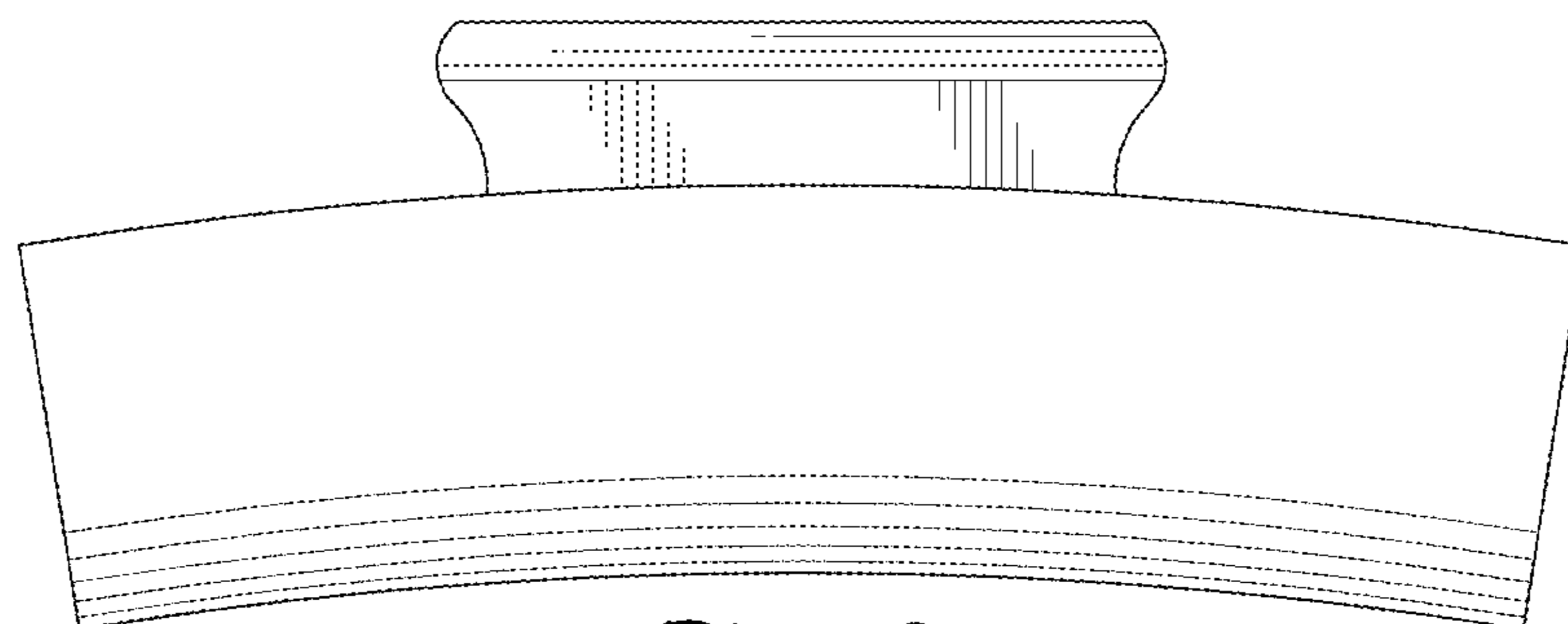




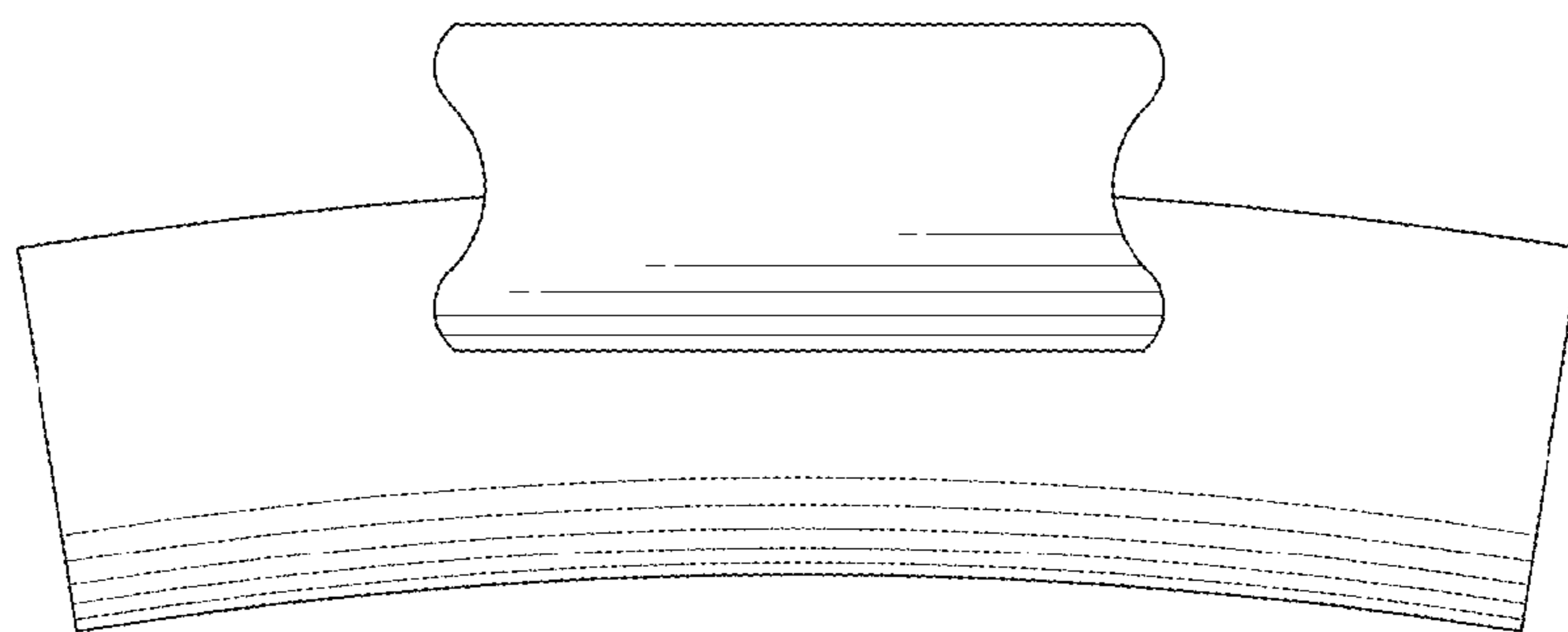
**Fig. 1**



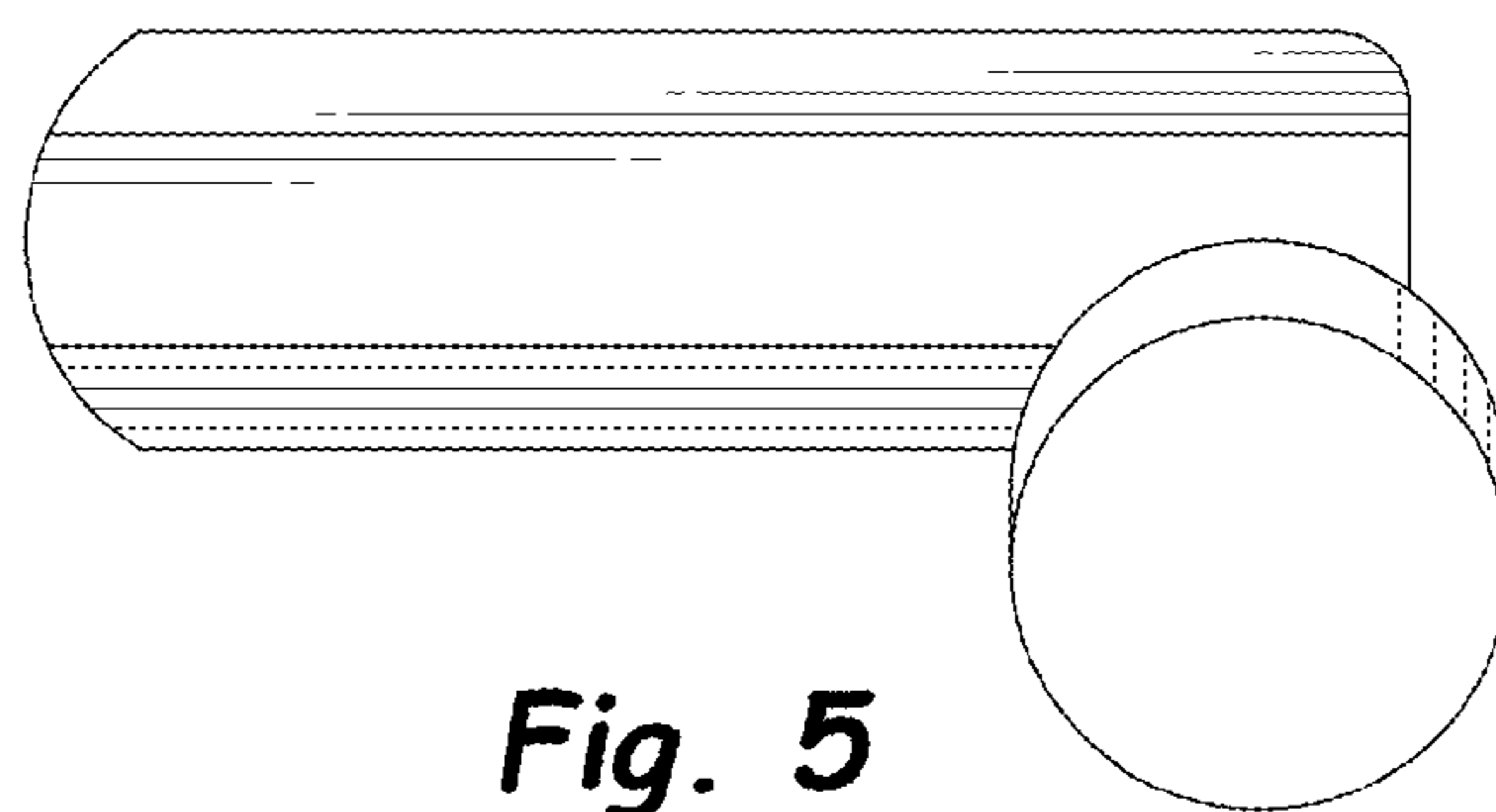
**Fig. 2**



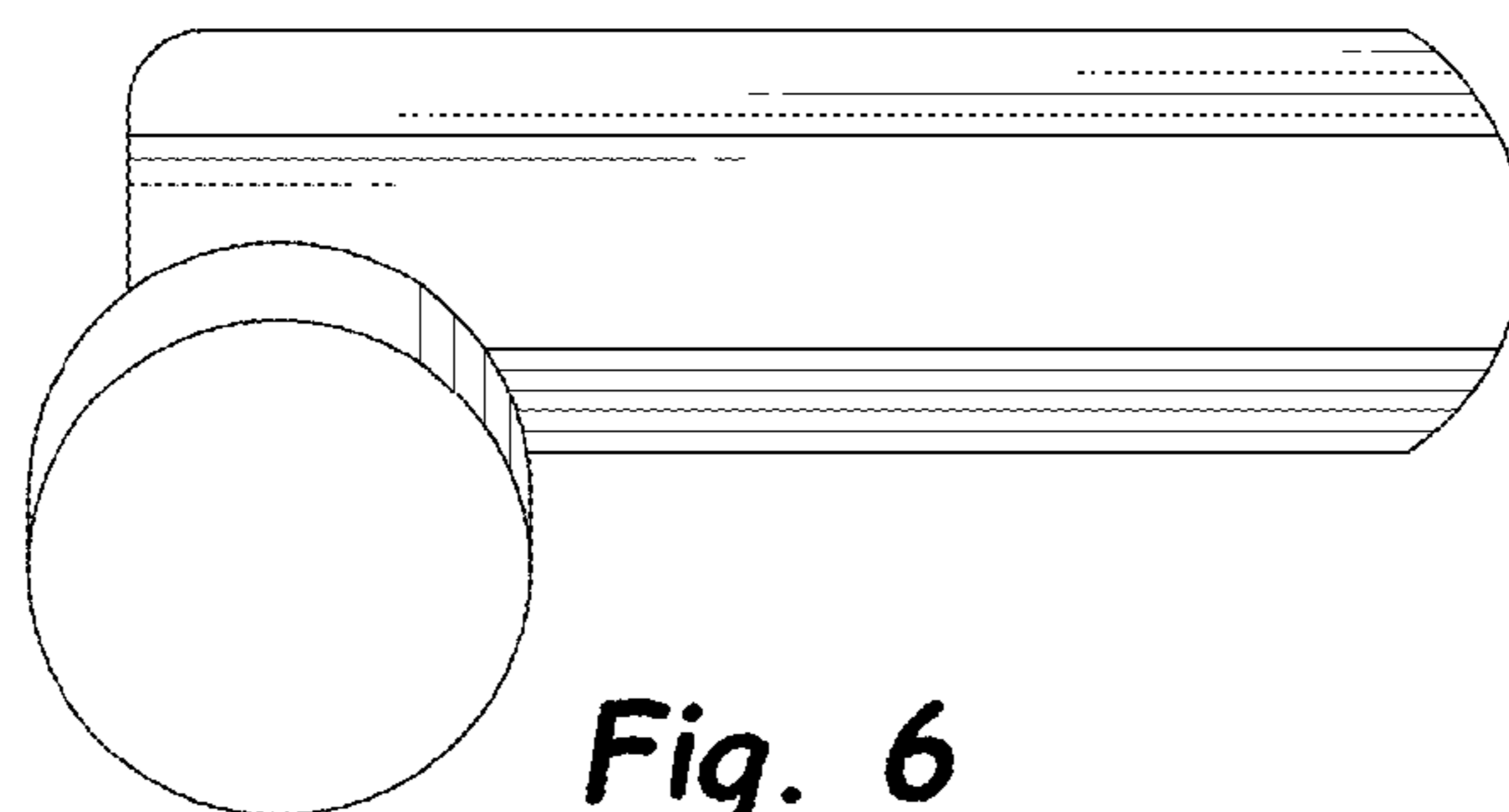
**Fig. 3**



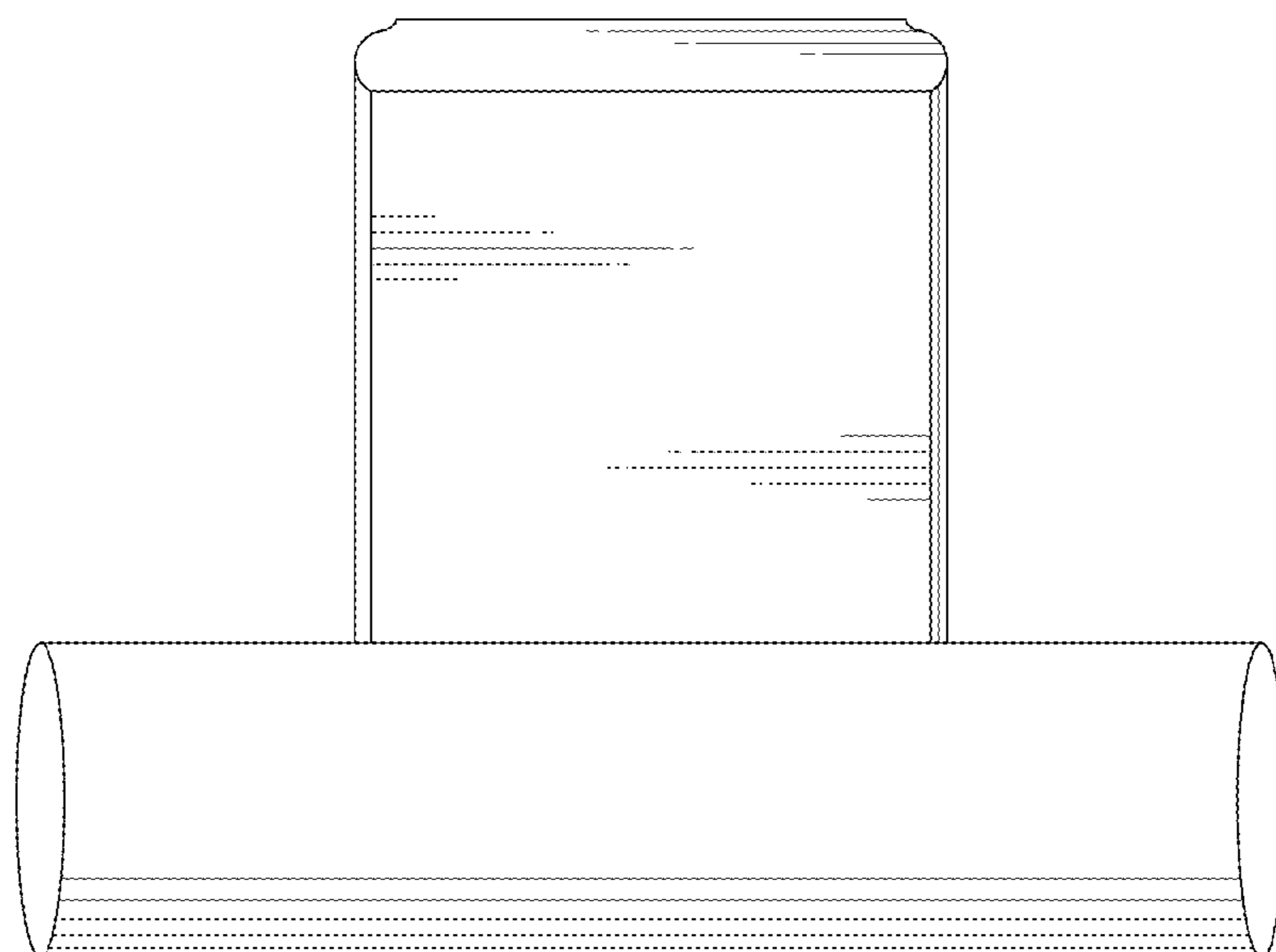
**Fig. 4**



**Fig. 5**



**Fig. 6**



**Fig. 7**