



US00D986706S

(12) **United States Design Patent** (10) **Patent No.:** **US D986,706 S**
Smith (45) **Date of Patent:** **** May 23, 2023**

(54) **EDGE SANDER**

D726,384 S * 4/2015 Jenden D32/52
D826,680 S * 8/2018 Ali D8/90
D875,501 S * 2/2020 Dedrick D8/90

(71) Applicant: **Hunter D. Smith**, Wheaton, IL (US)

(72) Inventor: **Hunter D. Smith**, Wheaton, IL (US)

(73) Assignee: **Nomis LLC**, Palatine, IL (US)

(**) Term: **15 Years**

(21) Appl. No.: **29/783,142**

(22) Filed: **May 11, 2021**

(51) **LOC (14) Cl.** **08-05**

(52) **U.S. Cl.**

USPC **D8/90**

(58) **Field of Classification Search**

USPC D8/14, 45, 90; D32/52, 40

CPC B24D 15/00; B24D 15/02; B24D 15/023;
B24D 15/04; B24B 7/182

See application file for complete search history.

(56) **References Cited**

U.S. PATENT DOCUMENTS

5,337,523 A 8/1994 Walsh
5,690,547 A * 11/1997 Holland, Jr. B24D 15/023
451/523
D392,079 S * 3/1998 Omerza D32/40
D406,224 S * 3/1999 Ali D8/90
D406,514 S * 3/1999 Ali D8/90
D406,515 S * 3/1999 Ali D8/90
D406,516 S * 3/1999 Ali D8/90
D406,517 S * 3/1999 Ali D8/90
D411,672 S * 6/1999 McCoy B24D 15/023
D32/46
5,993,306 A * 11/1999 McCoy B24D 15/04
451/523
D453,672 S * 2/2002 McCoy B24D 15/04
D8/90
6,439,983 B1 * 8/2002 McCoy E04F 21/1655
451/354
D564,325 S * 3/2008 Henke D8/90
D648,794 S * 11/2011 Yuan D19/187
D661,566 S * 6/2012 Comstock D8/90
D707,525 S * 6/2014 Ali D8/90

OTHER PUBLICATIONS

FastBreak Dual Edge Sander; <https://www.fastcap.com/product/fastbreak-sander>; Known to applicant on or before Dec. 4, 2020.

Wrap Around 5" Disc Hand Sander; [https://www.amazon.com/Sanding-Backing-Mouse-Shaped-Woodworking-Automotive](https://www.amazon.com/Sanding-Backing-Mouse-Shaped-Woodworking-Automotive/dp/B08J7TRZPL/ref=asc_df_B08J7TRZPL/?tag=hyprod-20&linkCode=df0&hvadid=475689981997&hvpos=&hvnetw=g&hvrnd=6641857940438439284&hvpone=&hvptwo=&hvgmt=&hvdev=c&hvdvcmdl=&hvlocint=&hvlocphy=9021556&hvtargid=pla-1017510800149&psc=1://www.amazon.com/Sanding-Backing-Mouse-Shaped-Woodworking-Automotive); Known to the applicant on or before Dec. 4, 2020.

Circular 5" Hand Sander; https://www.amazon.com/Sackorange-Hook-Loop-Sanding-Block/dp/B07JKTY7TG/ref=asc_df_B07JKTY7TG/?tag=hyprod-20&linkCode=df0&hvadid=309832851244&hvpos=&hvnetw=g&hvrnd=6641857940438439284&hvpone=&hvptwo=&hvgmt=&hvdev=c&hvdvcmdl=hvlocint=&hvlocphy=9021556&hvtargid=pla-611337183107&psc=1&tag=&ref=&adgrpid=64417494871&hvpone=&hvptwo=&hvadid=309832851244&hvpos=&hvnetw=g&hvrnd=6641857940438439284&hvgmt=&hvdev=c&hvdvcmdl=&hvlocint=&hvlocphy=9021556&hvtargid=pla-611337183107; Known to the applicant on or before Dec. 4, 2020.

* cited by examiner

Primary Examiner — Philip S Hyder
(74) *Attorney, Agent, or Firm* — Reinhart Boerner Van Deuren P.C.

(57) **CLAIM**

I claim the ornamental design for the edge sander, as shown and described.

DESCRIPTION

FIG. 1 is a top perspective view of the edge sander;
FIG. 2 is a bottom perspective view thereof;
FIG. 3 is a front view thereof;
FIG. 4 is a back view thereof;
FIG. 5 is a side view thereof;

(Continued)

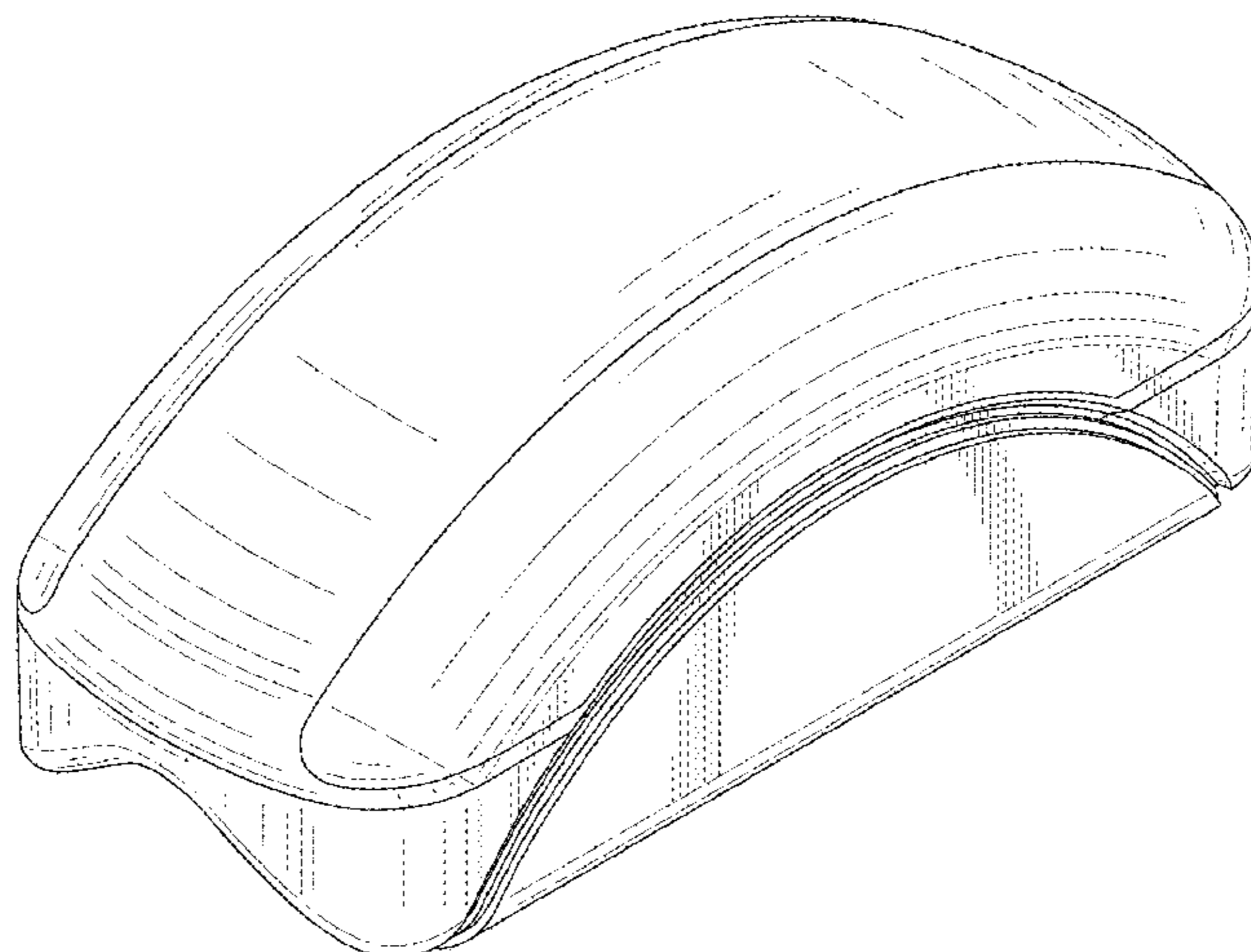


FIG. 6 is a side view thereof showing the side opposite that shown in FIG. 5;

FIG. 7 is a top view thereof; and,

FIG. 8 is a bottom view thereof.

1 Claim, 7 Drawing Sheets

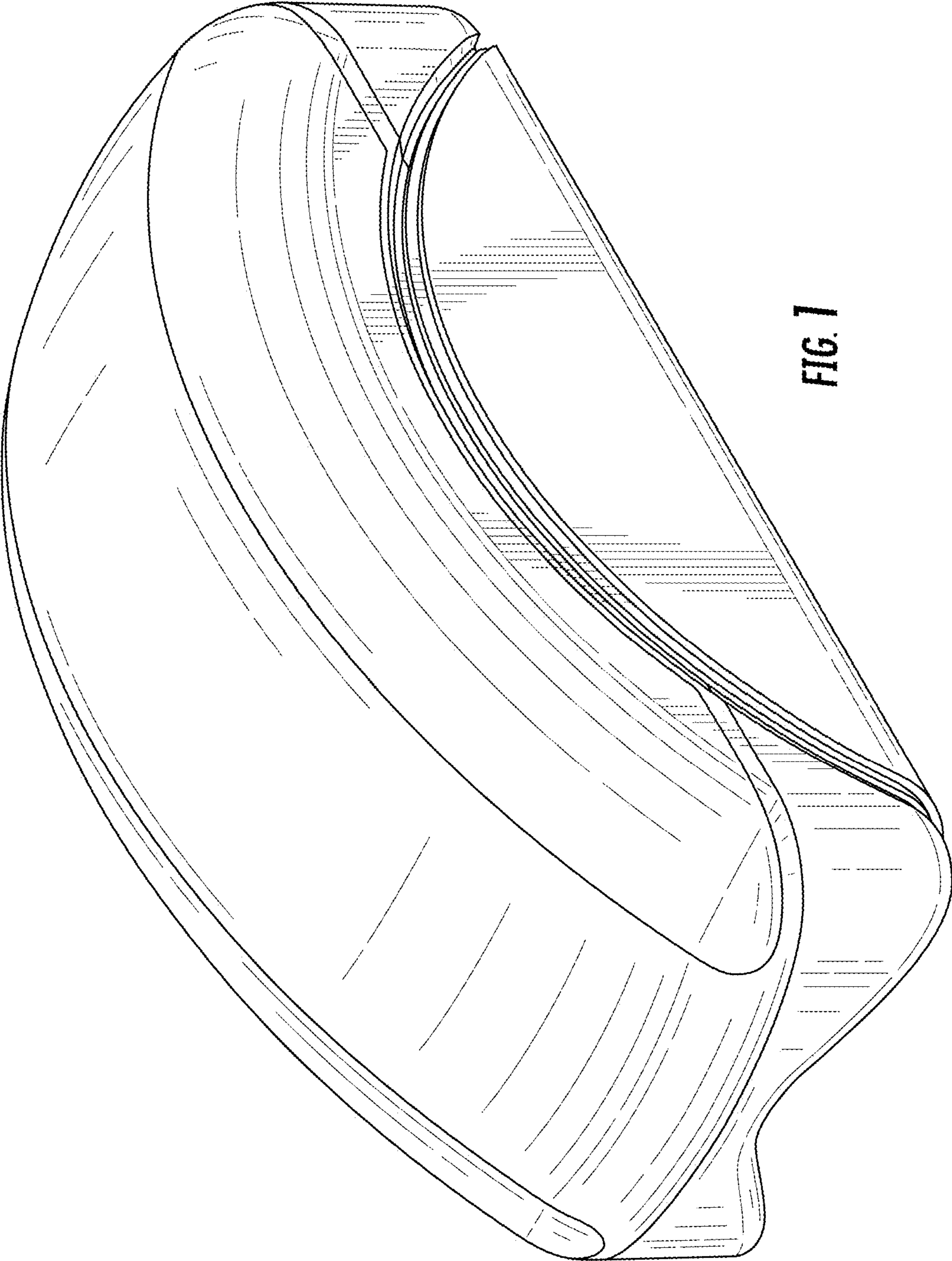


FIG. 1

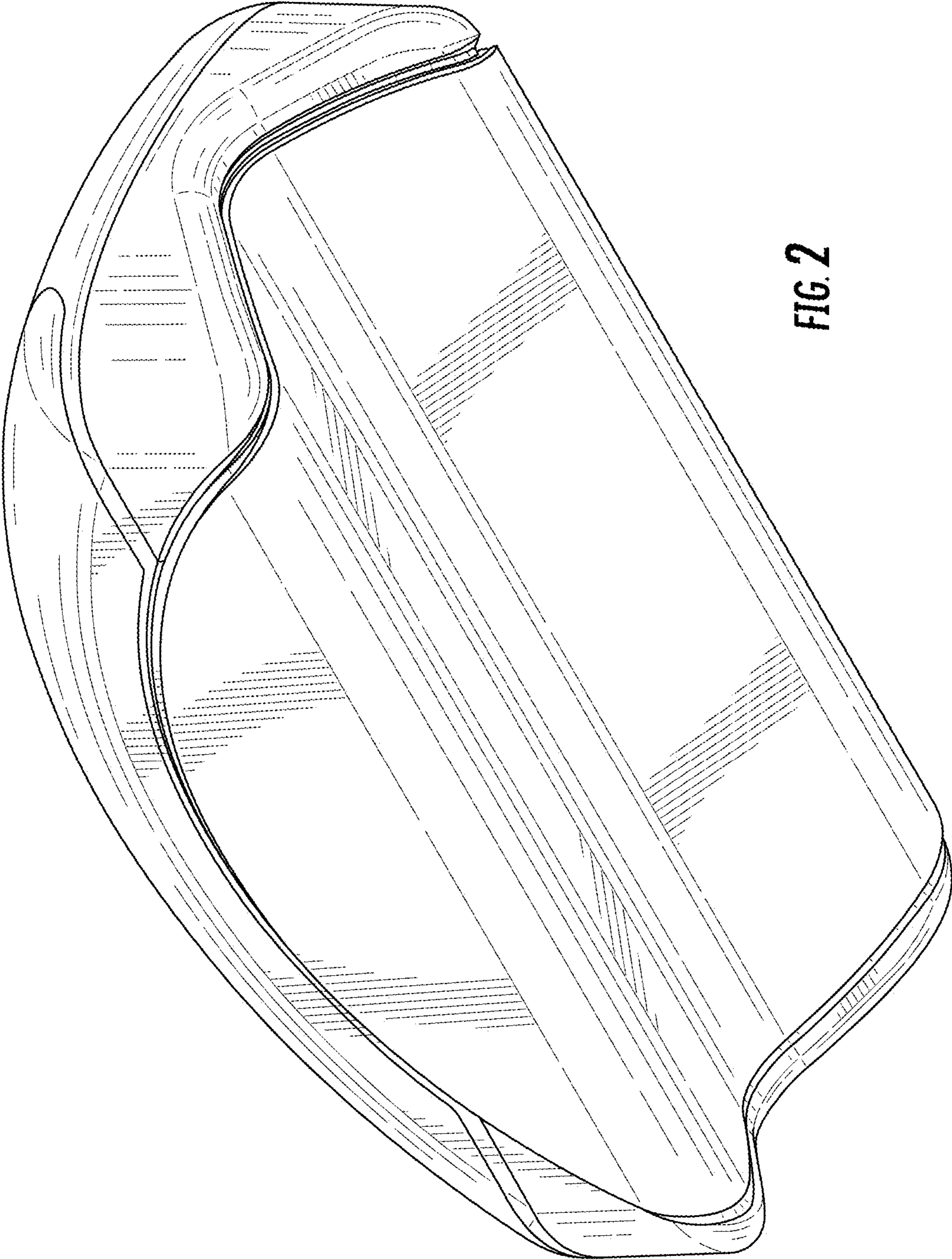


FIG. 2

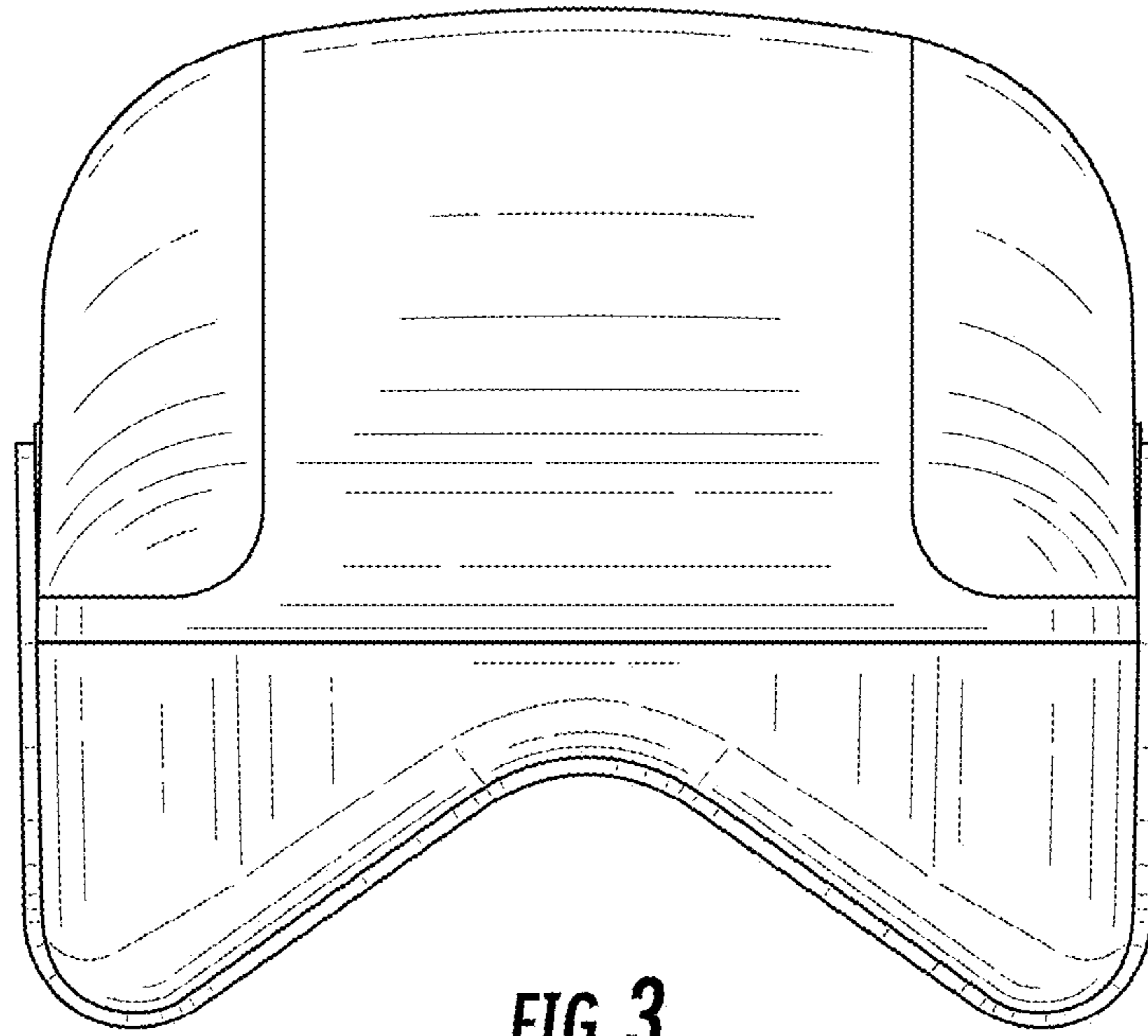


FIG. 3

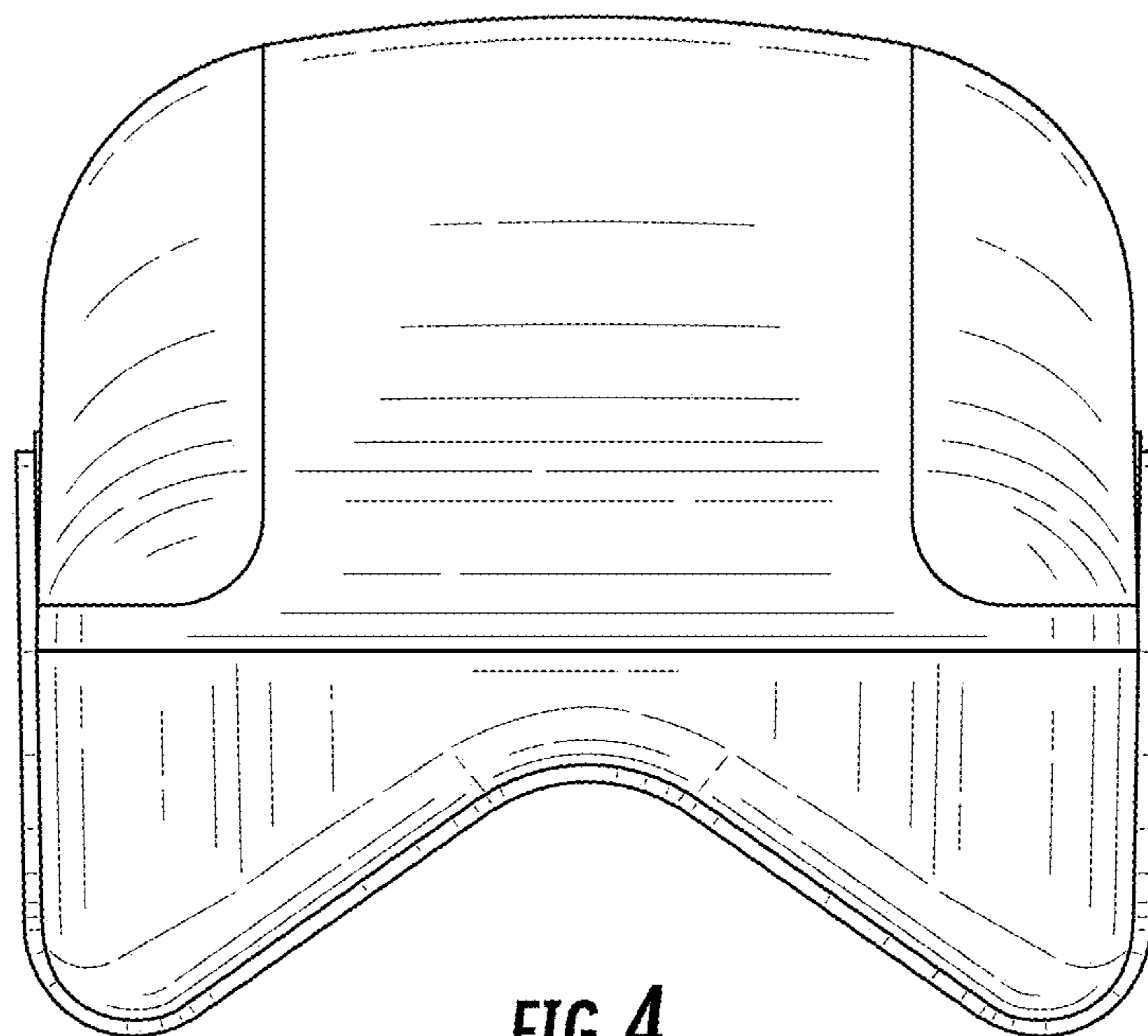


FIG. 4

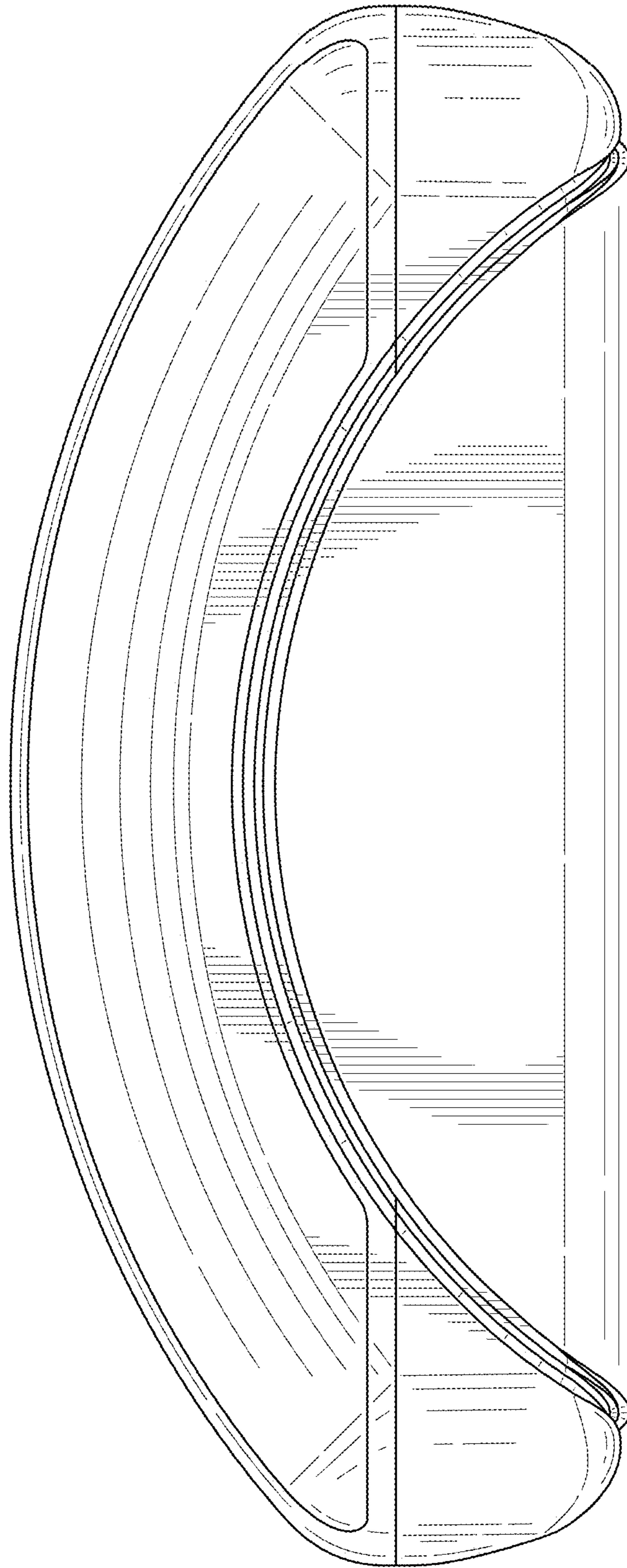


FIG. 5

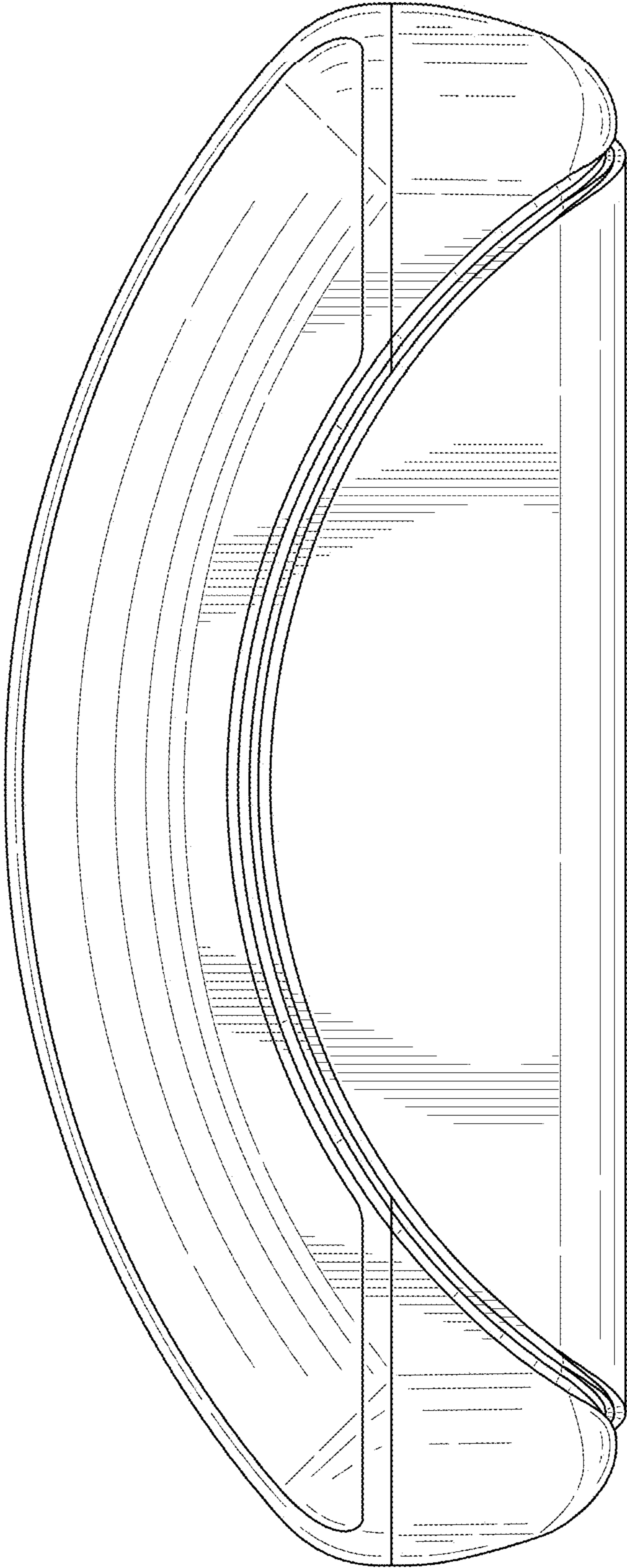


FIG. 6

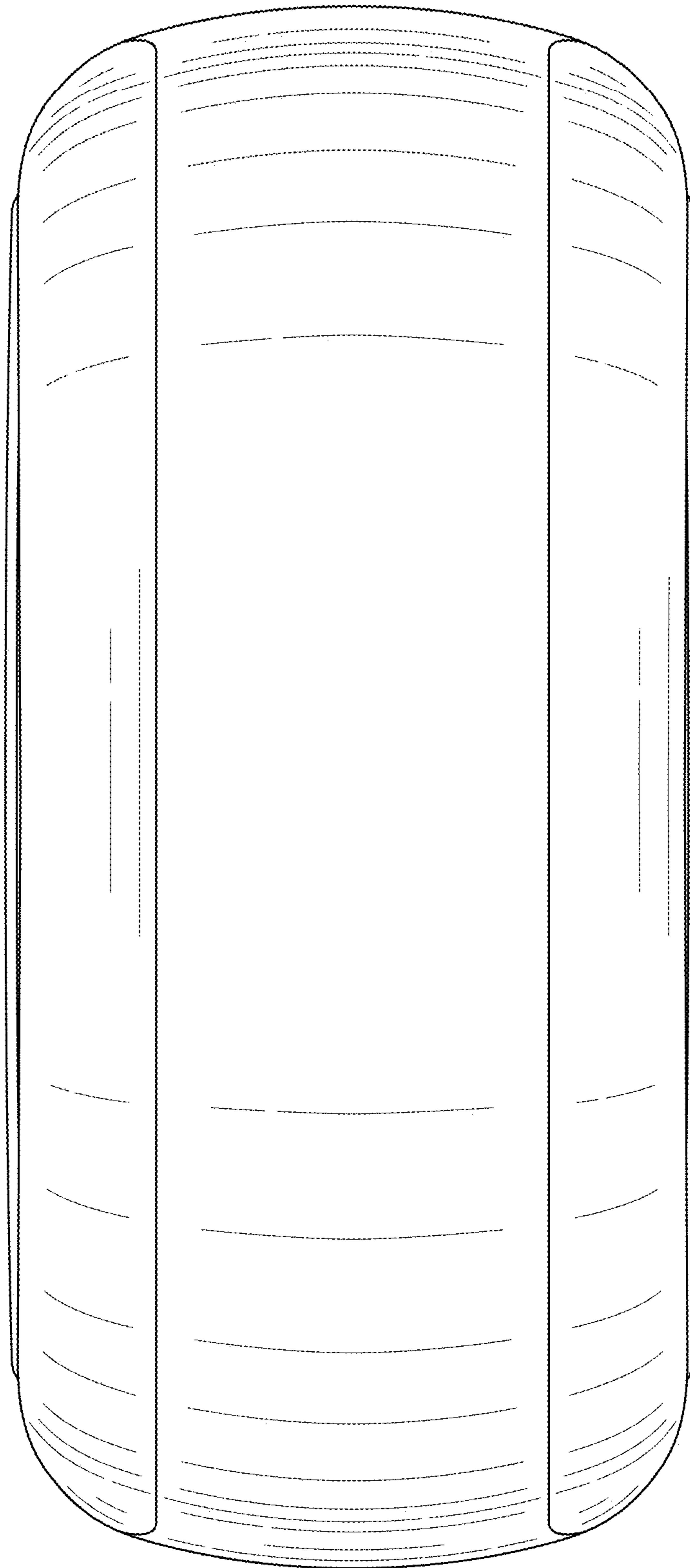


FIG. 7

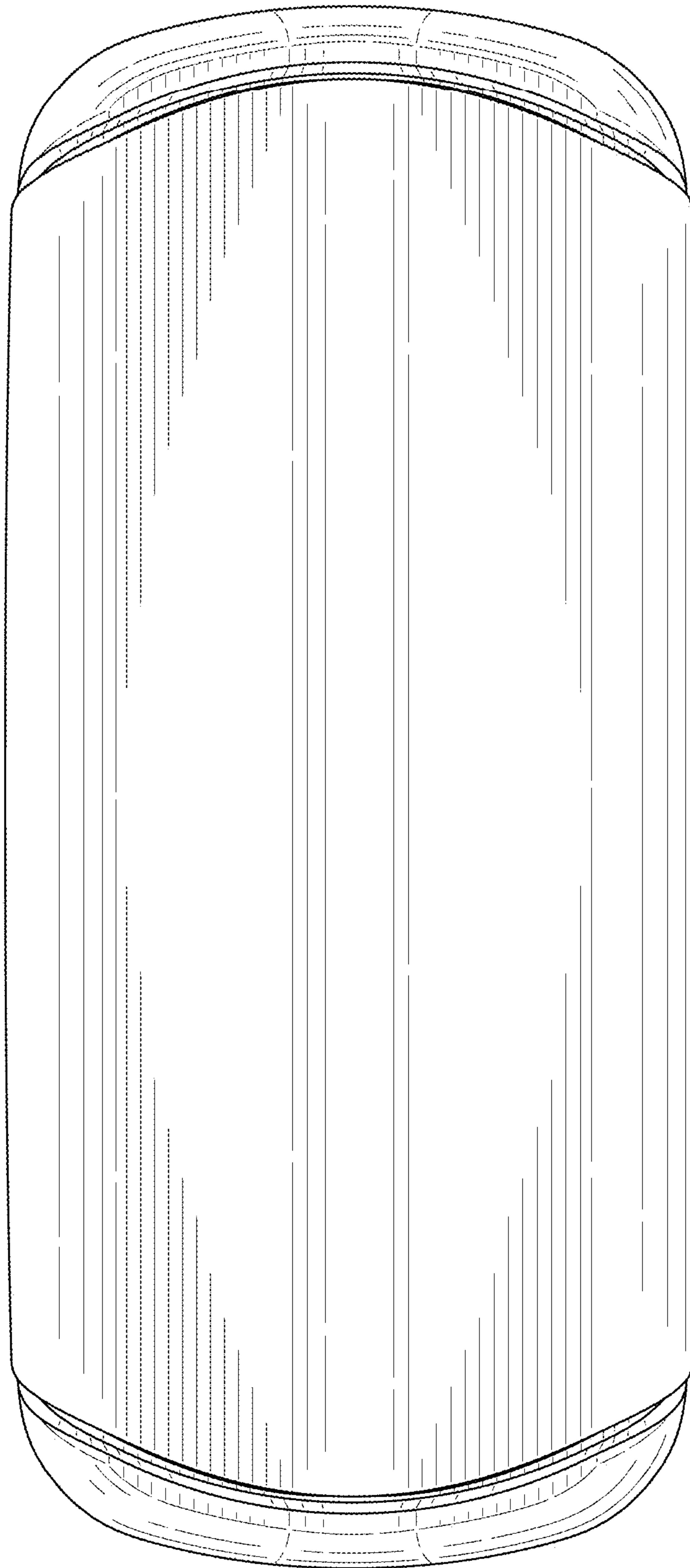


FIG. 8