



US00D986703S

(12) **United States Design Patent** (10) **Patent No.:** **US D986,703 S**
Hart (45) **Date of Patent:** **** May 23, 2023**

- (54) **DRILL GUIDE**
- (71) Applicant: **Brent Hart**, Springfield, MO (US)
- (72) Inventor: **Brent Hart**, Springfield, MO (US)
- (**) Term: **15 Years**
- (21) Appl. No.: **29/768,211**
- (22) Filed: **Jan. 28, 2021**
- (51) **LOC (14) Cl.** **08-05**
- (52) **U.S. Cl.**
USPC **D8/70**
- (58) **Field of Classification Search**
USPC D8/70, 71; D10/61, 64, 65; D15/122,
D15/199, 139, 126, 133, 132, 138, 140;
D24/140, 133, 152, 176, 181, 155, 156
CPC A61C 1/082; A61C 1/084; A61C 1/085;
A61C 3/04; A61C 11/06; B23B 47/28;
B23B 47/287; B23B 47/288; B23B
49/026; B23B 2226/61; B23B 2226/75;
B23B 2260/118; B25B 5/068; B25B
5/145; B25B 27/18; Y10T 408/5583;
Y10T 408/50; Y10T 29/49821; Y10T
408/568; Y10T 408/567; Y10T 408/554
See application file for complete search history.

- (56) **References Cited**
U.S. PATENT DOCUMENTS
550,767 A 12/1895 Thielscher B23B 47/28
1,946,537 A 8/1933 Kuppermith B23Q 3/00
2,014,025 A 9/1935 McGarry B23B 47/28
2,165,485 A * 7/1939 Jackman B25B 27/18
408/81
2,360,942 A * 10/1944 Ellerstein B25H 1/0078
408/112
2,539,223 A * 1/1951 Bellek B23B 51/0054
408/81
2,830,795 A * 4/1958 Center, Jr. E21B 10/44
125/20

D191,227 S	8/1961	Brosene, Jr.	D15/138
3,743,433 A	7/1973	Smith	B23B 47/281
D289,153 S *	4/1987	Silberman	D12/215
D291,528 S *	8/1987	Degen	D8/71
4,705,436 A	10/1987	Robertson	B23B 47/287
D295,016 S *	4/1988	Forrester	D8/71
D301,208 S *	5/1989	Totten	D10/61
5,056,966 A	10/1991	Lee	B23B 47/287
D324,526 S *	3/1992	Degen	D15/138
D353,674 S *	12/1994	Jorneus	D24/156
D385,617 S *	10/1997	Fowler	D23/223
D404,630 S *	1/1999	Cooper	D8/70
D474,093 S *	5/2003	Chang	D8/71

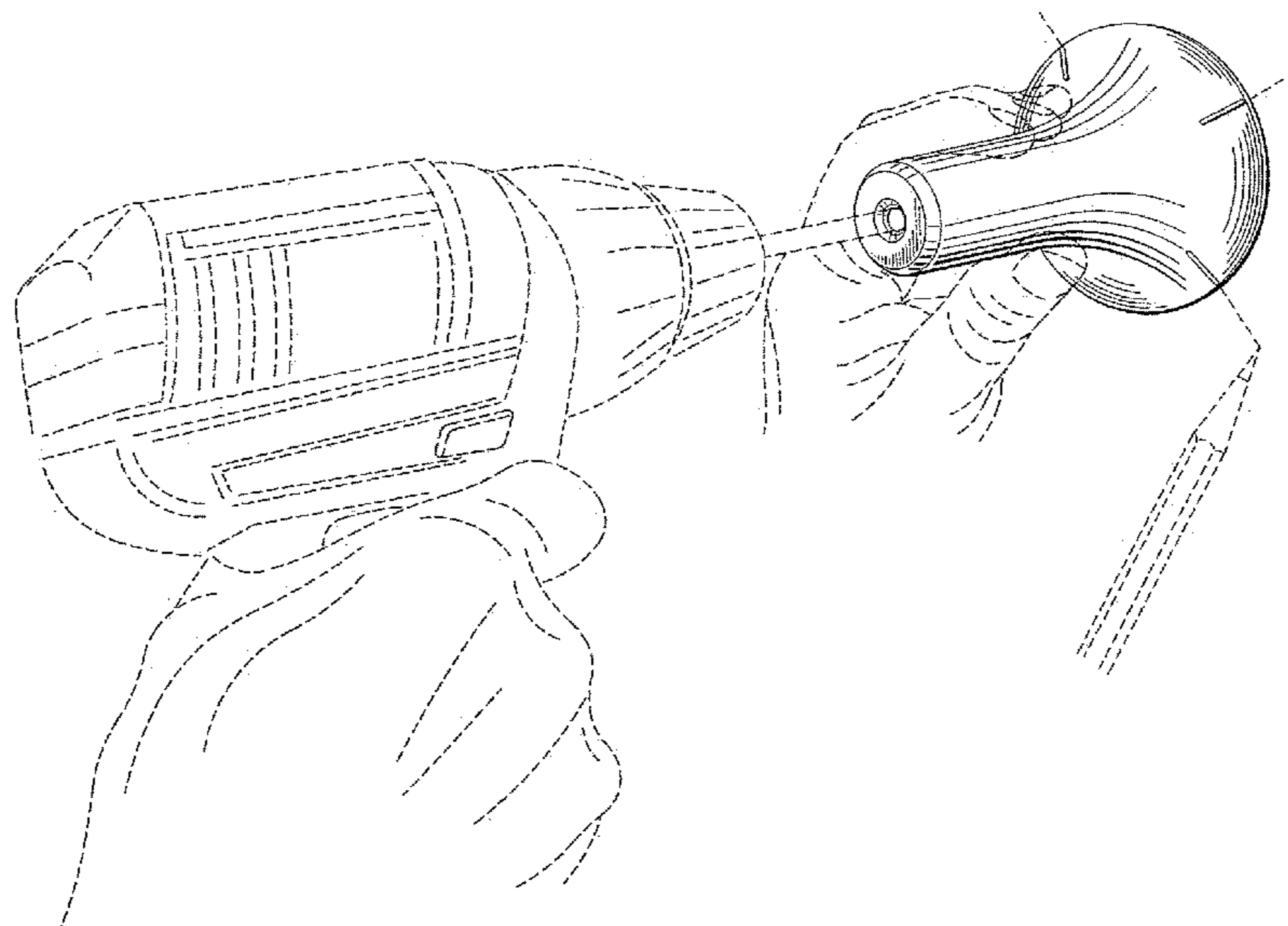
(Continued)

Primary Examiner — Eliza Z Harvey
Assistant Examiner — Kayla Marie Bennett
(74) *Attorney, Agent, or Firm* — Jonathan A. Bay

(57) **CLAIM**
The ornamental design for a drill guide, as shown and described.

DESCRIPTION
FIG. 1 is a perspective view of a drill guide showing my new design in an environment of use;
FIG. 2 is a perspective view thereof, shown in an alternate environment of use;
FIG. 3 is a front elevational view thereof, shown removed from the environment for clarity of disclosure; the rear elevational view being a mirror image thereof, therefore not shown;
FIG. 4 is a right-side elevational view thereof; the left-side elevational view being a mirror image thereof, therefore not shown;
FIG. 5 is a top plan view of FIG. 3;
FIG. 6 is a bottom plan view thereof; and,
FIG. 7 is a cross sectional view of the drill guide cut along the line of “VII-VII” in FIG. 4.
The broken lines in the drawing represent environmental subject matter that forms no part of the claimed design.

1 Claim, 7 Drawing Sheets



(56)

References Cited

U.S. PATENT DOCUMENTS

D488,696	S *	4/2004	Merritt	D8/70
D600,346	S *	9/2009	Petersen	D24/140
D632,941	S *	2/2011	Noniewicz	D8/71
8,376,333	B2	2/2013	Zander	B23B 47/287
D679,028	S *	3/2013	Tipton	D25/113
D695,584	S *	12/2013	Chen	D8/86
D696,093	S *	12/2013	Mackay-Sim	D8/70
D705,632	S	5/2014	Larson et al.	D8/71
D724,405	S	3/2015	Larson et al.	D8/71
D736,584	S *	8/2015	Larson	D8/71
D814,901	S *	4/2018	Anderson	D10/64
D818,335	S *	5/2018	Walters	D15/138
10,022,808	B2	7/2018	Chang	B23B 49/02
D857,198	S *	8/2019	Jamison	D24/140
D860,449	S *	9/2019	Jamison	D24/140
D868,965	S *	12/2019	Jamison	D24/140
D873,316	S *	1/2020	Lyon	D15/139
2003/0157457	A1 *	8/2003	Blacklock	A61B 17/176 433/76
2005/0129472	A1 *	6/2005	Liu	E05B 17/06 408/115 R
2006/0245835	A1 *	11/2006	Hechtle	B23B 49/026 408/115 B

* cited by examiner

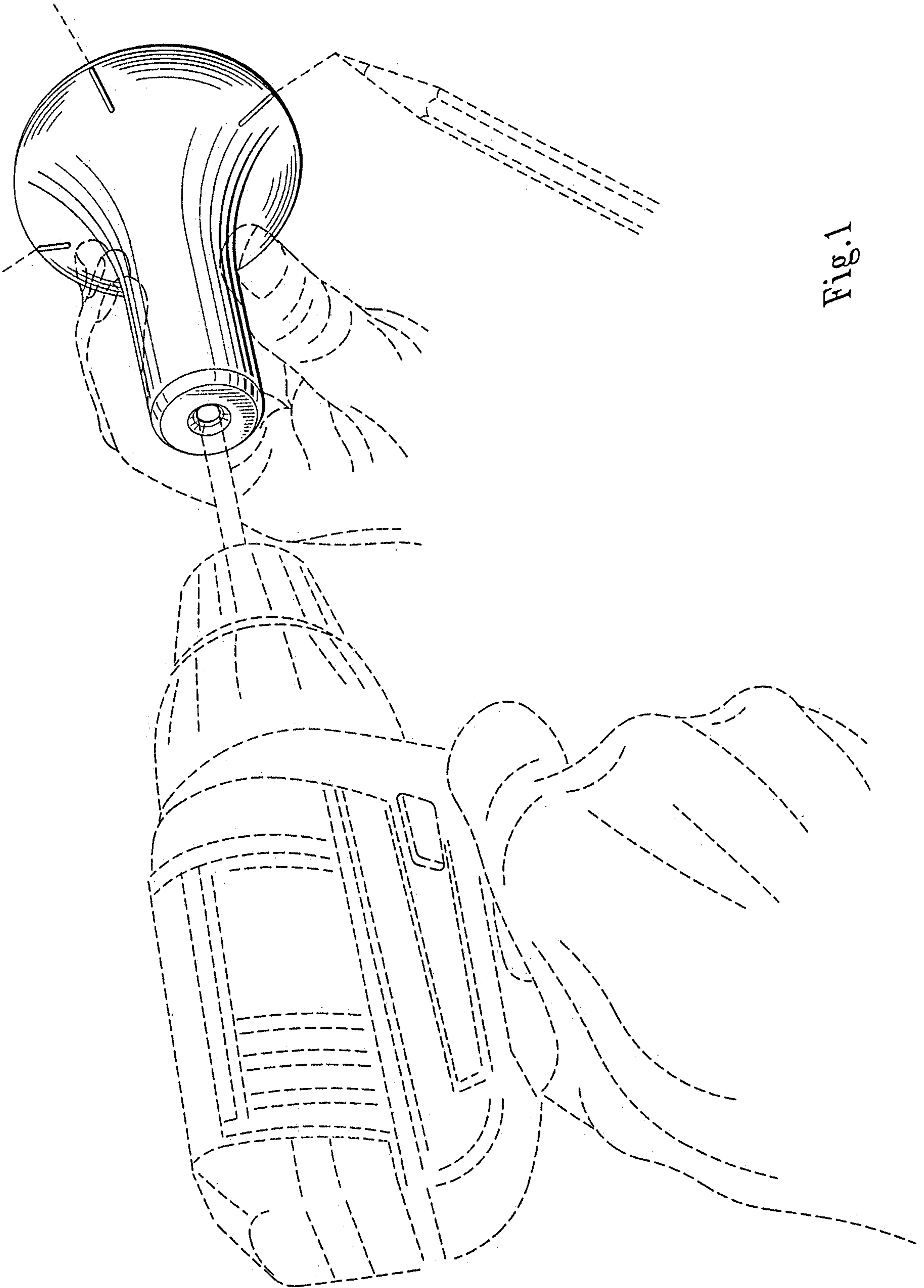


Fig. 1

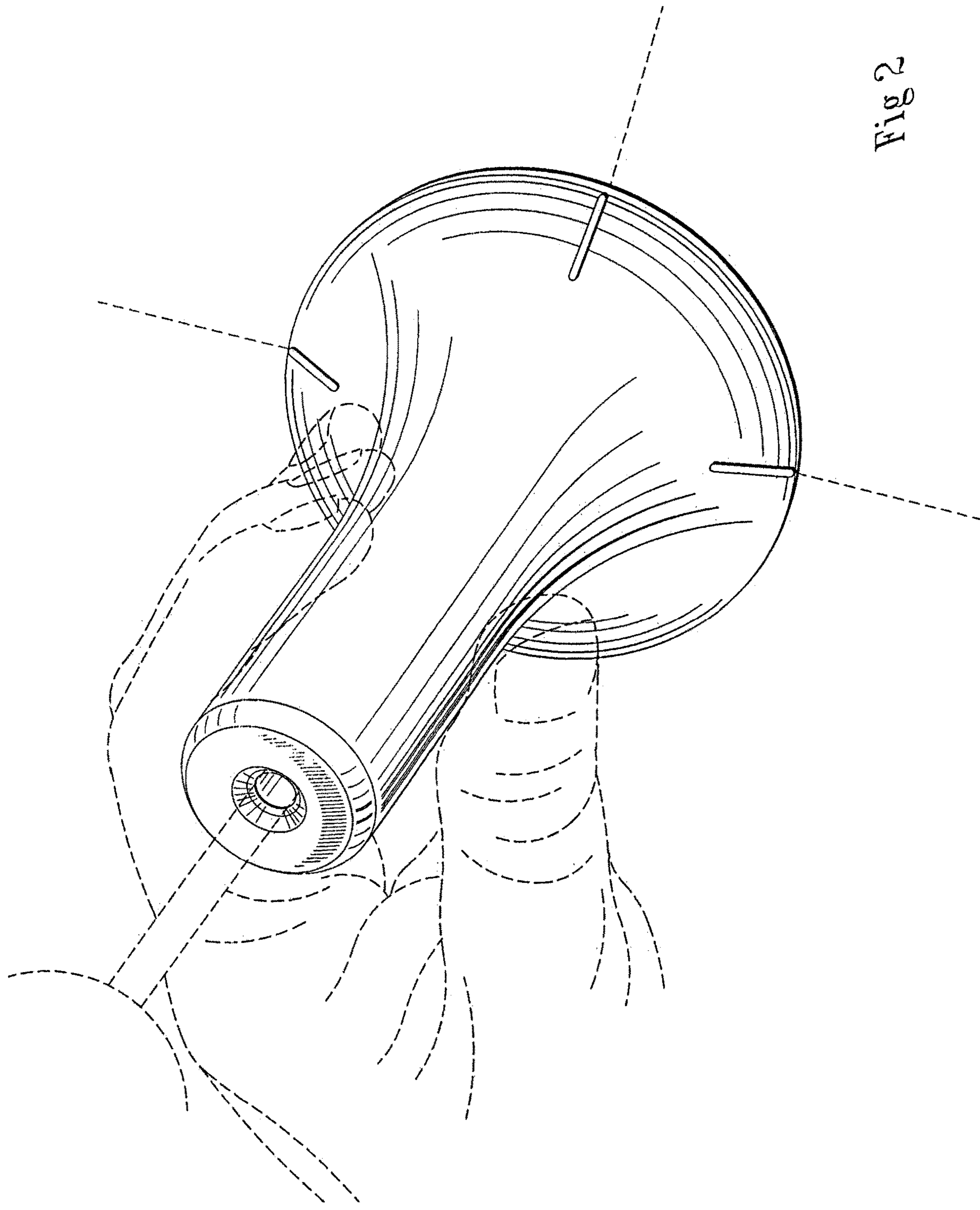


Fig 2

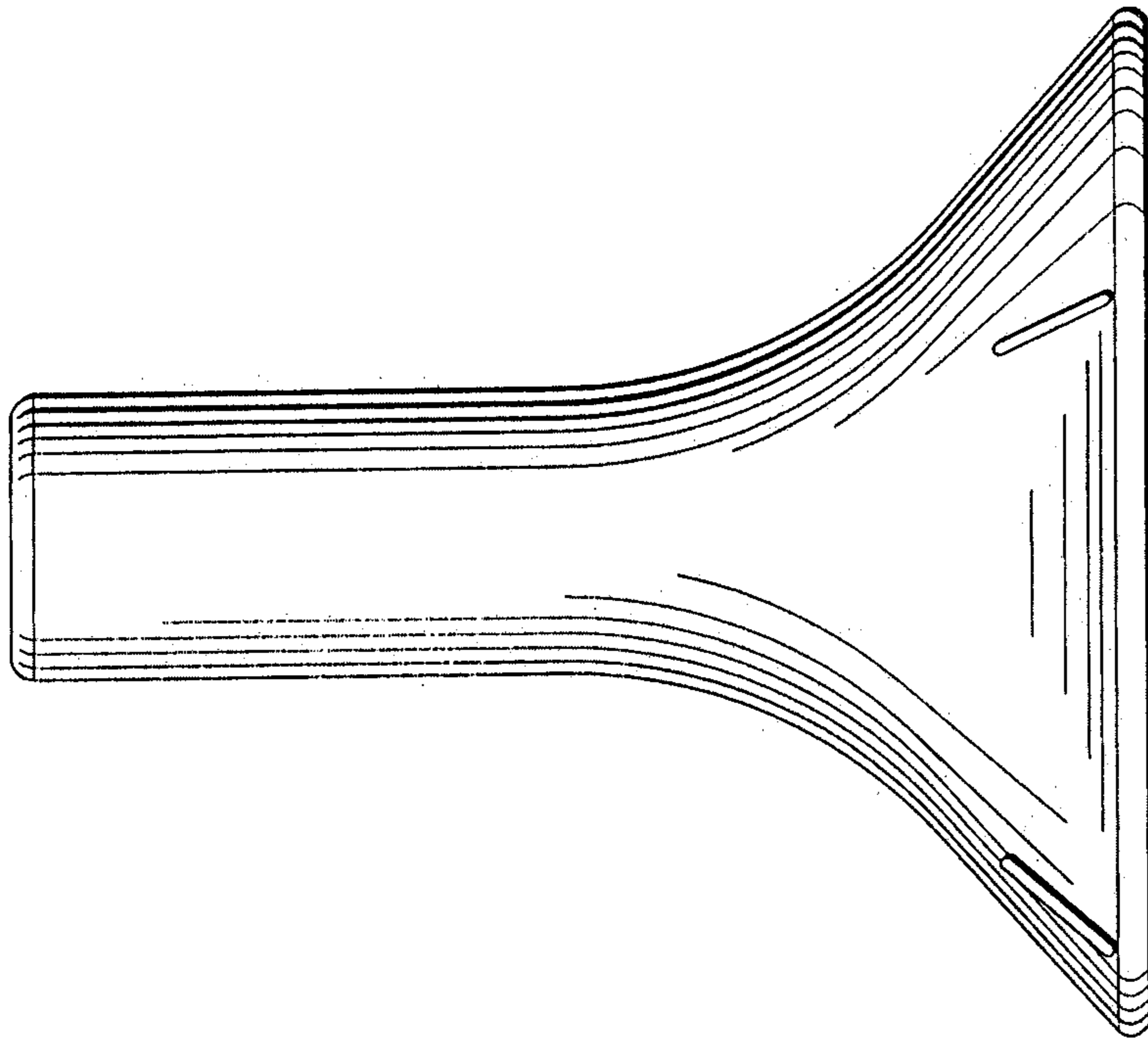


Fig. 3

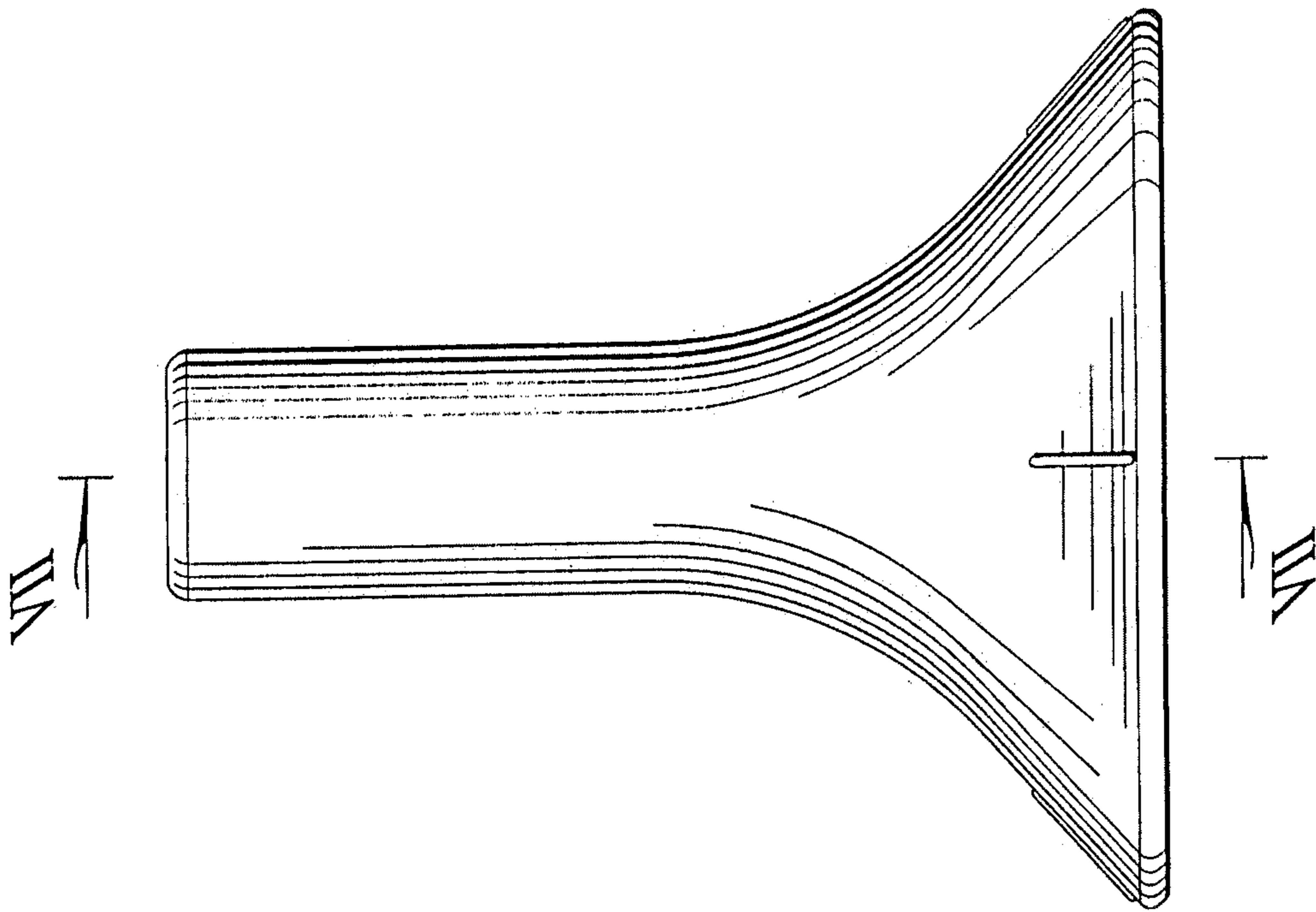


Fig. A

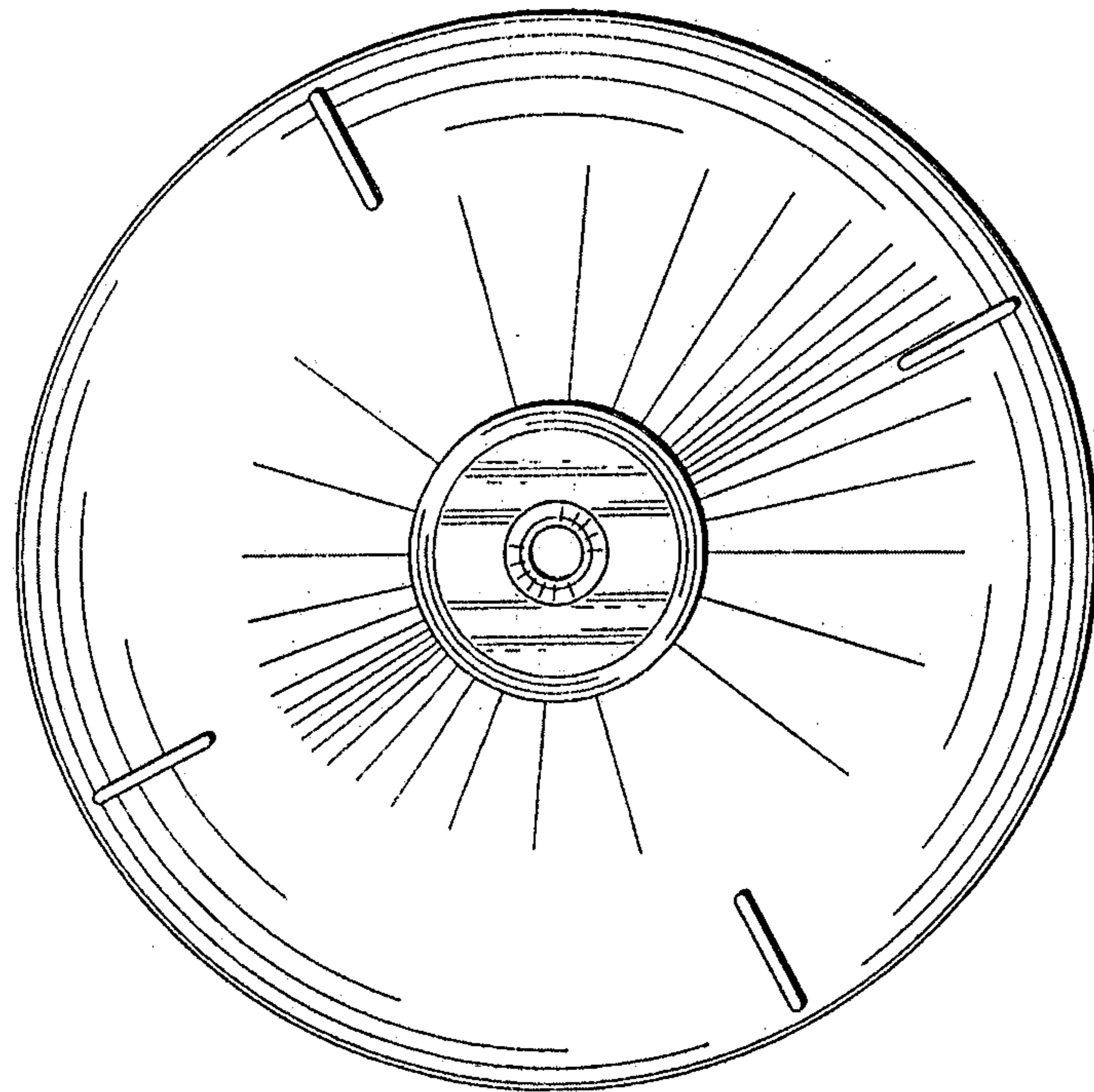


Fig. 5



Fig. 6

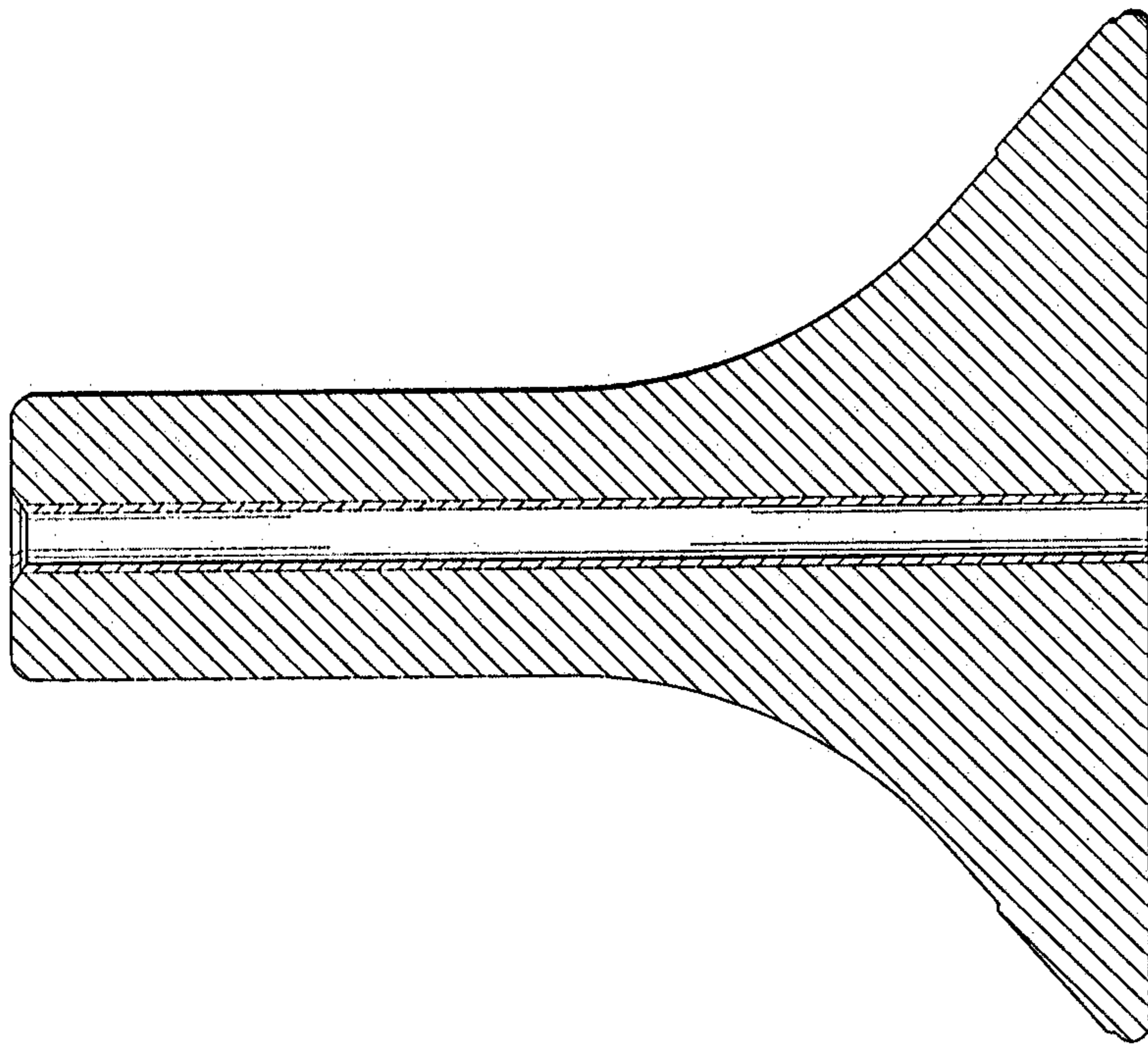


Fig. 7