



US00D986701S

(12) **United States Design Patent** (10) **Patent No.:** **US D986,701 S**  
**Fu** (45) **Date of Patent:** **\*\* May 23, 2023**

(54) **MULTI-FUNCTIONAL SCISSOR**  
(71) Applicant: **Yingxiang Fu**, Yangjiang (CN)  
(72) Inventor: **Yingxiang Fu**, Yangjiang (CN)  
(\*\*) Term: **15 Years**  
(21) Appl. No.: **29/776,101**  
(22) Filed: **Mar. 28, 2021**  
(51) **LOC (14) Cl.** ..... **08-03**  
(52) **U.S. Cl.**  
USPC ..... **D8/57**  
(58) **Field of Classification Search**  
USPC ..... D8/4, 5, 21, 26, 51-58, 92, 93, 105;  
D22/149, 150; D24/146, 148, 149  
CPC ..... H02G 1/1209; B25B 7/02; B25B 7/14;  
B25B 7/22; B25C 11/02; B25C 11/00;  
A61B 17/076; A61B 17/03  
See application file for complete search history.

(56) **References Cited**  
U.S. PATENT DOCUMENTS  
D331,355 S \* 12/1992 Viemeister ..... D8/57  
5,377,412 A \* 1/1995 Schofield ..... B26B 13/28  
30/262  
D537,311 S \* 2/2007 Peterson ..... D8/57  
D565,373 S \* 4/2008 Fazzi ..... D8/57  
D584,122 S \* 1/2009 Caroca ..... D8/57  
D594,723 S \* 6/2009 Kim ..... D8/57  
D640,106 S \* 6/2011 Molina ..... D8/57  
D642,035 S \* 7/2011 Molina ..... D8/57

D646,944 S \* 10/2011 Bhasin ..... D8/57  
D646,945 S \* 10/2011 Bhasin ..... D8/57  
D651,493 S \* 1/2012 Bhasin ..... D8/57  
D680,835 S \* 4/2013 Bhasin ..... D8/57  
D723,161 S \* 2/2015 Goldstein ..... D24/148  
D786,039 S \* 5/2017 Roberts ..... D8/57  
D788,557 S \* 6/2017 Huang ..... D8/57  
D802,385 S \* 11/2017 Sokka ..... D8/57  
D962,737 S \* 9/2022 He ..... D8/57  
D972,387 S \* 12/2022 He ..... D8/57

\* cited by examiner

*Primary Examiner* — David G Muller  
*Assistant Examiner* — Christina Gabrielle Cosden

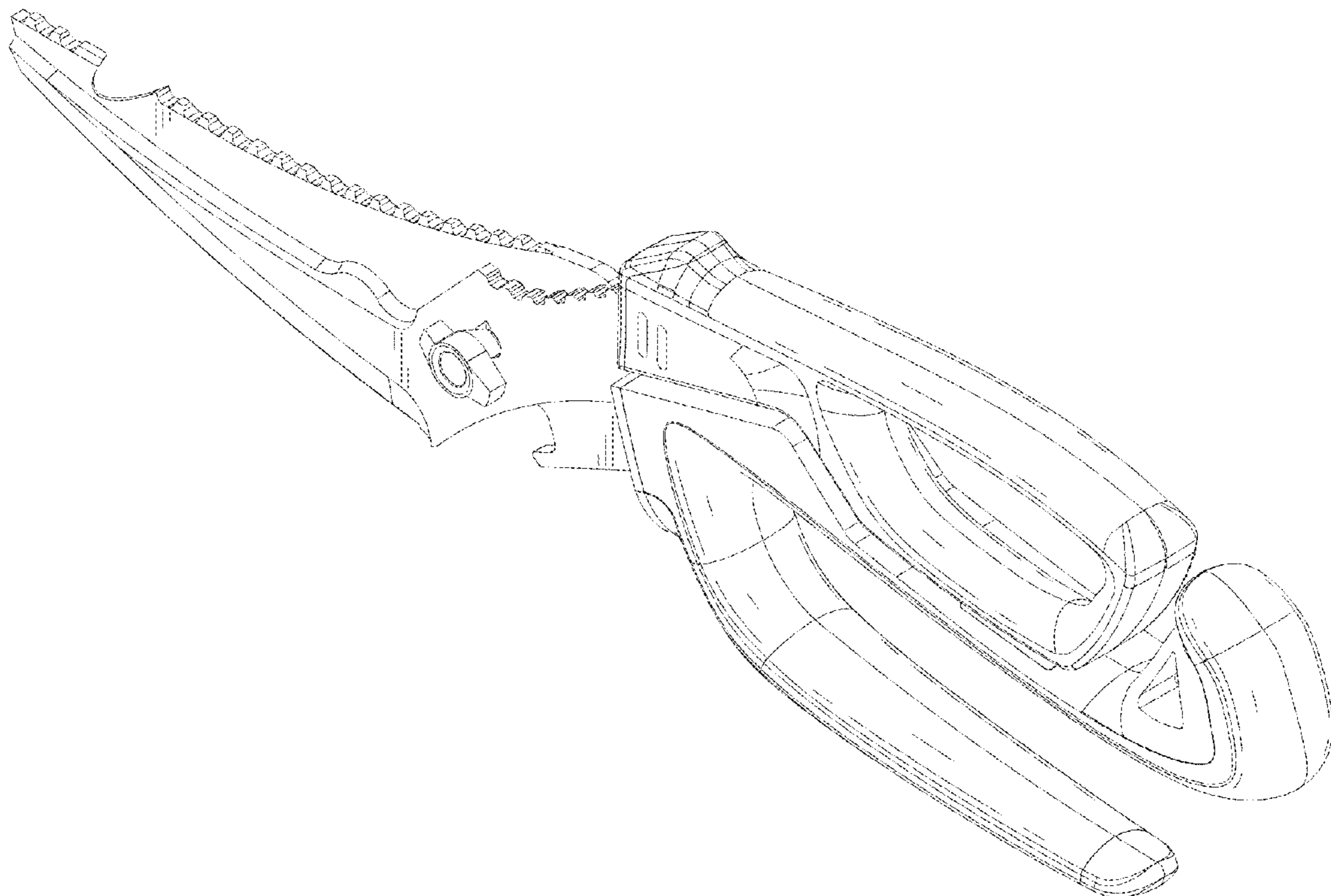
(57) **CLAIM**

The ornamental design for a multi-functional scissor, as shown and described.

**DESCRIPTION**

FIG. 1 is a front, right side, top perspective view of a multi-functional scissor showing my new design;  
FIG. 2 is a front elevational view thereof;  
FIG. 3 is a rear elevational view thereof;  
FIG. 4 is a left side elevational view thereof;  
FIG. 5 is a right side elevational view thereof;  
FIG. 6 is a top plan view thereof;  
FIG. 7 is a bottom plan view thereof; and,  
FIG. 8 is a front, right side, top perspective view of a multi-functional scissor wherein the blades of the multi-functional scissor are covered by a case.  
The broken lines depict portions of the multi-functional scissor that form no part of the claimed design.

**1 Claim, 8 Drawing Sheets**



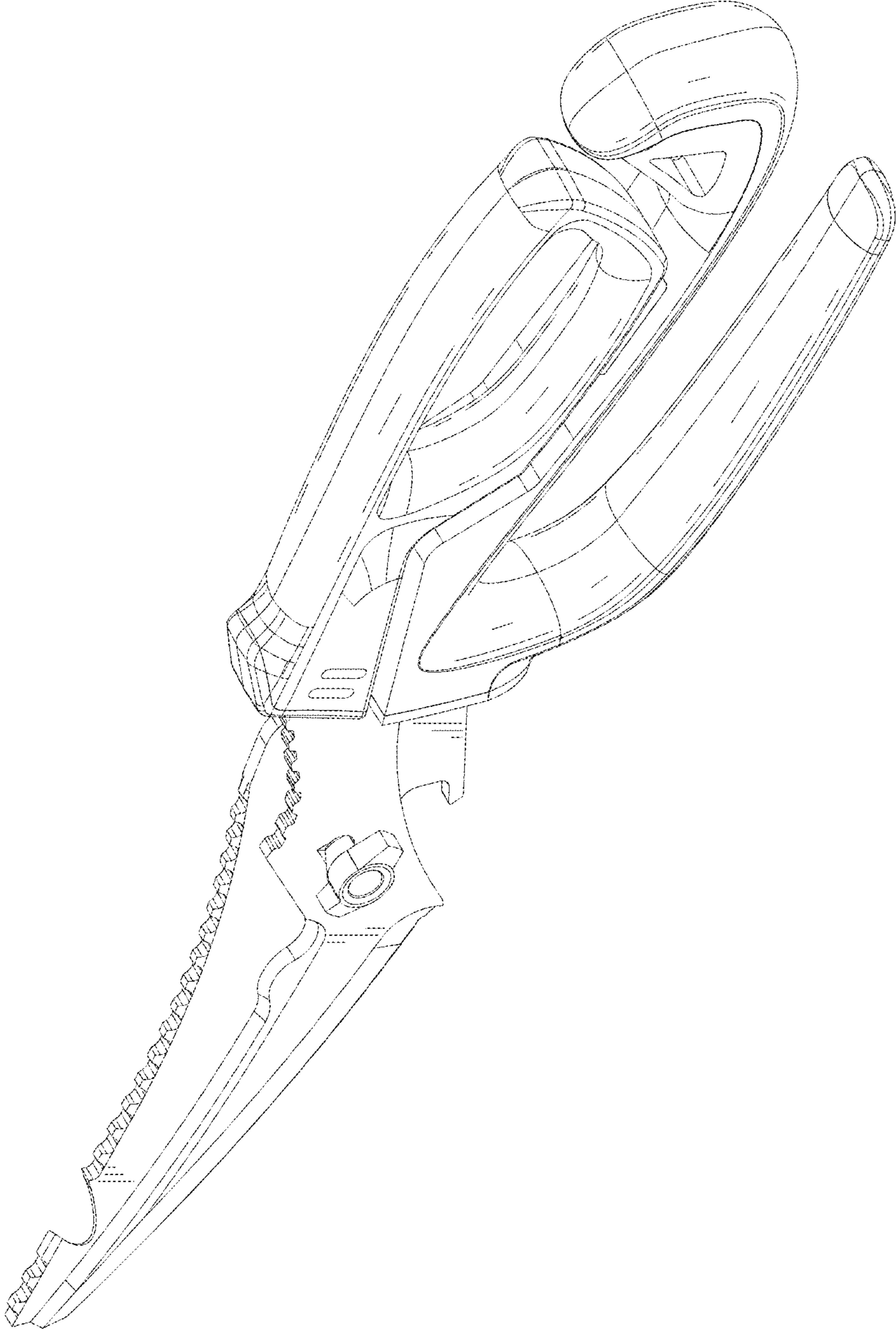


FIG.1

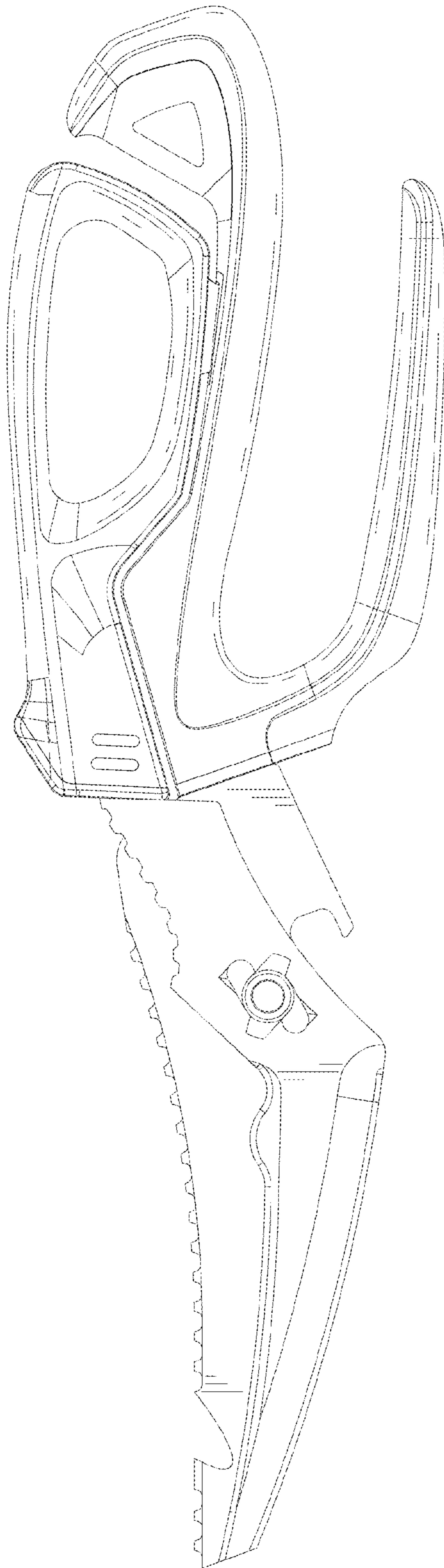


FIG.2

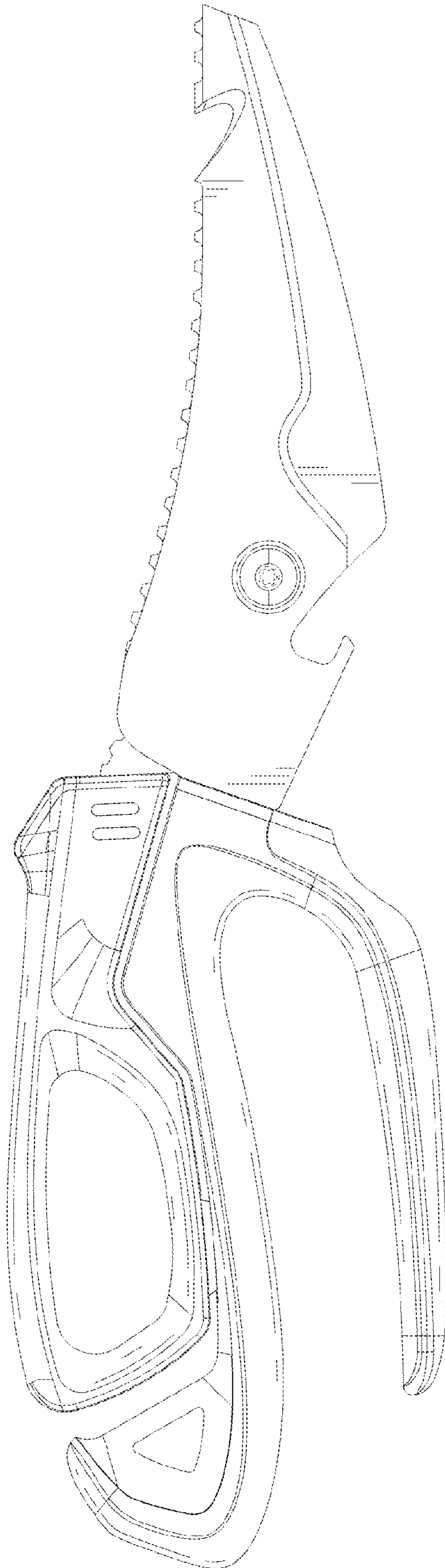


FIG.3



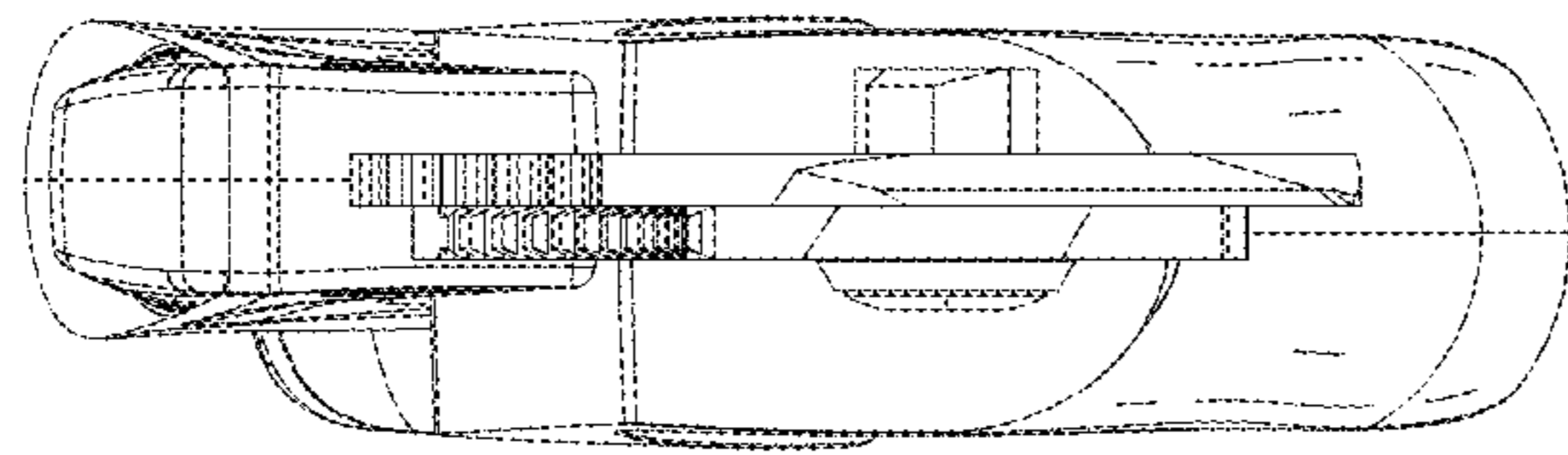


FIG.4

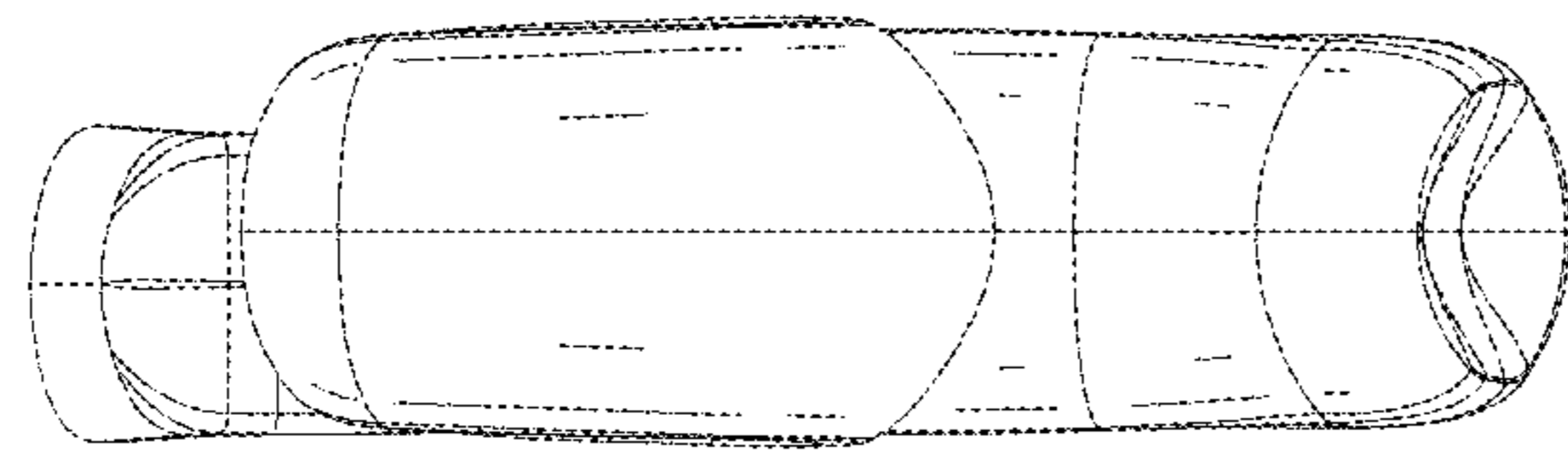


FIG. 5

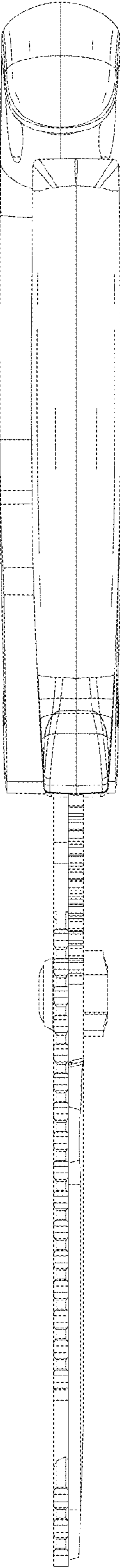


FIG.6

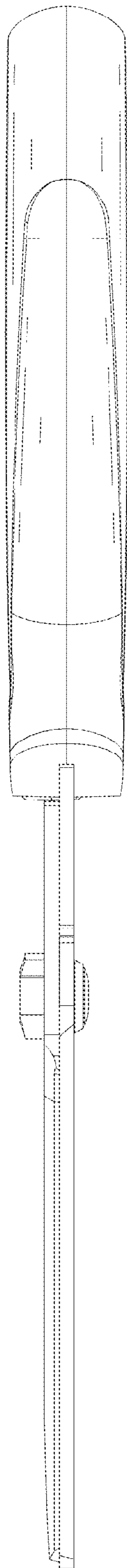


FIG. 7



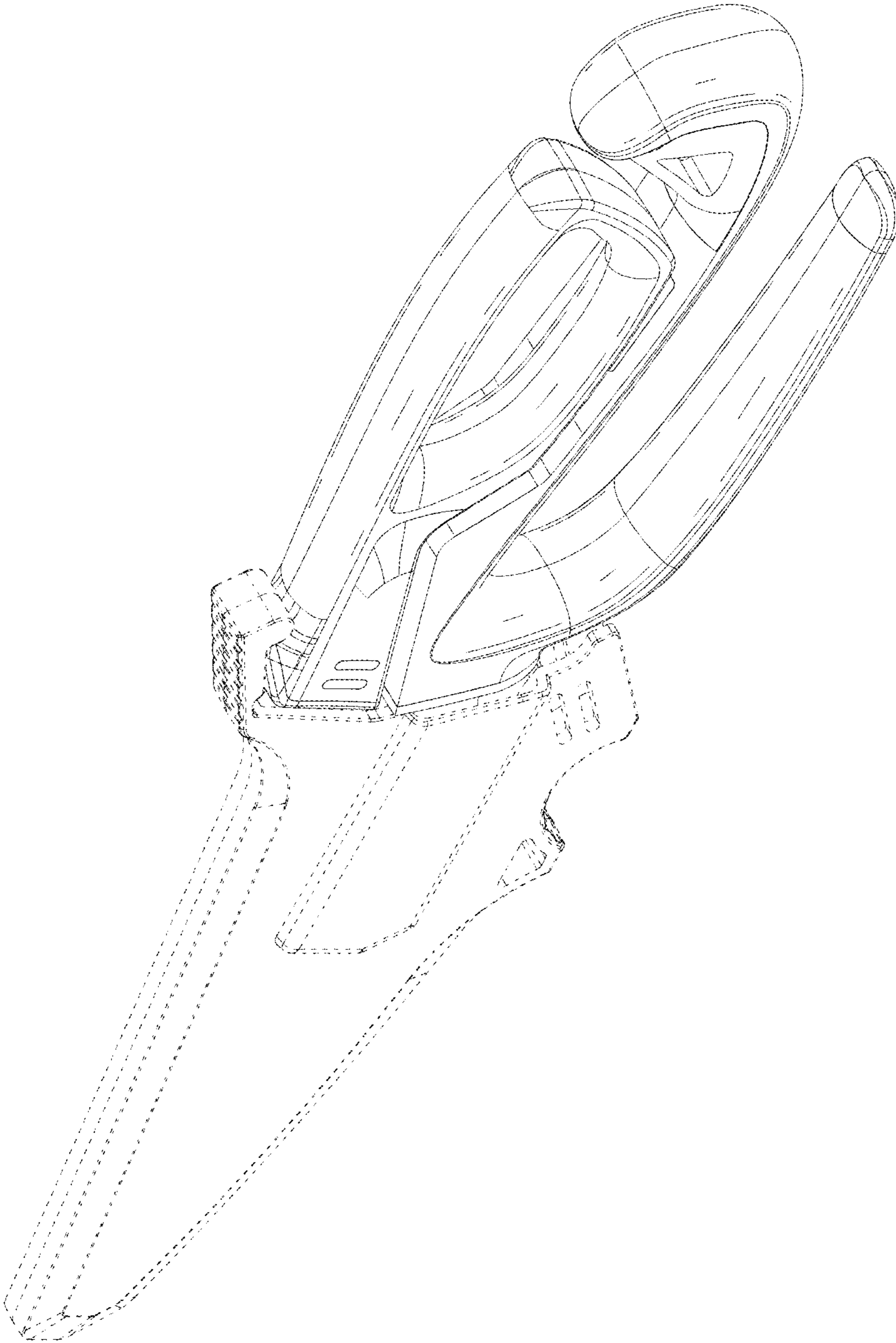


FIG. 8