



US00D986700S

(12) **United States Design Patent** (10) **Patent No.:** **US D986,700 S**
Hawkins et al. (45) **Date of Patent:** **** May 23, 2023**

(54) **BICYCLE BRAKE PAD SPREADER TOOL**

(71) Applicant: **Bicycle Tools Incorporated**, Saint Paul, MN (US)

(72) Inventors: **Eric Hawkins**, Stillwater, MN (US);
John Krawczyk, Saint Paul, MN (US);
Jeffrey Swanson, Saint Paul, MN (US);
Craig Calvin Jones, Stillwater, MN (US);
Truman Purdy, River Falls, WI (US);
Jacob Jackson, Somerset, WI (US);
Riley Thiesfeld, Chaska, MN (US)

(73) Assignee: **Bicycle Tools Incorporated**, Saint Paul, MN (US)

(**) Term: **15 Years**

(21) Appl. No.: **29/788,925**

(22) Filed: **Aug. 13, 2021**

(51) **LOC (14) Cl.** **08-05**

(52) **U.S. Cl.**
USPC **D8/14**

(58) **Field of Classification Search**
USPC D8/14, 16, 17, 18, 19, 21, 88, 89, 349, D8/354
CPC .. B25G 1/105; B25G 1/00; B25G 1/10; Y10T 16/476; B25B 33/00; B25C 11/00
See application file for complete search history.

(56) **References Cited**

U.S. PATENT DOCUMENTS

- 3,874,256 A * 4/1975 Korb, Jr. B62L 3/00 81/484
D281,140 S * 10/1985 Scura D8/71
5,074,175 A * 12/1991 Earle B62L 1/12 81/484
D330,504 S * 10/1992 Collins D8/354
5,499,698 A * 3/1996 Irvine B60T 17/221 188/24.19

- D437,753 S * 2/2001 Hastings D8/18
D516,394 S * 3/2006 Chen D8/19
D538,630 S * 3/2007 Sergi D8/354
D578,521 S * 10/2008 Sergi D8/354
D657,231 S * 4/2012 Springer D14/239
D661,559 S * 6/2012 O'Connell D8/18
D670,996 S * 11/2012 Rogers D8/349
D700,816 S * 3/2014 Oachs D8/19
D705,621 S * 5/2014 Tygh D8/19
D708,028 S * 7/2014 Warren D8/18
D789,247 S * 6/2017 Burton D11/221
D836,511 S * 12/2018 Maeda D12/193

(Continued)

Primary Examiner — Philip S Hyder

(74) *Attorney, Agent, or Firm* — Thomas J. Oppold; Larkin Hoffman Daly & Lindgren, Ltd.

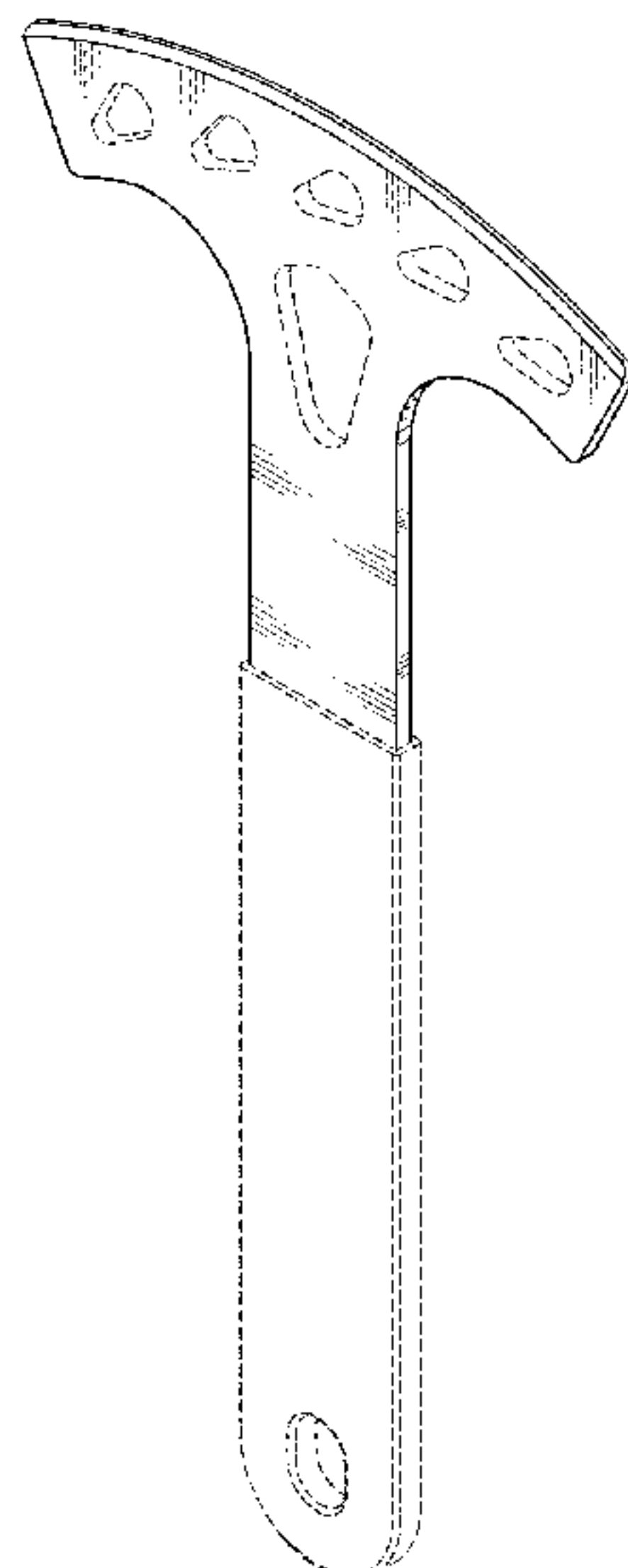
(57) **CLAIM**

The ornamental design of the bicycle brake pad spreader tool, as shown and described.

DESCRIPTION

FIG. 1 is a front perspective view of a bicycle brake pad spreader tool.
FIG. 2 is a front elevation view of the bicycle brake pad spreader tool
FIG. 3 is a rear elevation view of the bicycle brake pad spreader tool.
FIG. 4 is a right side elevation view of the bicycle brake pad spreader tool.
FIG. 5 is a left side elevation view of the bicycle brake pad spreader tool.
FIG. 6 is a top view of the bicycle brake pad spreader tool; and,
FIG. 7 is a bottom view of the bicycle brake pad spreader tool.
The broken lines depict portions of the bicycle brake pad spreader tool in which the design is embodied that are not considered part of the claimed design.

1 Claim, 5 Drawing Sheets



(56)

References Cited

U.S. PATENT DOCUMENTS

2011/0106081 A1* 5/2011 Graham A61B 17/8023
606/280
2021/0179228 A1* 6/2021 Arbesman F16D 69/0408

* cited by examiner

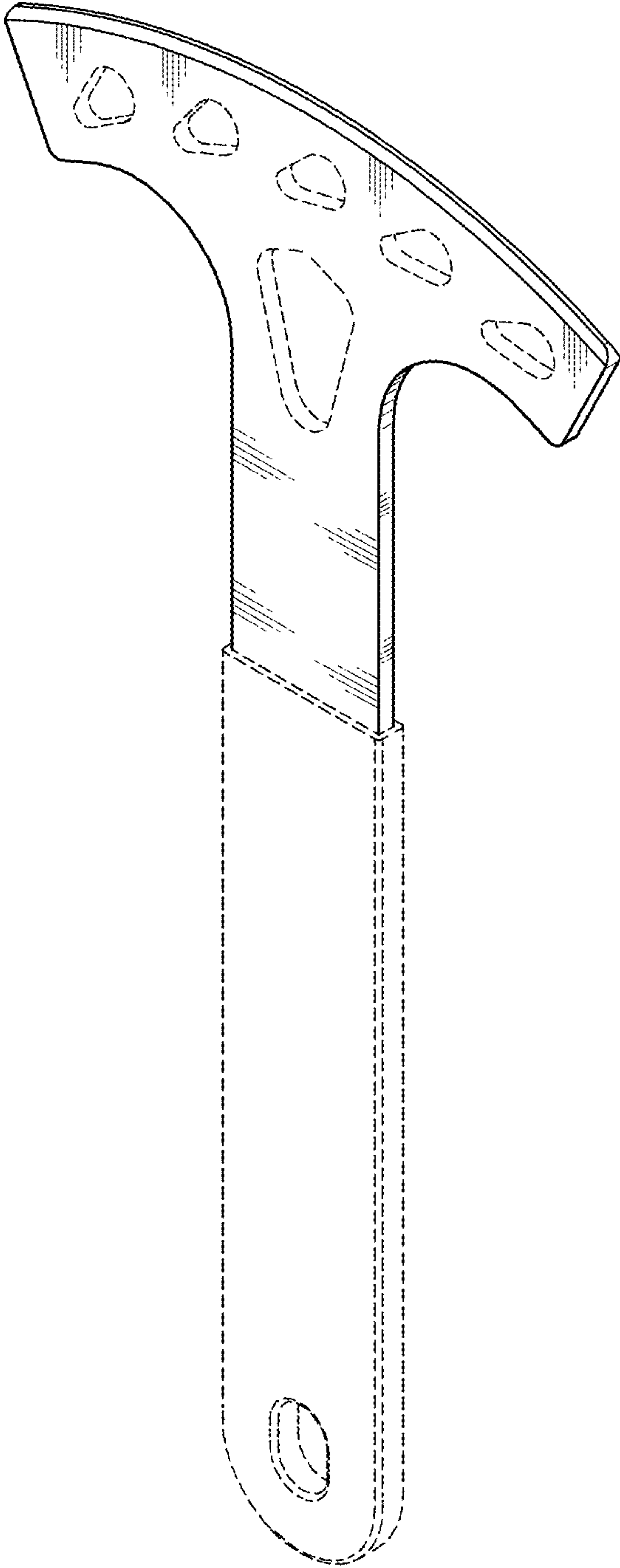


FIG. 1

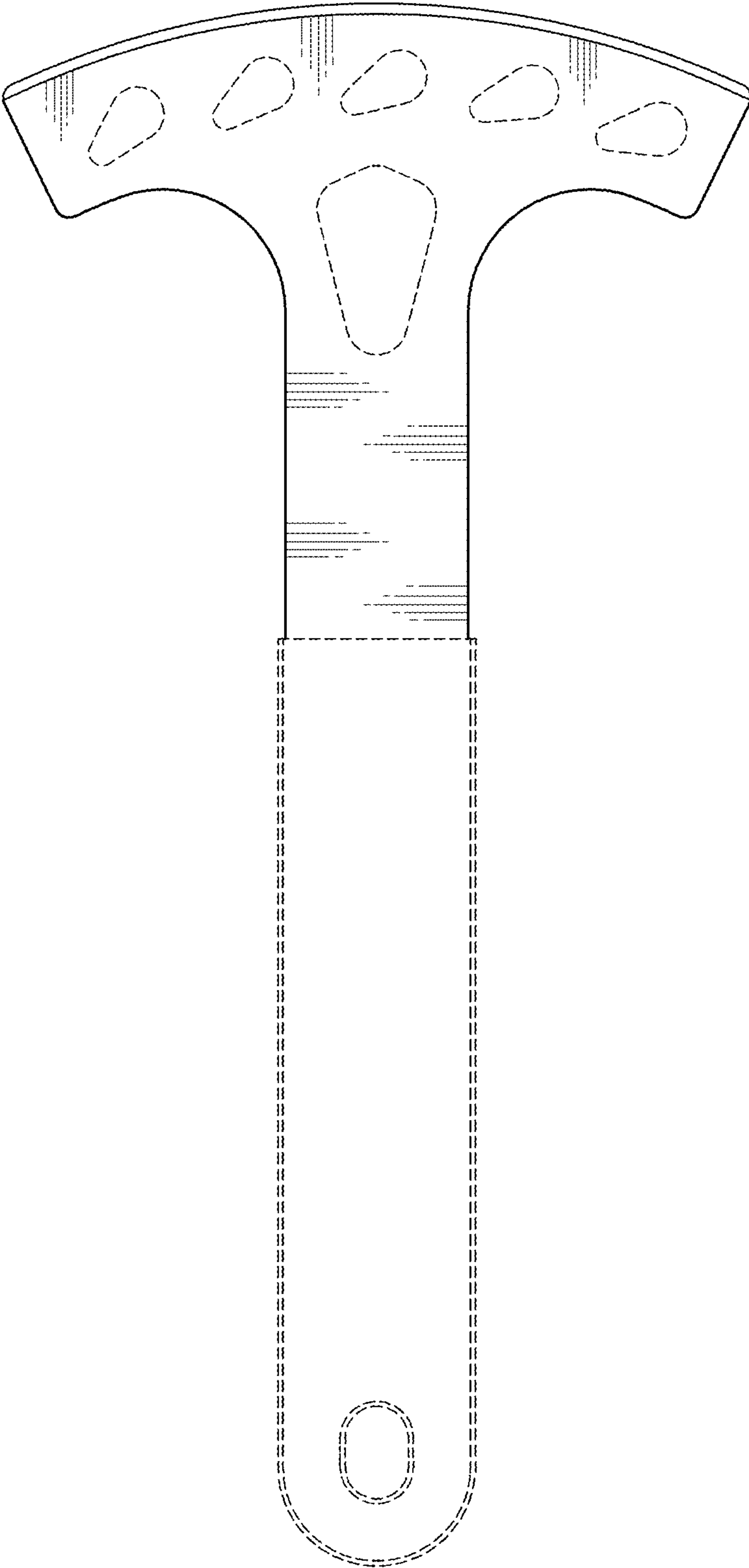


FIG. 2

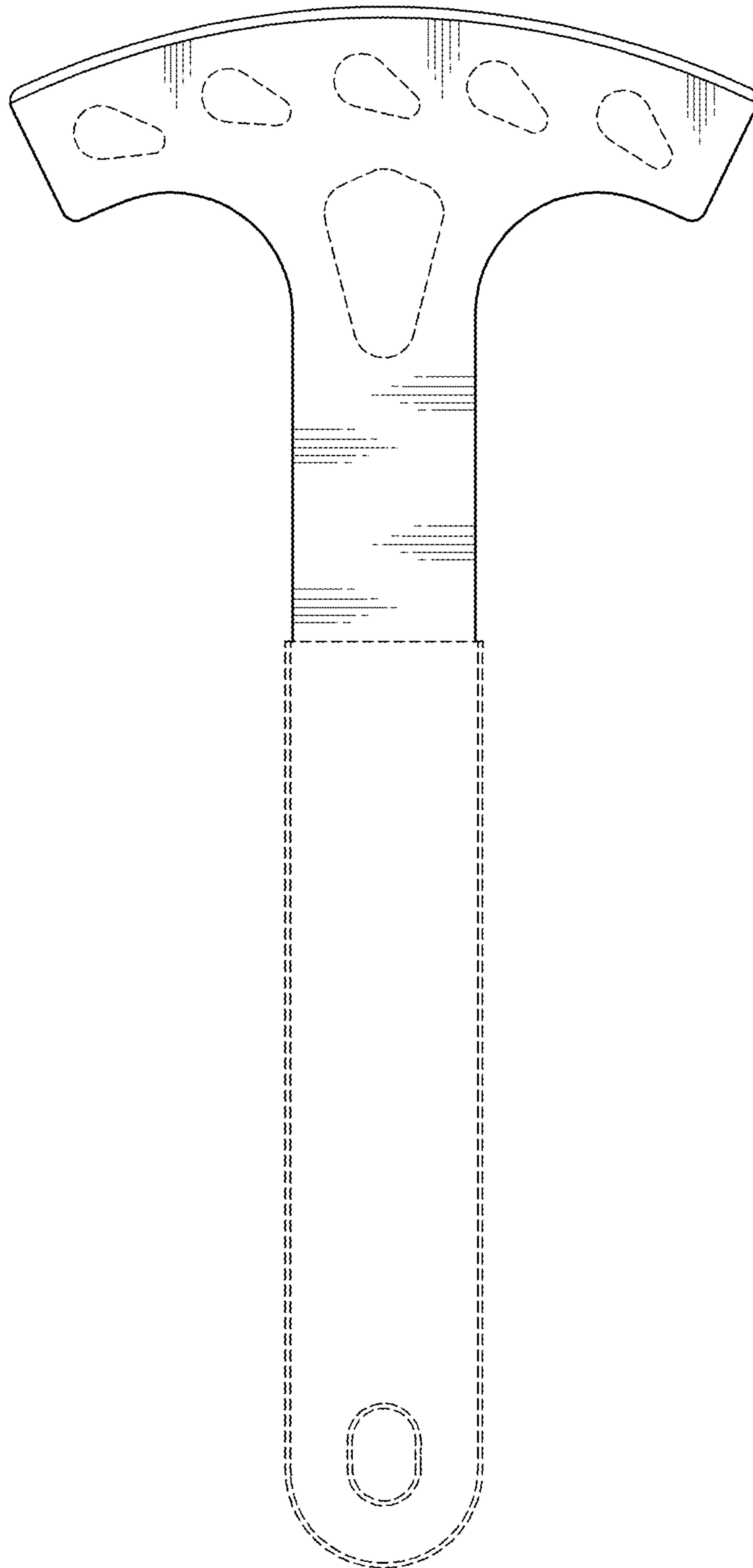


FIG. 3

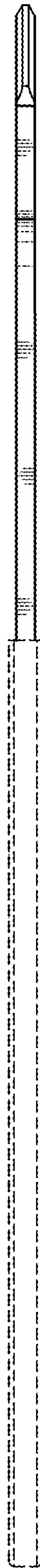


FIG. 4

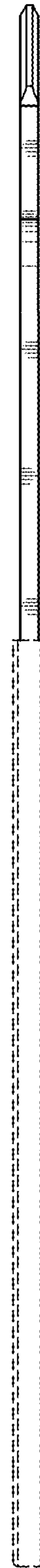


FIG. 5

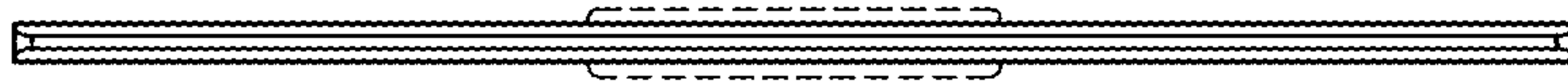


FIG. 6

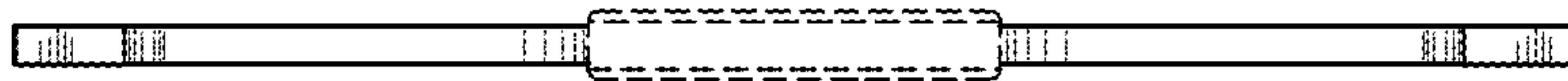


FIG. 7