



US00D986699S

(12) **United States Design Patent**  
**Gou**

(10) **Patent No.:** **US D986,699 S**

(45) **Date of Patent:** **\*\* May 23, 2023**

- (54) **SOLDERING IRON**
- (71) Applicant: **Guangzhou Yihua Electronic Equipment Co., Ltd., Guangdong (CN)**
- (72) Inventor: **Mingkang Gou, Guangdong (CN)**
- (73) Assignee: **Guangzhou Yihua Electronic Equipment Co., Ltd., Guangdong (CN)**
- (\*\*) Term: **15 Years**
- (21) Appl. No.: **29/804,766**
- (22) Filed: **Aug. 23, 2021**
- (51) **LOC (14) Cl.** ..... **08-05**
- (52) **U.S. Cl.**  
USPC ..... **D8/30**
- (58) **Field of Classification Search**  
USPC ..... D8/14, 29.1, 29.2, 30, 51; D15/144  
CPC ..... B23K 3/0615; B23K 3/063; B23K 3/06;  
B23K 3/046; B23K 3/021; B23K 3/022;  
B23K 3/023; B23K 3/033  
See application file for complete search history.

(56) **References Cited**

**U.S. PATENT DOCUMENTS**

- D300,297 S \* 3/1989 Arehart ..... D8/30
- 5,928,536 A \* 7/1999 Lee ..... B23K 3/033  
219/229
- 6,989,511 B1 \* 1/2006 Tsai ..... H01R 13/5833  
219/229
- D847,233 S \* 4/2019 Gou ..... D15/144
- D847,234 S \* 4/2019 Gou ..... D15/144
- D847,235 S \* 4/2019 Gou ..... D15/144
- D862,547 S \* 10/2019 Xie ..... D8/30
- D865,014 S \* 10/2019 Xu ..... D8/30
- D879,169 S \* 3/2020 Xu ..... D8/30
- D887,801 S \* 6/2020 Li ..... B23K 3/026  
D8/30
- D891,209 S \* 7/2020 Gou ..... D8/30

- D892,579 S \* 8/2020 Cheng ..... D8/30
- D897,173 S \* 9/2020 Ding ..... D8/30
- D905,521 S \* 12/2020 Ding ..... B23K 3/033  
D8/30
- D918,974 S \* 5/2021 Bublitz ..... B23K 3/0369  
D8/30
- D935,500 S \* 11/2021 Li ..... H01R 13/5833  
D8/30
- D937,645 S \* 12/2021 Gou ..... B23K 3/033  
D8/30
- D951,049 S \* 5/2022 Li ..... D8/30
- D951,316 S \* 5/2022 Gou ..... D15/144.2
- D955,193 S \* 6/2022 Xu ..... D8/30
- D960,674 S \* 8/2022 Xu ..... D8/30
- D965,401 S \* 10/2022 Yang ..... D8/30
- D967,683 S \* 10/2022 Yang ..... D8/30
- D968,919 S \* 11/2022 Xu ..... D8/30
- 2006/0108345 A1 \* 5/2006 Shigekawa ..... B23K 3/0369  
219/229

(Continued)

*Primary Examiner* — Philip S Hyder

(74) *Attorney, Agent, or Firm* — Lucas & Mercanti, LLP

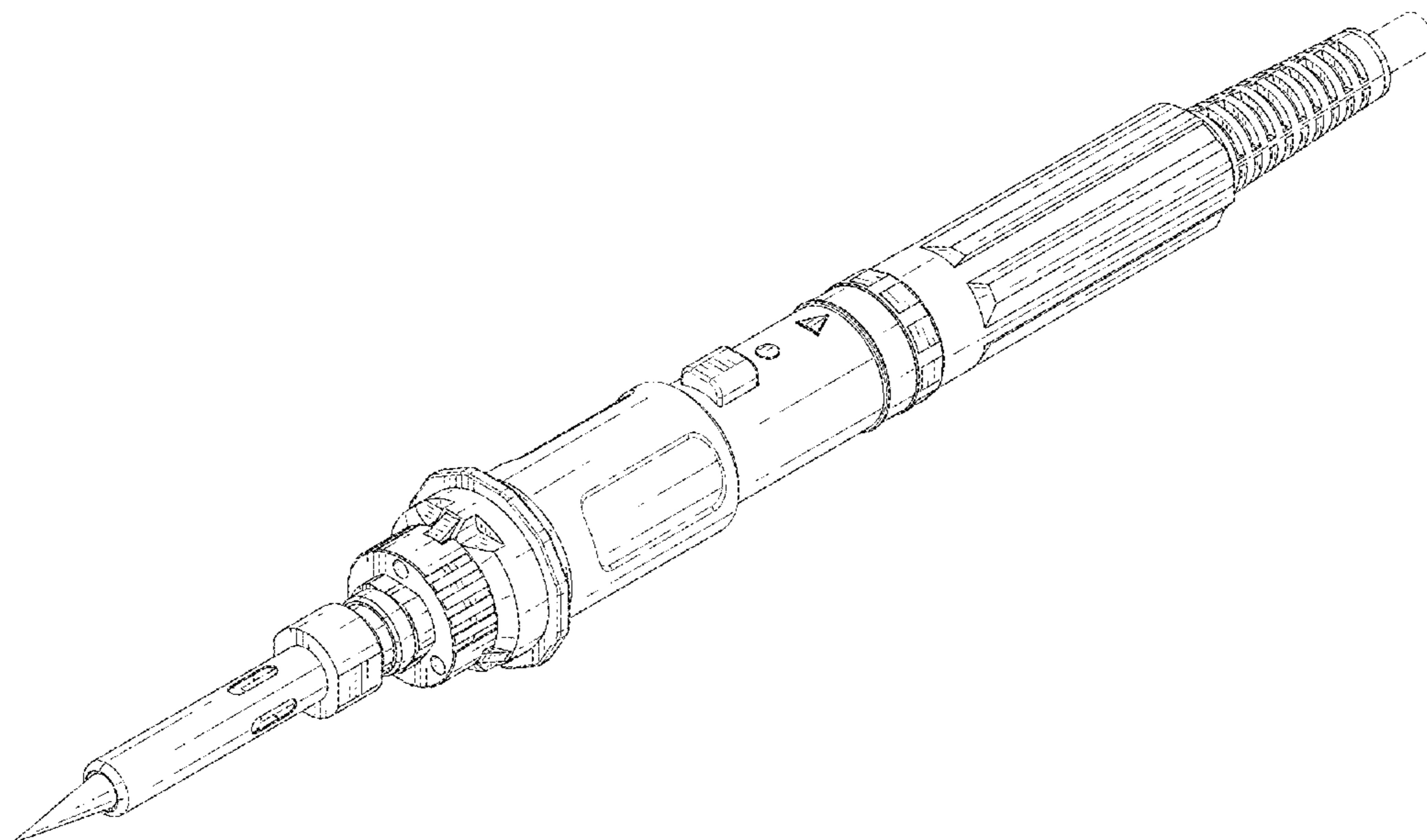
(57) **CLAIM**

The ornamental design for a soldering iron, as shown and described.

**DESCRIPTION**

FIG. 1 is a top, front, left side perspective view of the soldering iron;  
 FIG. 2 is a top, rear, left side perspective view thereof;  
 FIG. 3 a top view thereof;  
 FIG. 4 is a bottom view thereof;  
 FIG. 5 is a left side view thereof;  
 FIG. 6 is a right side view thereof;  
 FIG. 7 is an enlarged front view thereof; and,  
 FIG. 8 is an enlarged rear elevation view thereof.  
 The broken lines show portions of the soldering iron which form no part of the claimed design.

**1 Claim, 6 Drawing Sheets**



(56)

**References Cited**

U.S. PATENT DOCUMENTS

2013/0105466 A1\* 5/2013 Teraoka ..... B23K 3/033  
219/538  
2019/0240756 A1\* 8/2019 Weissenberger ..... B23K 3/026

\* cited by examiner

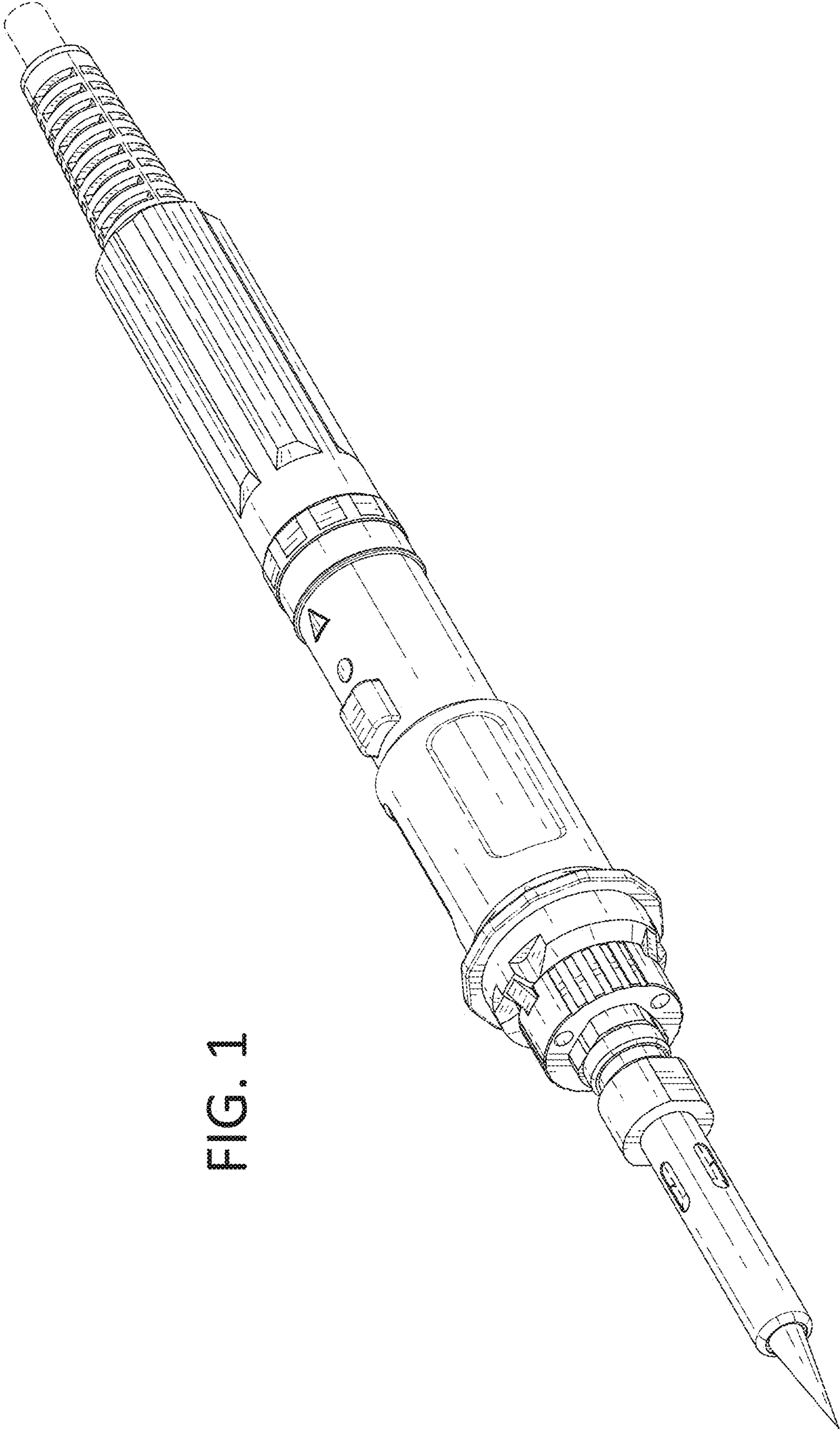


FIG. 1

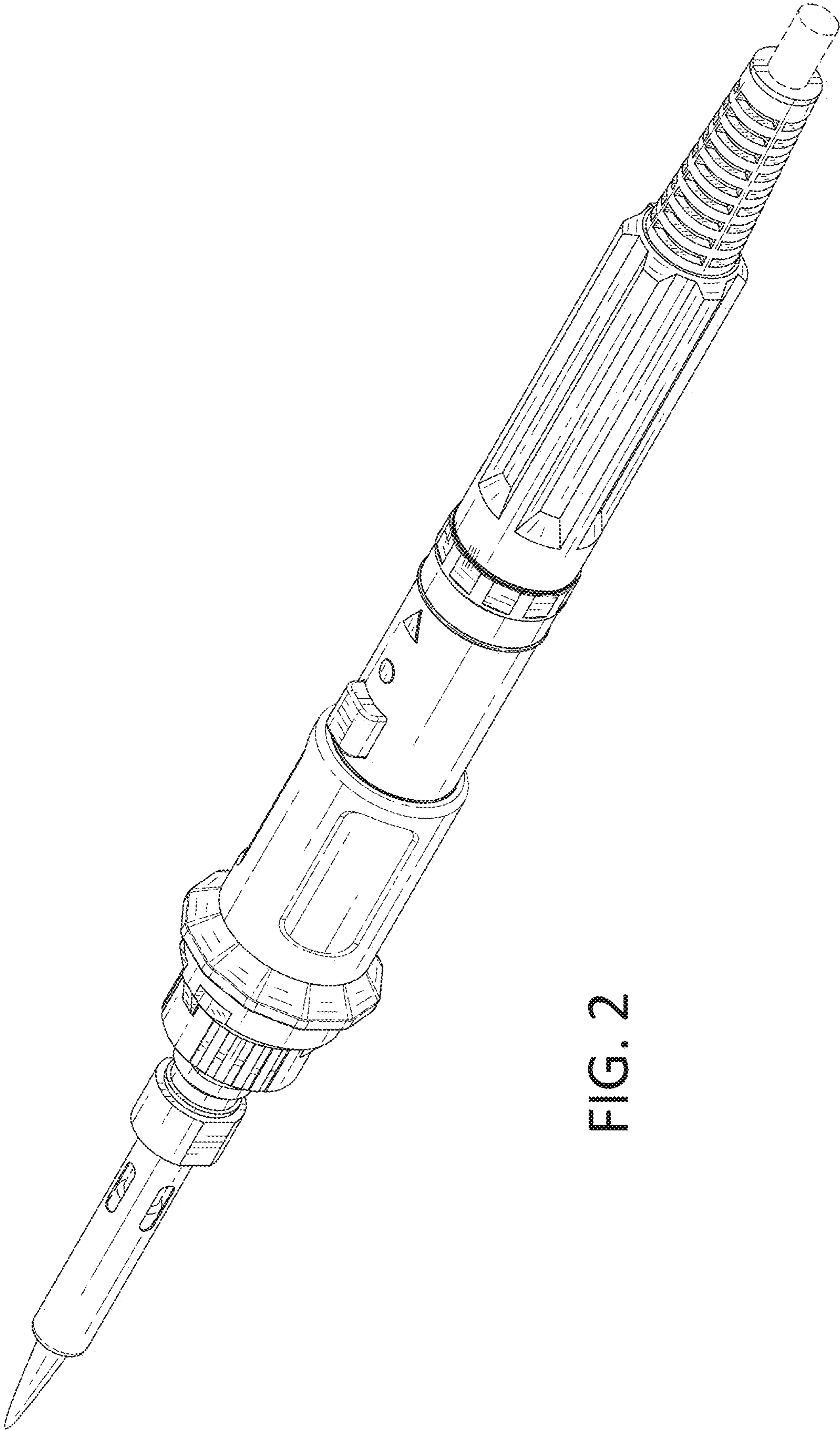


FIG. 2



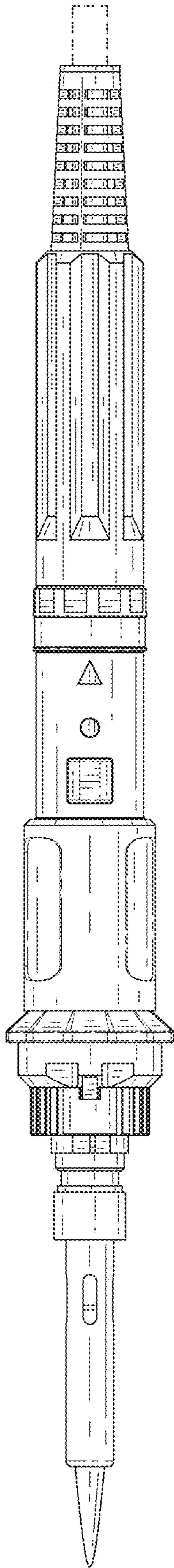


FIG. 3

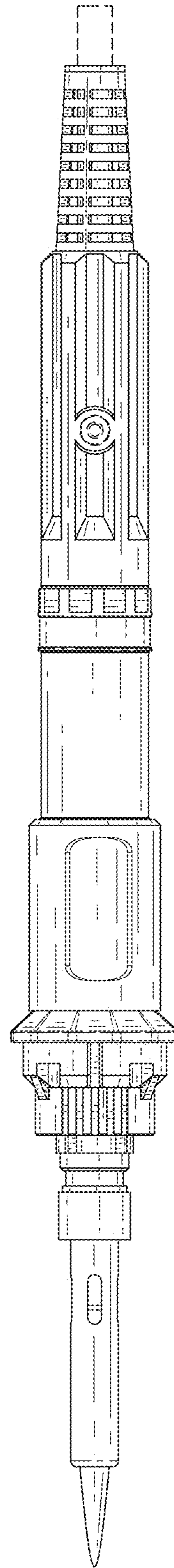


FIG. 4

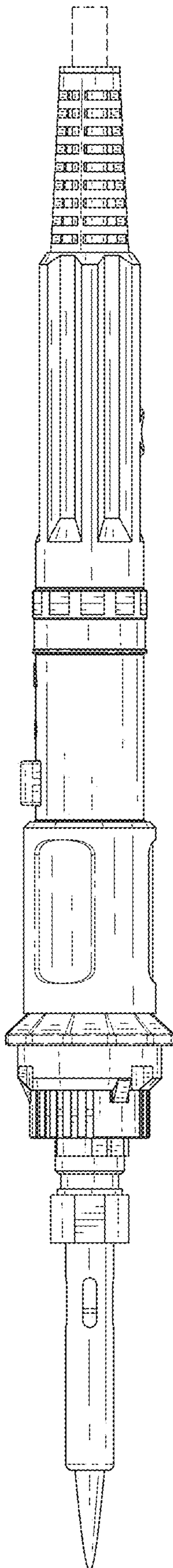


FIG. 5

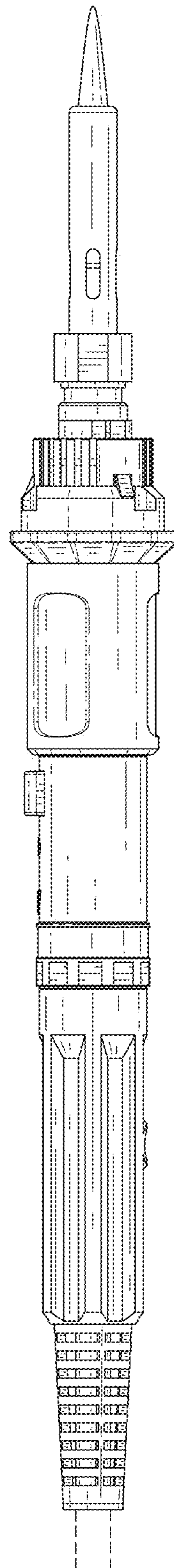


FIG. 6

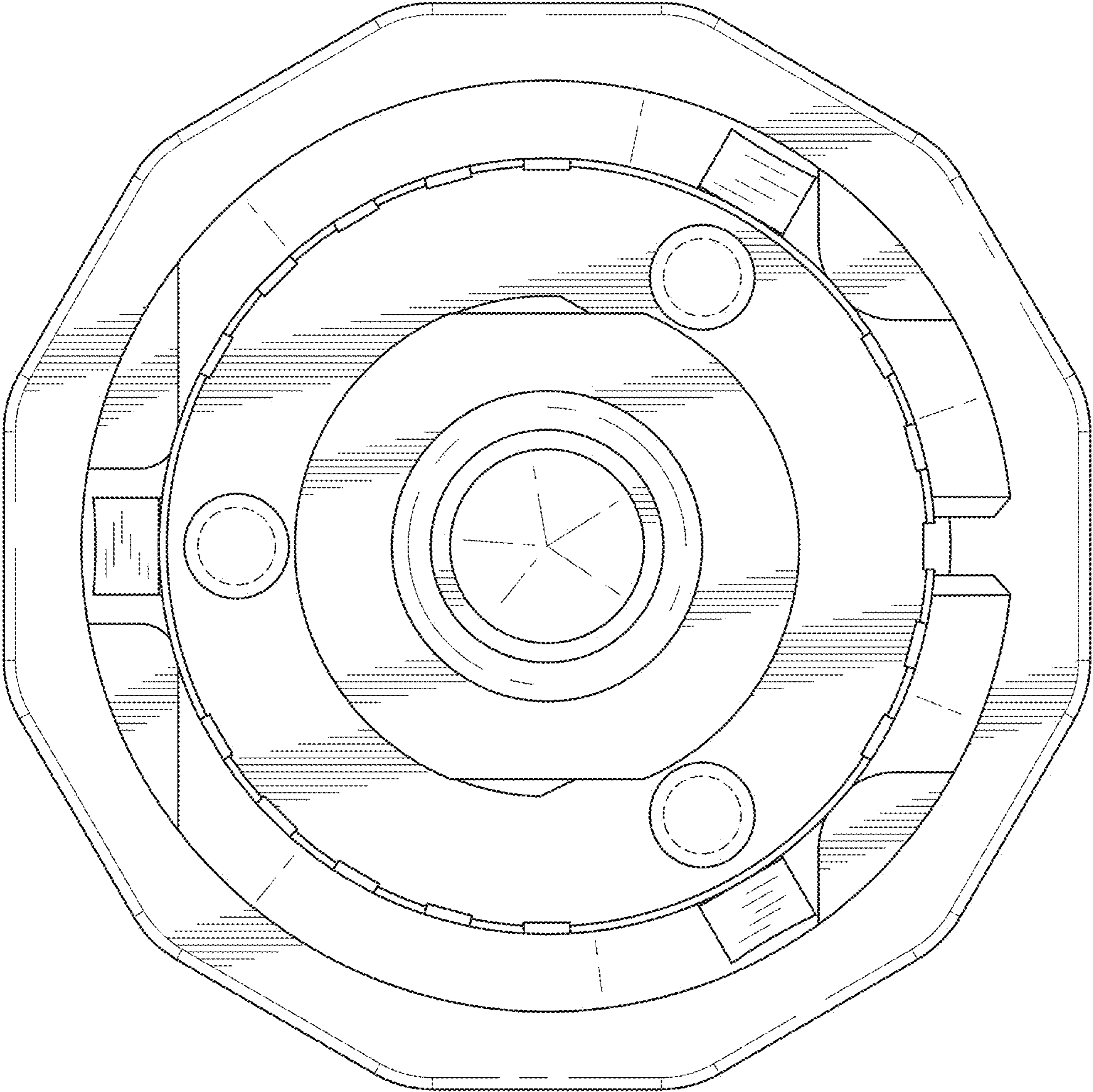


FIG. 7



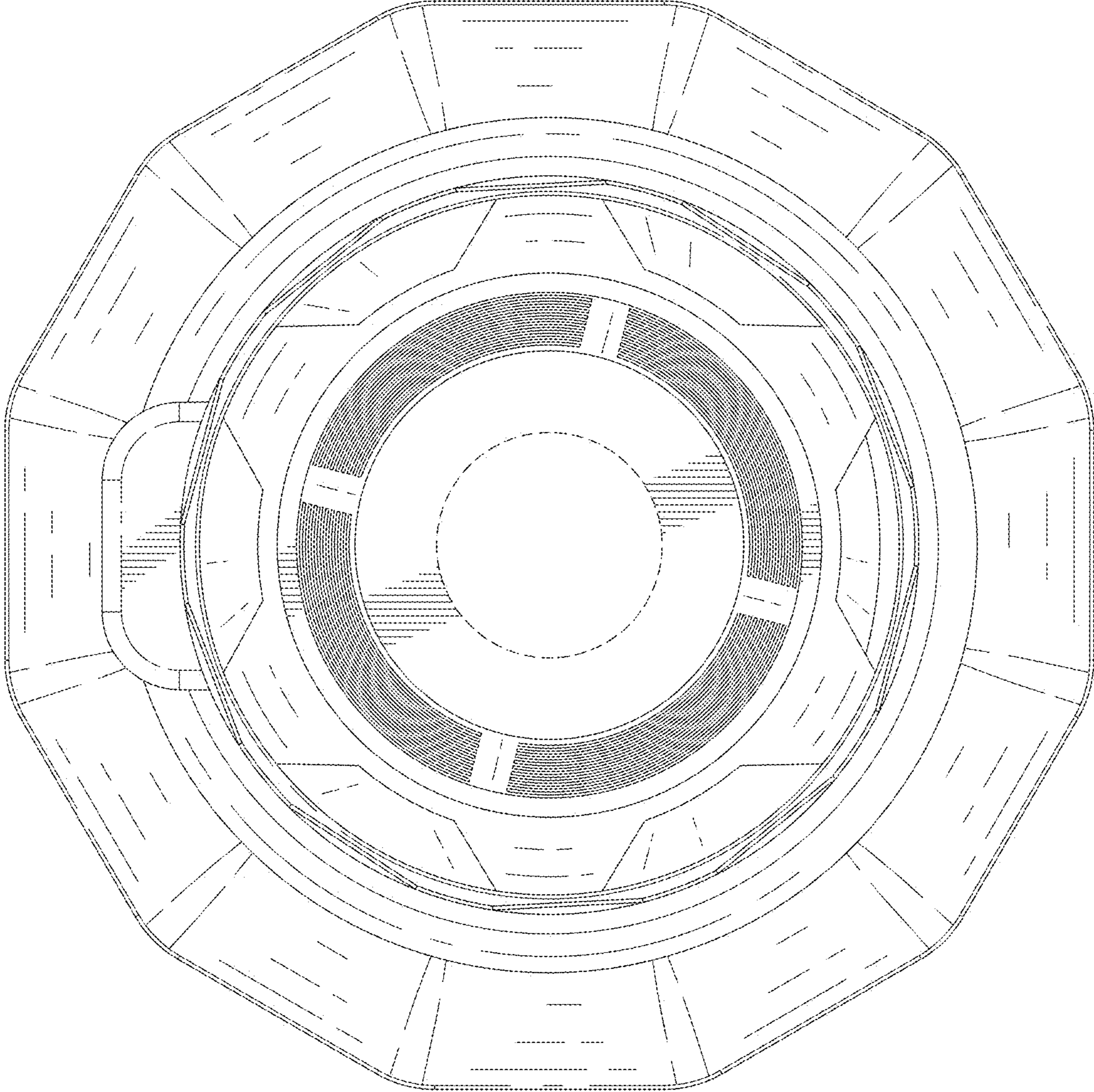


FIG. 8