



US00D986698S

(12) **United States Design Patent**
Gou

(10) **Patent No.:** **US D986,698 S**

(45) **Date of Patent:** **** May 23, 2023**

- (54) **SOLDERING IRON**
- (71) Applicant: **Guangzhou Yihua Electronic Equipment Co., Ltd., Guangdong (CN)**
- (72) Inventor: **Mingkang Gou, Guangdong (CN)**
- (73) Assignee: **Guangzhou Yihua Electronic Equipment Co., Ltd., Guangdong (CN)**
- (**) Term: **15 Years**
- (21) Appl. No.: **29/804,758**
- (22) Filed: **Aug. 23, 2021**
- (51) **LOC (14) Cl.** **08-05**
- (52) **U.S. Cl.**
USPC **D8/30**
- (58) **Field of Classification Search**
USPC D8/14, 29.1, 29.2, 30, 51; D15/144
CPC B23K 3/0615; B23K 3/063; B23K 3/06;
B23K 3/046; B23K 3/021; B23K 3/022;
B23K 3/023; B23K 3/033
See application file for complete search history.

D935,500 S *	11/2021	Li	D8/30
D951,049 S *	5/2022	Li	D8/30
D951,317 S *	5/2022	Li	B23K 3/033
				D8/30
D955,193 S *	6/2022	Xu	B23K 3/0369
				D8/30
D960,674 S *	8/2022	Xu	B23K 3/033
				D8/30
D965,400 S *	10/2022	Yang	D8/30
D967,683 S *	10/2022	Yang	D8/30
D968,919 S *	11/2022	Xu	D8/30
2006/0108345 A1 *	5/2006	Shigekawa	B23K 3/0369
				219/229
2013/0105466 A1 *	5/2013	Teraoka	B23K 3/033
				219/538

* cited by examiner

Primary Examiner — Philip S Hyder
(74) *Attorney, Agent, or Firm* — Lucas & Mercanti, LLP

(57) **CLAIM**

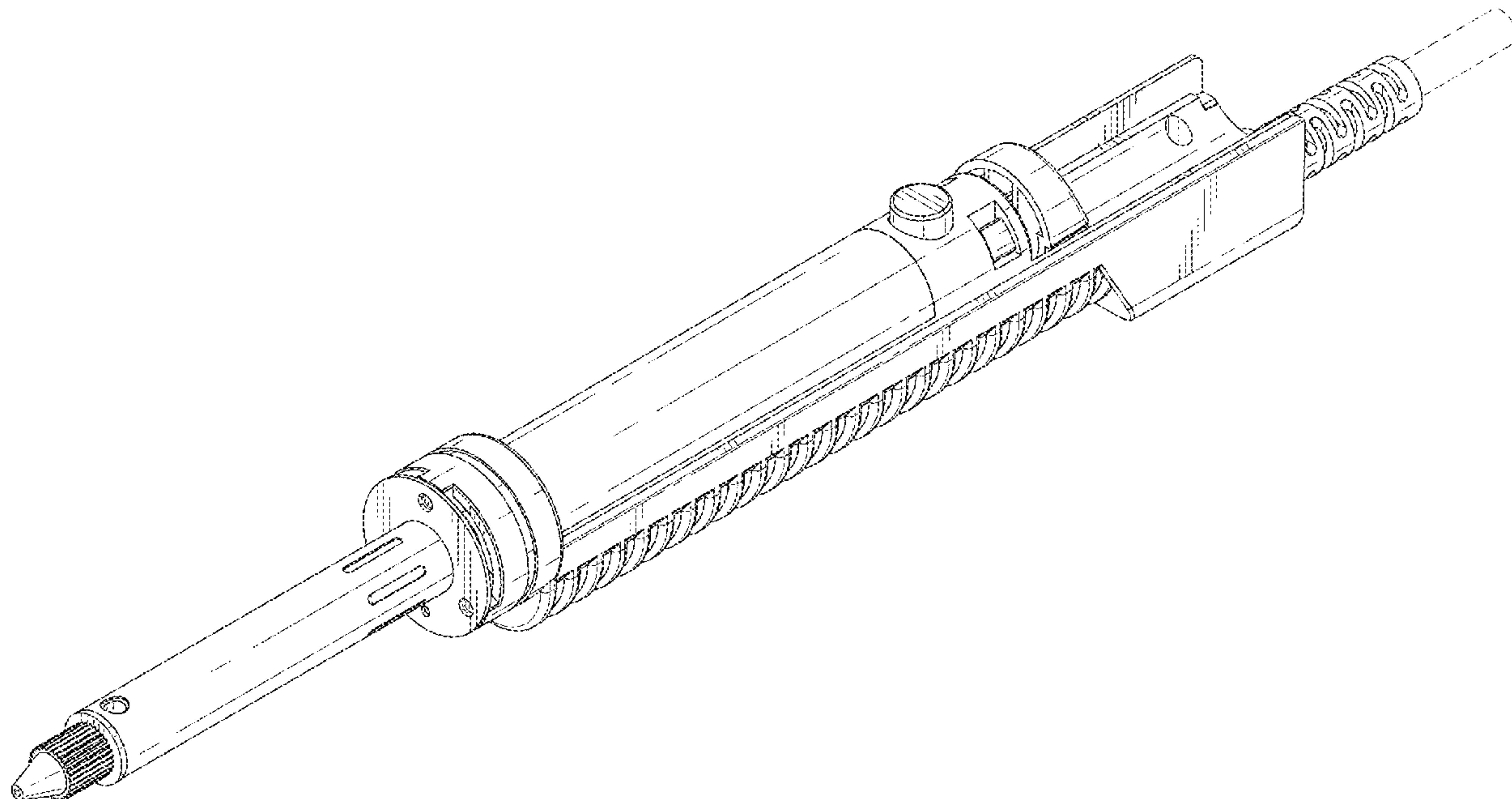
The ornamental design for a soldering iron, as shown and described.

DESCRIPTION

FIG. 1 is a top, front, left side perspective view of the soldering iron;
FIG. 2 is a top, rear, left side perspective view thereof;
FIG. 3 a top view thereof;
FIG. 4 is a bottom view thereof;
FIG. 5 is a left side view thereof;
FIG. 6 is a right side view thereof;
FIG. 7 is an enlarged front view thereof; and,
FIG. 8 is an enlarged rear elevation view thereof.
The broken lines show portions of the soldering iron which form no part of the claimed design.

1 Claim, 6 Drawing Sheets

- (56) **References Cited**
U.S. PATENT DOCUMENTS
- D285,283 S * 8/1986 Cheng D8/30
- D300,200 S * 3/1989 Arehart D8/30
- D300,297 S * 3/1989 Arehart D8/30
- 5,928,536 A * 7/1999 Lee B23K 3/033
- | | | 219/229 |
- D847,233 S * 4/2019 Gou D15/144
- D847,234 S * 4/2019 Gou D15/144
- D847,235 S * 4/2019 Gou D15/144
- D862,547 S * 10/2019 Xie D8/30
- D879,169 S * 3/2020 Xu D8/30
- D891,209 S * 7/2020 Gou D8/30



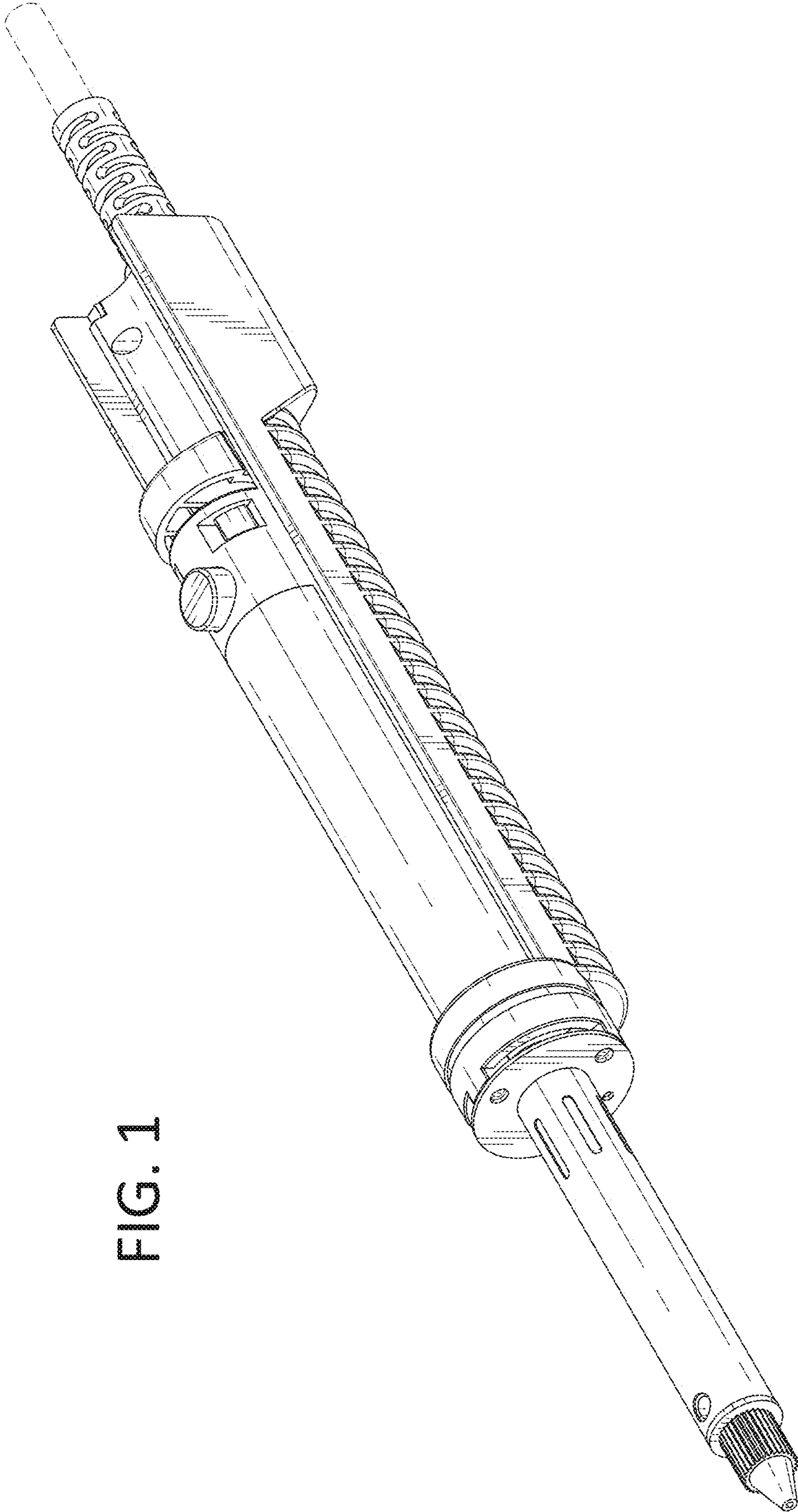
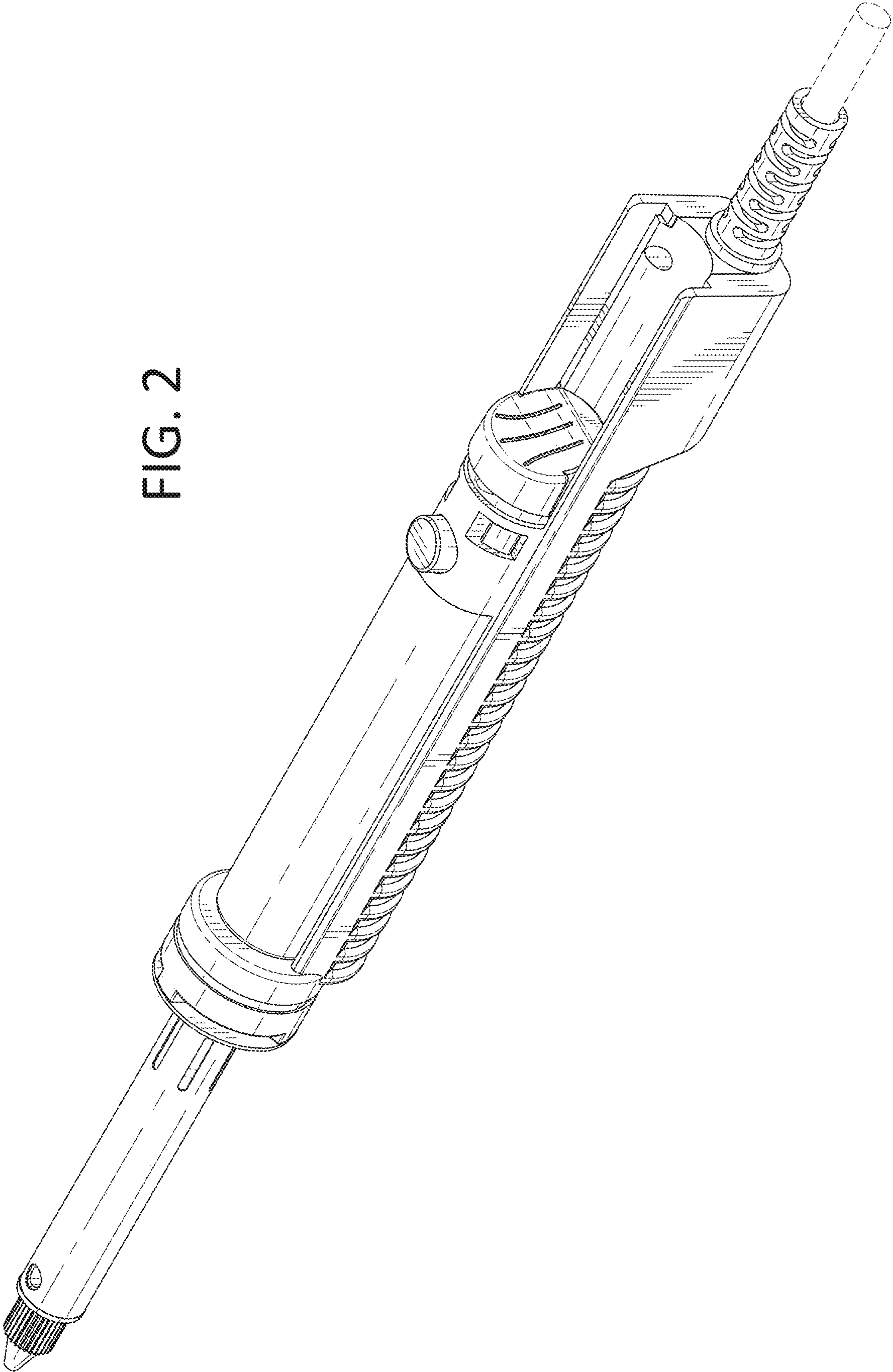


FIG. 1

FIG. 2



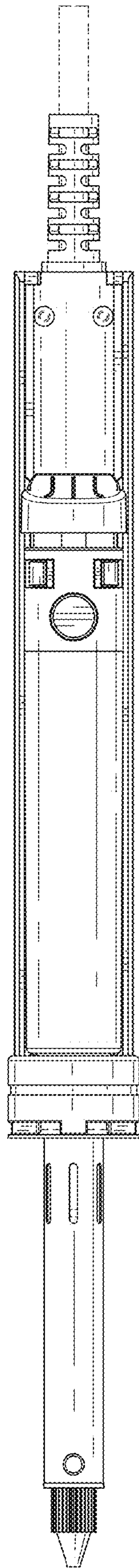


FIG. 3

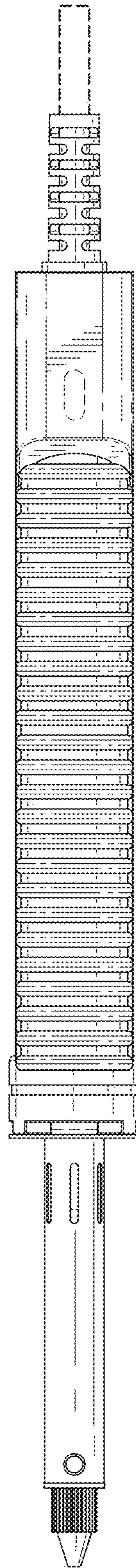


FIG. 4

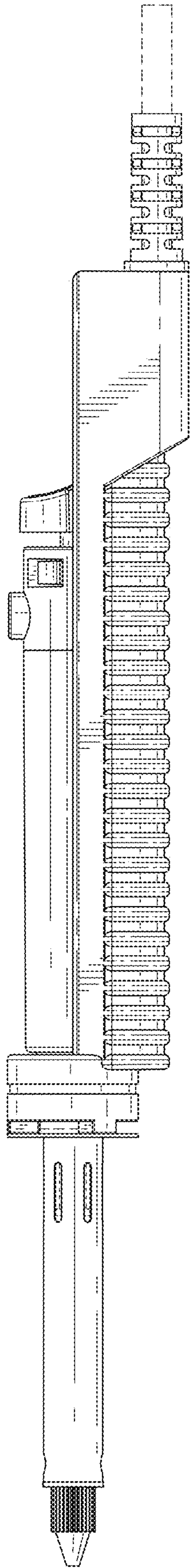


FIG. 5

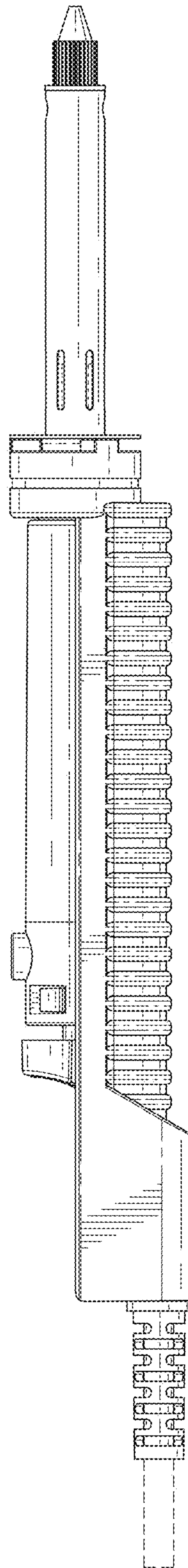


FIG. 6

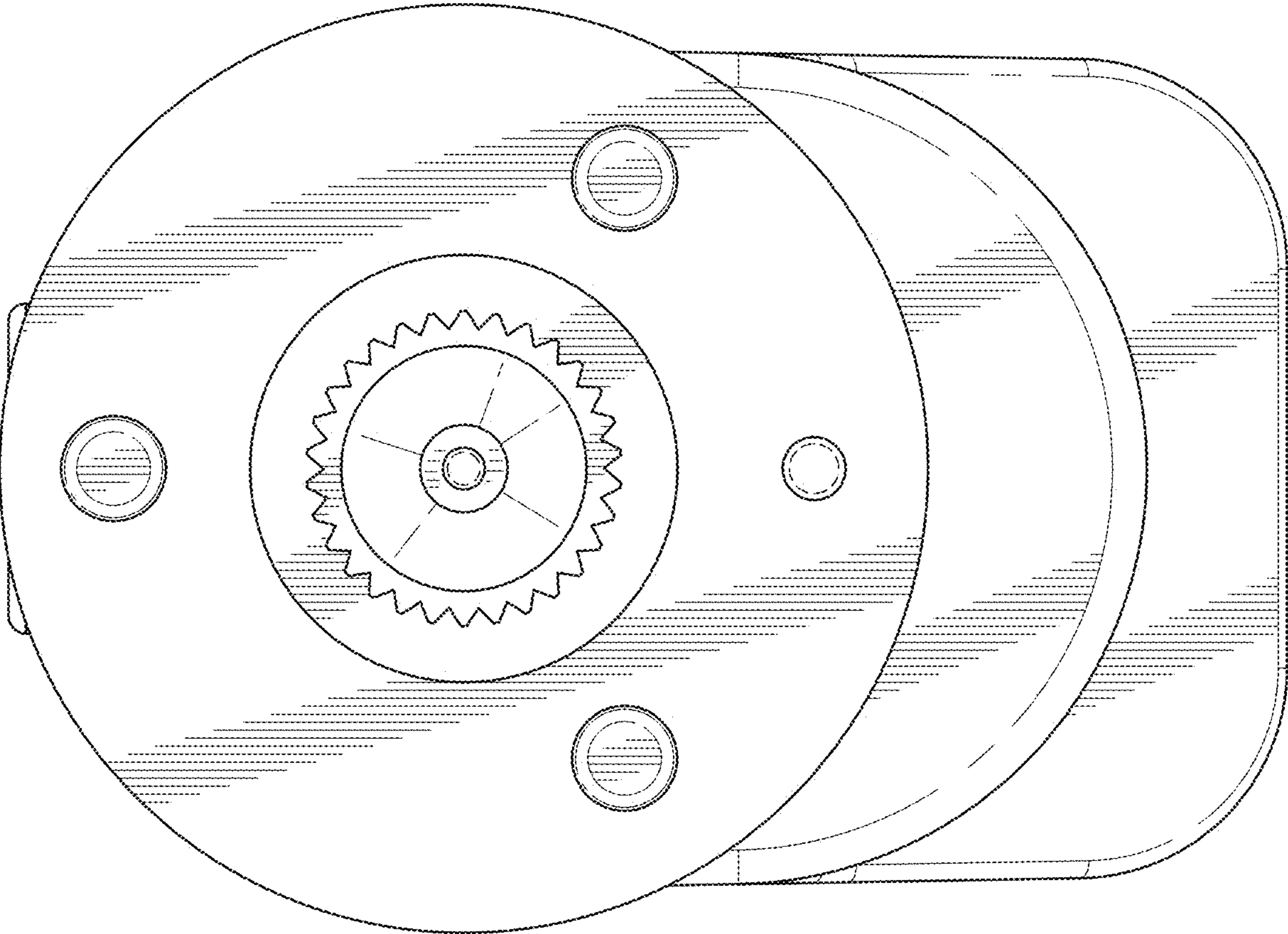


FIG. 7

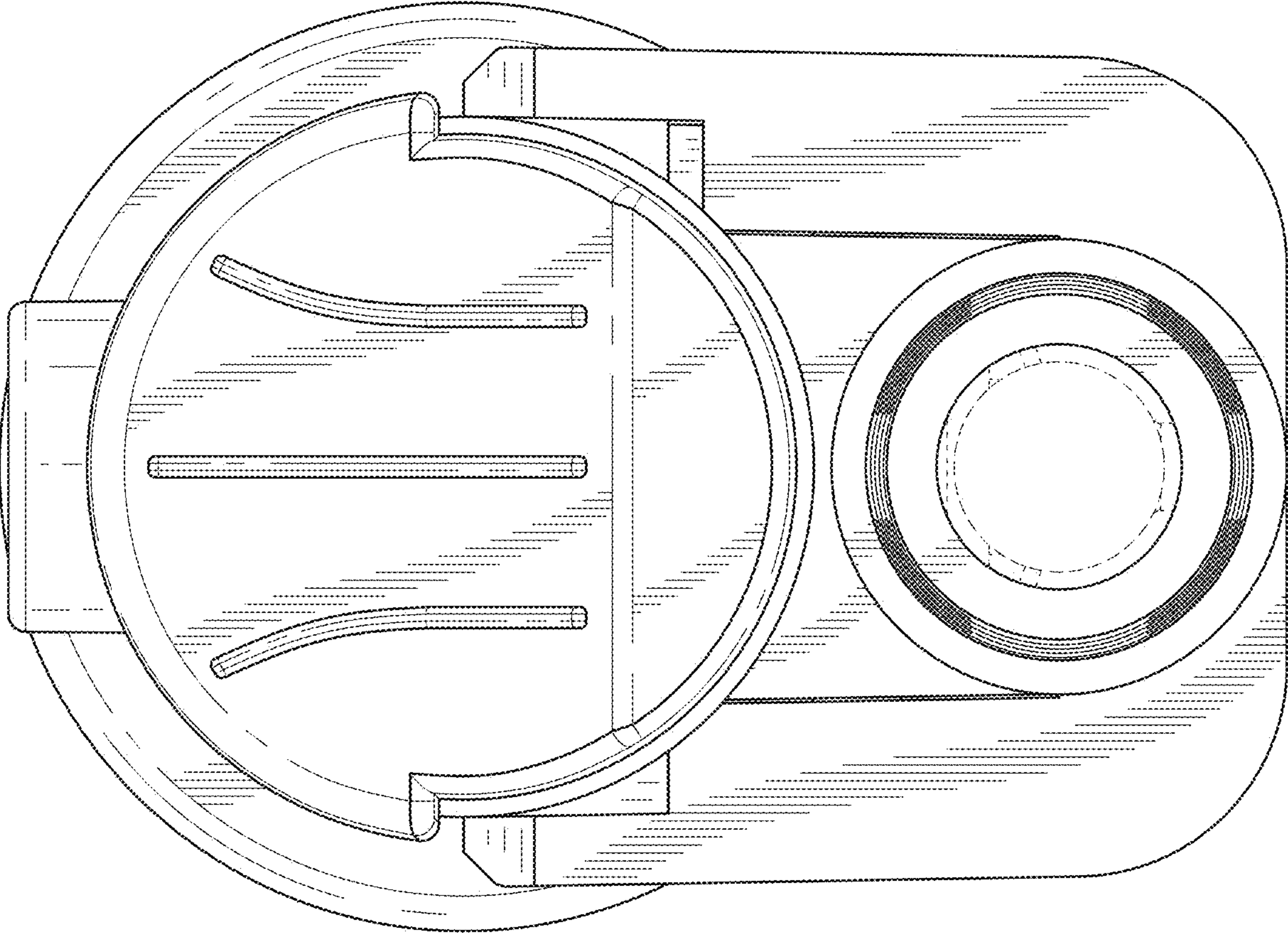


FIG. 8