



US00D986696S

(12) **United States Design Patent**
Lewis

(10) **Patent No.:** **US D986,696 S**

(45) **Date of Patent:** **** May 23, 2023**

(54) **BED-MAKING TOOL**

(71) Applicant: **Travis R. Lewis**, Valdosta, GA (US)

(72) Inventor: **Travis R. Lewis**, Valdosta, GA (US)

(**) Term: **15 Years**

(21) Appl. No.: **29/805,914**

(22) Filed: **Aug. 31, 2021**

(51) **LOC (14) Cl.** **08-05**

(52) **U.S. Cl.**
USPC **D8/14**

(58) **Field of Classification Search**
USPC D8/14, 45, 88, 89, 105, 107
CPC A47C 21/00; A47C 21/022; A47C 21/028;
A47C 21/085; B68G 15/00; Y10T 24/23
See application file for complete search history.

(56) **References Cited**

U.S. PATENT DOCUMENTS

D246,345 S *	11/1977	Poncia	D8/14
D268,073 S *	3/1983	Schaeffer	D8/14
D268,804 S *	5/1983	Bacon	D8/14
D275,540 S *	9/1984	Barkow	294/219
4,520,518 A *	6/1985	Reaser	A47C 21/022
				24/72.5
4,745,650 A *	5/1988	Elliott	A47C 21/00
				81/488
D362,376 S *	9/1995	Oaks	A47C 21/00
				D8/19
D493,078 S *	7/2004	McGee	A47C 21/022
				D8/14

D563,744 S *	3/2008	Adwar	D8/47
D655,144 S *	3/2012	Hajarizadeh	D8/47
D660,115 S *	5/2012	Montross	D8/47
D743,761 S *	11/2015	Dioguardi	D8/19
D880,263 S *	4/2020	Pottorff	D8/14
D915,162 S *	4/2021	Garrett	D8/14

* cited by examiner

Primary Examiner — Philip S Hyder

(74) *Attorney, Agent, or Firm* — Withers & Keys, LLC

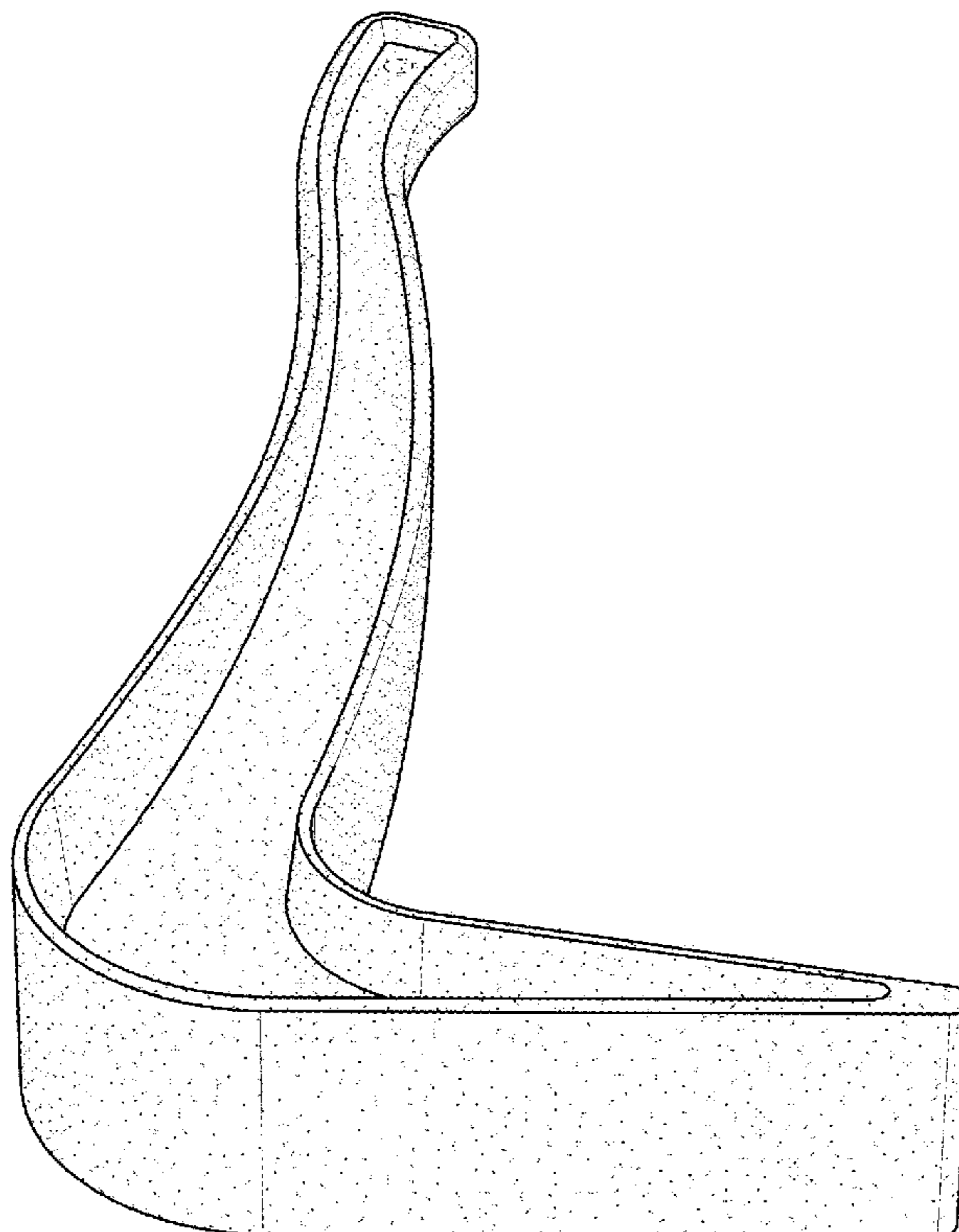
(57) **CLAIM**

The ornamental design for a bed-making tool, as shown and described.

DESCRIPTION

FIG. 1 is a perspective view of a bed-making tool showing my new design;
FIG. 2 is another perspective view of the bed-making tool as viewed from a front side of the bed-making tool;
FIG. 3 is a right-side view of the bed-making tool;
FIG. 4 is a left-side view of the bed-making tool;
FIG. 5 is a rear view of the bed-making tool;
FIG. 6 is a front view of the bed-making tool;
FIG. 7 is a top view of the bed-making tool; and,
FIG. 8 is a bottom view of the bed-making tool.
The broken lines shown in the drawings form no part of the claimed design.

1 Claim, 8 Drawing Sheets



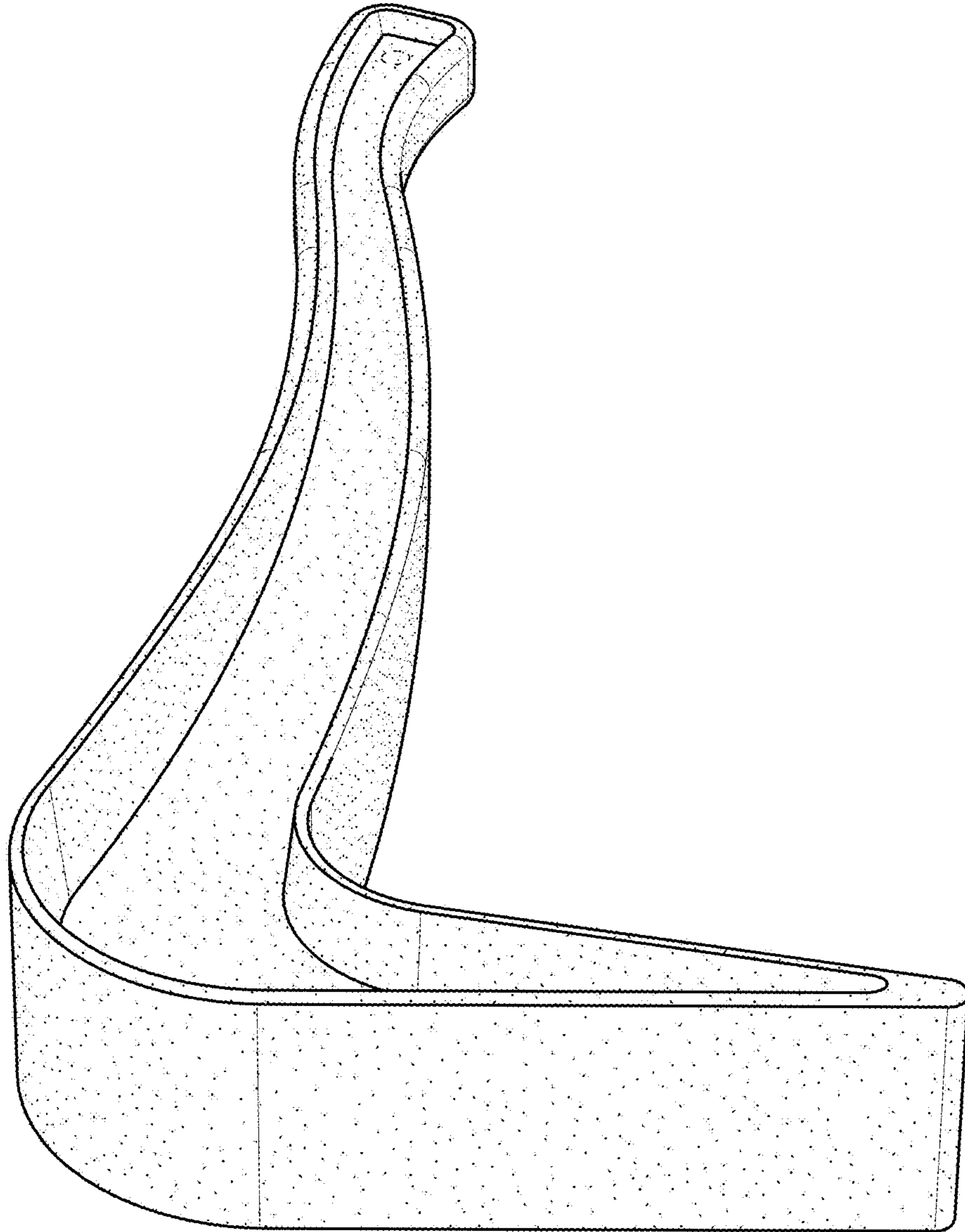


FIG.1

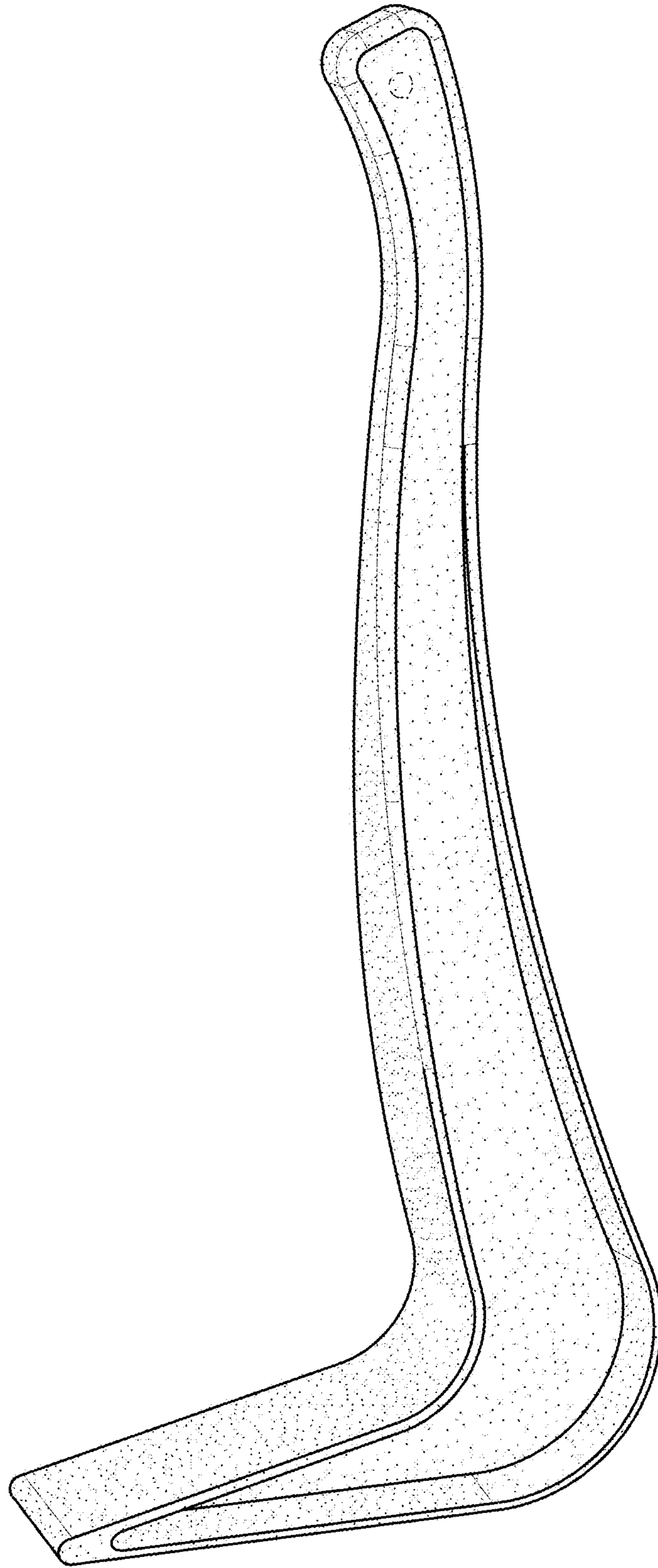


FIG.2

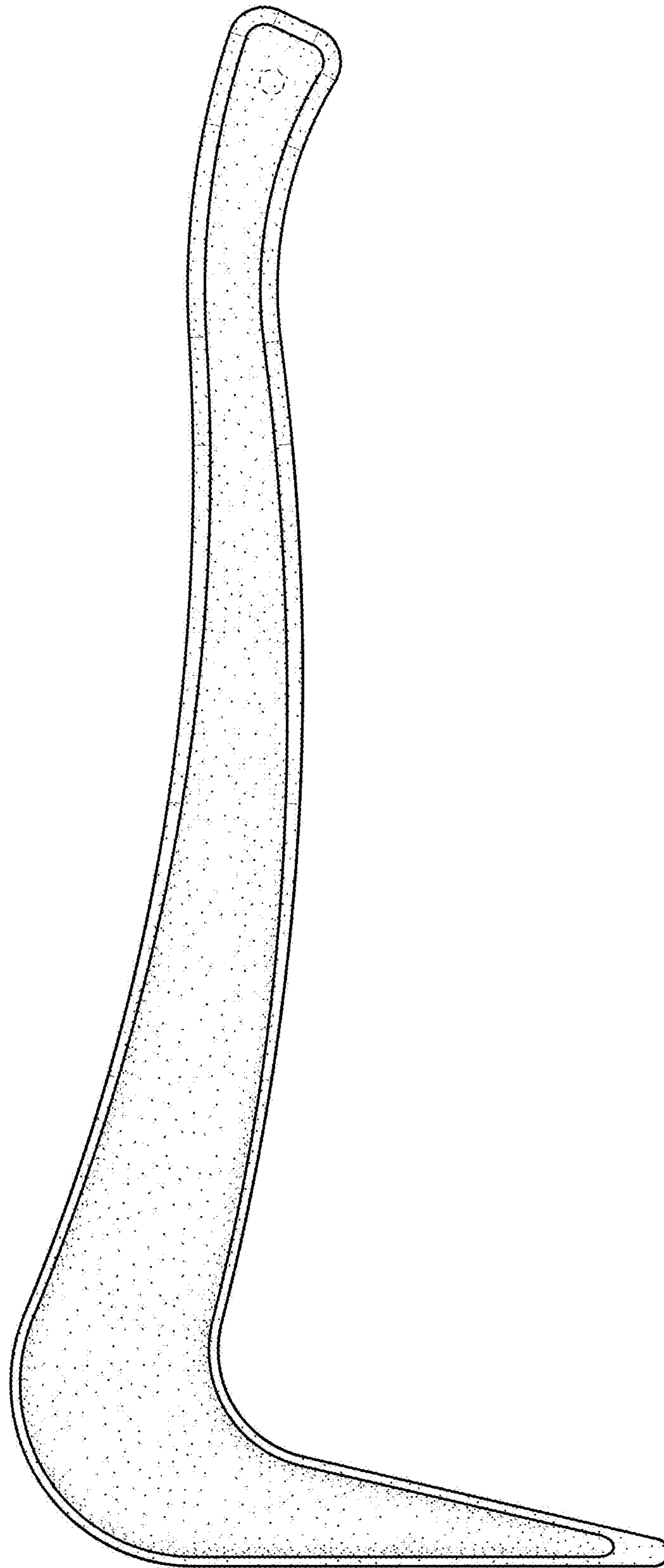


FIG.3

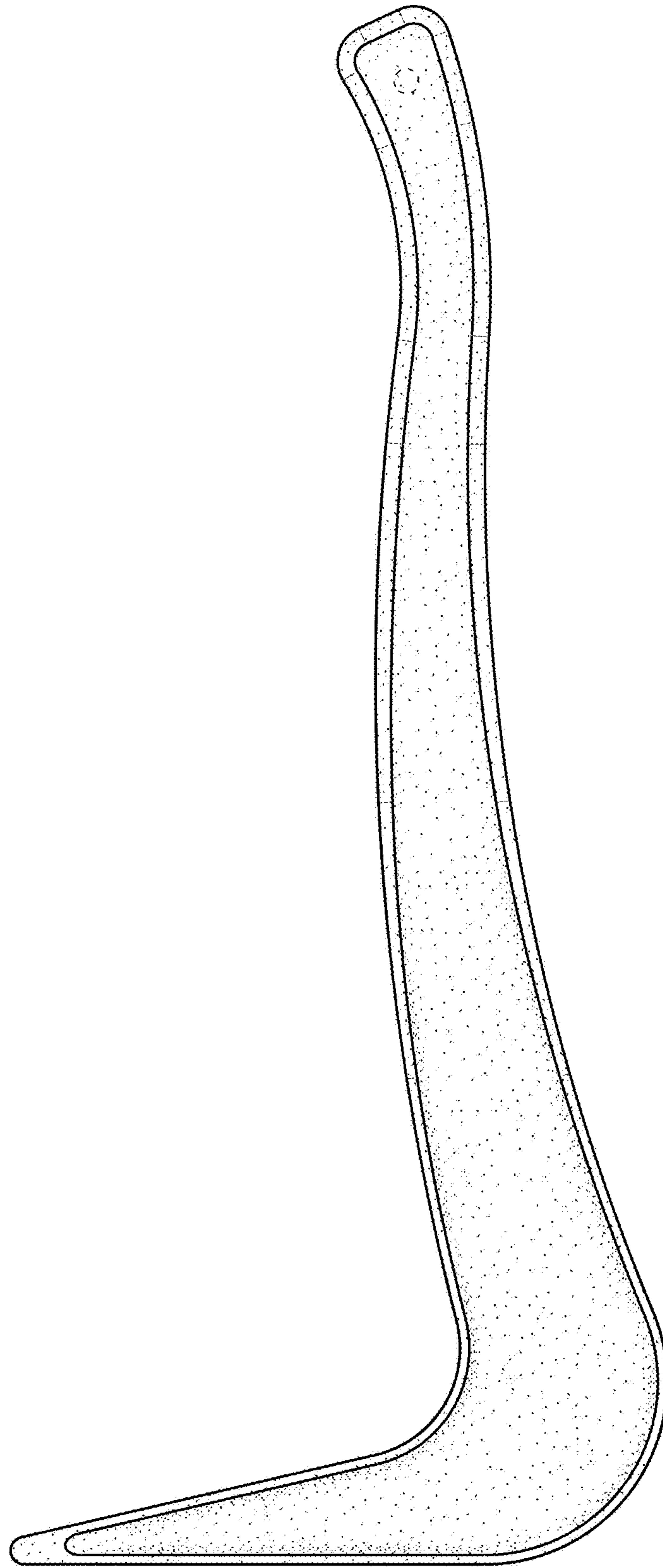


FIG.4

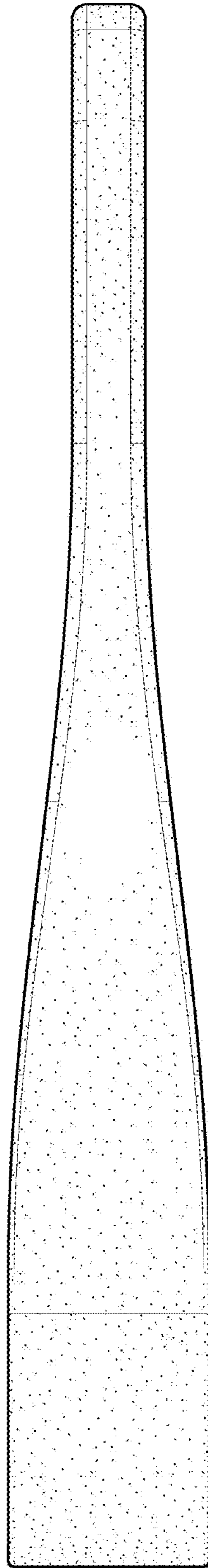


FIG. 5

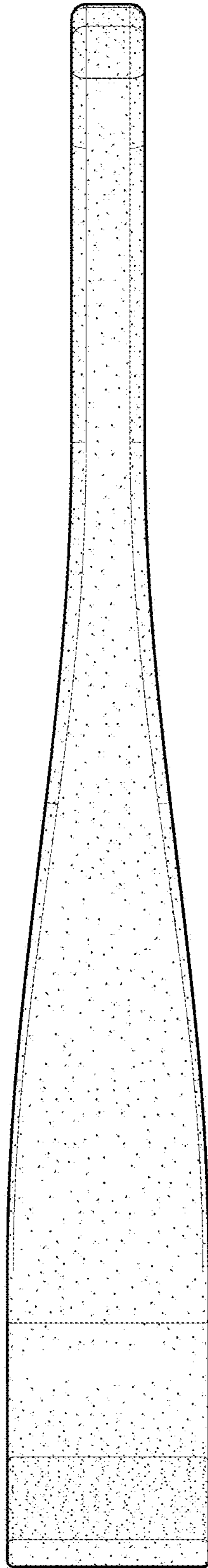


FIG.6

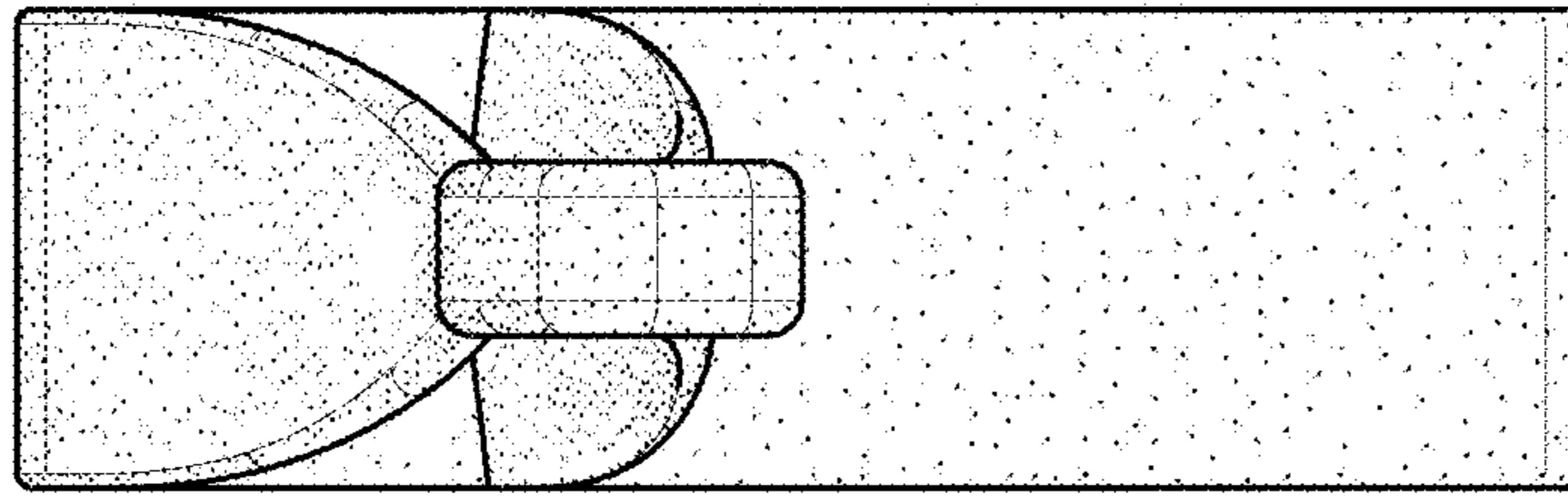


FIG.7

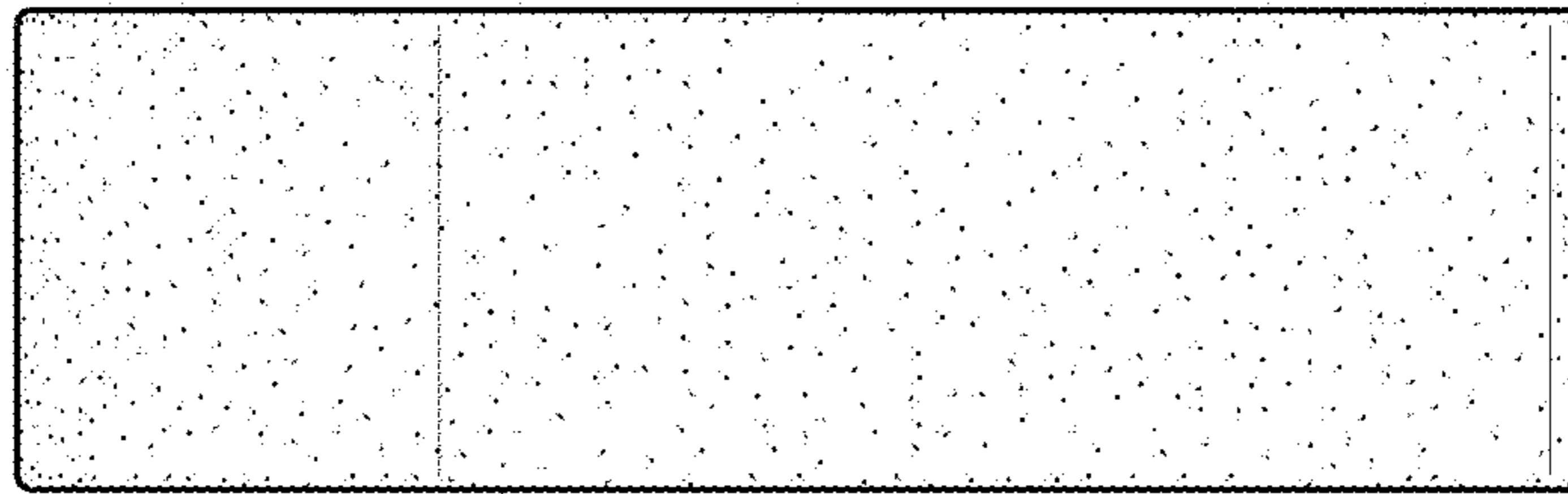


FIG.8