



US00D986694S

(12) **United States Design Patent**
DeFrancia

(10) **Patent No.:** **US D986,694 S**
(45) **Date of Patent:** **** May 23, 2023**

(54) **COMBINATION MULTI-COMPARTMENT CARRIER AND CANISTER**

DESCRIPTION

- (71) Applicant: **Ice Rover, Inc.**, Niwot, CO (US)
- (72) Inventor: **Tomas A. DeFrancia**, Niwot, CO (US)
- (73) Assignee: **Ice Rover, Inc.**, Niwot, CO (US)
- (**) Term: **15 Years**
- (21) Appl. No.: **29/743,708**
- (22) Filed: **Jul. 23, 2020**
- (51) **LOC (14) Cl.** **07-09**
- (52) **U.S. Cl.**
USPC **D7/706**
- (58) **Field of Classification Search**
USPC D3/304, 307-312, 313, 345; D7/605,
D7/701, 705-708

(Continued)

(56) **References Cited**

U.S. PATENT DOCUMENTS

- 2,501,772 A 3/1950 Guard
- 3,182,884 A * 5/1965 Waldron B65D 81/18
62/297

(Continued)

OTHER PUBLICATIONS

RovR KeepR + IceR Cooler (dated Mar. 13, 2020) <https://www.backcountry.com/rovr-keepr-icer-cooler> (Year: 2020).*

(Continued)

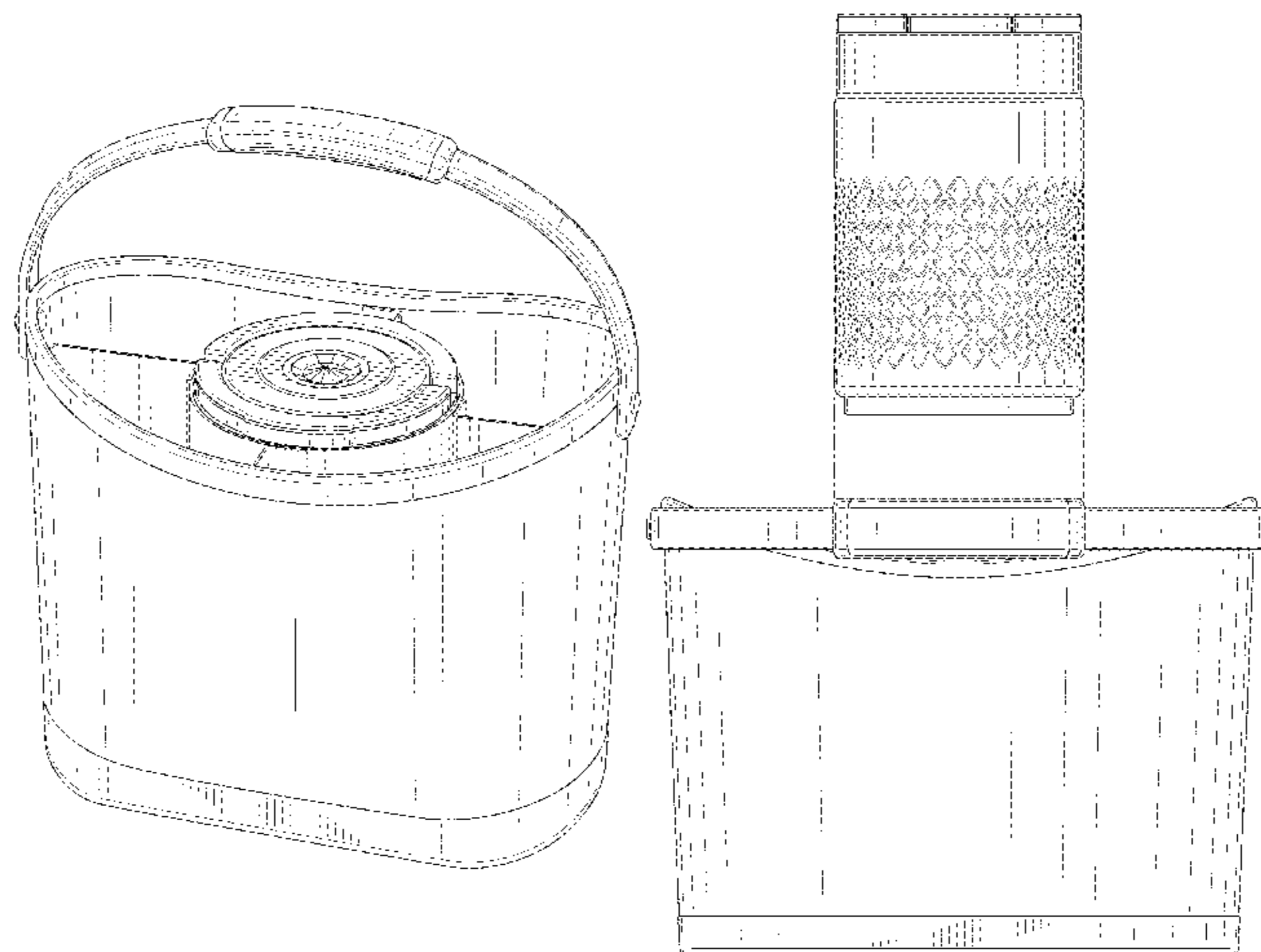
Primary Examiner — Kevin K Rudzinski
Assistant Examiner — Richard E Yenchesky
(74) *Attorney, Agent, or Firm* — Lieberman & Brandsdorfer, LLC

(57) **CLAIM**

The ornamental design for a combination multi-compartment carrier and canister, as shown and described.

FIG. 1 is a front perspective view of a combination multi-compartment carrier and canister showing a first embodiment of my new design.
 FIG. 2 is a front view thereof.
 FIG. 3 is a rear view thereof.
 FIG. 4 is a left side view thereof.
 FIG. 5 is a right side view thereof.
 FIG. 6 is a top plan view thereof.
 FIG. 7 is a bottom plan view thereof.
 FIG. 8 is a top plan view thereof with a handle of the multi-compartment carrier positioned at the rear of the carrier.
 FIG. 9 is a front view thereof, with dash-dot-dash projection lines showing the canister removed from the multi-compartment carrier, wherein the rear view is identical to the front view.
 FIG. 10 is a left side view thereof, with dash-dot-dash projection lines showing the canister removed from the multi-compartment carrier, wherein the right side view is identical to the left side view.
 FIG. 11 is a front perspective view thereof.
 FIG. 12 is a front perspective view of a combination multi-compartment carrier and canister showing a second embodiment of my new design.
 FIG. 13 is a front view thereof.
 FIG. 14 is a rear view thereof.
 FIG. 15 is a left side view thereof.
 FIG. 16 is a right side view thereof.
 FIG. 17 is a top plan view thereof.
 FIG. 18 is a bottom plan view thereof.
 FIG. 19 is a top plan view thereof with a handle of the multi-compartment carrier positioned at the rear of the carrier.
 FIG. 20 is a front view thereof, with dash-dot-dash projection lines showing the canister removed from the multi-compartment carrier, wherein the rear view is identical to the front view.
 FIG. 21 is a left side view thereof, with dash-dot-dash projection lines showing the canister removed from the multi-compartment carrier, wherein the right side view is identical to the left side view; and,
 FIG. 22 is a front perspective view thereof.

(Continued)



The broken lines are included in FIGS. 1, 6, 8, 11, 12, 17, 19, and 22 to represent portions of the combination multi-compartment carrier and canister that are not considered part of the claimed design. Broken lines in FIGS. 11 and 22 showing beverages illustrate environmental structure and are for illustrative purposes only. The broken lines form no part of the claimed design.

1 Claim, 22 Drawing Sheets

(58) **Field of Classification Search**

CPC F25D 3/08; F25D 31/007; A47L 13/51;
B65D 1/243; B65D 1/122; B65D 71/0003
See application file for complete search history.

(56) **References Cited**

U.S. PATENT DOCUMENTS

4,204,596 A * 5/1980 Davis B65D 71/0003
206/139
4,234,114 A * 11/1980 Wood B65D 71/0003
206/510
D386,616 S * 11/1997 Nimer D3/308
D396,749 S * 8/1998 Ortiz D7/608
D484,011 S * 12/2003 Strobel D7/706
D553,361 S 10/2007 Splain et al.

D635,415 S * 4/2011 Chin D7/703
8,230,697 B2 7/2012 Lavallee
8,608,015 B2 12/2013 Wolf et al.
8,800,317 B2 8/2014 Dallas et al.
D783,287 S * 4/2017 Swartzel D3/305
D808,736 S 1/2018 Acord
D885,846 S 6/2020 Woodall
D913,060 S * 3/2021 DeFrancia D7/706
D928,945 S * 8/2021 Ajaelo D24/115
11,154,177 B1 * 10/2021 Johnson A47L 13/59
D960,655 S * 8/2022 Zhang D7/602
2005/0092640 A1 5/2005 Woodward
2011/0252824 A1 * 10/2011 Dallas F25D 3/08
206/518
2012/0097555 A1 * 4/2012 Munn B65D 71/0003
206/139
2013/0068635 A1 * 3/2013 Ralph B65D 5/4608
206/139
2013/0233011 A1 * 9/2013 Wolf F25D 3/08
220/592.16
2017/0008659 A1 * 1/2017 Brewster A47F 5/112
2020/0346828 A1 * 11/2020 Gish B65D 25/2802
2021/0009333 A1 * 1/2021 Hwang B65D 23/04

OTHER PUBLICATIONS

Notice of Allowance for U.S. Appl. No. 29/743,707 dated Nov. 20, 2020.

* cited by examiner

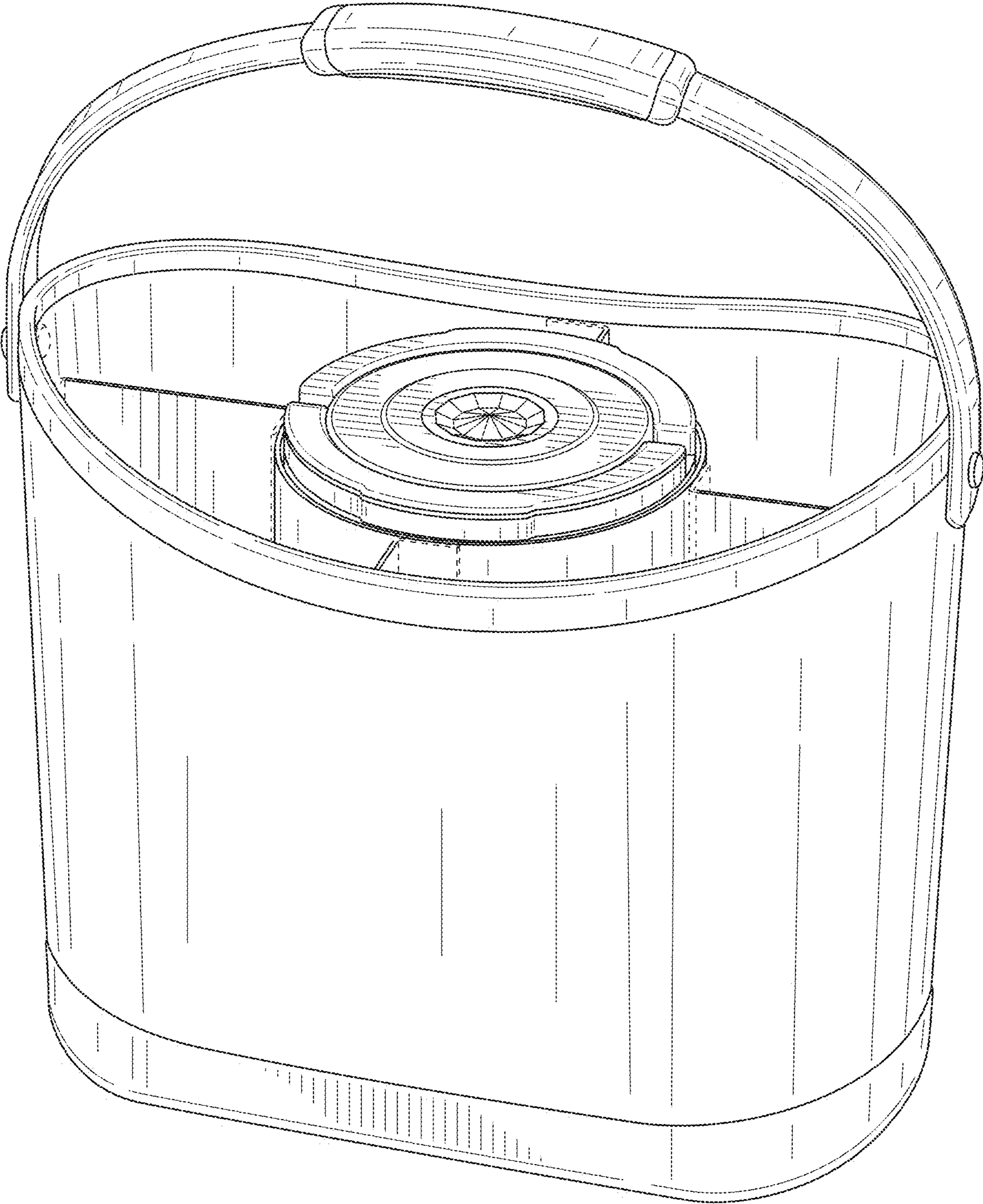


FIG. 1

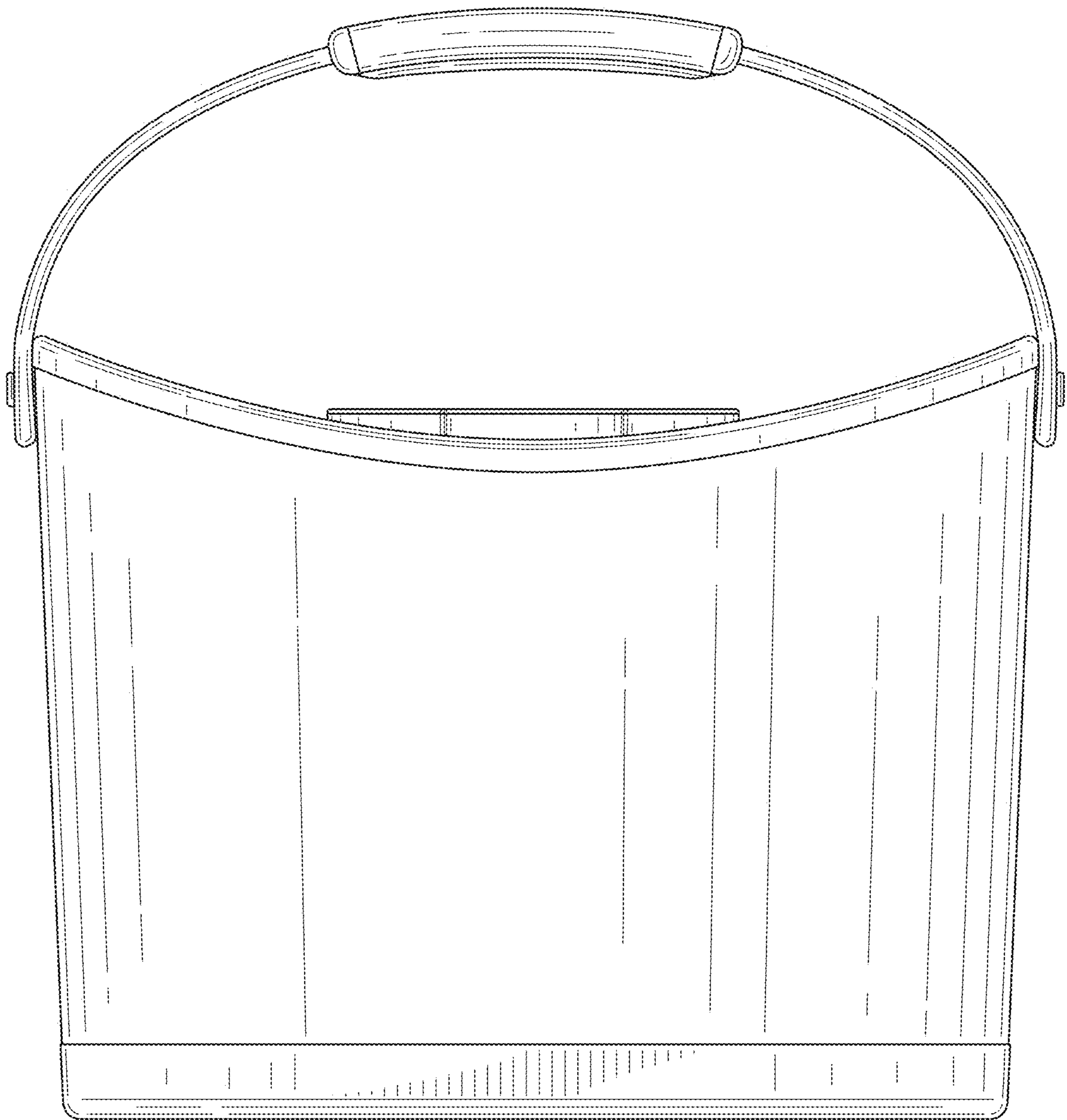


FIG. 2

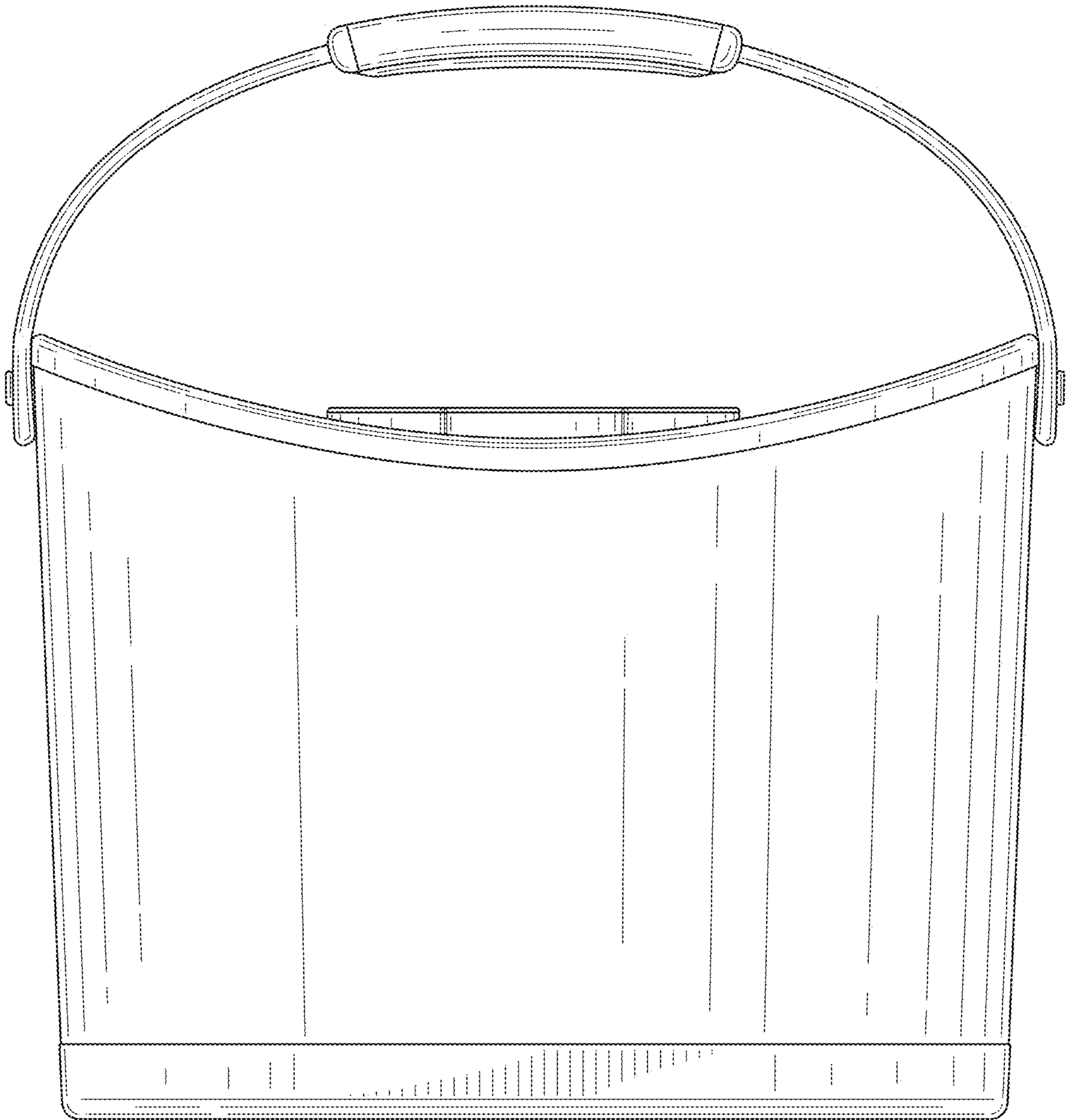


FIG. 3

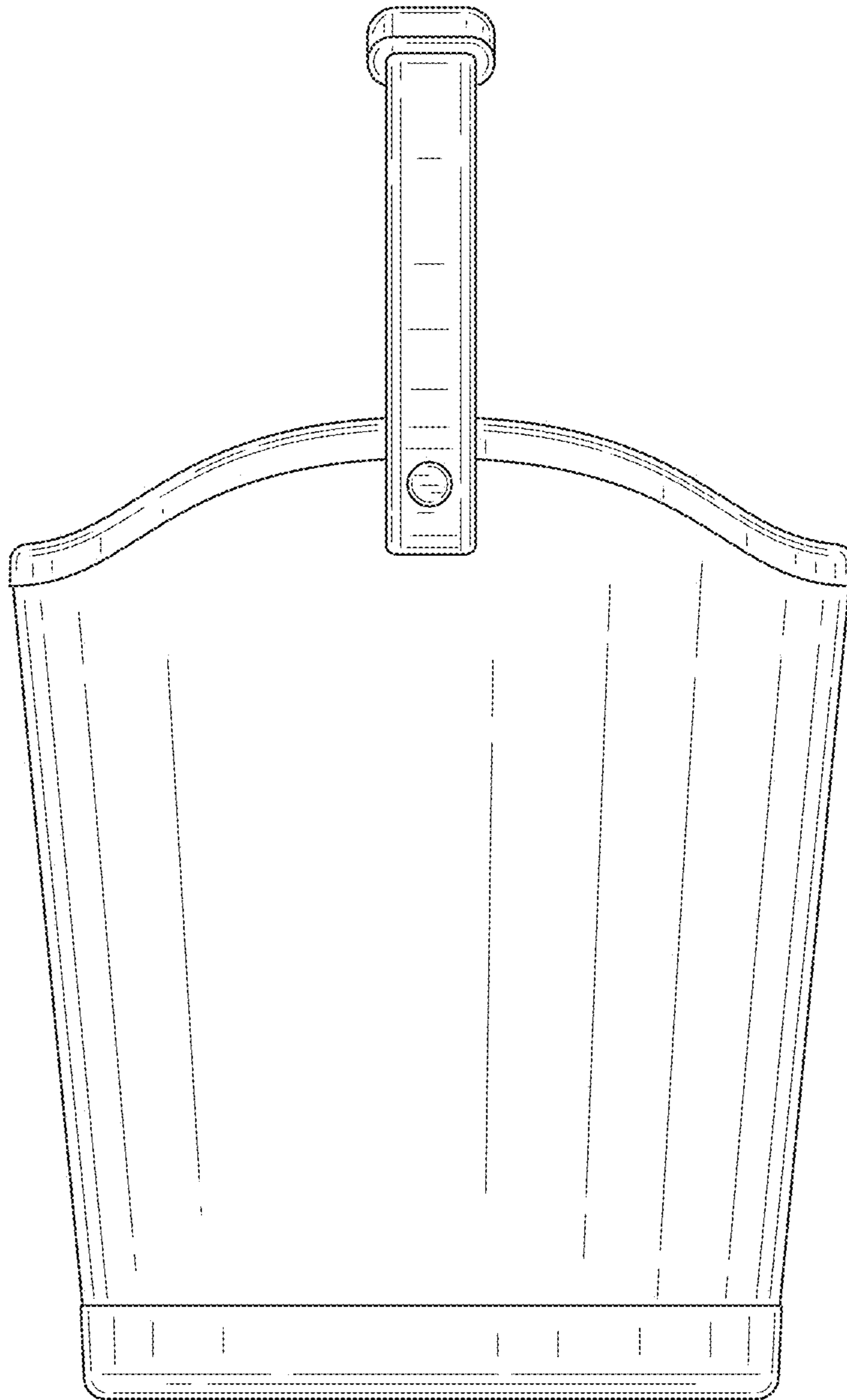


FIG. 4

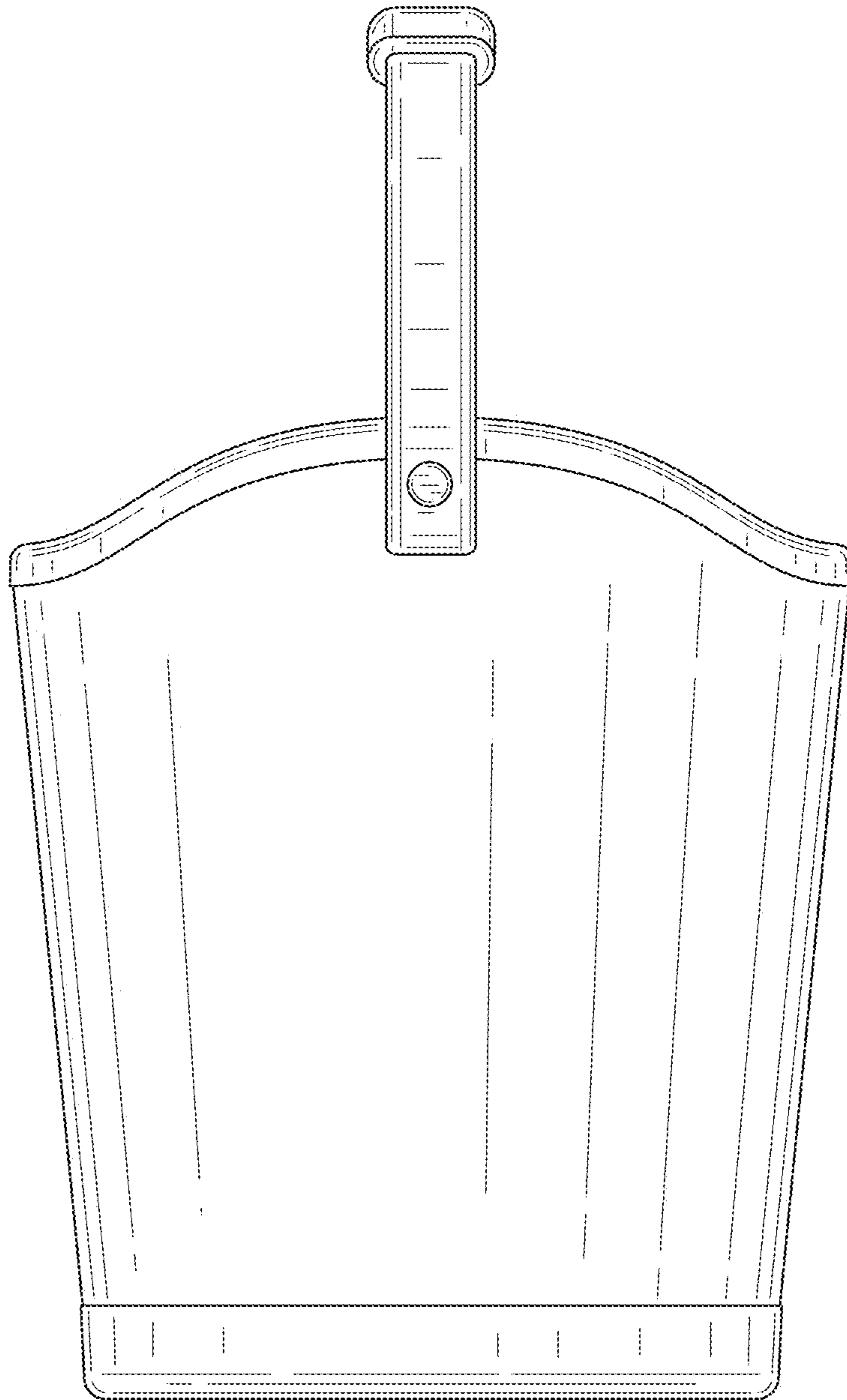


FIG. 5

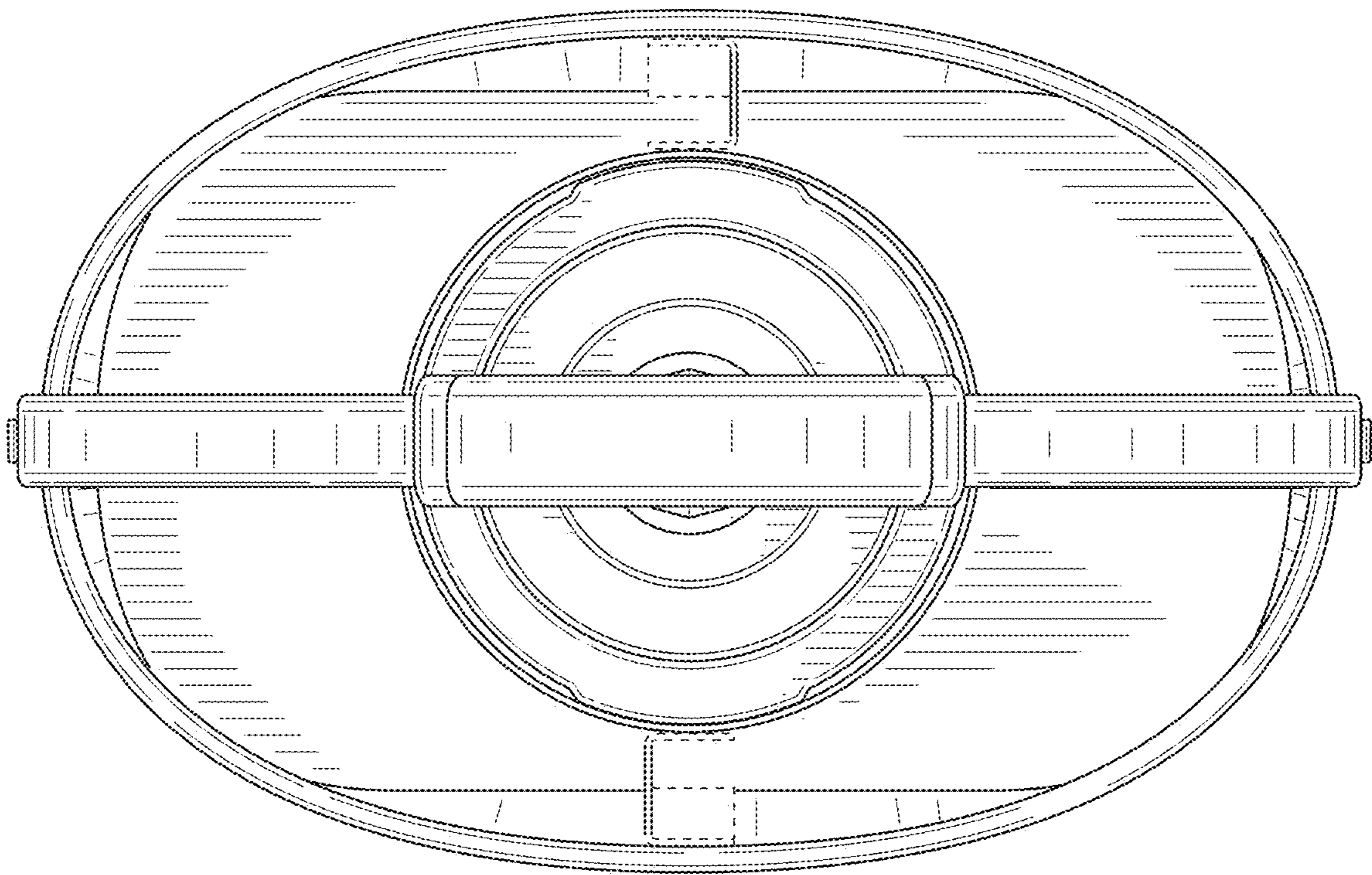


FIG. 6

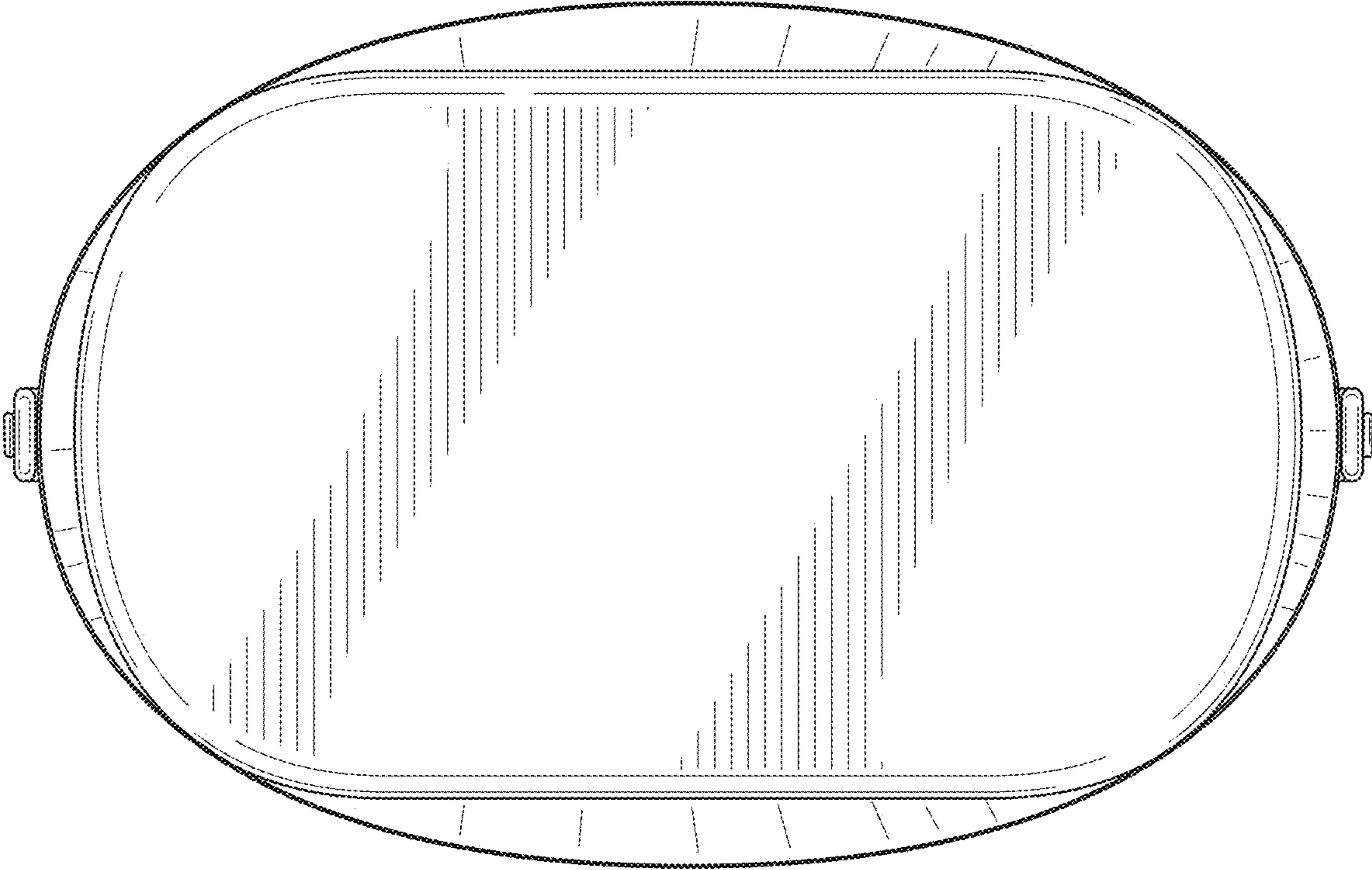


FIG. 7

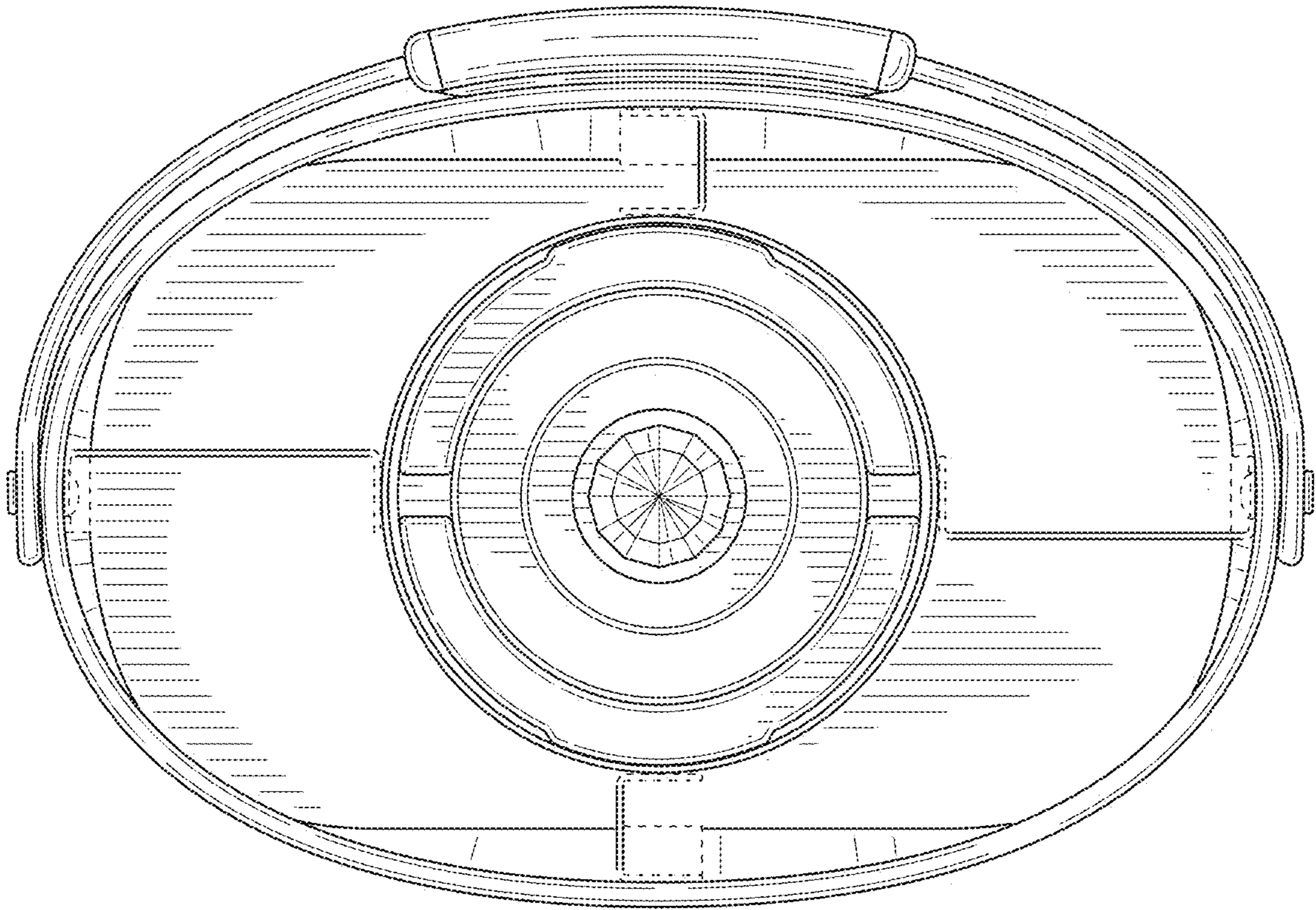


FIG. 8

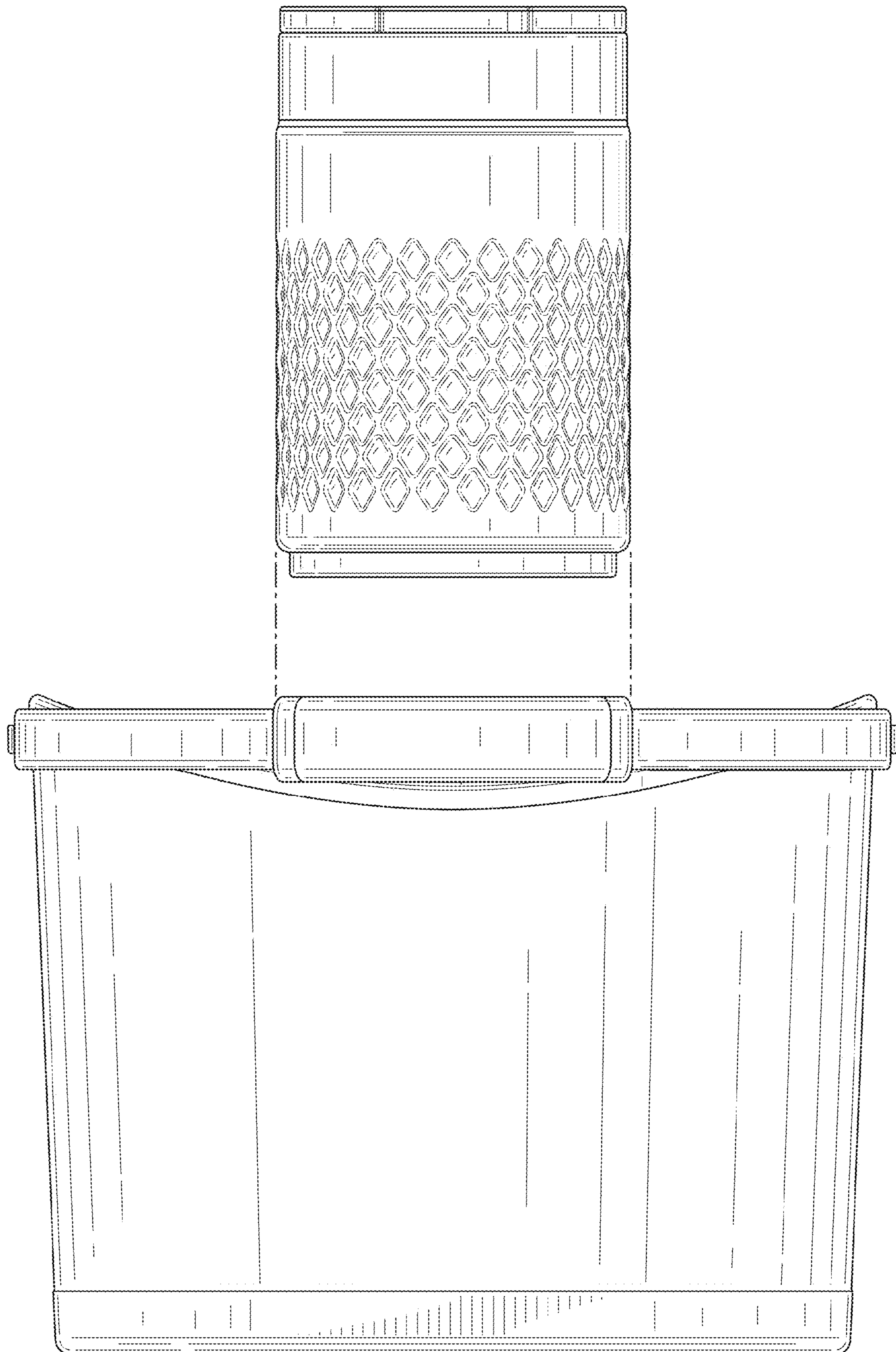


FIG. 9

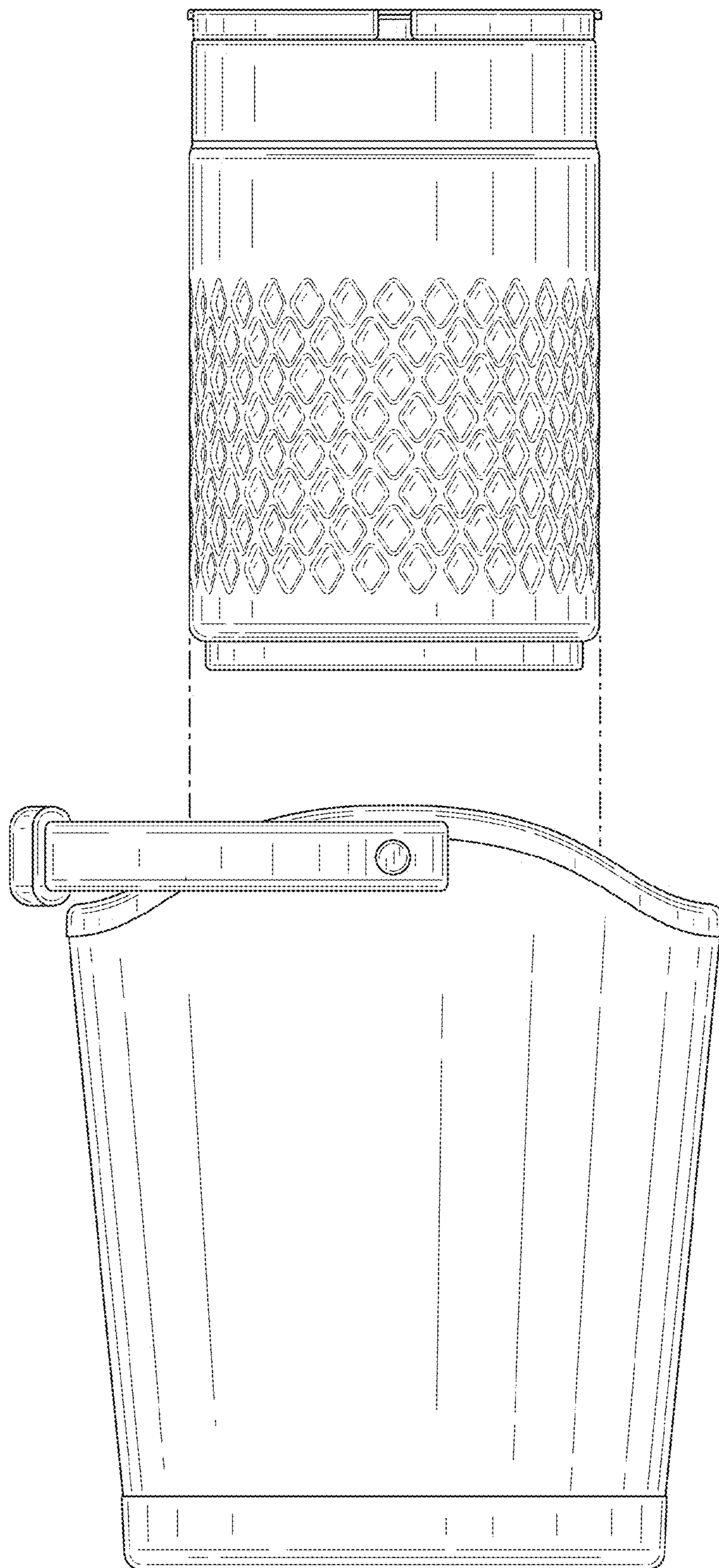


FIG. 10

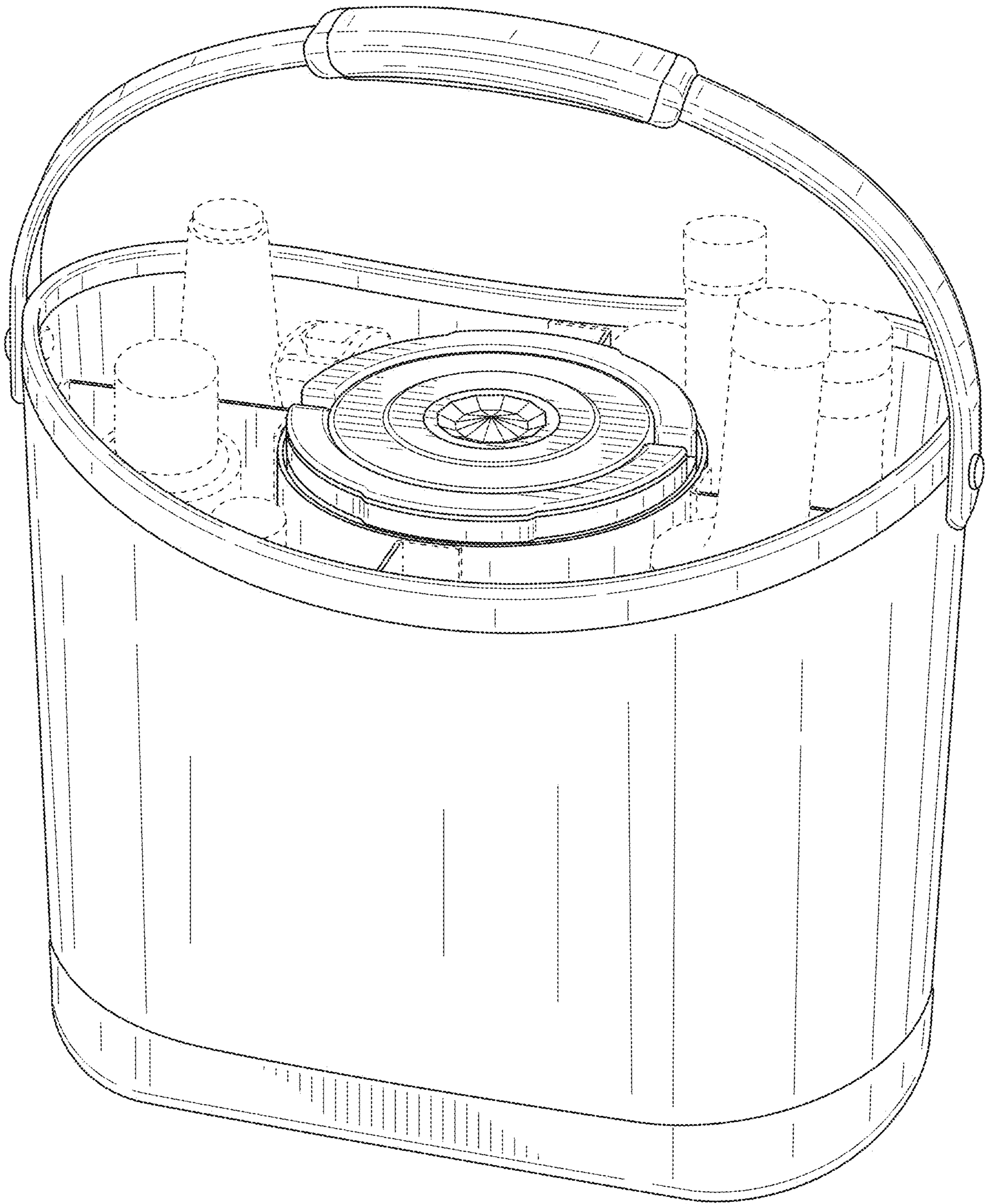


FIG. 11

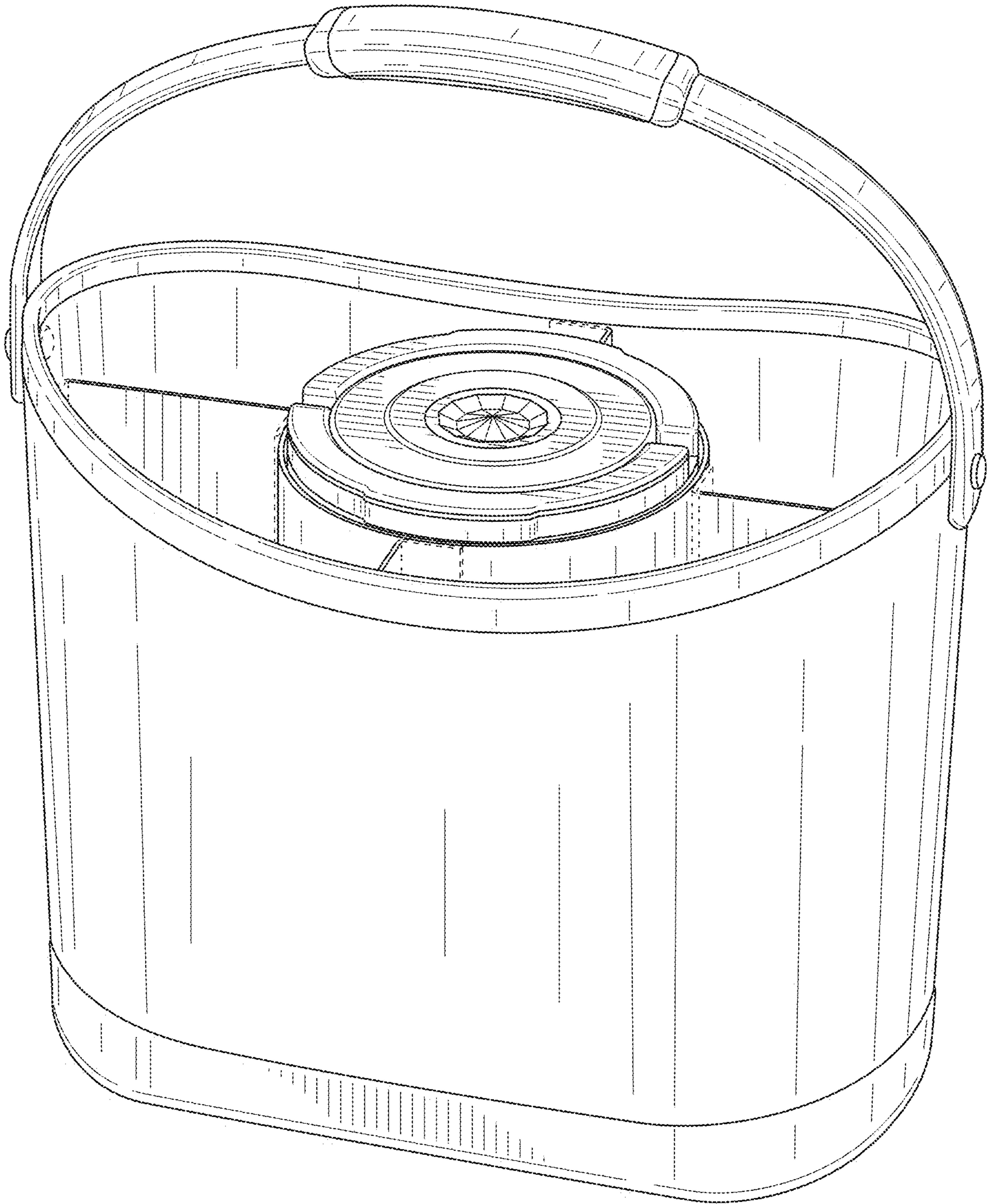


FIG. 12

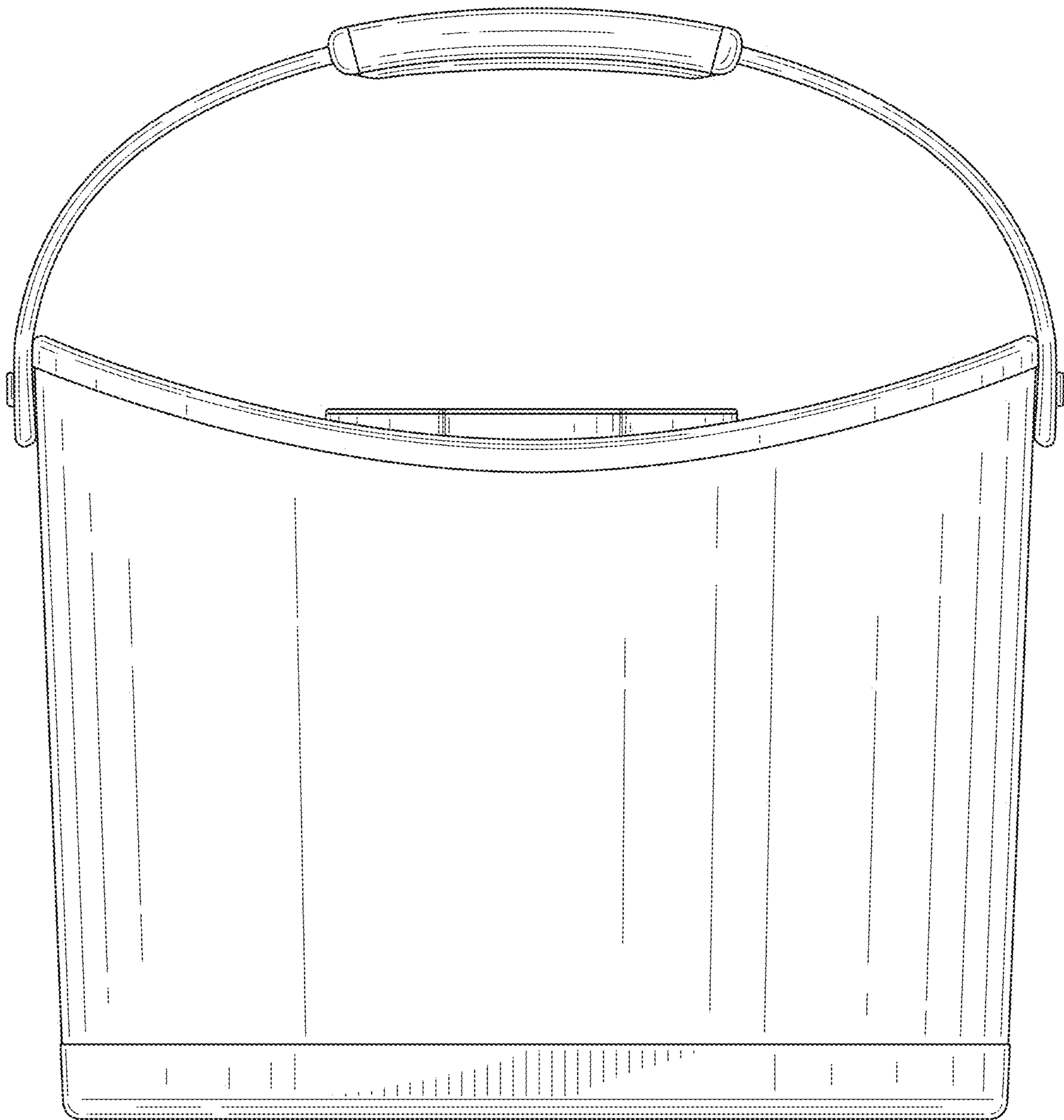


FIG. 13

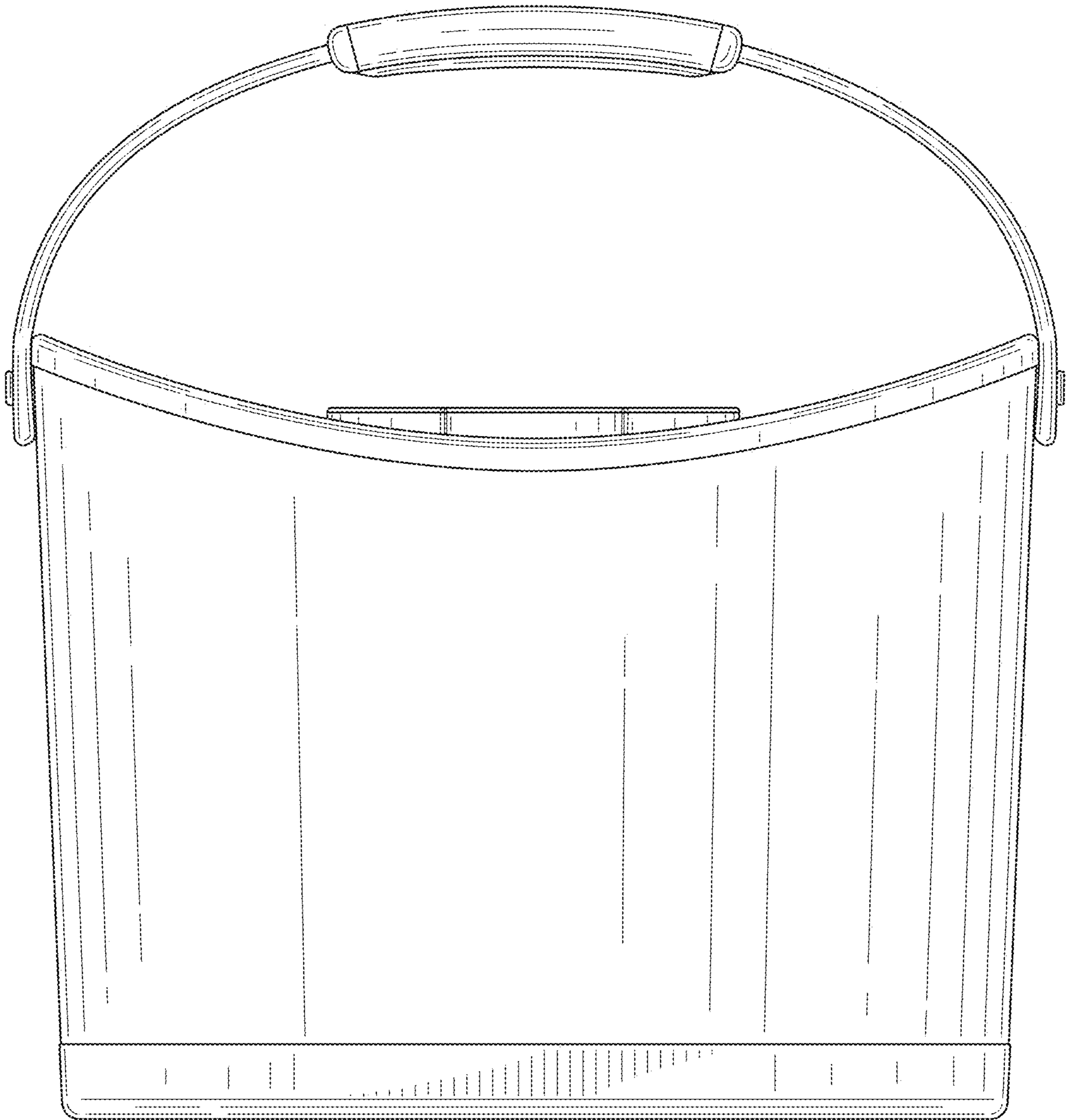


FIG. 14

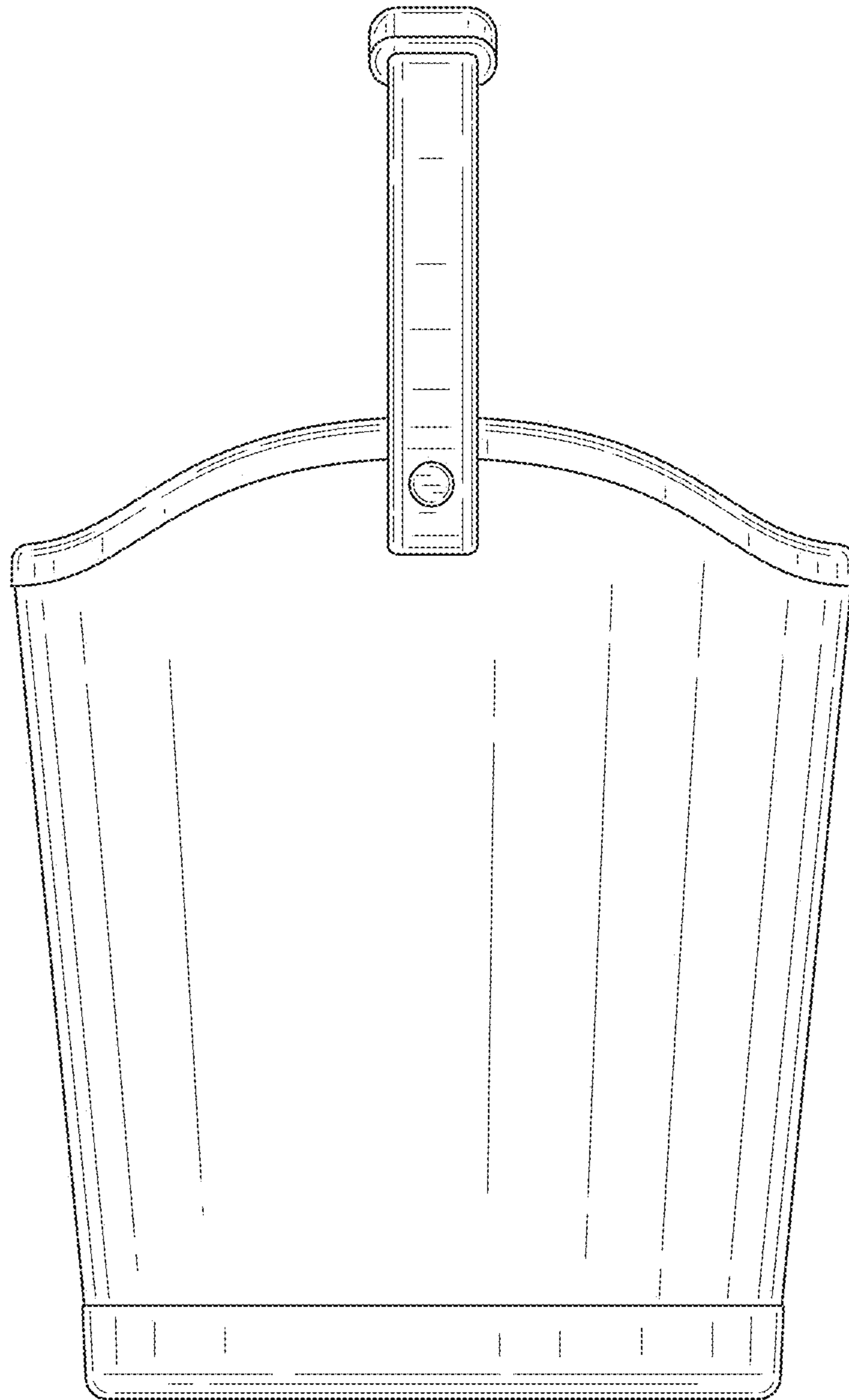


FIG. 15

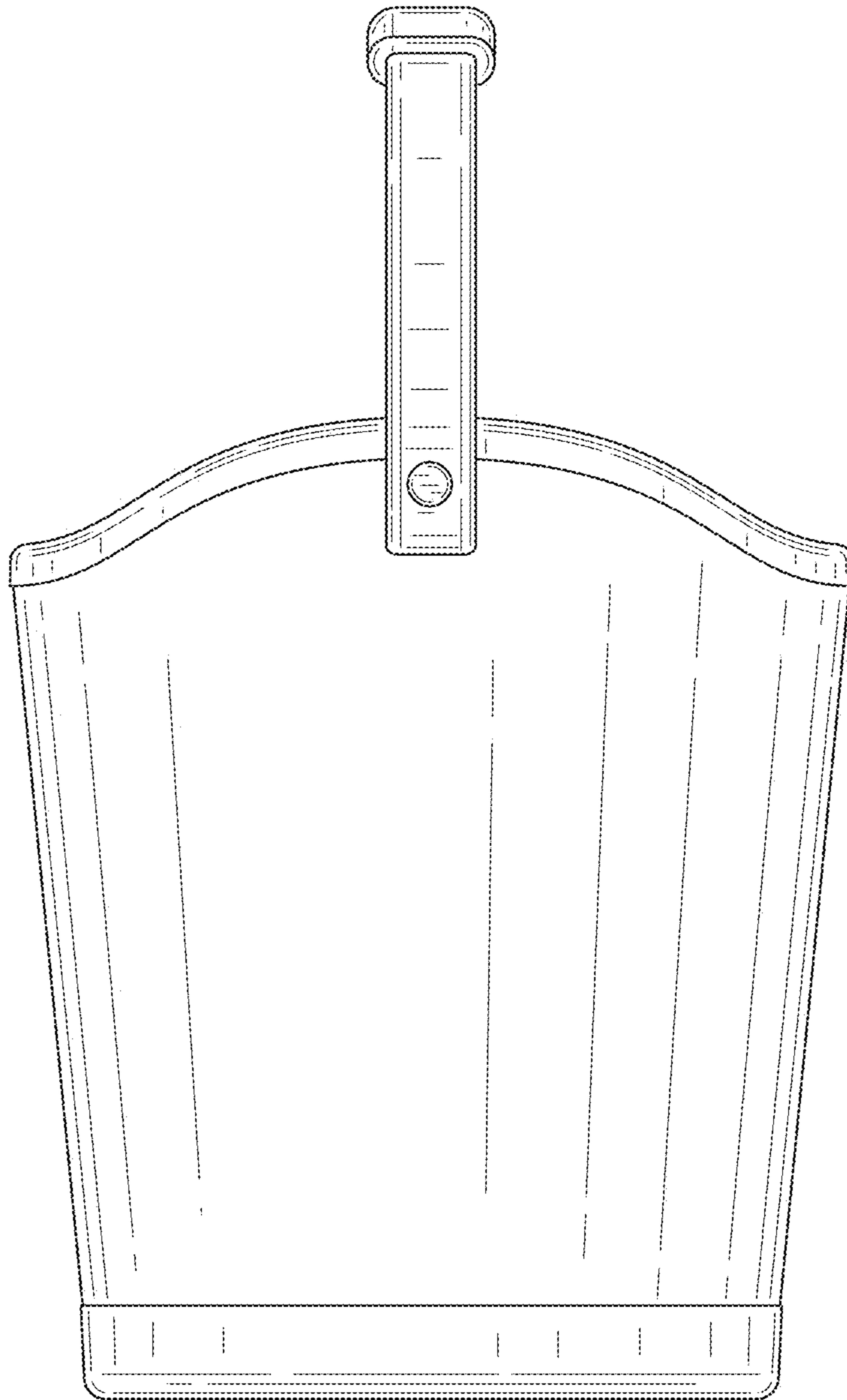


FIG. 16

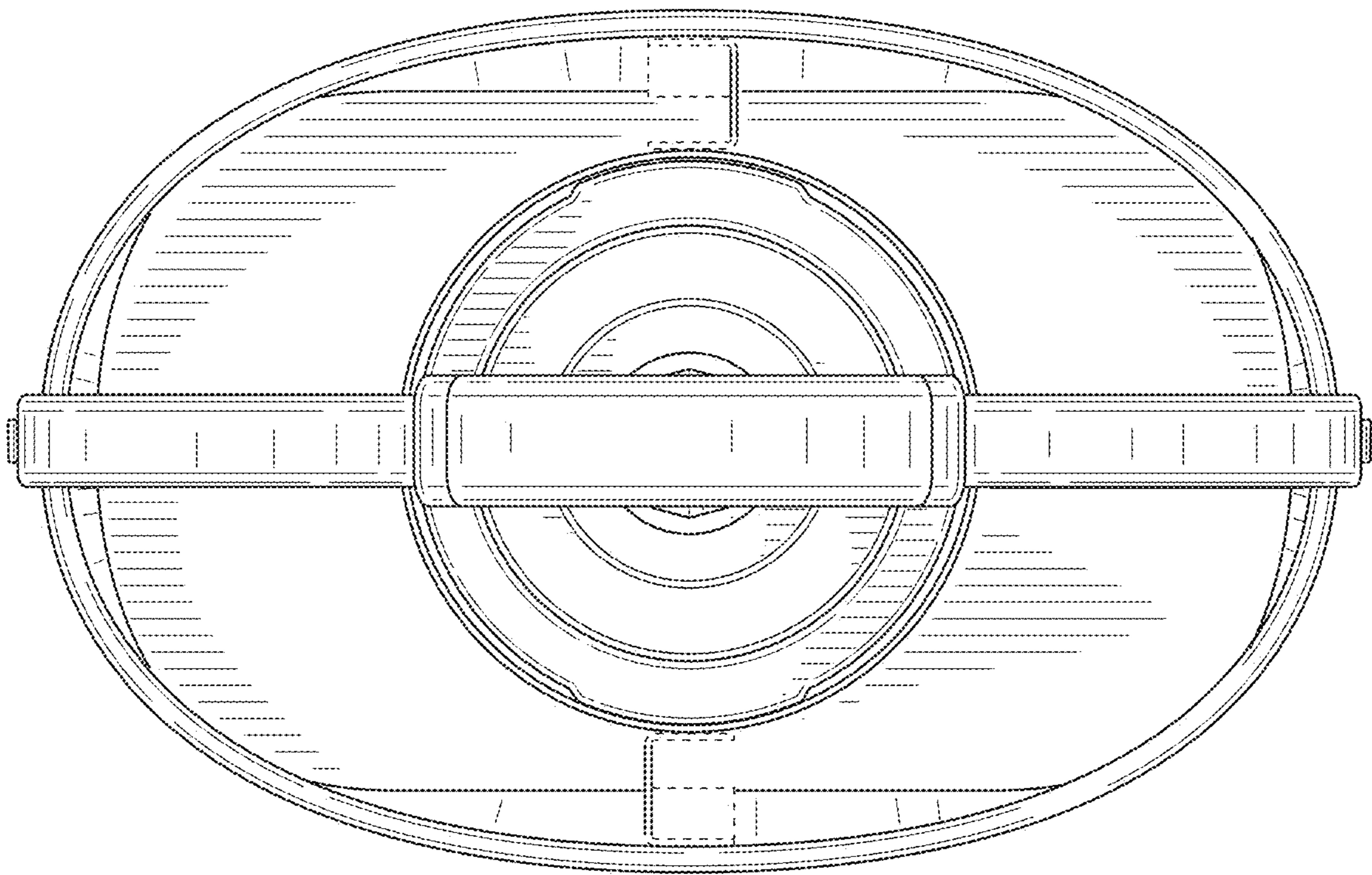


FIG. 17

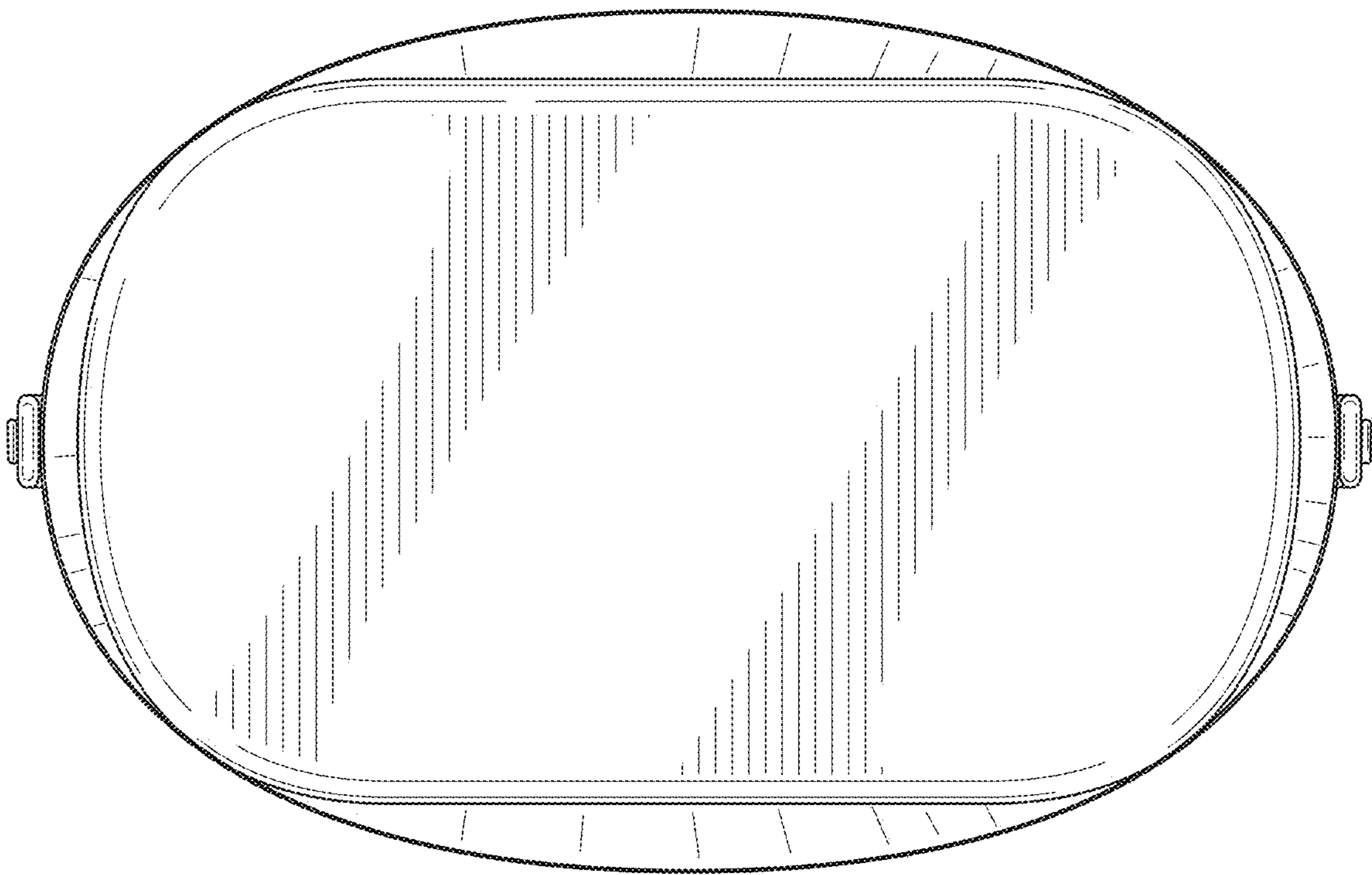


FIG. 18

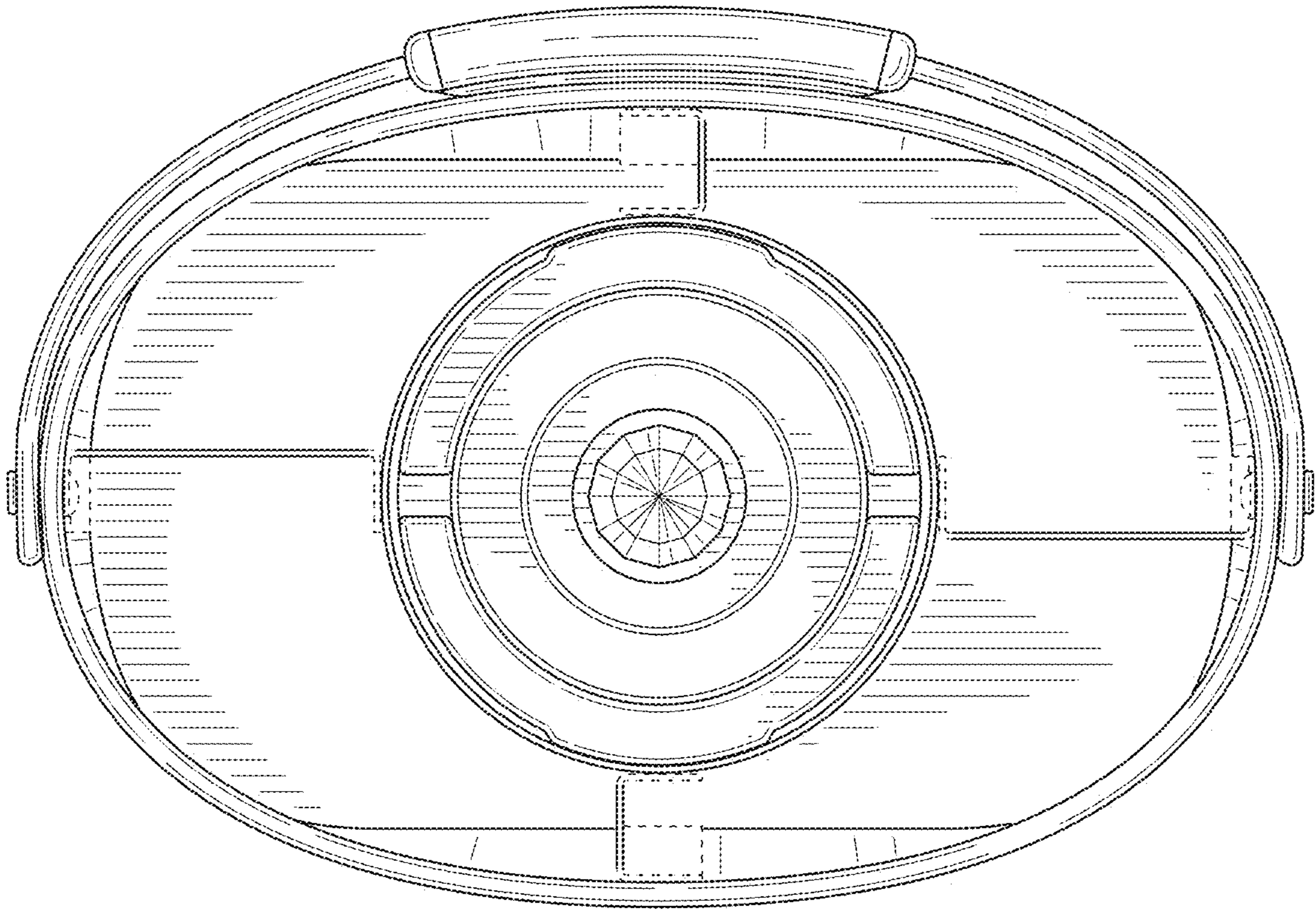


FIG. 19

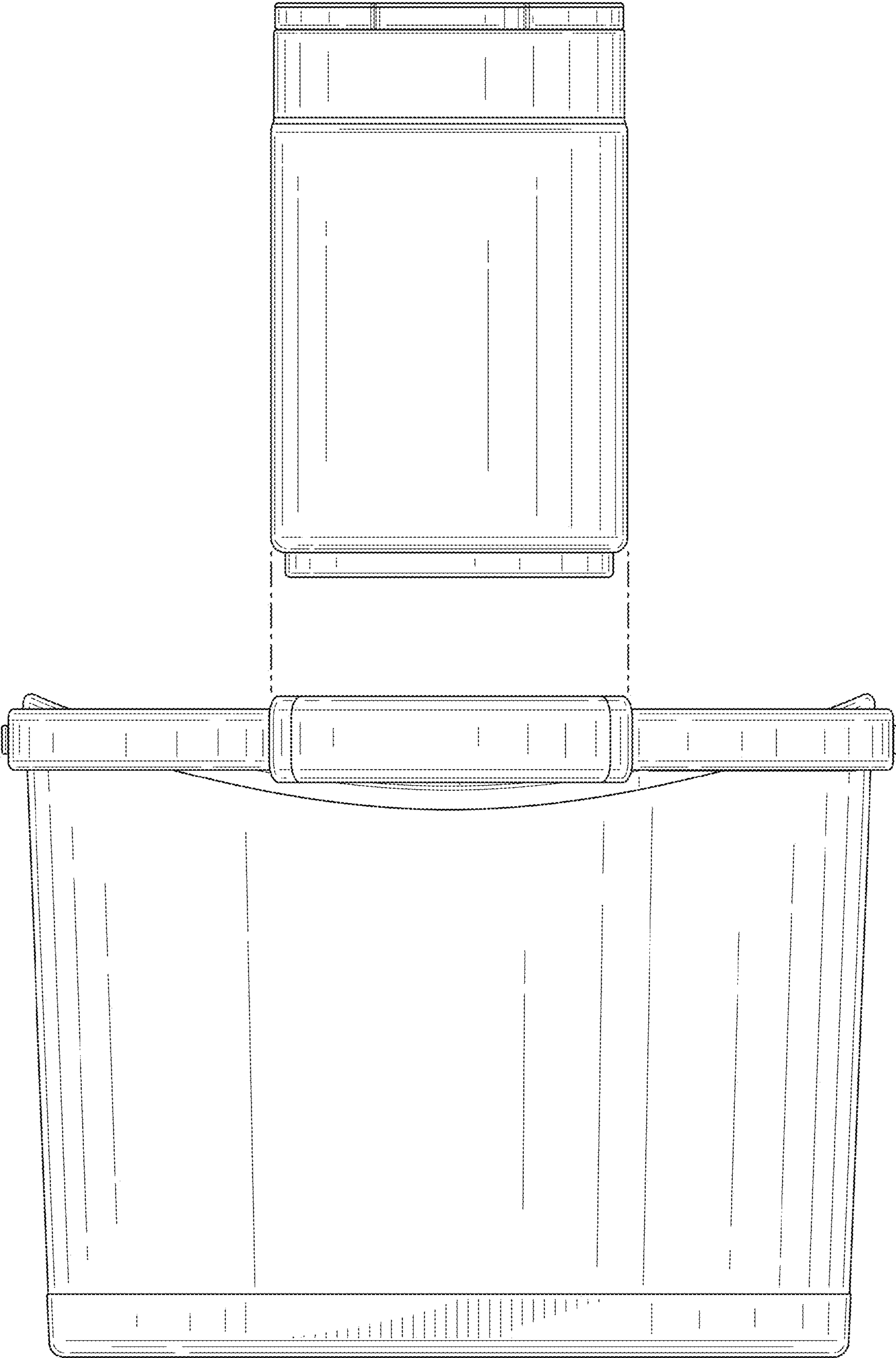


FIG. 20

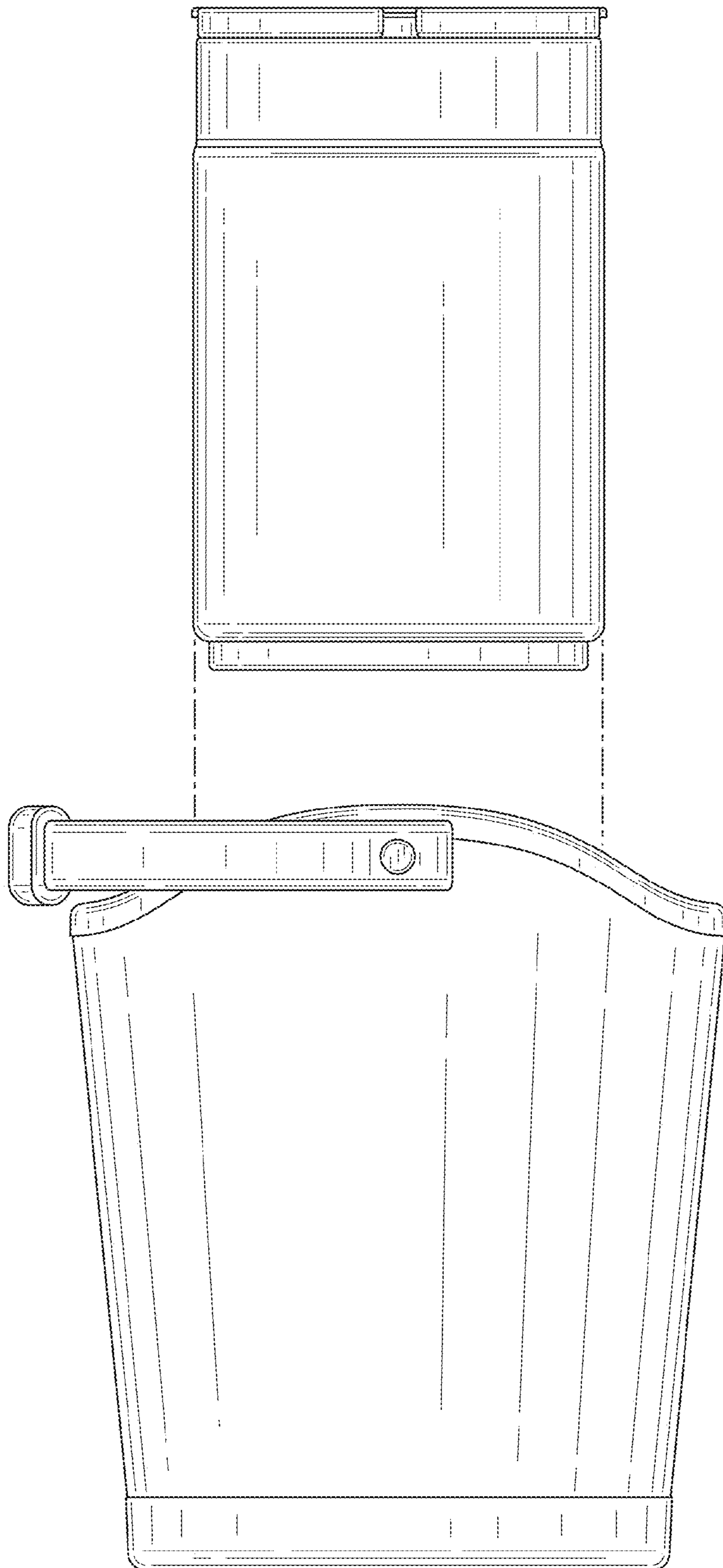


FIG. 21

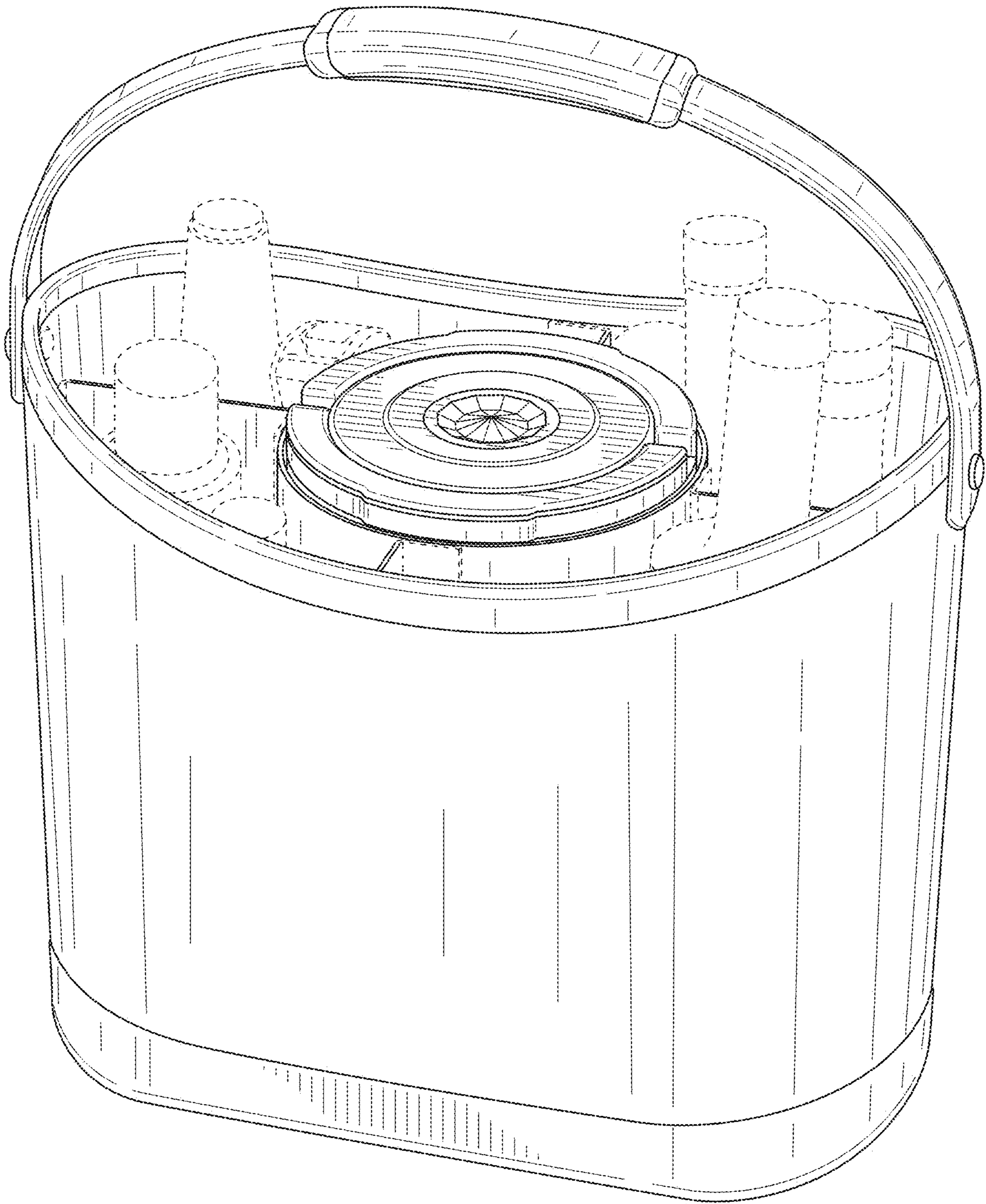


FIG. 22