



US00D986693S

(12) **United States Design Patent**  
**Chen**

(10) **Patent No.:** **US D986,693 S**

(45) **Date of Patent:** **\*\* May 23, 2023**

(54) **BOTTLE RACK**

(71) Applicant: **Yubin Chen**, Shenzhen (CN)

(72) Inventor: **Yubin Chen**, Shenzhen (CN)

(\*\*) Term: **15 Years**

(21) Appl. No.: **29/885,366**

(22) Filed: **Feb. 23, 2023**

(51) **LOC (14) Cl.** ..... **06-04**

(52) **U.S. Cl.**  
USPC ..... **D6/515; D7/703**

(58) **Field of Classification Search**  
USPC ..... D6/514, 515, 517; D7/701-708  
CPC .... A47F 1/087; A47F 1/00; A47F 1/04; A47F  
1/08; A47F 1/12; A47F 1/121; F25D  
25/00; A47B 73/002  
See application file for complete search history.

(56) **References Cited**

**U.S. PATENT DOCUMENTS**

- 2,852,327 A \* 9/1958 Mason ..... A47F 1/087  
D7/703
- D342,420 S \* 12/1993 Ienna ..... D6/517
- 5,396,997 A \* 3/1995 Johnson ..... A47F 1/087  
211/74
- D381,849 S \* 8/1997 Snyder ..... D7/705
- 5,788,117 A \* 8/1998 Zimmanck ..... A47F 1/08  
221/281

- D584,548 S \* 1/2009 Parker ..... D6/515
- D828,145 S \* 9/2018 Le ..... D8/380
- D977,317 S 2/2023 Hong

\* cited by examiner

*Primary Examiner* — Terry A Wallace

(74) *Attorney, Agent, or Firm* — Daniel M. Cohn;  
Howard M. Cohn

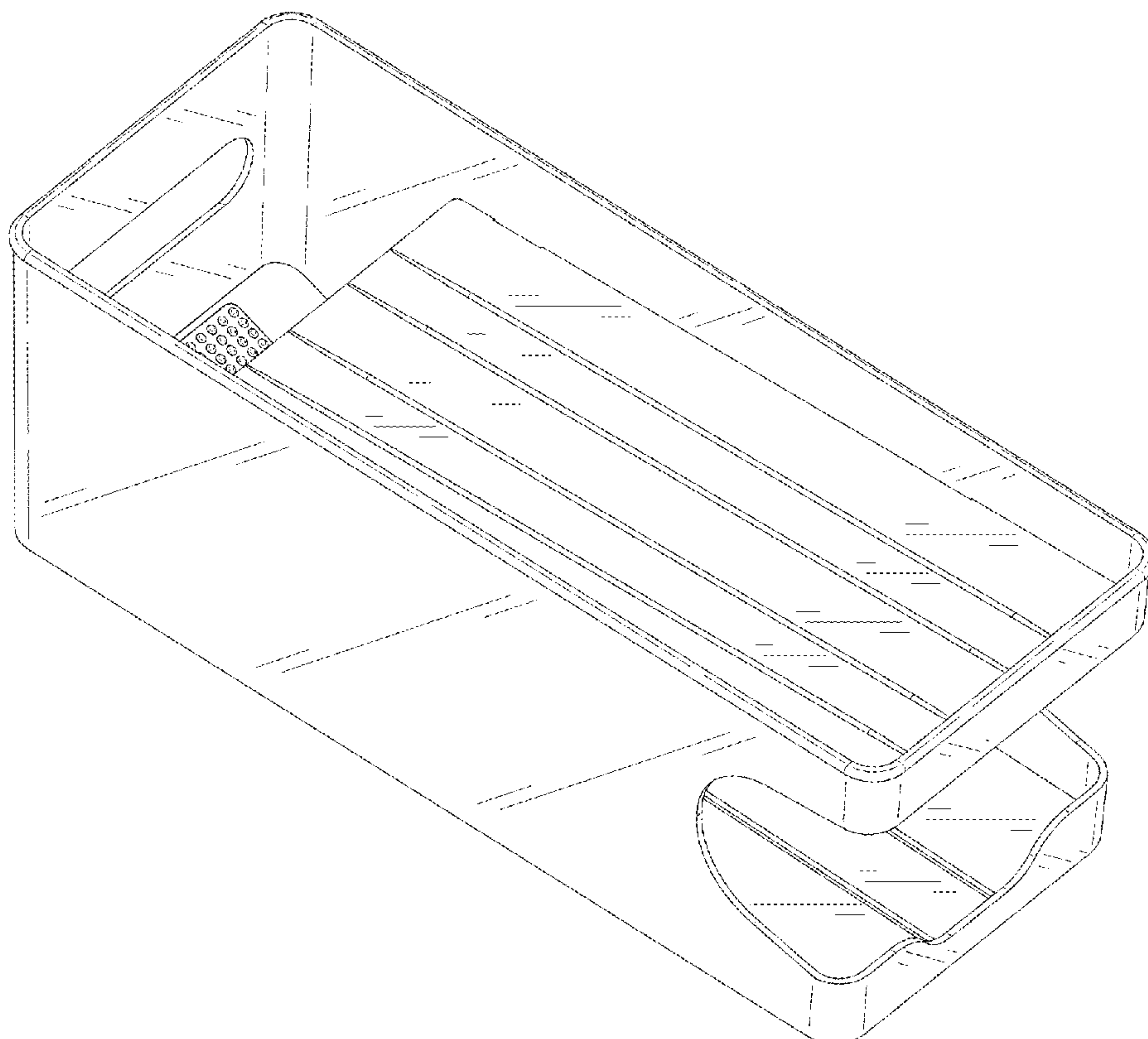
(57) **CLAIM**

The ornamental design for a bottle rack, as shown and described.

**DESCRIPTION**

FIG. 1 is a perspective view of a bottle rack showing my new design;  
 FIG. 2 is another perspective view thereof;  
 FIG. 3 is a front elevational view thereof;  
 FIG. 4 is a rear elevational view thereof;  
 FIG. 5 is a left side elevational view thereof;  
 FIG. 6 is a right side elevational view thereof;  
 FIG. 7 is a top plan view thereof;  
 FIG. 8 is a bottom plan view thereof; and  
 FIG. 9 is an exploded perspective view of the embodiment shown in FIG. 1;  
 FIG. 10 is an exploded perspective view of the embodiment shown in FIG. 2; and,  
 FIG. 11 is an enlarged view of portion 11 shown in FIG. 2. The dot-dash broken lines represent the boundary of the enlarged portion and form no part of the claimed design.

**1 Claim, 11 Drawing Sheets**



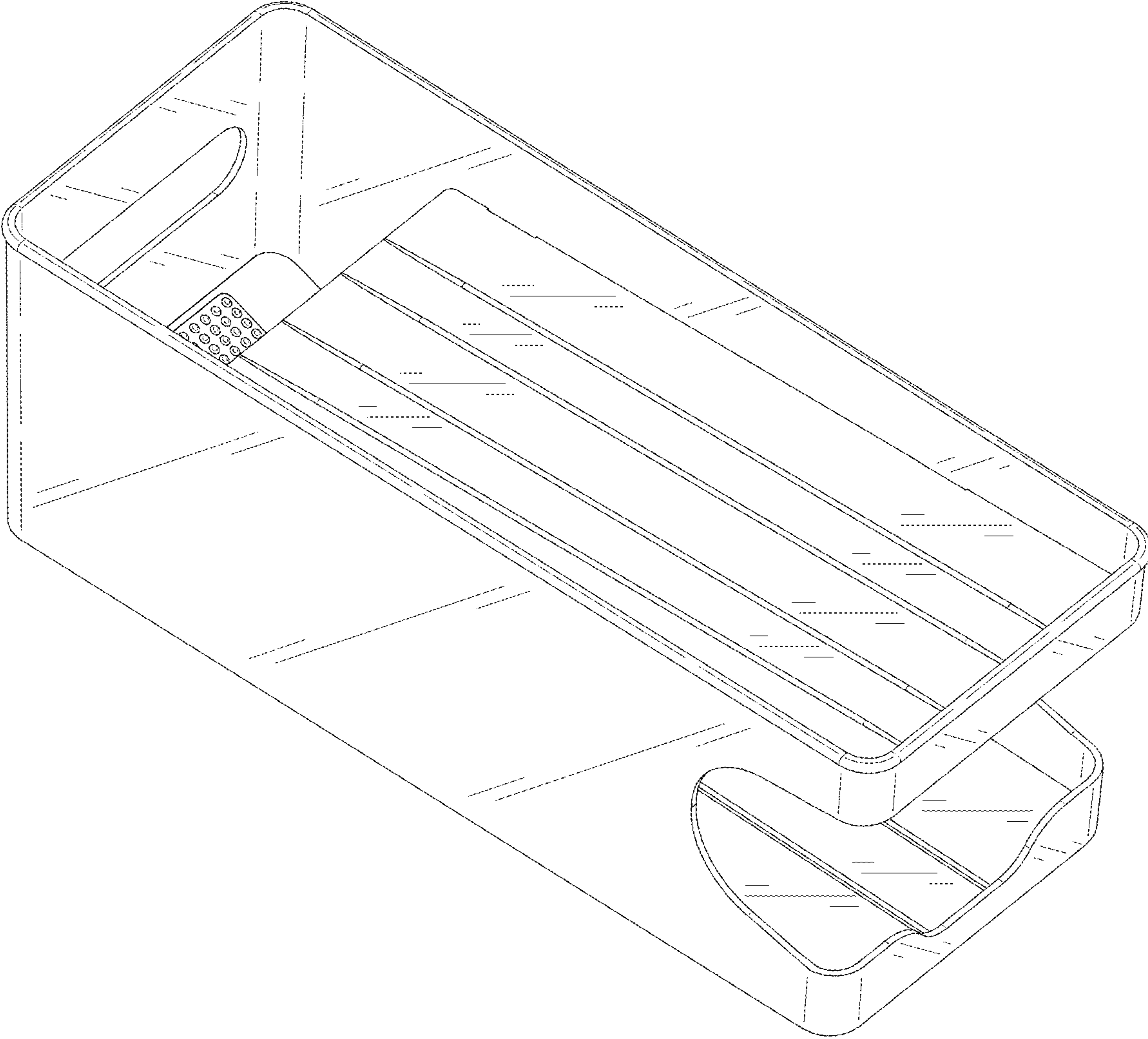


FIG. 1

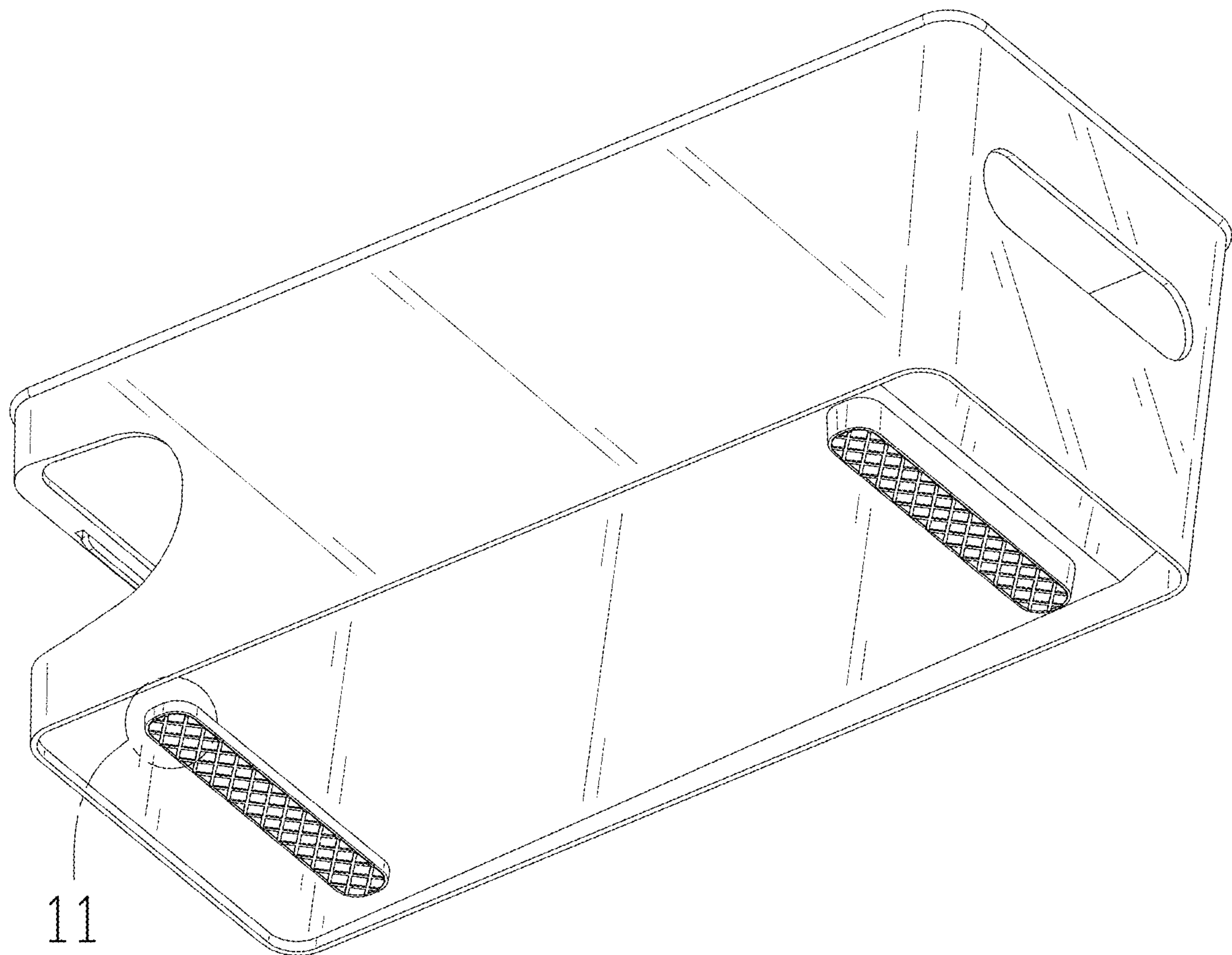


FIG. 2

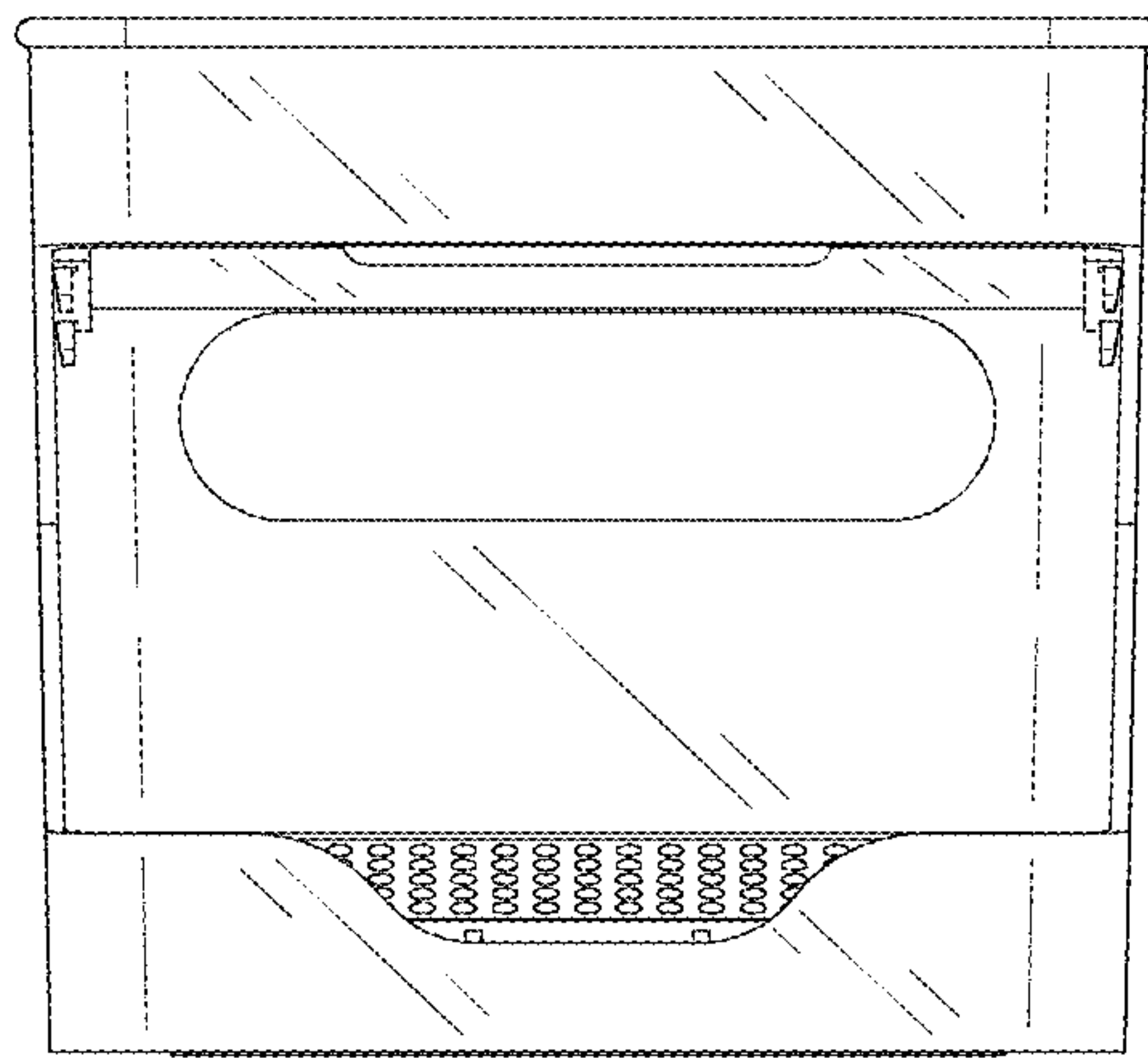


FIG. 3

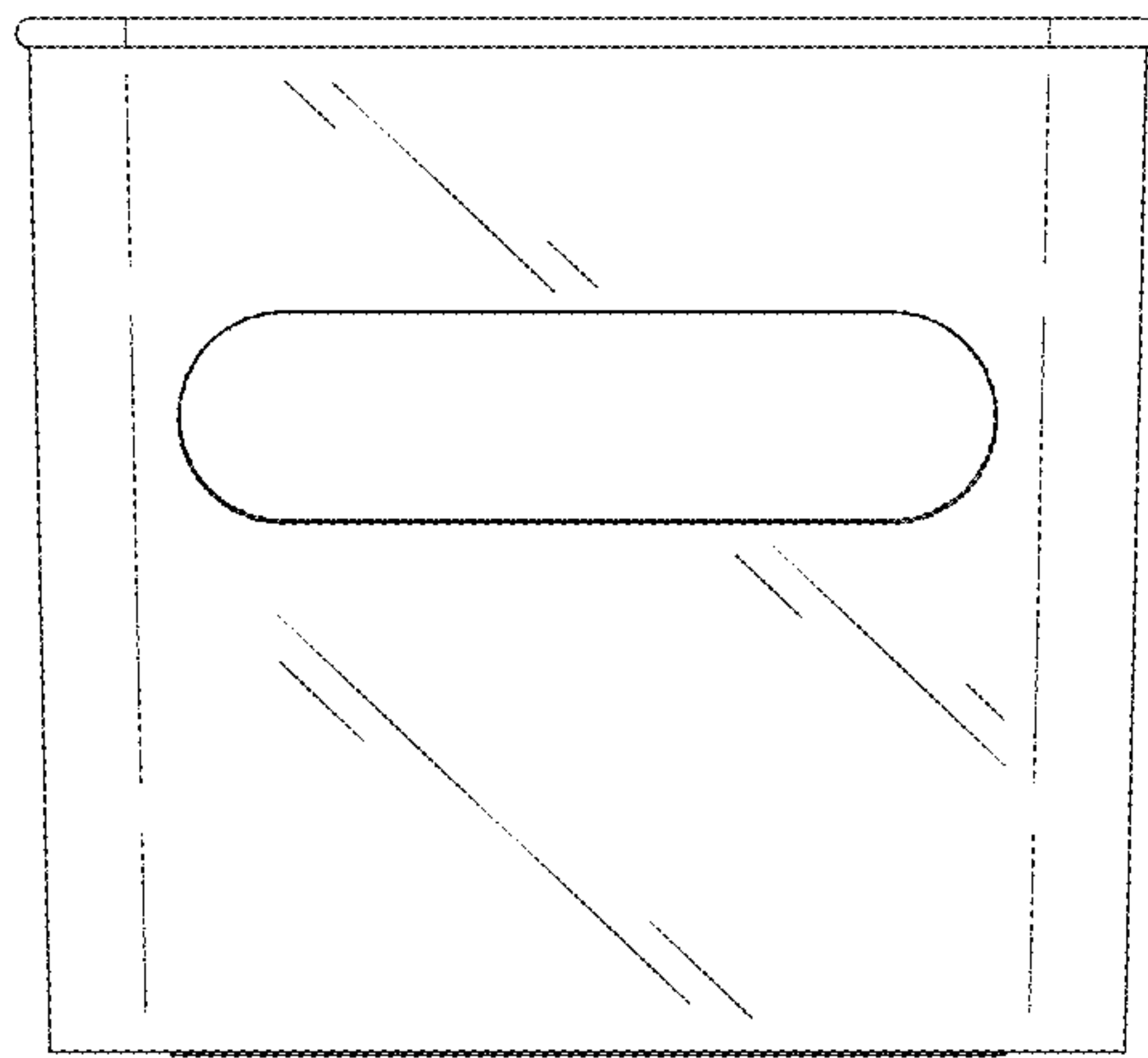


FIG. 4

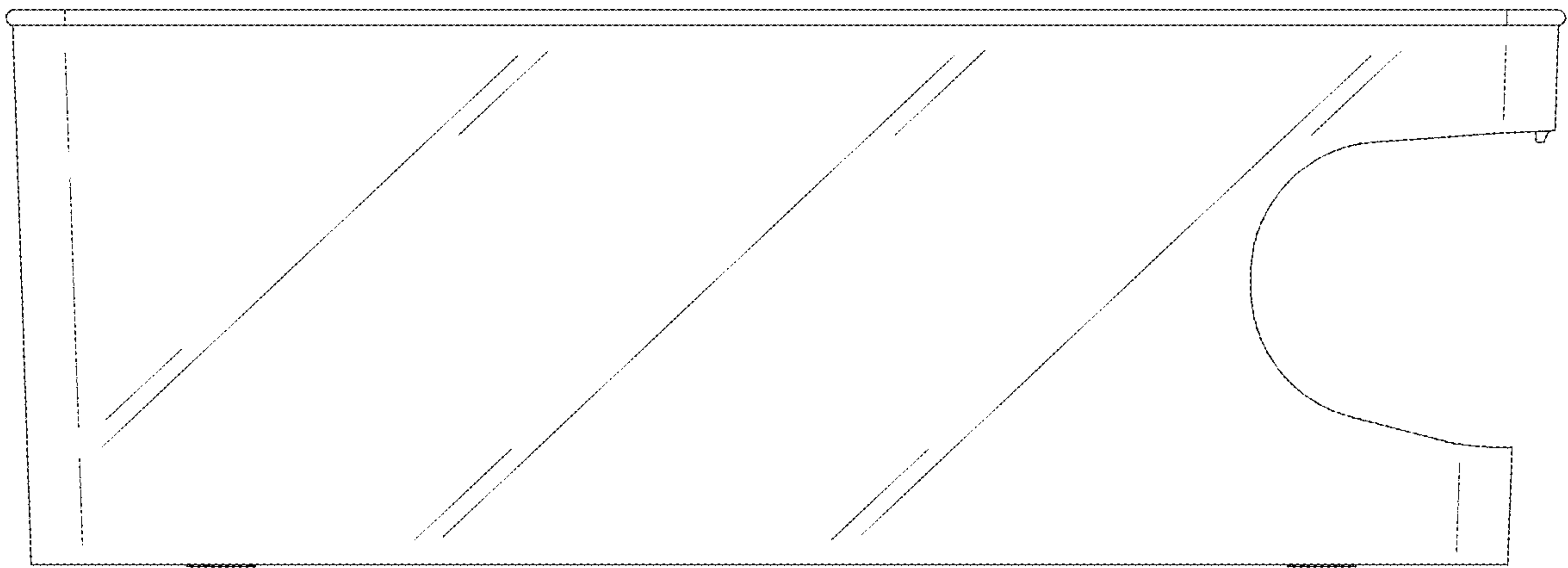


FIG. 5



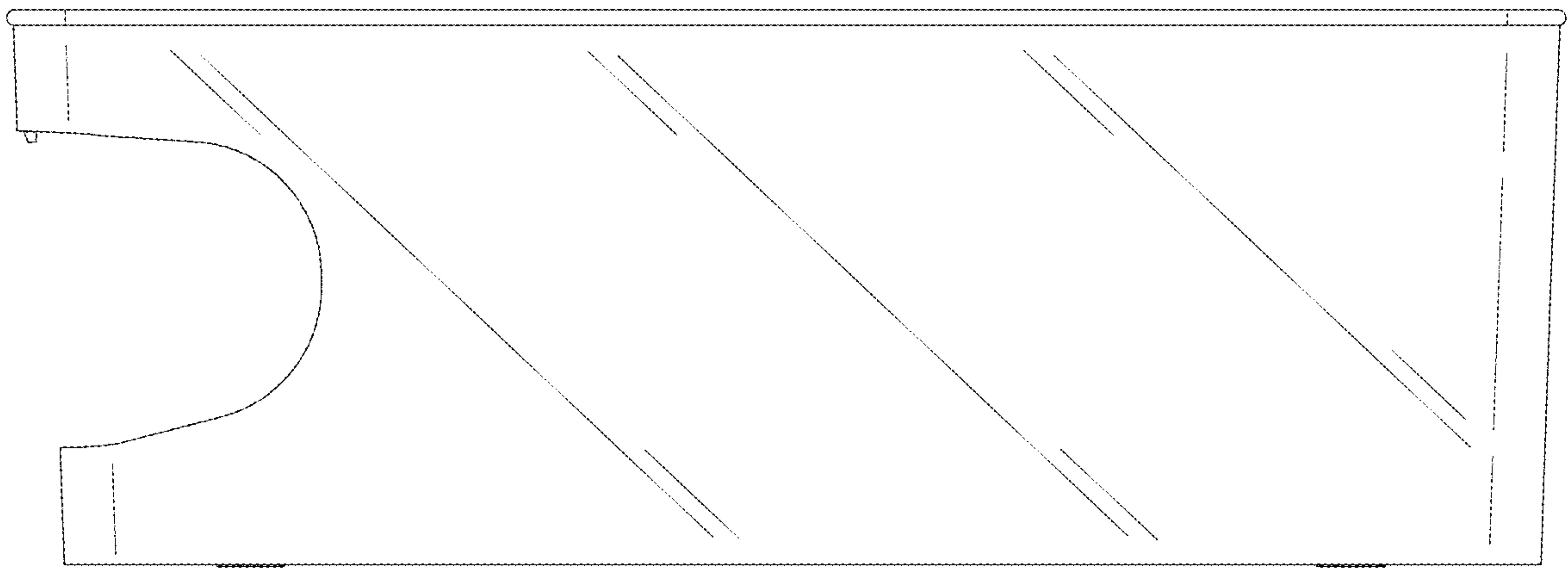


FIG. 6

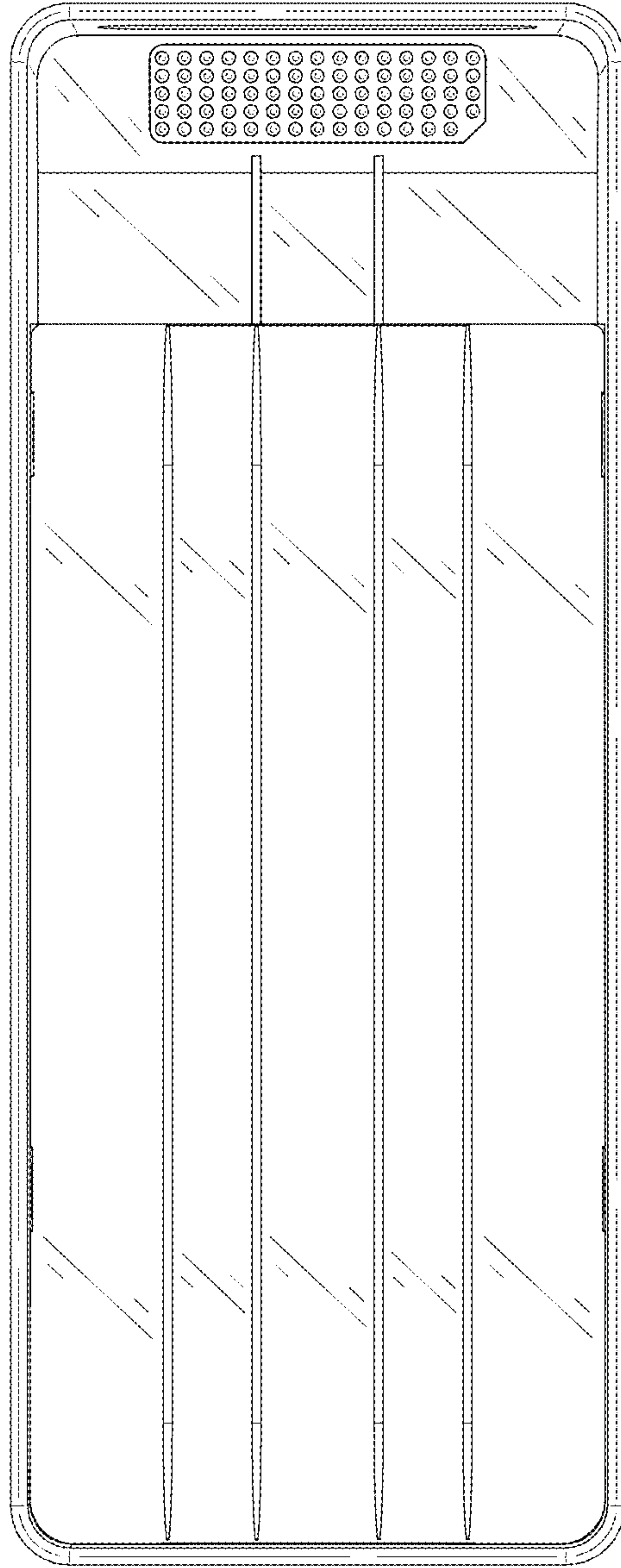


FIG. 7



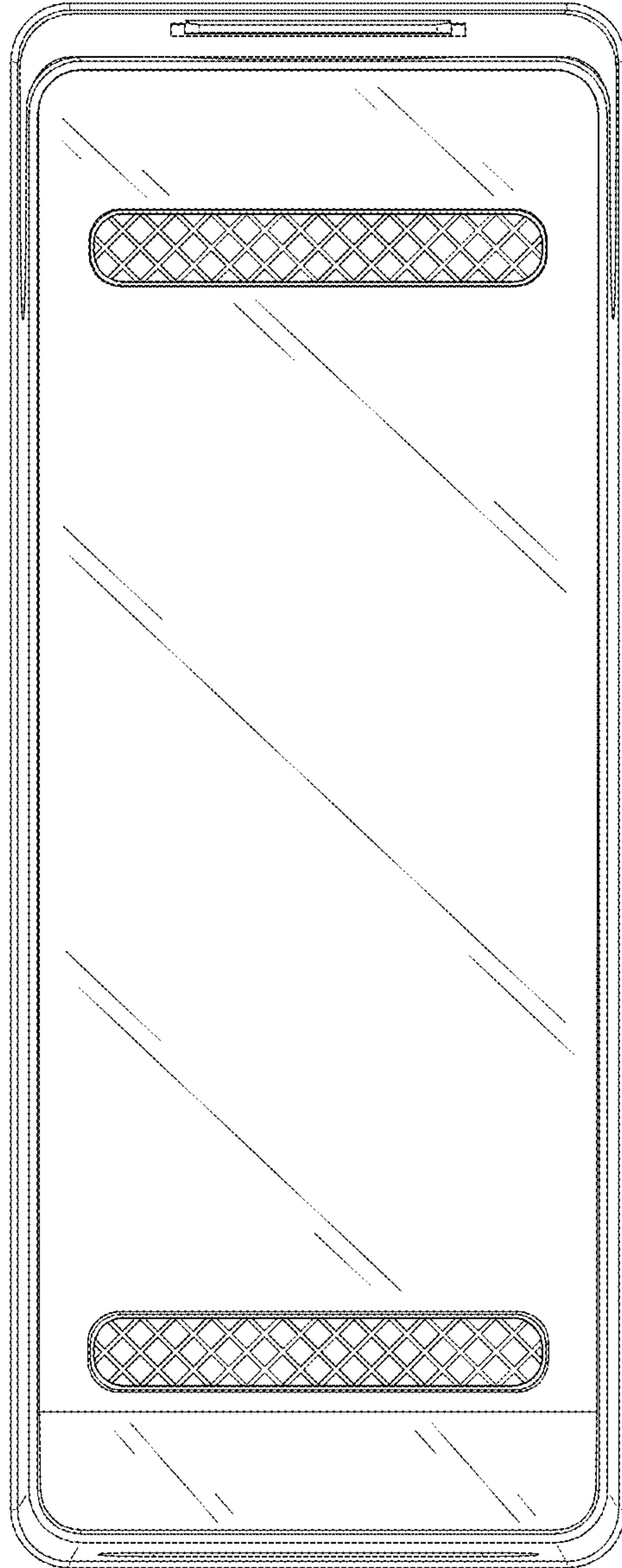


FIG. 8

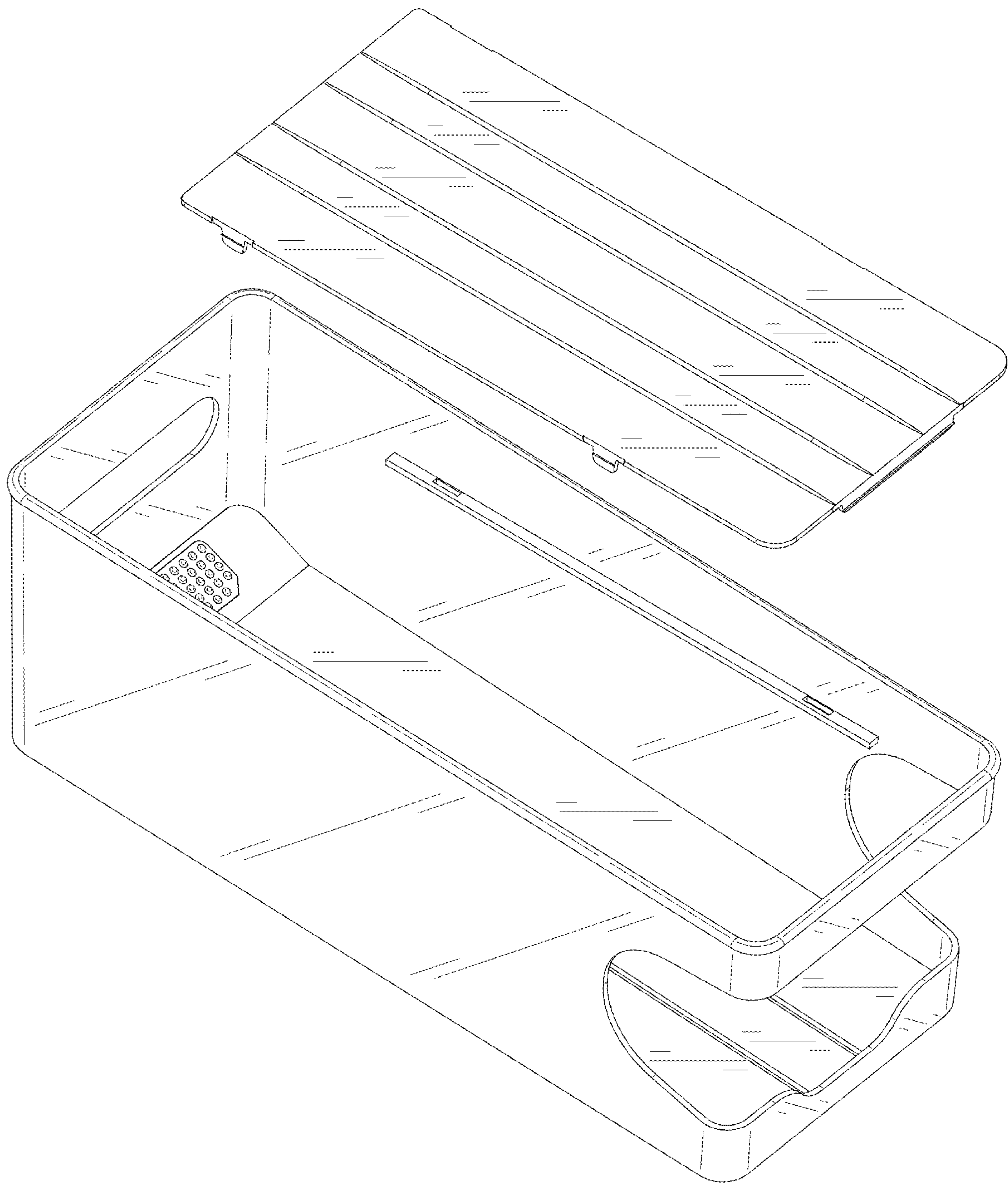


FIG. 9

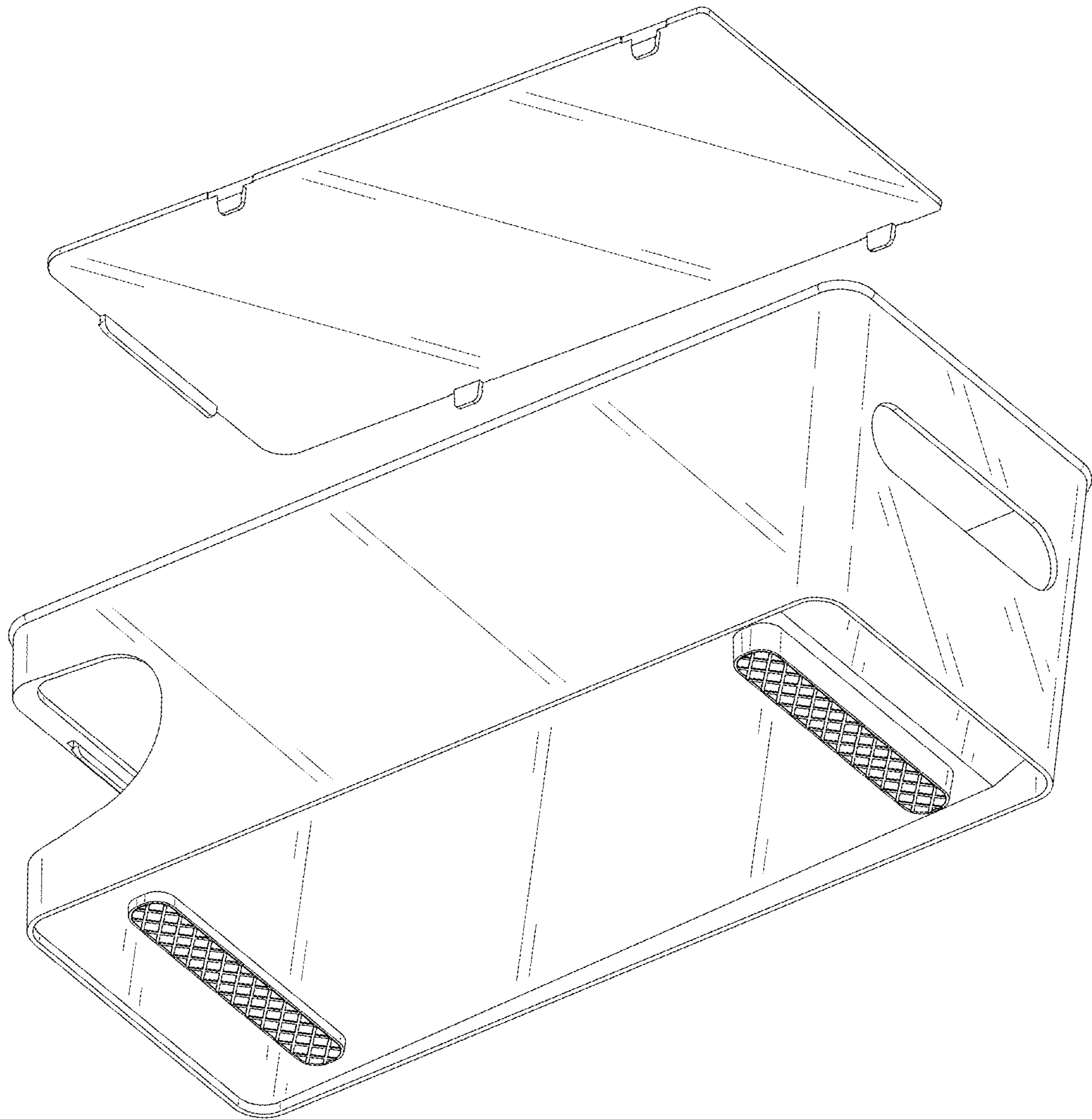


FIG. 10

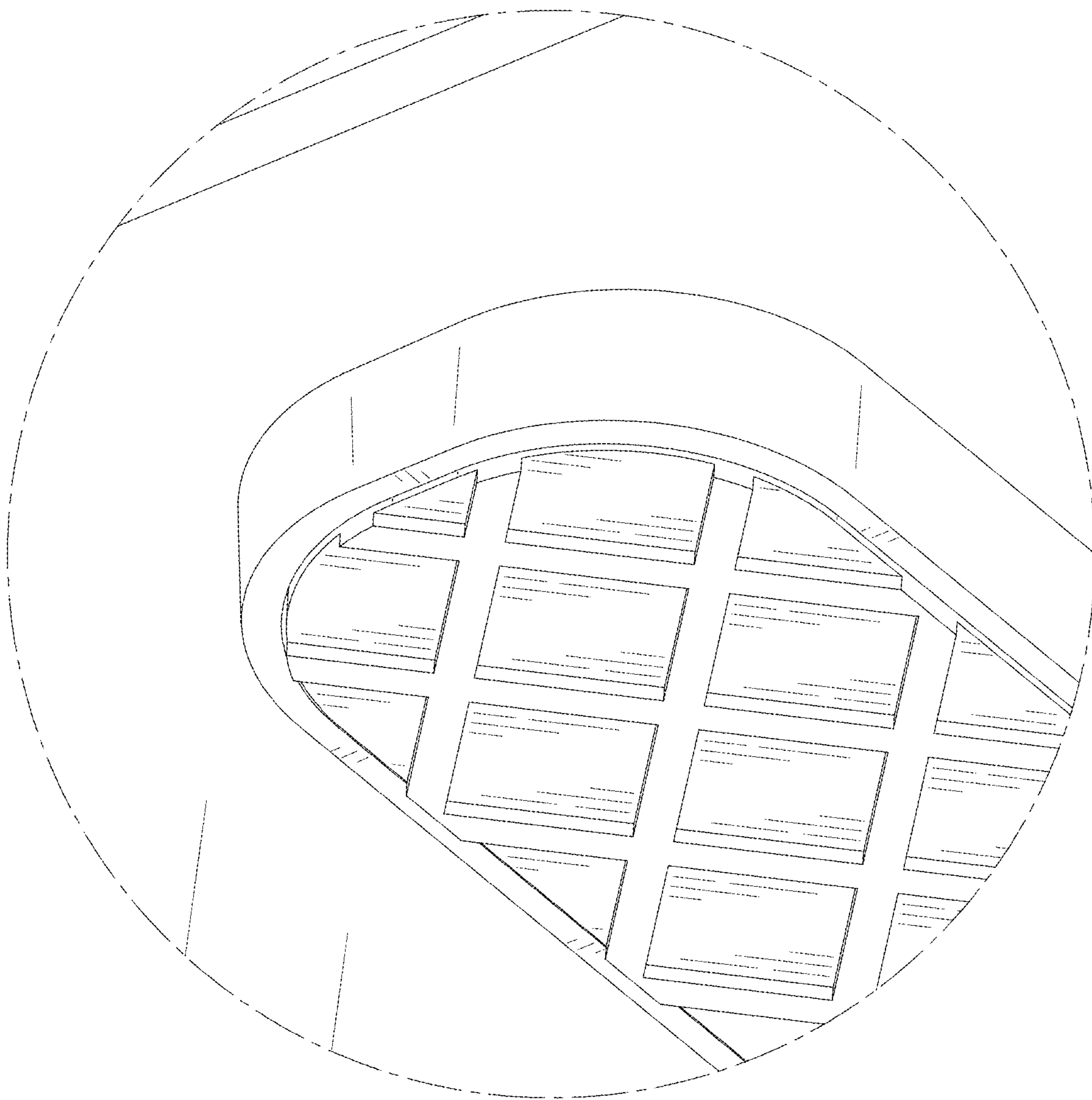


FIG. 11