



US00D986691S

(12) **United States Design Patent**
Yang

(10) **Patent No.:** **US D986,691 S**

(45) **Date of Patent:** **** May 23, 2023**

(54) **DRAWER ORGANIZER**

(71) Applicant: **Shenzhen Xiou Technology Co., Ltd.**,
Shenzhen (CN)

(72) Inventor: **Xipeng Yang**, Shenzhen (CN)

(73) Assignee: **Shenzhen Xiou Technology Co., Ltd.**,
Shenzhen (CN)

(**) Term: **15 Years**

(21) Appl. No.: **29/810,233**

(22) Filed: **Oct. 3, 2021**

(51) **LOC (14) Cl.** **07-07**

(52) **U.S. Cl.**
USPC **D7/637**

(58) **Field of Classification Search**
USPC D3/304, 306, 316; D6/566, 567, 573,
D6/574; D7/631, 637-641; D19/75, 81,
D19/83-86, 90, 92
CPC A47B 88/00; A47G 21/14; A47G 21/16;
A47G 21/184; A47G 23/06; A47G
29/087; A47J 45/02; A47J 47/16; B65D
1/34; B65D 1/36
See application file for complete search history.

(56) **References Cited**

U.S. PATENT DOCUMENTS

D346,402 S * 4/1994 Hassel D19/83
D600,078 S * 9/2009 Wang D7/637

D688,922 S * 9/2013 Batliner D7/637
D830,792 S * 10/2018 Hsu D7/637
D856,092 S * 8/2019 Joseph D7/637
D932,847 S * 10/2021 Joseph D7/637
D944,602 S * 3/2022 Chen D7/637
D969,567 S * 11/2022 Worden, IV D7/637
D970,306 S * 11/2022 Zhou D7/637
D972,893 S * 12/2022 Worden, IV D6/706

* cited by examiner

Primary Examiner — Janice Patyk

(74) *Attorney, Agent, or Firm* — Shen Huang

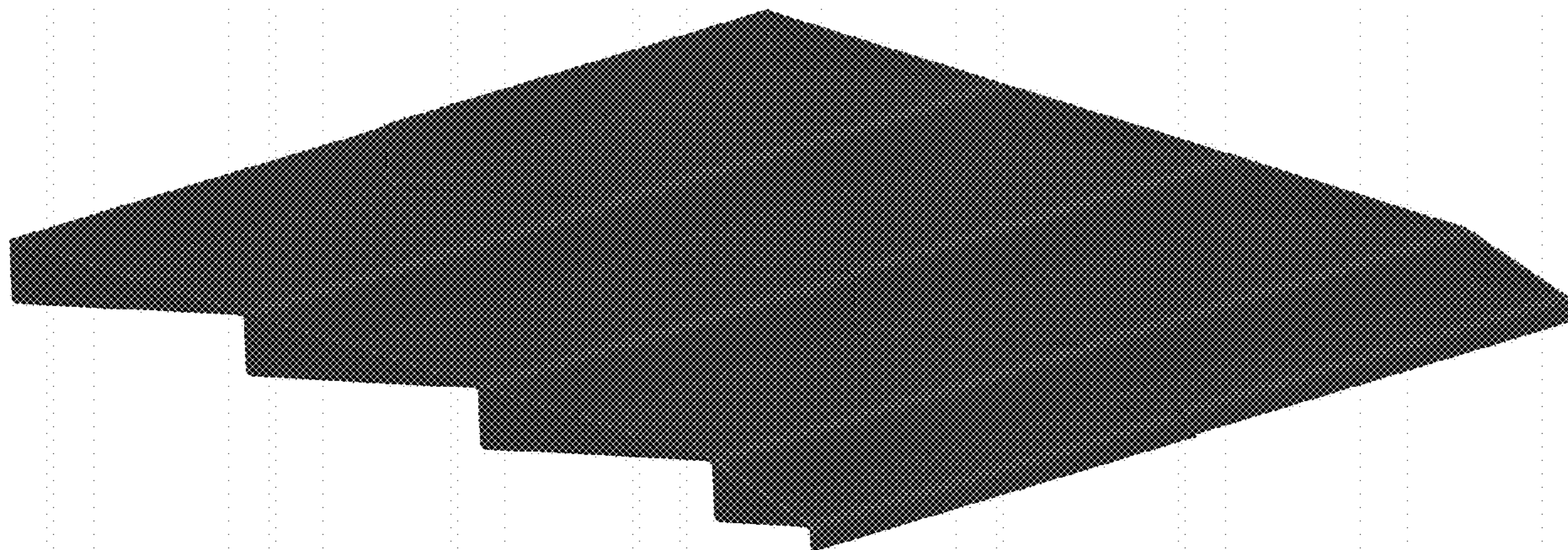
(57) **CLAIM**

The ornamental design for a drawer organizer, as shown and described.

DESCRIPTION

FIG. 1 is a top, front, and left side perspective view of a drawer organizer, showing my new design;
FIG. 2 is top plan view thereof;
FIG. 3 is a bottom plan view thereof;
FIG. 4 is a left side elevation view thereof;
FIG. 5 is a right side elevation view thereof;
FIG. 6 is a front elevation view thereof;
FIG. 7 is a rear elevation view thereof; and,
FIG. 8 is bottom, front, and right side perspective view thereof.

1 Claim, 8 Drawing Sheets



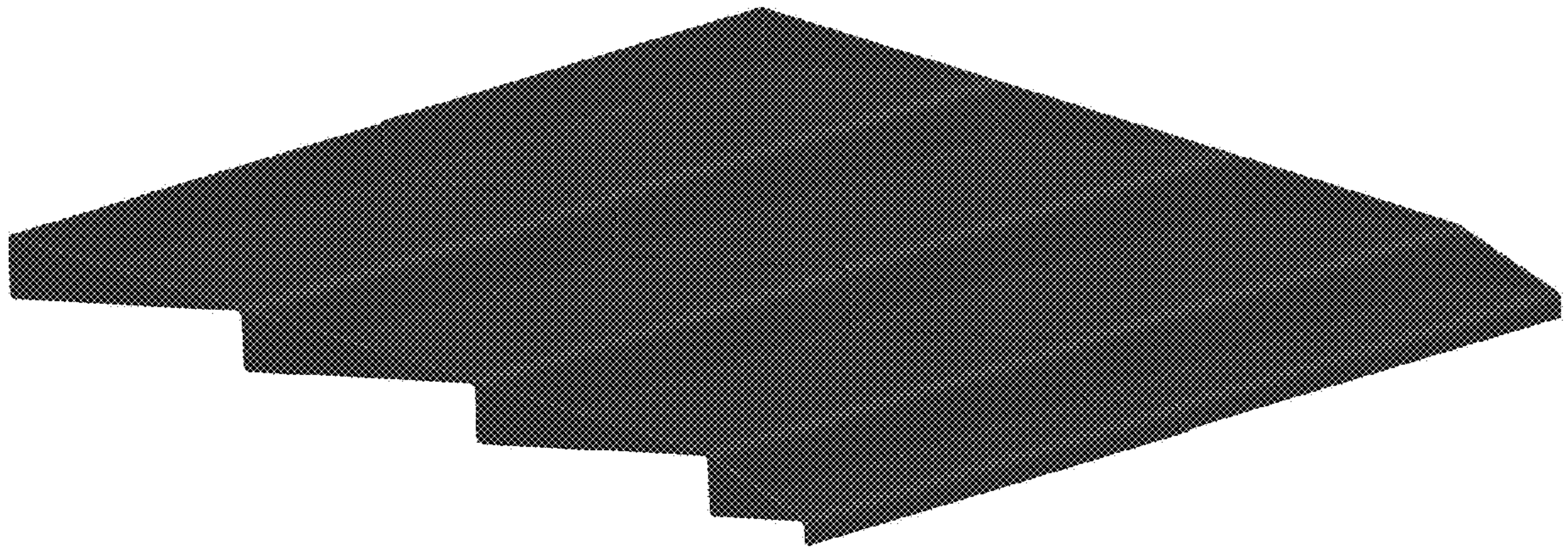


FIG. 1

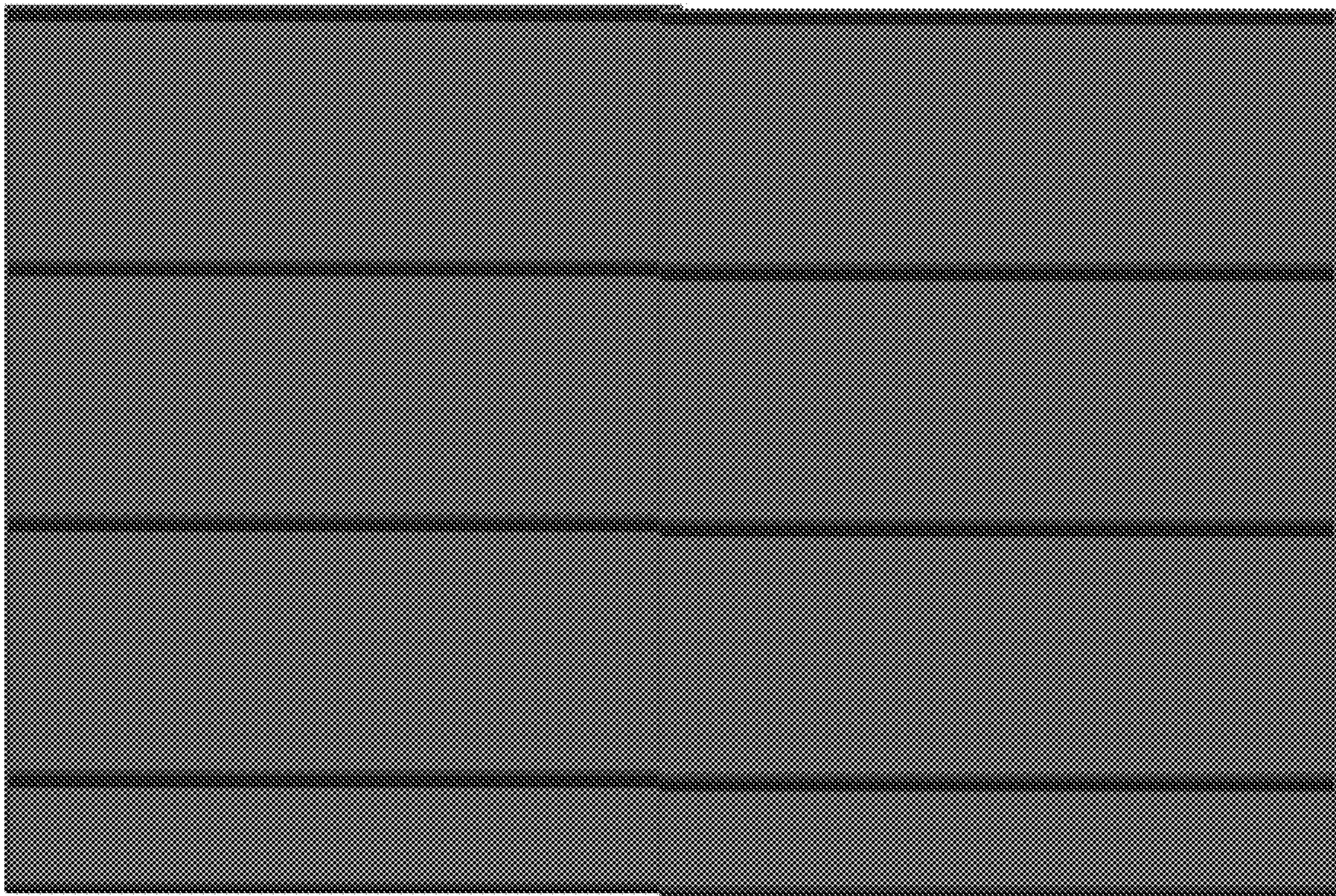


FIG. 2

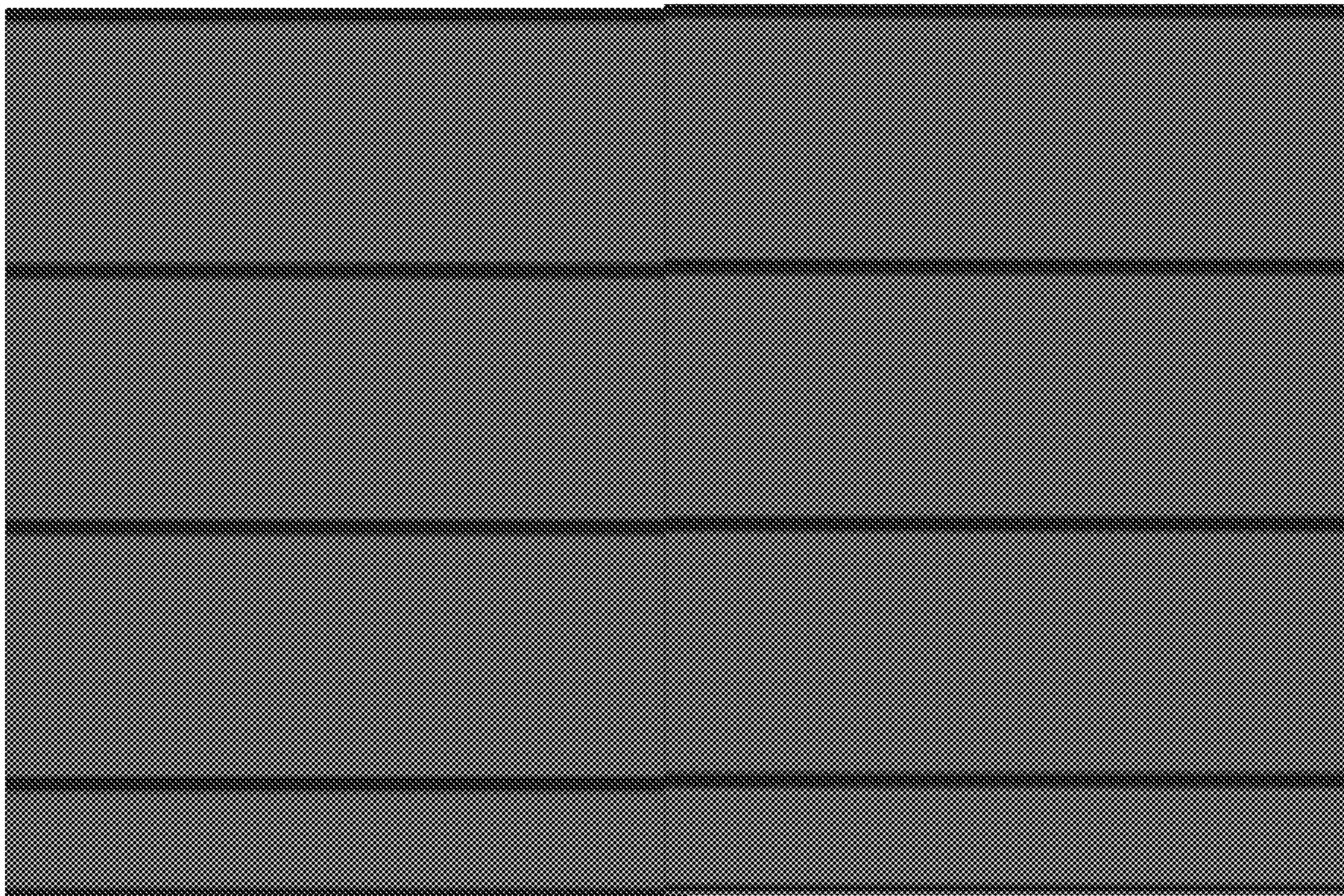


FIG. 3



FIG. 4



FIG. 5

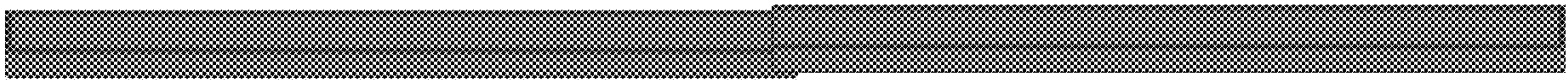


FIG. 6



FIG. 7

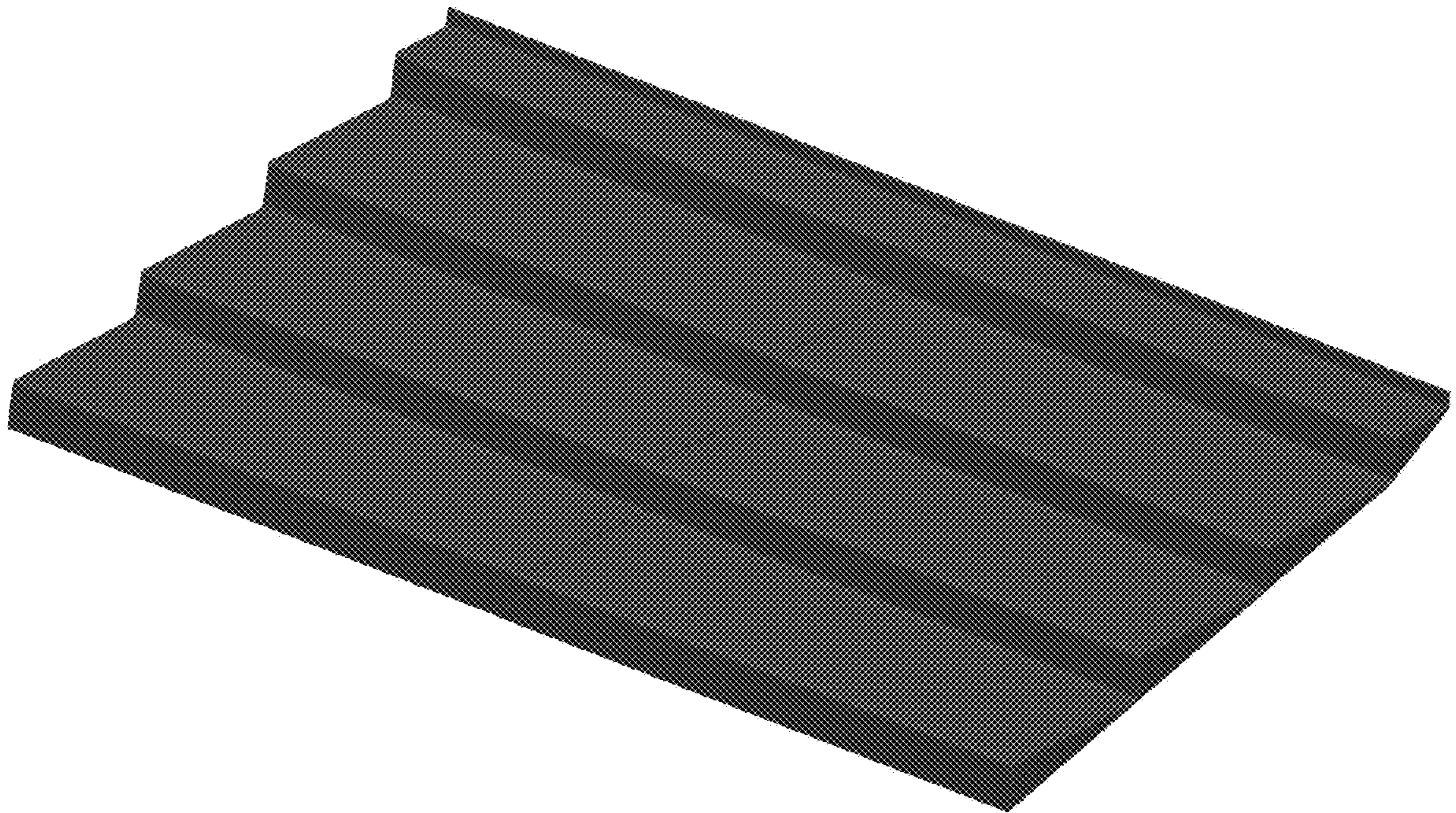


FIG. 8