



US00D986689S

(12) **United States Design Patent** (10) **Patent No.:** **US D986,689 S**
Balle (45) **Date of Patent:** **** May 23, 2023**

(54) **COMBINED FOOD CONTAINER WITH LID**

D582,218 S * 12/2008 Curtin D7/629
D584,110 S * 1/2009 Hauser D7/629
D614,453 S * 4/2010 Curtin D7/629
D620,321 S * 7/2010 Sperrazza D7/629

(71) Applicant: **ARC MANAGEMENT & SERVICES**, Arques (FR)

(Continued)

(72) Inventor: **Gregory Balle**, Arques (FR)

(73) Assignee: **ARC MANAGEMENT & SERVICES**, Arques (FR)

(**) Term: **15 Years**

(21) Appl. No.: **35/513,447**

(22) Filed: **Jul. 27, 2021**

(80) **Hague Agreement Data**

Int. Filing Date: **Jul. 27, 2021**
Int. Reg. No.: **DM/216572**
Int. Reg. Date: **Jul. 27, 2021**
Int. Reg. Pub. Date: **Jan. 28, 2022**

(30) **Foreign Application Priority Data**

Jan. 27, 2021 (EM) 008415061

(51) **LOC (14) Cl.** **09-07**

(52) **U.S. Cl.**
USPC **D7/629**

(58) **Field of Classification Search**
USPC D7/509, 523, 511, 601, 602, 605, 612,
D7/615, 629, 387, 396.1, 396.2, 397;
D9/738, 772-780, 516, 549, 558, 559,
D9/434, 435; D28/4, 73, 82; D3/201
CPC .. A47J 41/00; A47J 41/02; B65D 1/10; B65D
21/00; B65D 41/04; B65D 43/02
See application file for complete search history.

(56) **References Cited**

U.S. PATENT DOCUMENTS

D332,897 S * 2/1993 Bucher D7/629
D381,268 S * 7/1997 Rush D9/452
D543,077 S * 5/2007 Kim D7/629

OTHER PUBLICATIONS

Toyo Sasaki Glass | posted at Amazon.com, comment posted on Aug. 8, 2018, © 1996-2023 Amazon.com, [online], [site visited Feb. 11, 2023]. Available from Internet, <URL:https://www.amazon.com/%E3%80%90Dishwasher-available%E3%80%91Stack-Tumbler-pieces-set/dp/B00FOITY1O/> (Year: 2018).*

(Continued)

Primary Examiner — Andrew Kerr

(74) *Attorney, Agent, or Firm* — Cantor Colburn LLP

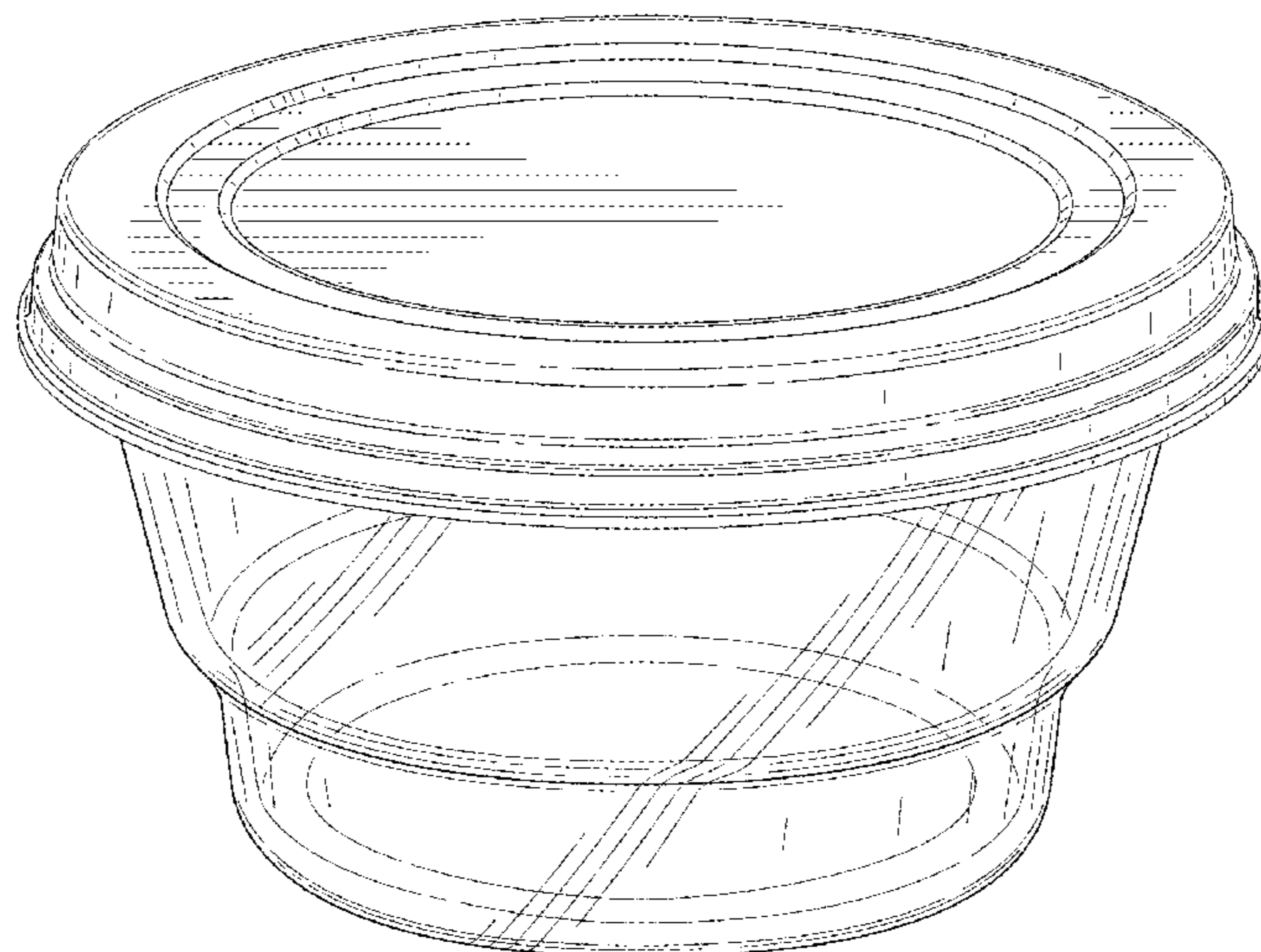
(57) **CLAIM**

The ornamental design for a combined food container with lid, as shown and described.

DESCRIPTION

1.1 : is a front view of a combined food container with lid, showing my new design;
1.2 : is a front view thereof with the lid removed to show aspects of the design that are not visible when combined;
1.3 : is a top view thereof;
1.4 : is a perspective view thereof
1.5 : is a perspective view of the combined food container with lid of **1.1**
2.1 : is a perspective view of a second embodiment of a combined food container with lid, showing my new design;
2.2: is a perspective view thereof with the lid removed to show aspects of the design that are not visible when combined;
2.3 : is a front view of the combined food container with lid of **2.1**;
2.4 : is a top view thereof; and
2.5 : is a front view thereof with the lid removed to show aspects of the design that are not visible when combined.

1 Claim, 10 Drawing Sheets



(56)

References Cited

U.S. PATENT DOCUMENTS

D621,667 S * 8/2010 Ablo D7/629
D660,656 S * 5/2012 Gilbert D7/629
D674,666 S * 1/2013 Pal D7/629
D676,284 S * 2/2013 Pal D7/629
D723,340 S * 3/2015 Maxwell D7/629
9,801,488 B2 * 10/2017 Affatato A47J 27/04
D840,760 S * 2/2019 Carrette D7/602
D955,186 S * 6/2022 Pentelovitch D7/629
D976,103 S * 1/2023 Zhang D7/602

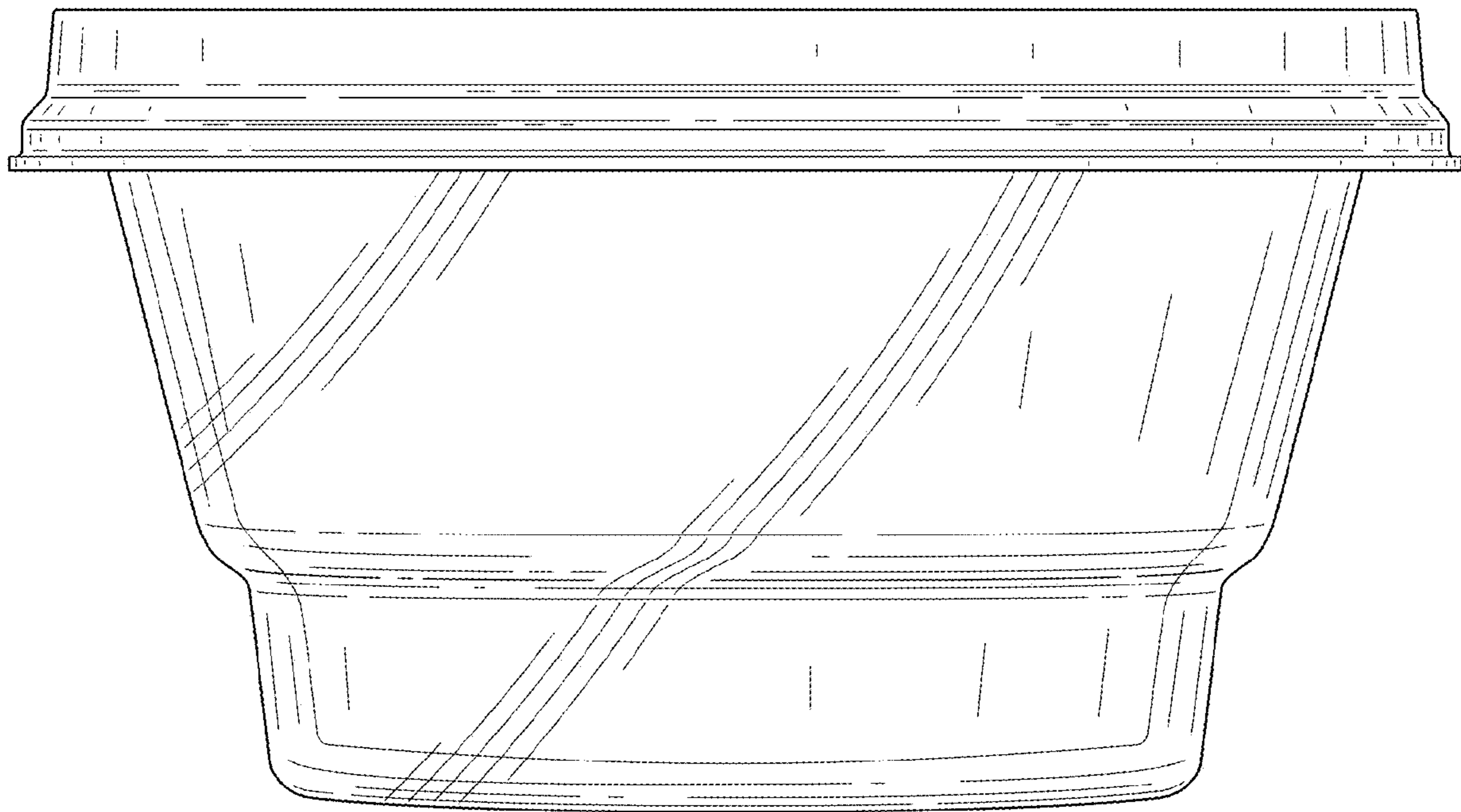
OTHER PUBLICATIONS

Pyrex 6 ounce custard cups | posted at Amazon.com, comment posted on Feb. 26, 2013, © 1996-2023 Amazon.com, [online], [site visited Feb. 11, 2023]. Available from Internet, <URL:https://www.amazon.com/Pyrex-6-Ounce-Custard-Cups-Set/dp/B0000CF3UK/> (Year: 2013).*

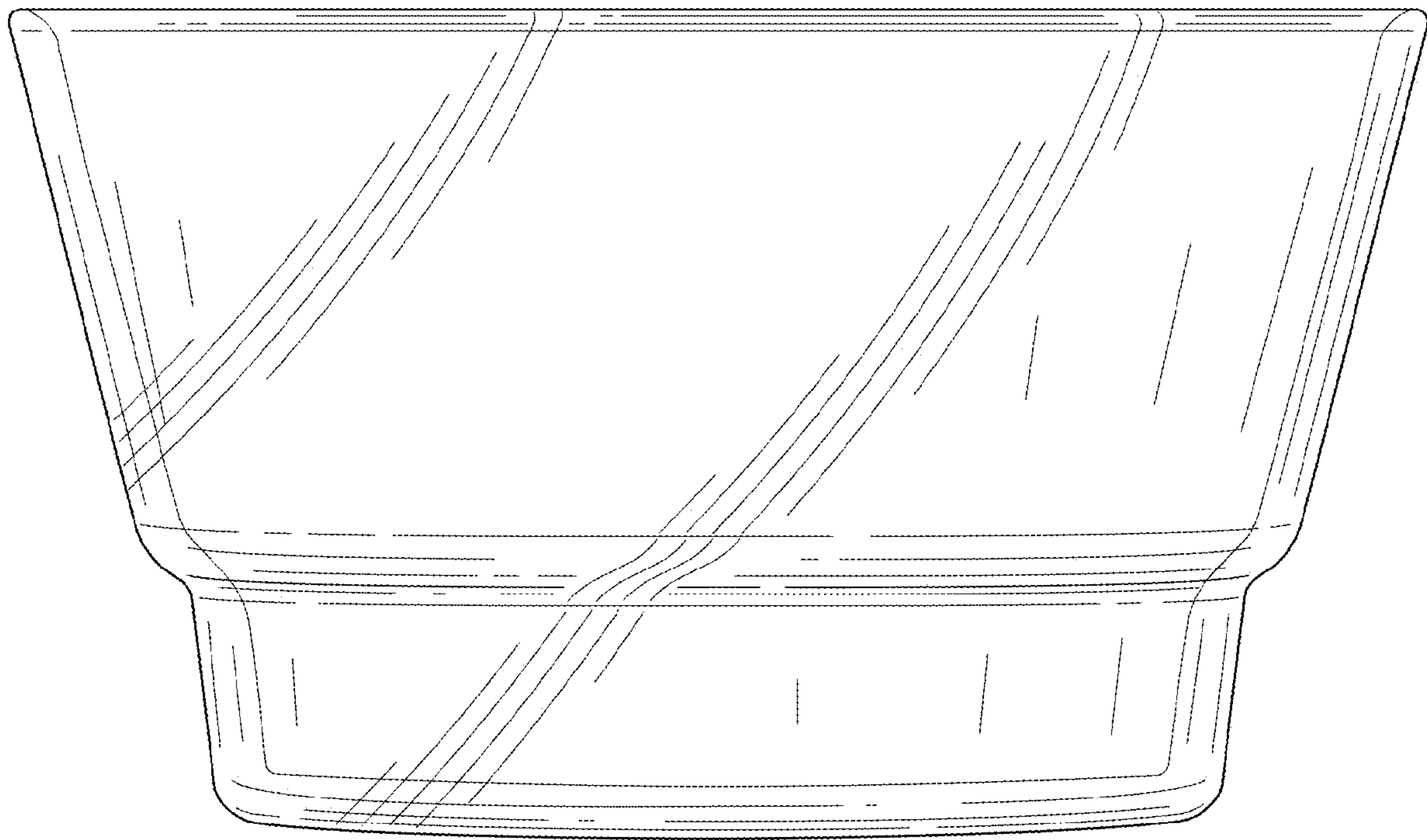
Pyrex 7201 glass bowls | posted at Amazon.com, posted on Feb. 26, 2013, © 1996-2023 Amazon.com, [online], [site visited Feb. 11, 2023]. Available from Internet, <URL:https://www.amazon.com/Pyrex-6-Ounce-Custard-Cups-Set/dp/B0000CF3UK/> (Year: 2016).*

Anchor Hocking Custard cups | posted at Amazon.com, posted on Feb. 11, 2016, © 1996-2023 Amazon.com, [online], [site visited Feb. 11, 2023]. Available from Internet, <URL:https://www.amazon.com/Pyrex-6-Ounce-Custard-Cups-Set/dp/B0000CF3UK/> (Year: 2016).*

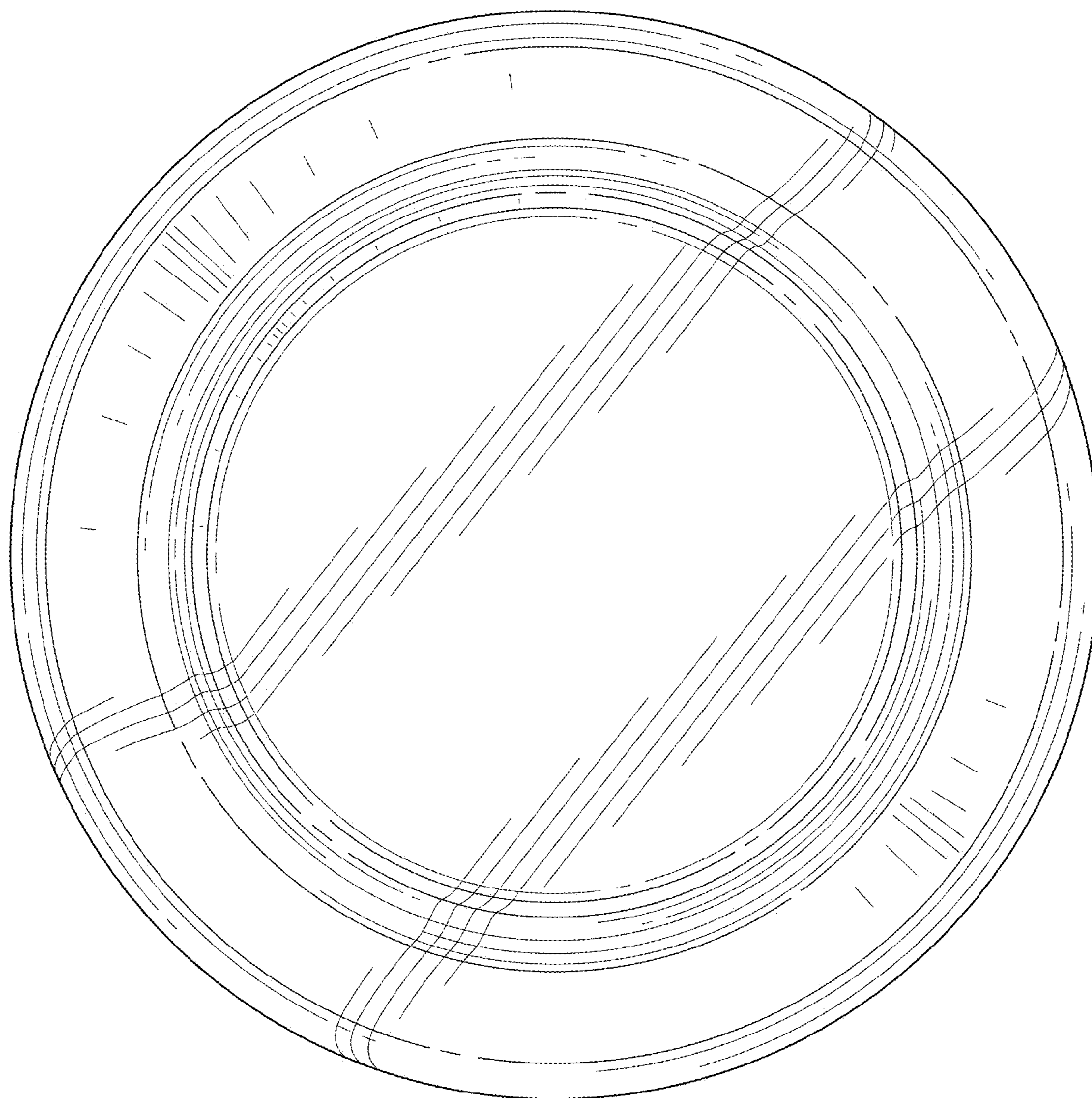
* cited by examiner



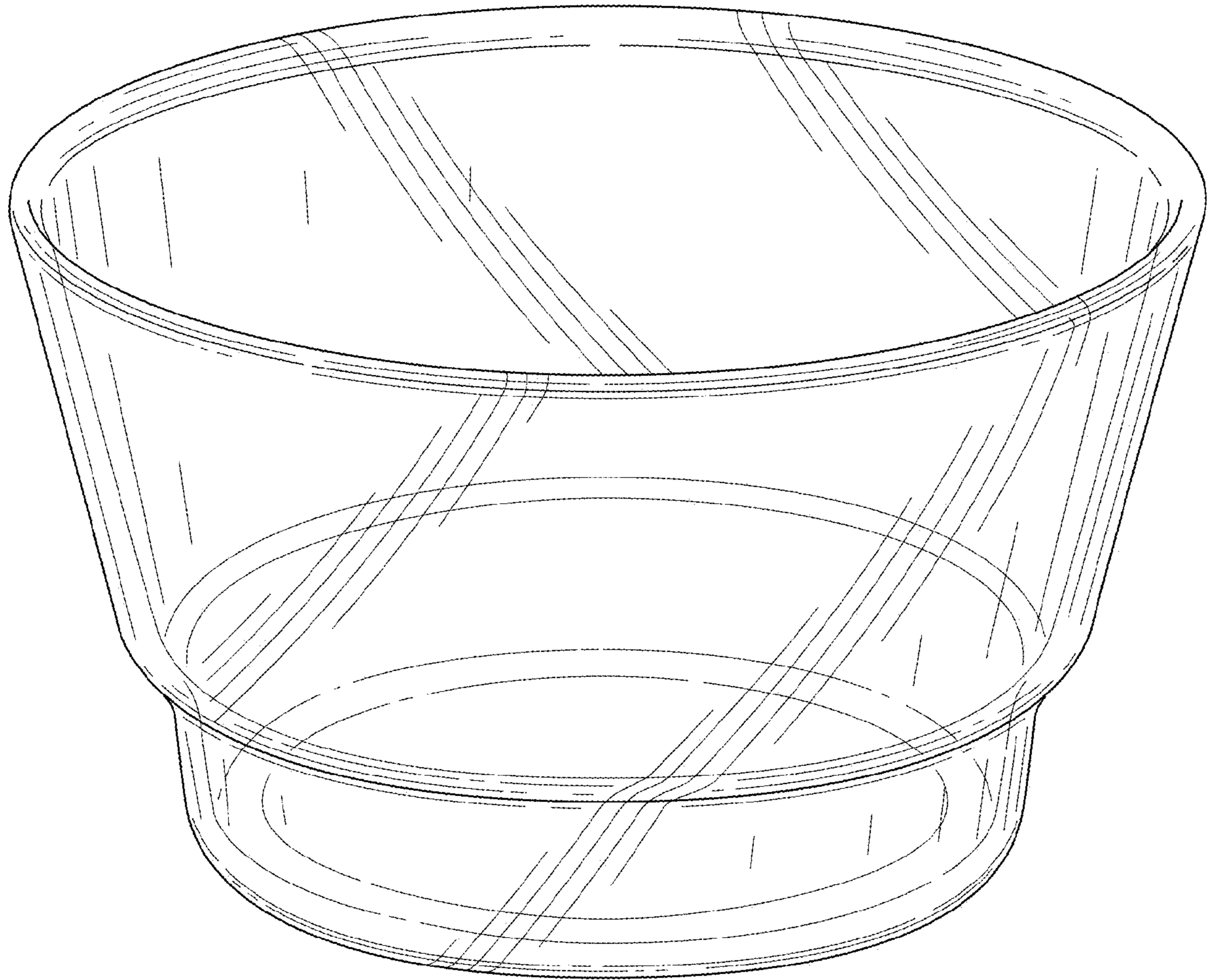
1.1



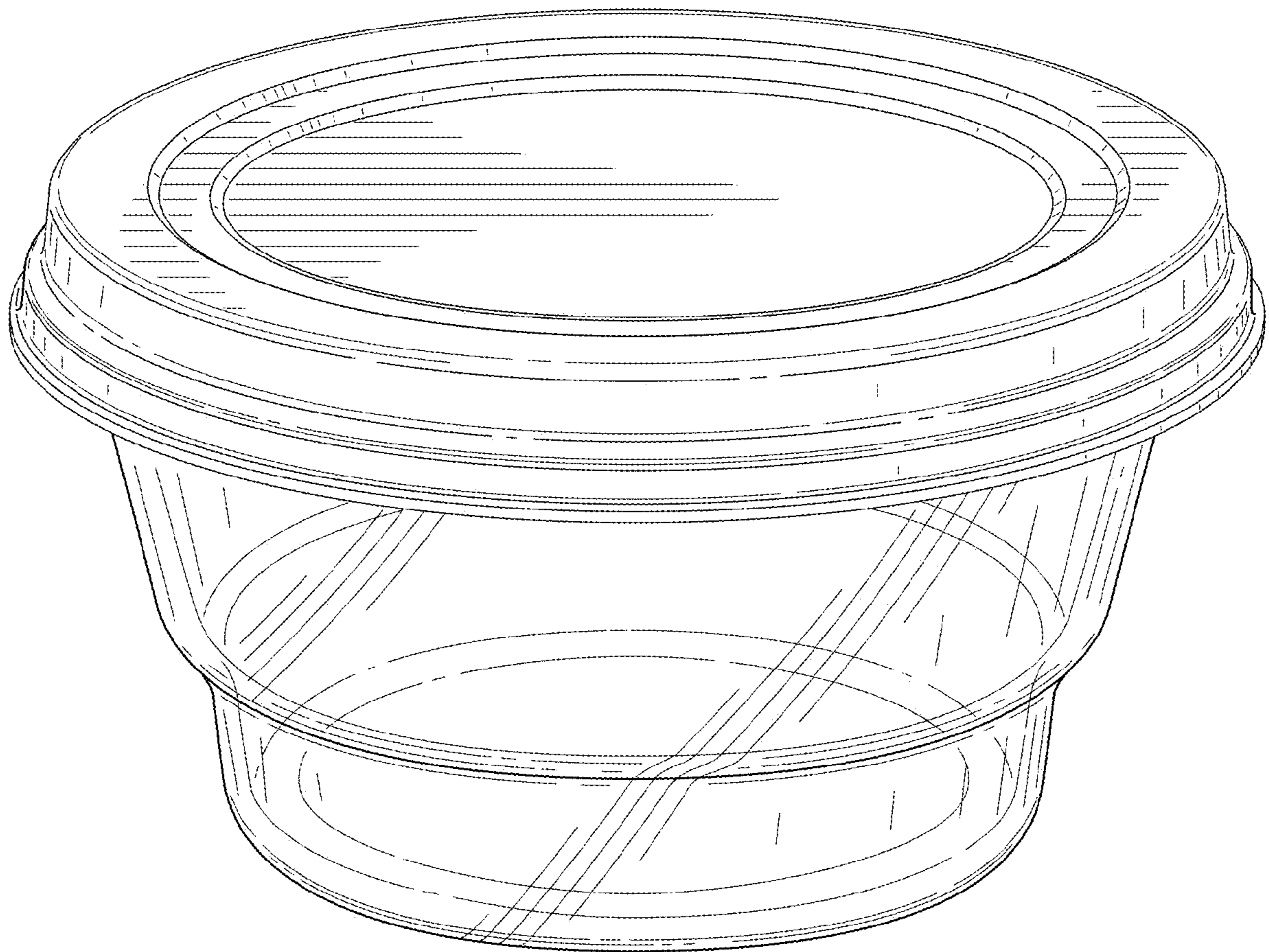
1.2



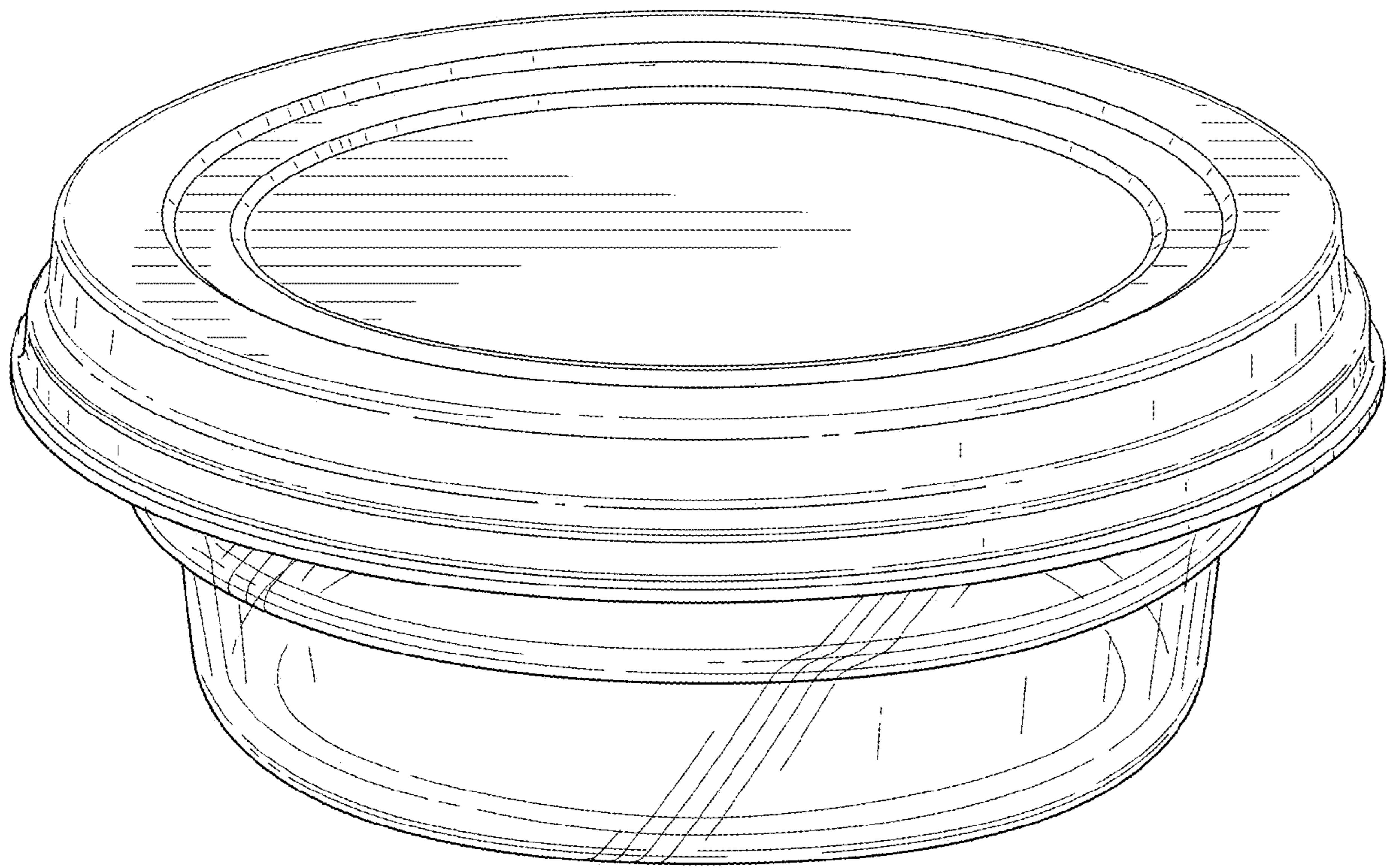
1.3



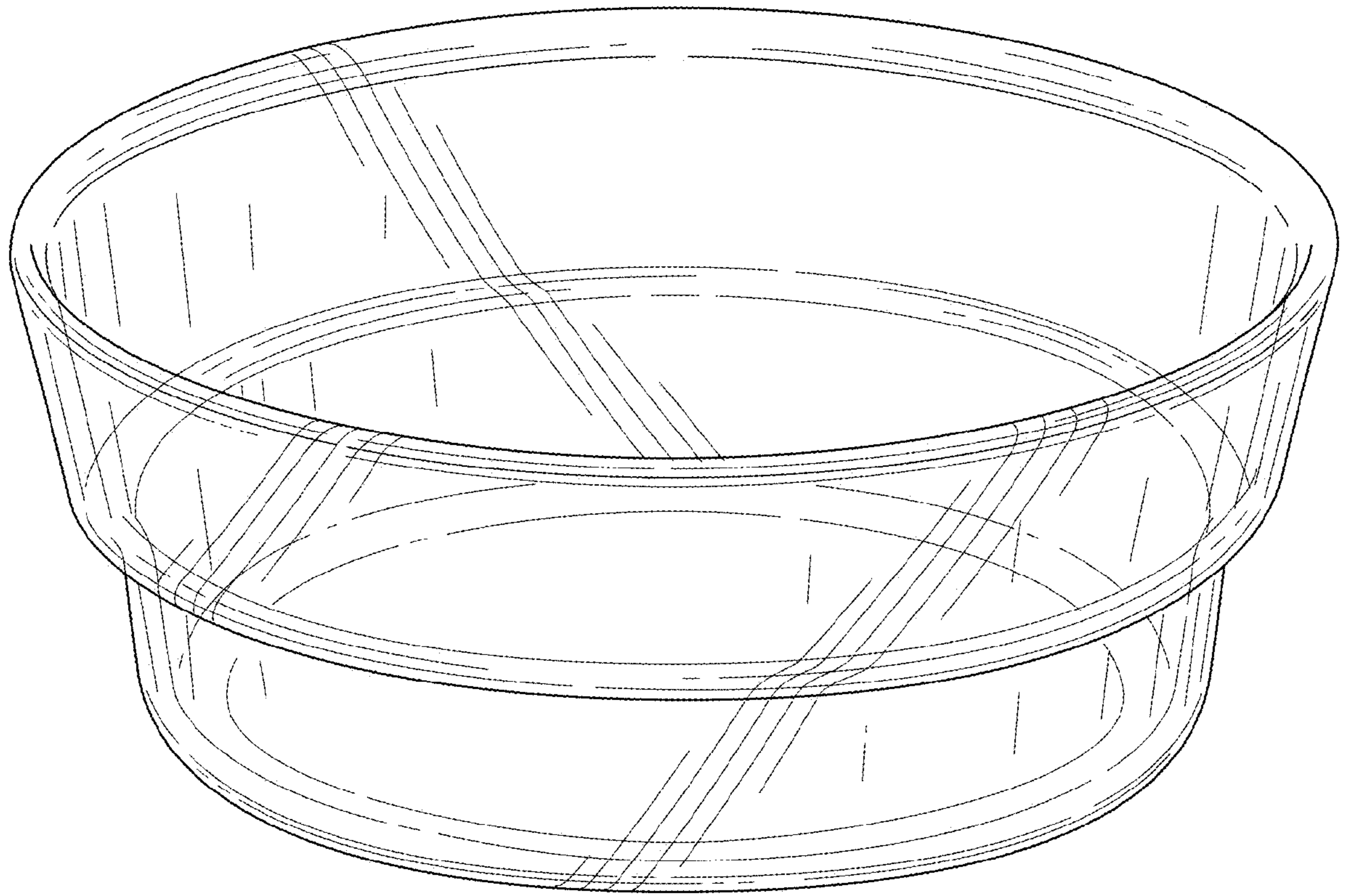
1.4



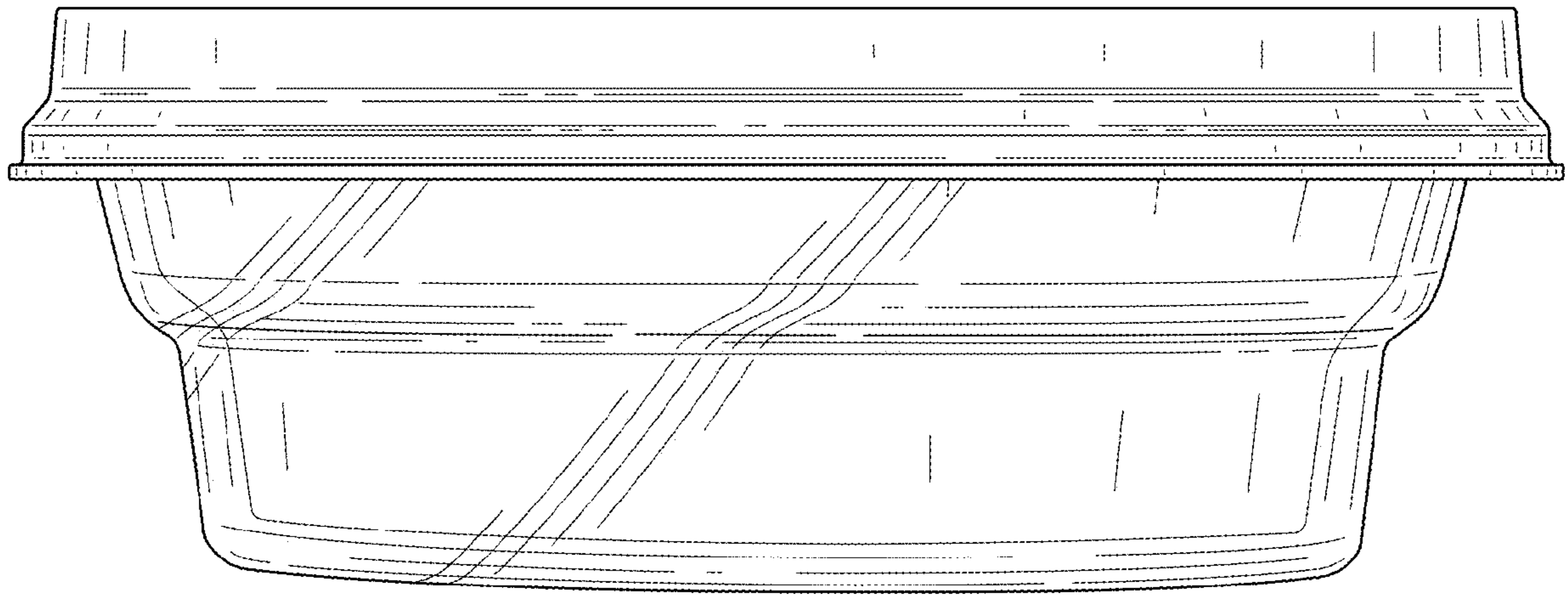
1.5



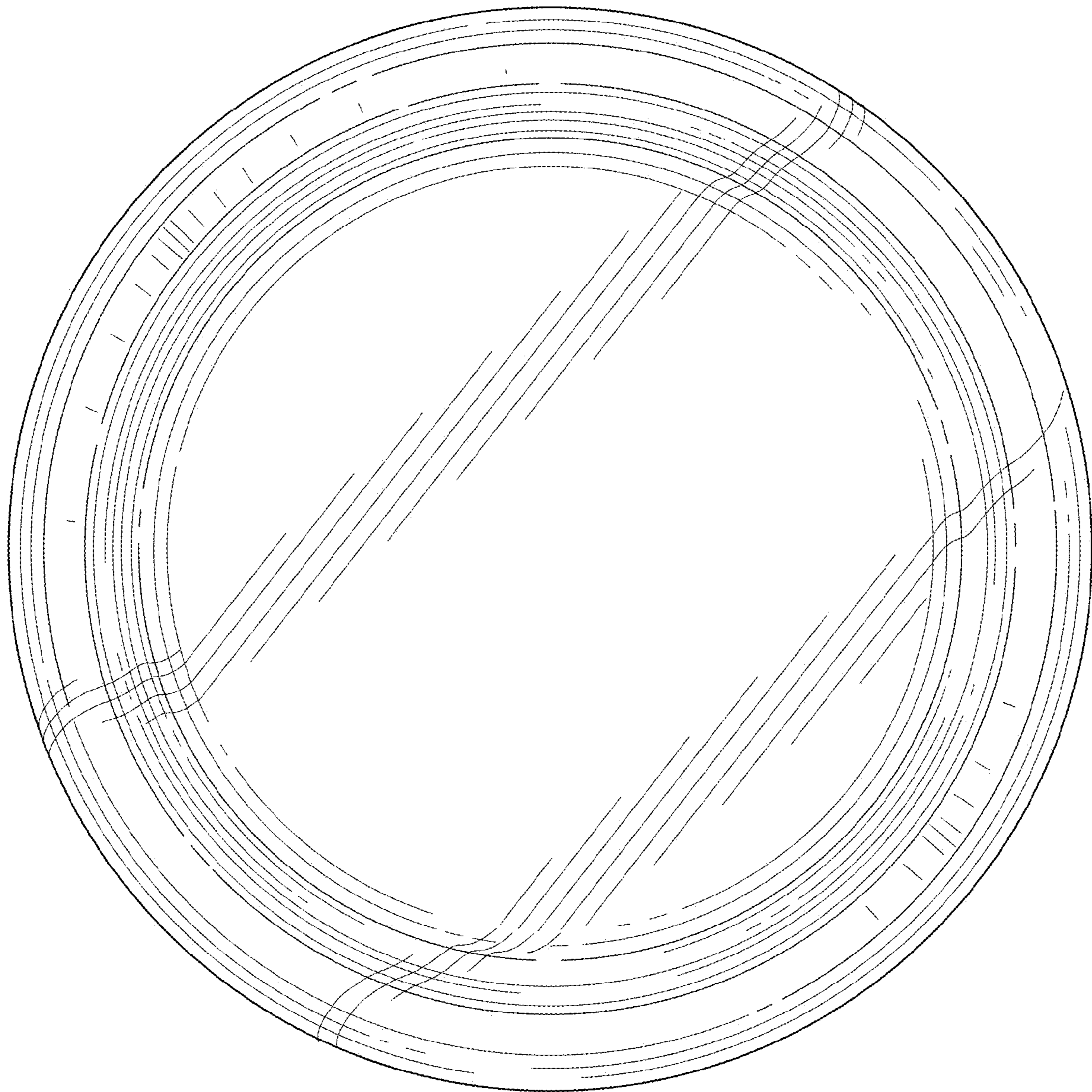
2.1



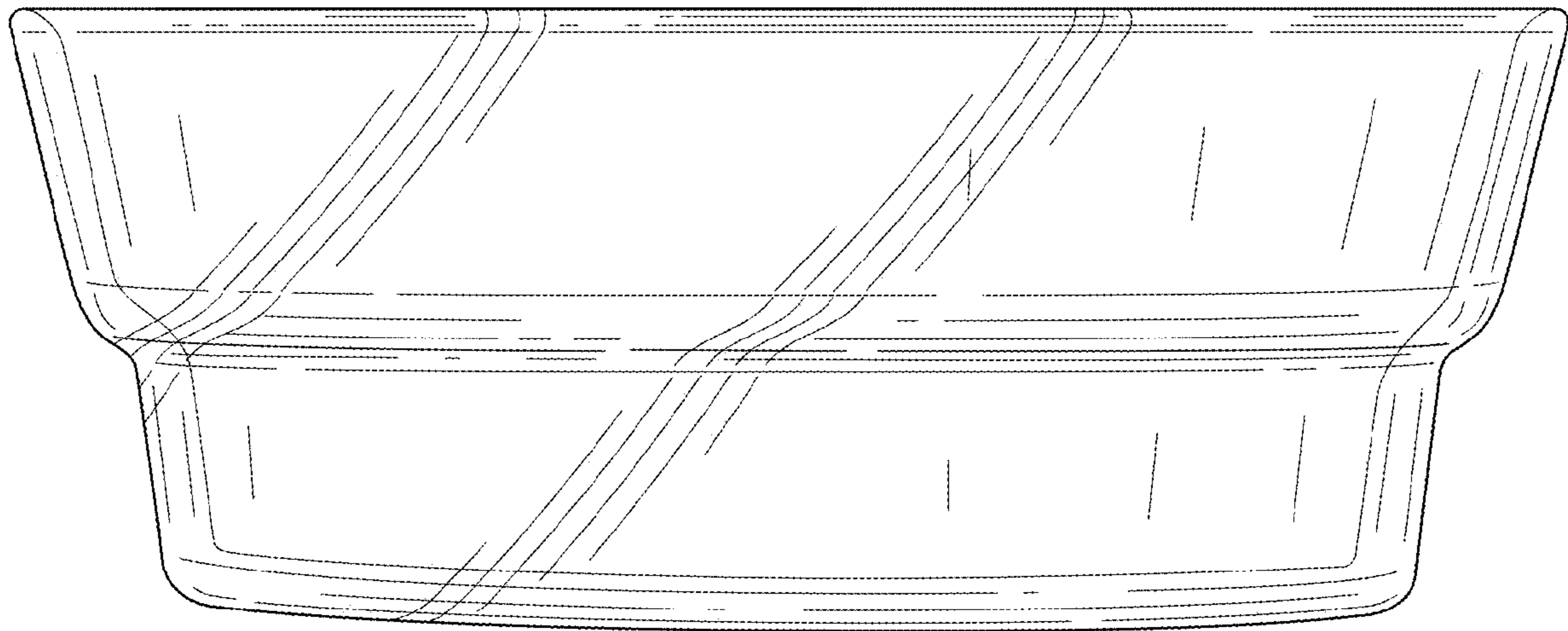
2.2



2.3



2.4



2.5