



US00D986686S

(12) **United States Design Patent** (10) **Patent No.:** **US D986,686 S**
Li (45) **Date of Patent:** **** May 23, 2023**

(54) **GRIDDLE CADDY**

(71) Applicant: **Fei Li**, Guangdong (CN)

(72) Inventor: **Fei Li**, Guangdong (CN)

(73) Assignee: **SHENZHEN HAISHITONG TECHNOLOGY CO., LTD.**,
Guangdong (CN)

(**) Term: **15 Years**

(21) Appl. No.: **29/849,834**

(22) Filed: **Aug. 15, 2022**

(51) **LOC (14) Cl.** **07-09**

(52) **U.S. Cl.**
USPC **D7/600.1**

(58) **Field of Classification Search**

USPC D7/590, 600.1, 600.2, 600.3, 600.4, 387,
D7/401.1, 213; D6/512, 524, 525, 552,
D6/553, 556, 558, 566, 567, 569, 570,
D6/574; D9/737, 741, 756, 759, 760,
D9/761

CPC A47J 47/16; A47B 47/00; A47B 47/0091;
A47B 81/00; A47B 81/007; A47F 7/00;
A47F 5/10; A47F 5/13

See application file for complete search history.

(56) **References Cited**

U.S. PATENT DOCUMENTS

5,039,046	A *	8/1991	Brewster	A47F 7/28 248/302
D406,218	S *	3/1999	Schneider	D7/600.1
D483,587	S *	12/2003	Snell	D6/525
D632,081	S *	2/2011	Klein	D3/306
D661,097	S *	6/2012	Dretzka	D3/313
D731,187	S *	6/2015	Thompson	D3/315
9,282,821	B2 *	3/2016	Miedtke	A47B 88/941
D772,015	S *	11/2016	Tsai	D7/704
D781,069	S *	3/2017	Marshall	D6/553
D785,368	S *	5/2017	Goodman	D6/566
D837,609	S *	1/2019	Glass	D7/600.1

(Continued)

OTHER PUBLICATIONS

Griddle Set Bundle posted at Amazon.com, posted on Aug. 4, 2022, © 1996-2022 Amazon.com, [online], [site visited Dec. 30, 2022]. Available from Internet, <URL: https://www.amazon.com/Griddle-Bundle-Contains-Magnetic-Accessories/dp/B0B8NM76SR> (Year: 2022).*

Primary Examiner — Andrew Kerr

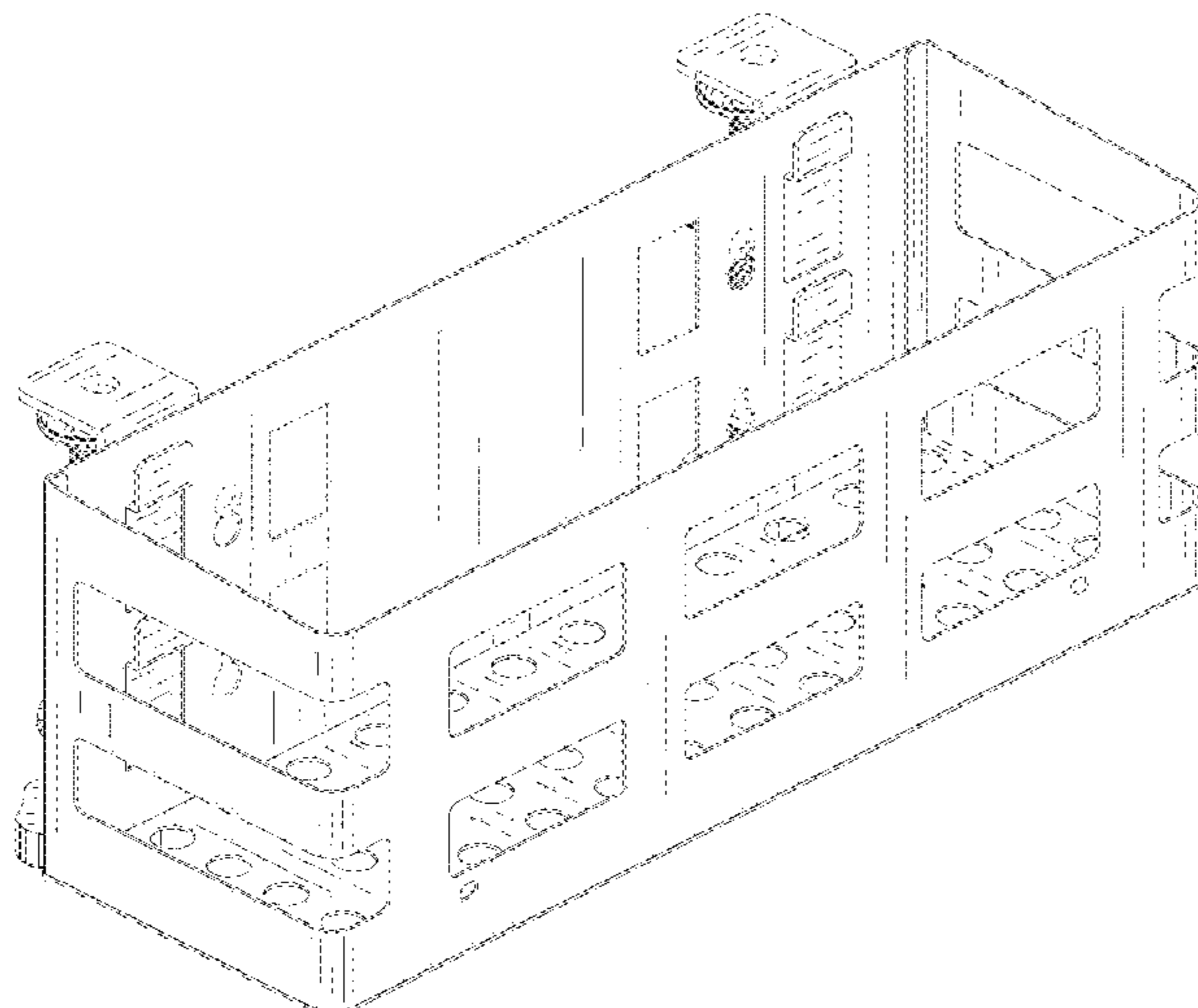
(57) **CLAIM**

The ornamental design for a griddle caddy, as shown and described.

DESCRIPTION

FIG. 1 is a front and top perspective view of a griddle caddy, showing my new design;
FIG. 2 is a rear and bottom perspective view thereof;
FIG. 3 is a front elevation view thereof;
FIG. 4 is a rear elevation view thereof;
FIG. 5 is a left side elevation view thereof;
FIG. 6 is a right side elevation view thereof;
FIG. 7 is a top plan view thereof;
FIG. 8 is a bottom plan view thereof;
FIG. 9 is an enlarged perspective view of detail “9” identified in FIG. 2;
FIG. 10 is another perspective view thereof, shown in a using position; and,
FIG. 11 is another perspective view thereof, shown in a using position.
The dashed lines in the figures illustrate portions of the griddle caddy that form no part of the claimed design. The dash dot dash lines in FIGS. 2 and 9 are for the purpose of depicting the boundary lines of the enlarged view and form no part of the claimed design. The broken lines showing of a magnetic plate in FIG. 10 and a tissue holder and hooks in FIG. 11 depict environmental structure that form no part of the claimed design.

1 Claim, 11 Drawing Sheets



(56)

References Cited

U.S. PATENT DOCUMENTS

D842,023	S	3/2019	Carlson et al.	
D845,024	S *	4/2019	Joseph	D6/532
D890,548	S *	7/2020	Cai	D6/574
D915,148	S *	4/2021	Li	D7/600.4
D957,162	S *	7/2022	Appelbaum	D6/525
D970,249	S *	11/2022	Wang	D6/525
D973,451	S *	12/2022	Vela	D7/637
2012/0037648	A1 *	2/2012	Goodman	A47G 21/16 220/668
2019/0038110	A1 *	2/2019	Manooki	A47B 81/04

* cited by examiner

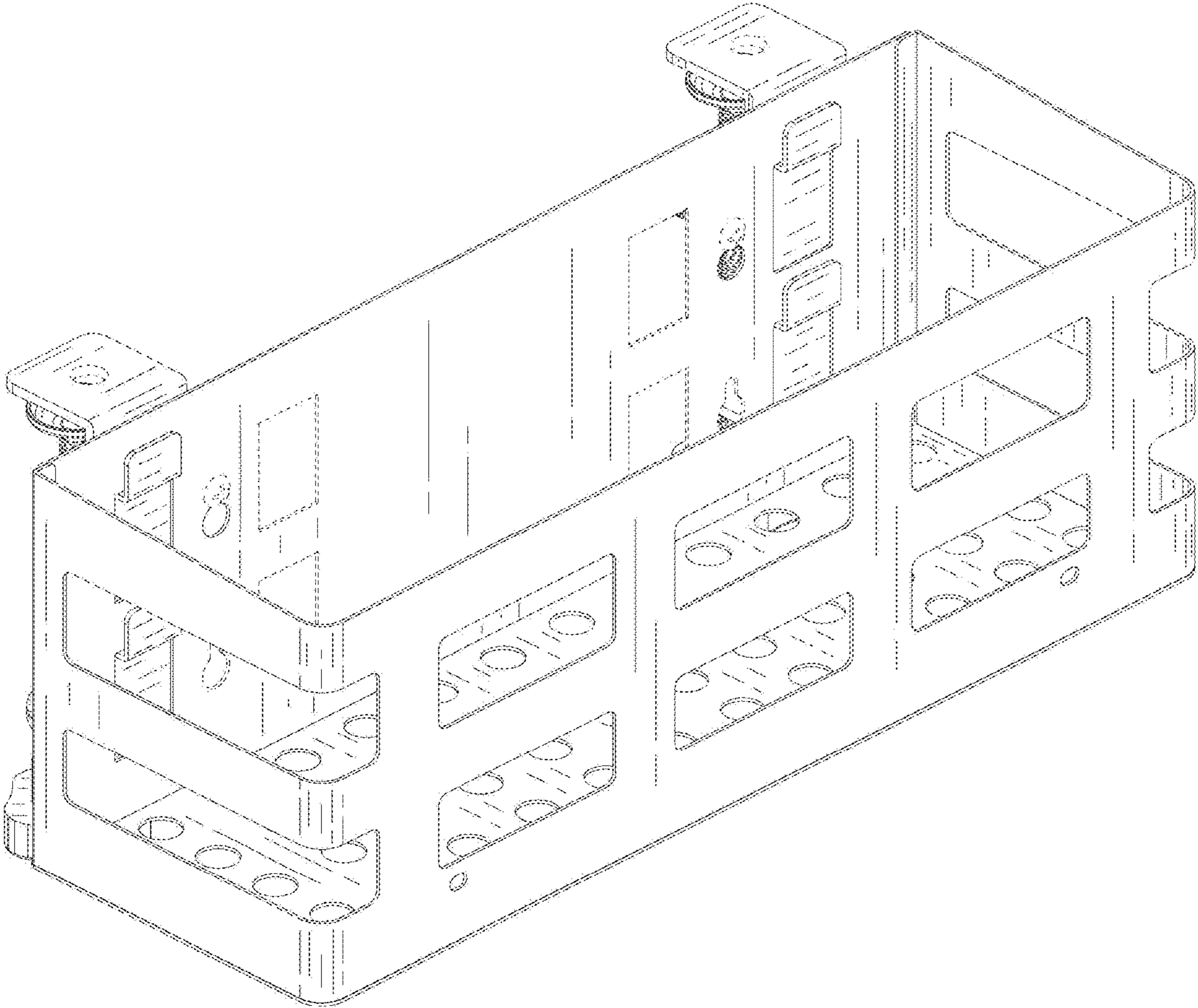


FIG. 1

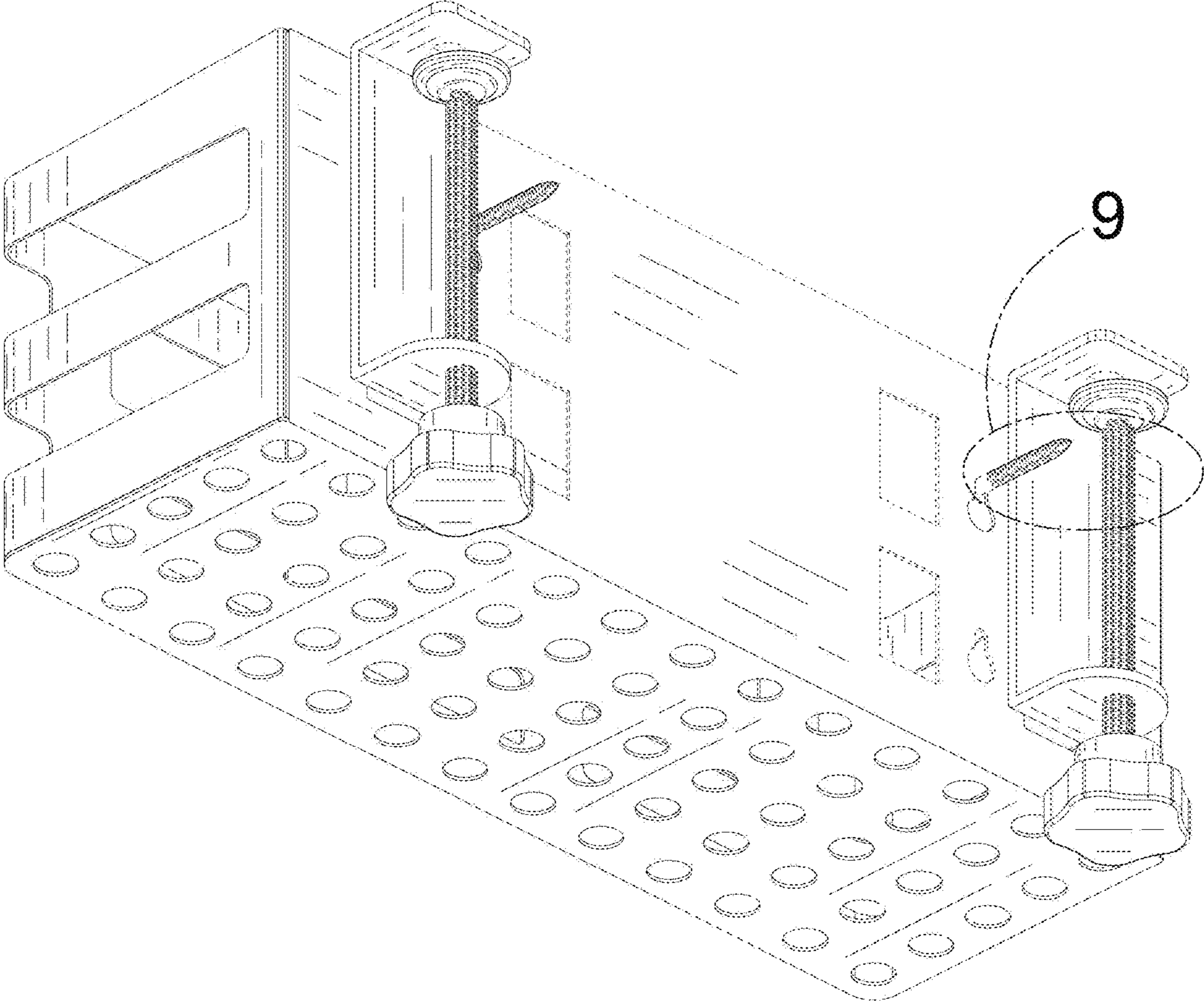


FIG. 2

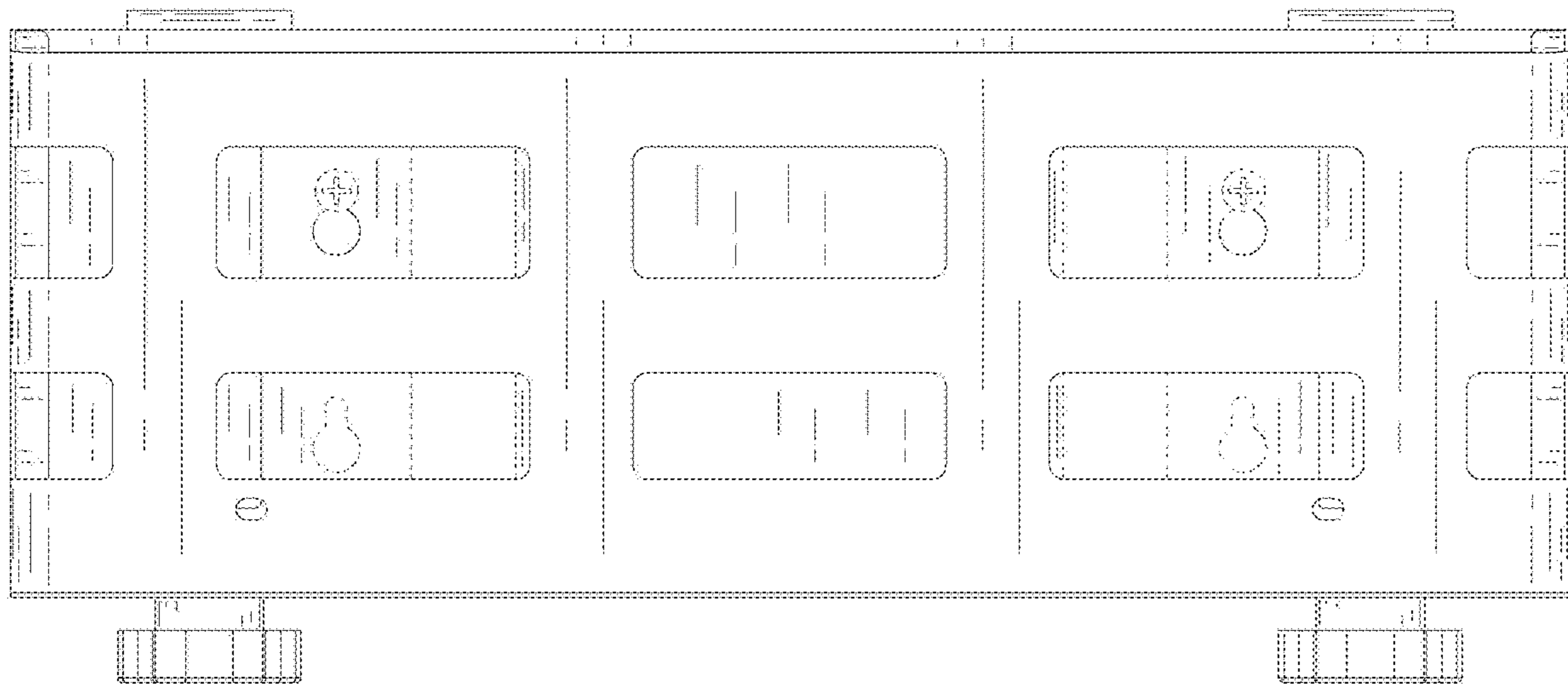


FIG. 3

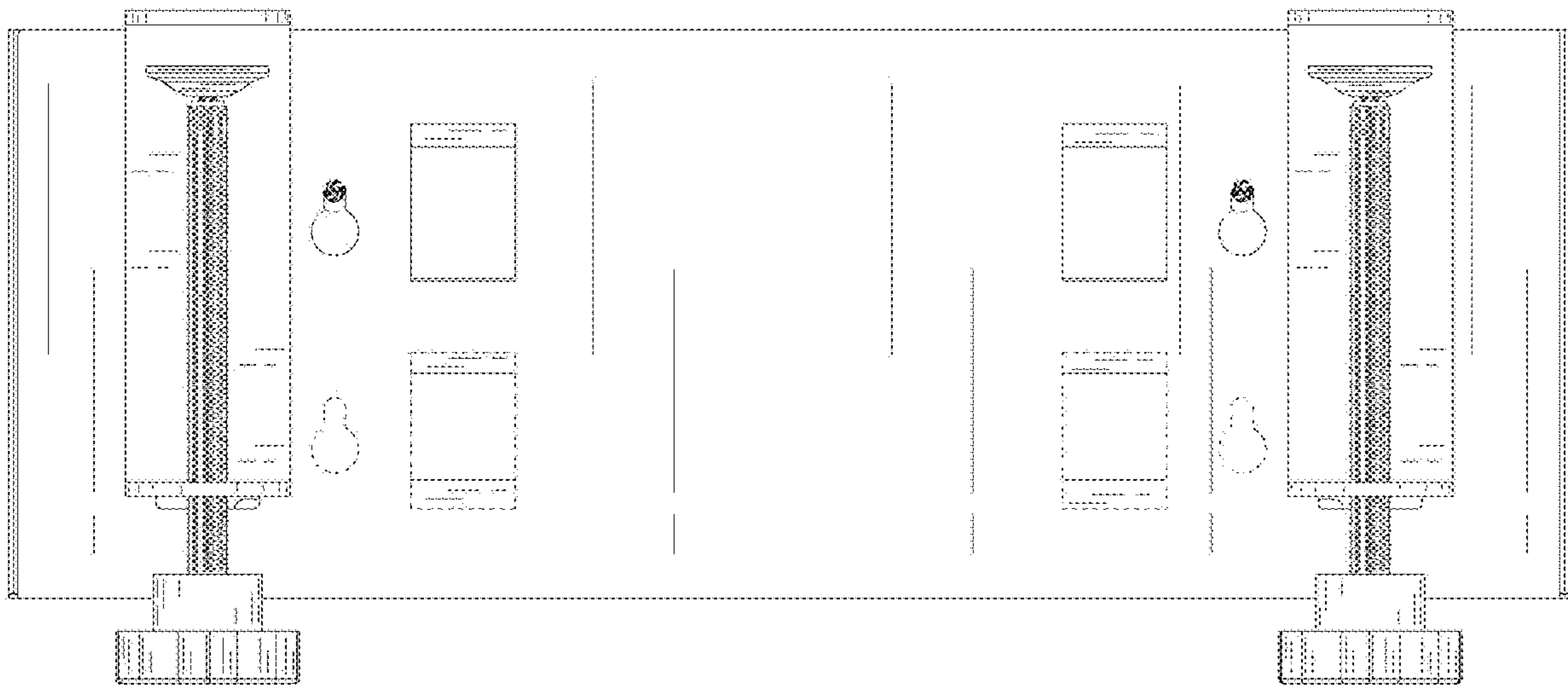


FIG. 4

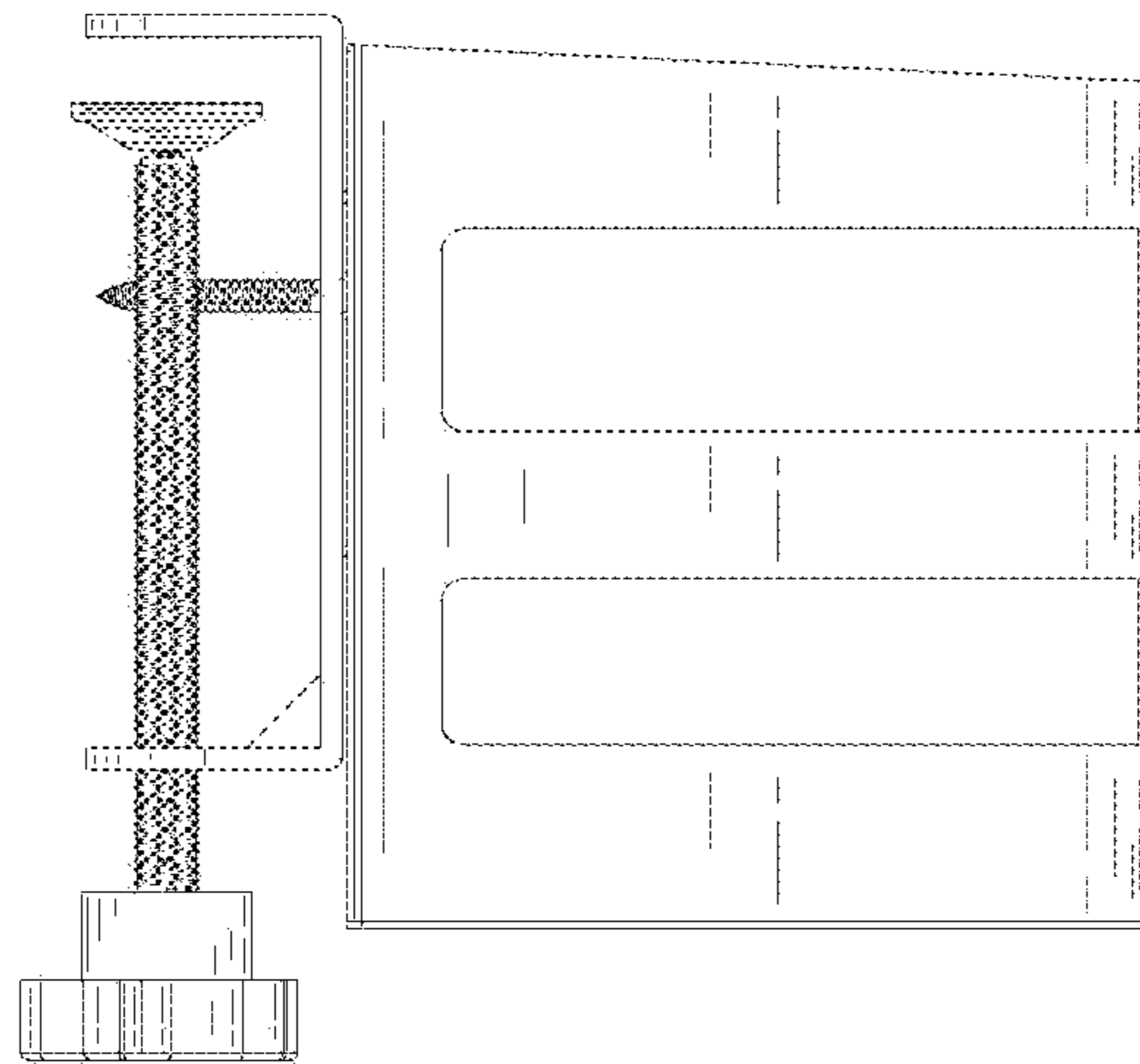


FIG. 5

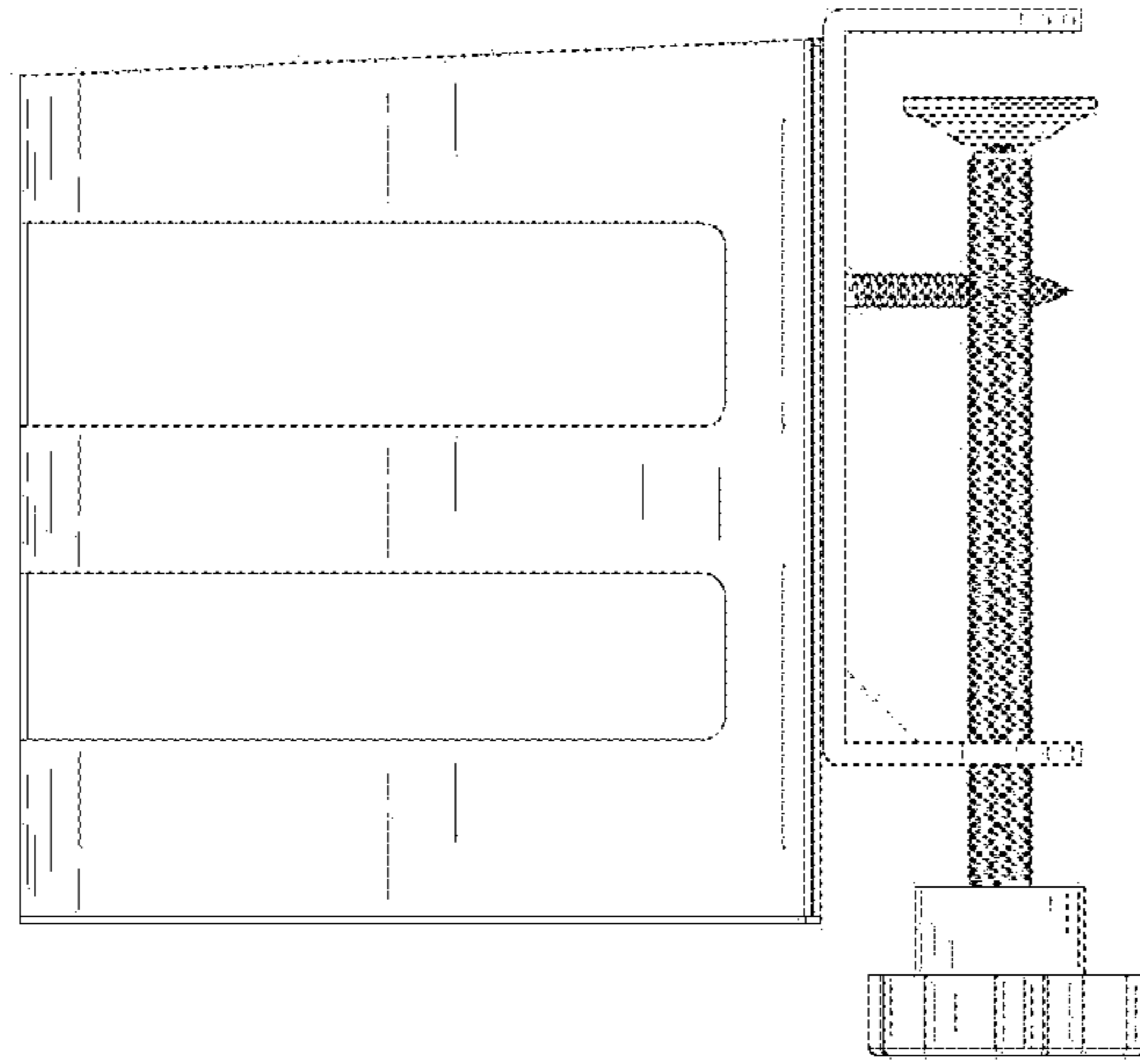


FIG. 6

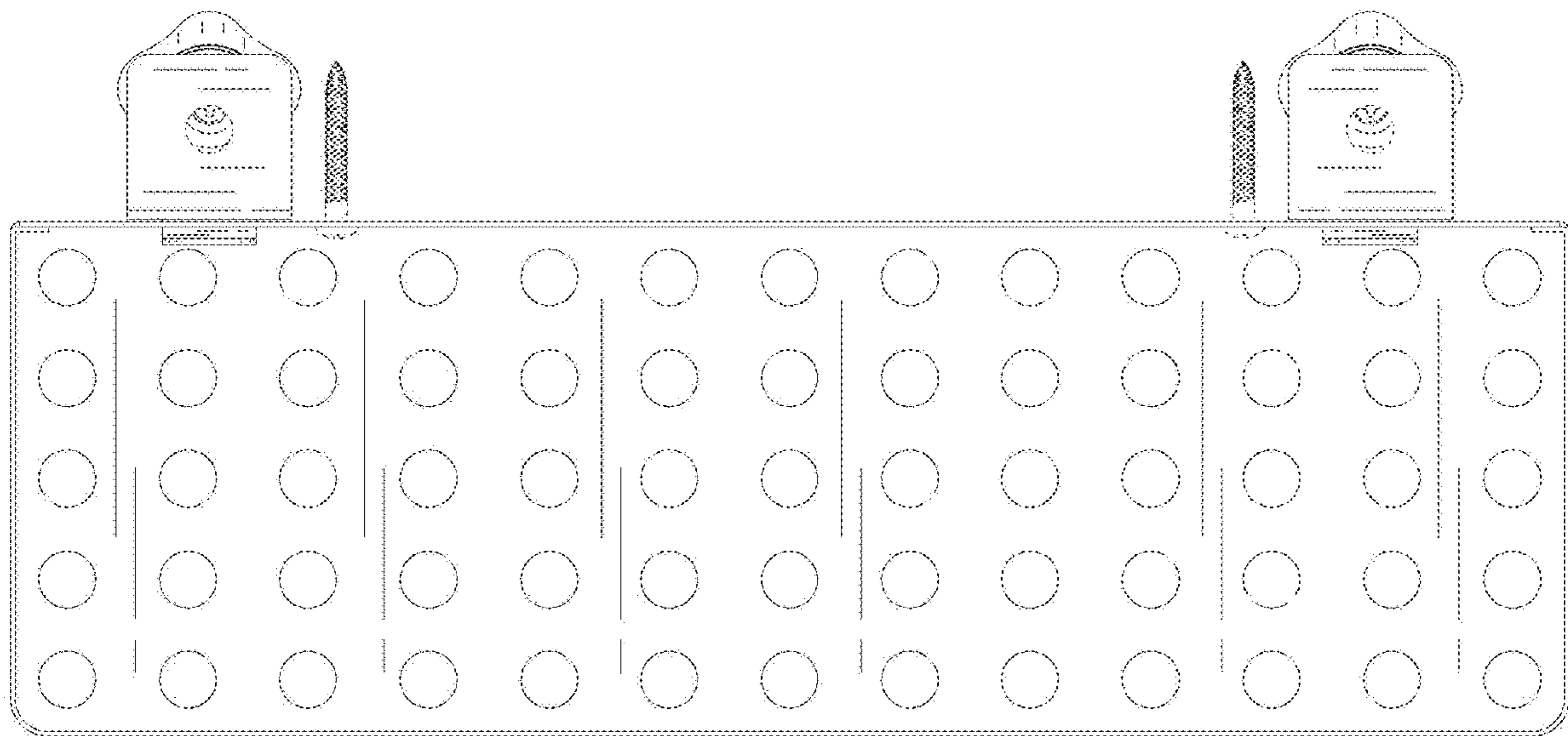


FIG. 7

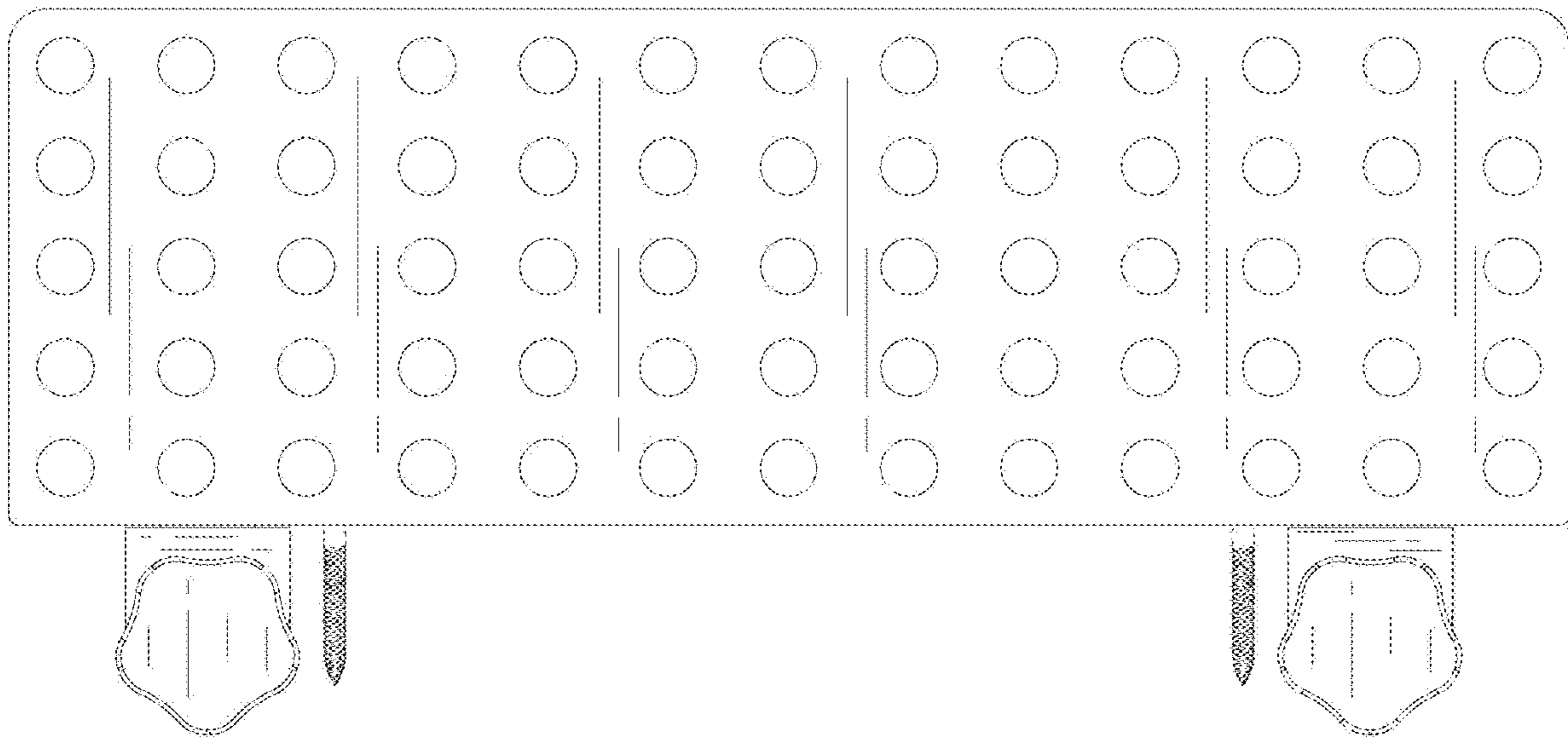


FIG. 8

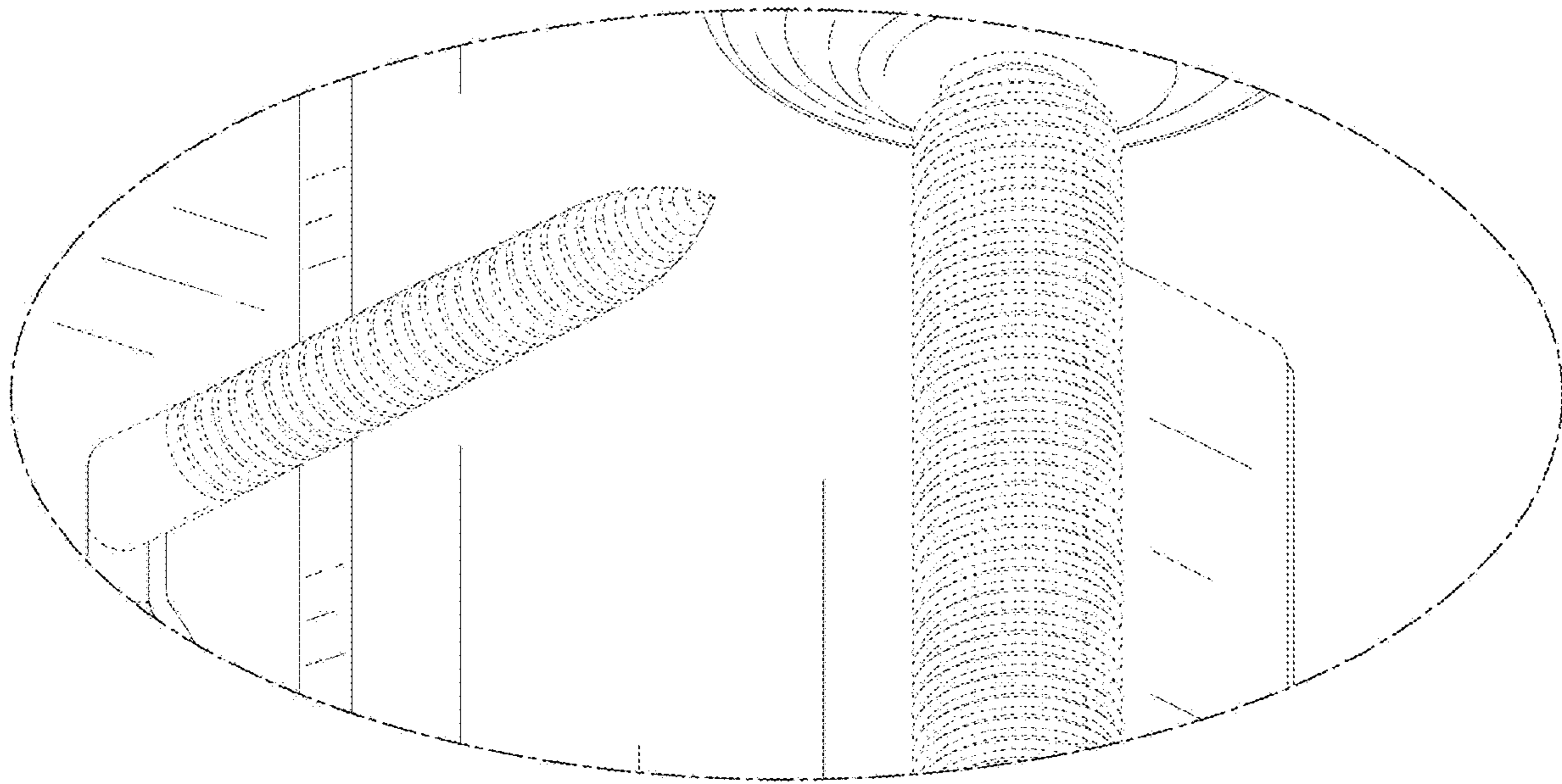


FIG. 9

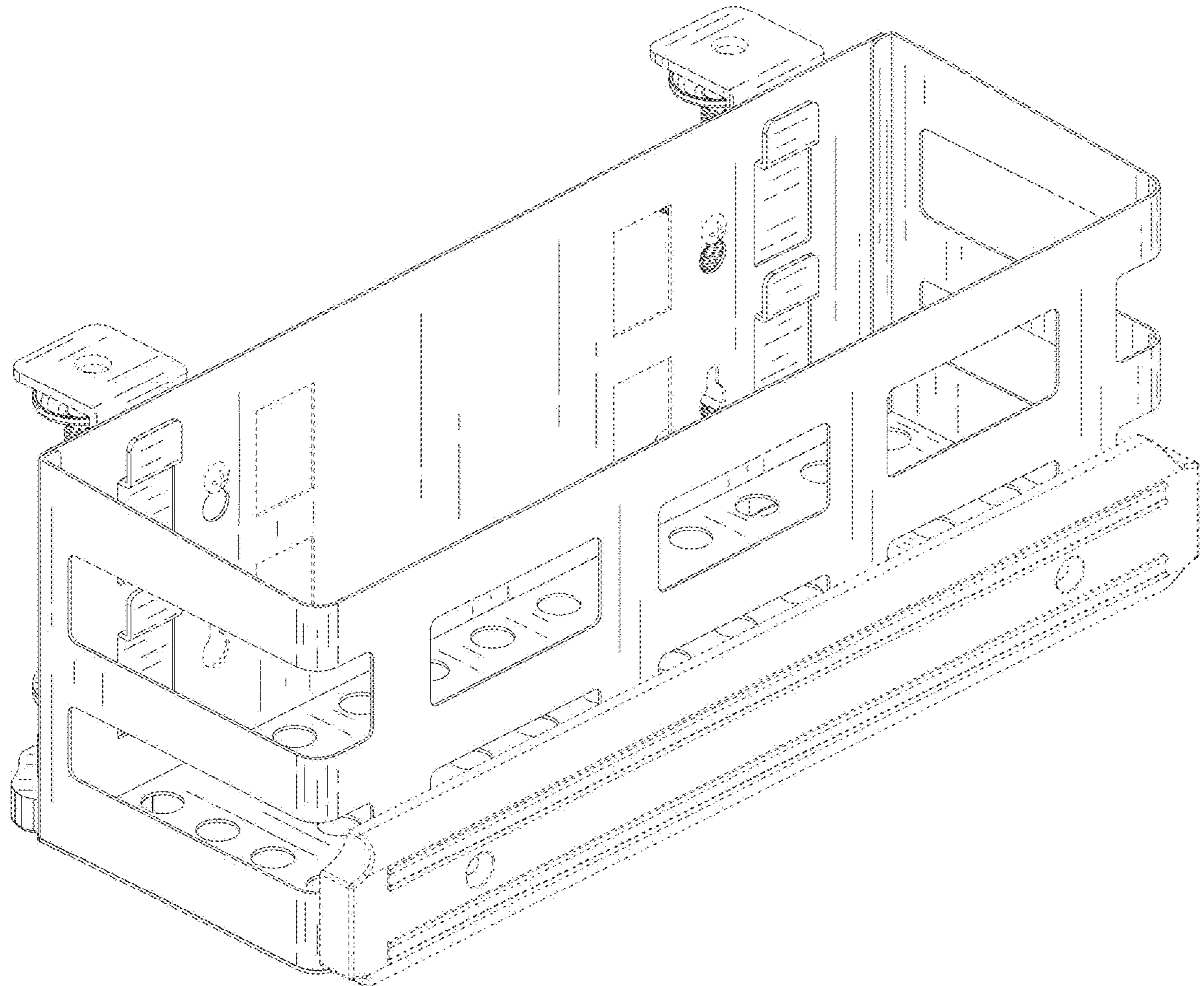


FIG. 10

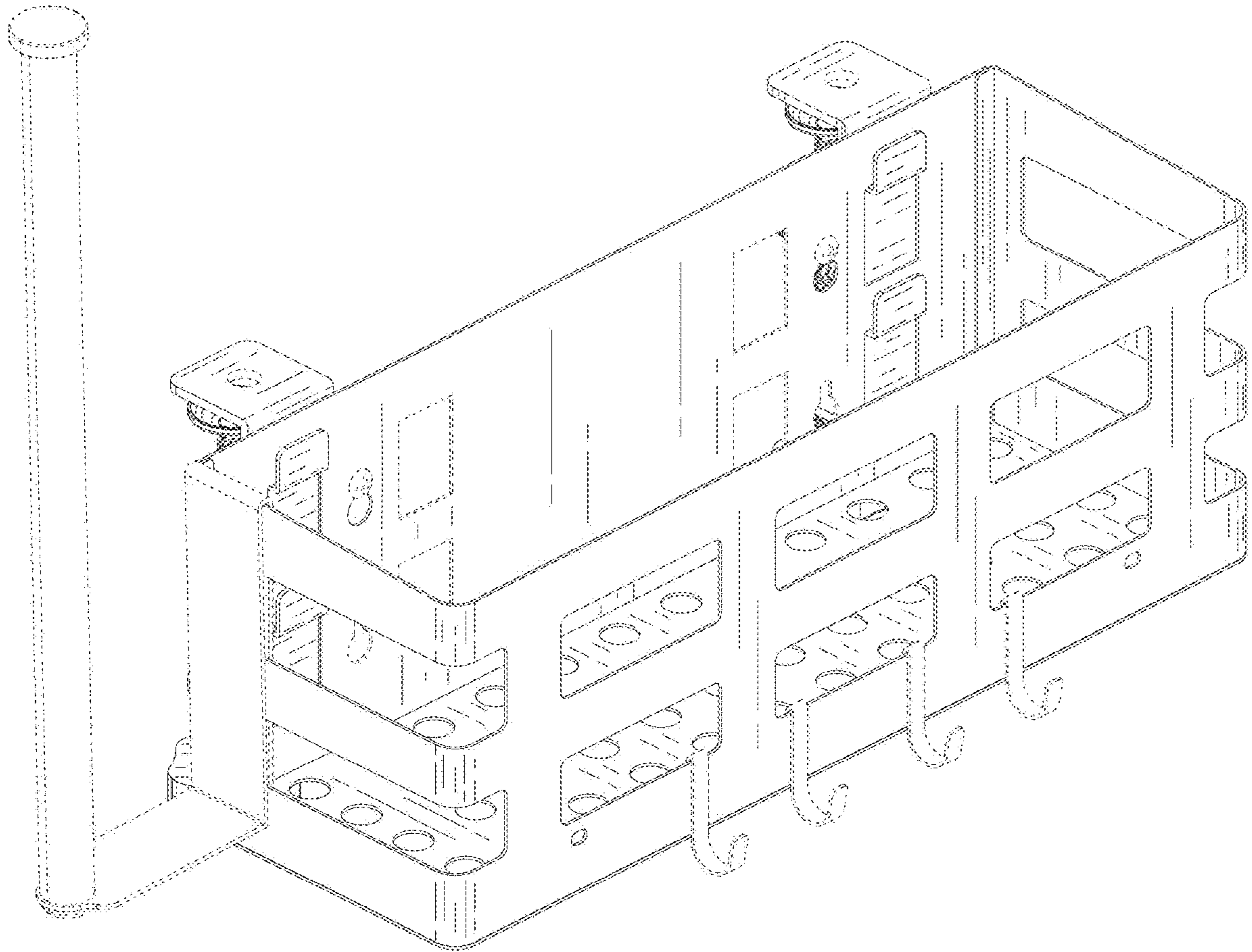


FIG. 11