



US00D986684S

(12) **United States Design Patent**
Sahatjian

(10) **Patent No.:** **US D986,684 S**

(45) **Date of Patent:** **** May 23, 2023**

(54) **FOOD TRAY**

(71) Applicant: **Sarine Sahatjian**, Simi Valley, CA
(US)

(72) Inventor: **Sarine Sahatjian**, Simi Valley, CA
(US)

(**) Term: **15 Years**

(21) Appl. No.: **29/785,141**

(22) Filed: **May 24, 2021**

(51) **LOC (14) Cl.** **07-01**

(52) **U.S. Cl.**
USPC **D7/551.1**

(58) **Field of Classification Search**
USPC D7/396.4, 501, 505, 571, 538, 540,
D7/541-543, 545, 546, 549, 552.1, 553,
D7/553.1, 553.2, 553.6, 554.2; D9/756,
D9/761; D30/130
CPC B65D 1/34; B65D 21/00; A47G 19/00;
A47G 19/02; A47G 21/00; A47G 23/06
See application file for complete search history.

(56) **References Cited**

U.S. PATENT DOCUMENTS

D298,671 S *	11/1988	Simerson	D30/130
D300,068 S *	2/1989	Pritikin	D30/129
D361,874 S *	8/1995	Keller	D30/129
D362,090 S *	9/1995	Baldwin	D30/130
D428,136 S *	7/2000	Cady	D30/160
D487,823 S *	3/2004	Wang	D30/118
D509,593 S *	9/2005	Sullivan	D25/2
D512,539 S *	12/2005	Brunes	D30/130
D529,821 S *	10/2006	Wilcox	D9/761
D530,625 S *	10/2006	Darin	D9/761
D541,427 S *	4/2007	Palmer, III	D25/2
D552,634 S *	10/2007	Janiszewski	D15/90
D584,108 S *	1/2009	Olsson	D9/425
D606,801 S *	12/2009	Kirk	D7/354

D610,194 S *	2/2010	Herrenbruck	D19/1
D611,759 S *	3/2010	Kirk	D7/354
D623,362 S *	9/2010	Man	D30/131

(Continued)

Primary Examiner — Kelley A Donnelly

(74) *Attorney, Agent, or Firm* — Kevin Schraven; Anooj Patel; Hankin Patent Law APC

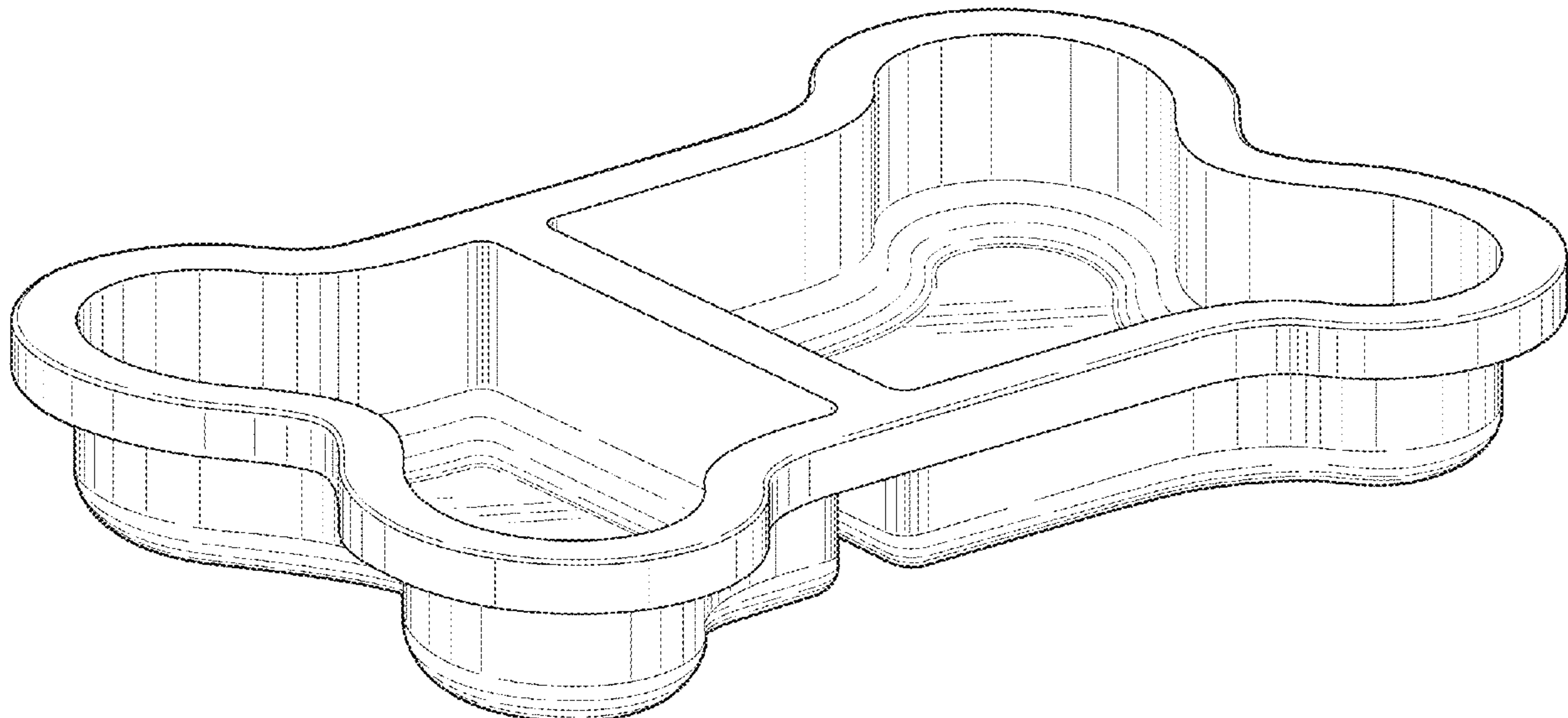
(57) **CLAIM**

The ornamental design for a food tray, as shown and described.

DESCRIPTION

FIG. 1 is a front perspective view of a first embodiment of the food tray showing my new design.
 FIG. 2 is a rear perspective view thereof.
 FIG. 3 is a top elevational view thereof.
 FIG. 4 is a bottom elevational view thereof.
 FIG. 5 is a left side elevational view thereof.
 FIG. 6 is a right side elevational view thereof.
 FIG. 7 is a front plan view thereof.
 FIG. 8 is a rear plan view thereof.
 FIG. 9 is a front perspective view of a second embodiment of the food tray showing my new design.
 FIG. 10 is a rear perspective view thereof.
 FIG. 11 is a top elevational view thereof.
 FIG. 12 is a bottom elevational view thereof.
 FIG. 13 is a left side elevational view thereof.
 FIG. 14 is a right side elevational view thereof.
 FIG. 15 is a rear plan view thereof.
 FIG. 16 is a front plan view thereof.
 FIG. 17 is a front perspective view of a third embodiment of the food tray showing my new design.
 FIG. 18 is a rear perspective view thereof.
 FIG. 19 is a top elevational view thereof.
 FIG. 20 is a bottom elevational view thereof.
 FIG. 21 is a left side elevational view thereof.
 FIG. 22 is a right side elevational view thereof.
 FIG. 23 is a rear plan view thereof; and,
 FIG. 24 is a front plan view thereof.

1 Claim, 24 Drawing Sheets



(56)

References Cited

U.S. PATENT DOCUMENTS

D627,109	S	*	11/2010	Man	D30/133
D673,190	S	*	12/2012	Klemm	D15/90
D687,192	S	*	7/2013	Grist	D30/129
D689,323	S	*	9/2013	Endres	D7/352
D699,076	S	*	2/2014	Harris	D7/555
D709,247	S	*	7/2014	Gailen	D30/129
D713,741	S	*	9/2014	Wilmers	D9/761
D724,278	S	*	3/2015	Avalos Sartorio	D30/130
D727,576	S	*	4/2015	Avalos Sartorio	D30/129
D751,773	S	*	3/2016	Gailen	D30/129
D778,115	S	*	2/2017	Strachan	D7/553.1
D778,155	S	*	2/2017	Strachan	D9/432
D778,722	S	*	2/2017	Strachan	D9/432
D823,553	S	*	7/2018	Liu	D30/129
D831,505	S	*	10/2018	McSweeney	D9/756
D840,836	S	*	2/2019	Sahatjian	D9/708
D914,996	S	*	3/2021	Xie	D30/121
D950,395	S	*	5/2022	McSweeney	D9/756
D962,008	S	*	8/2022	Moore	D7/602
D970,824	S	*	11/2022	Li	D30/130
D970,977	S	*	11/2022	Glupker	D7/602
D977,732	S	*	2/2023	Chen	D30/129
2006/0272588	A1	*	12/2006	Decroix	A01K 5/0114 119/61.5

* cited by examiner

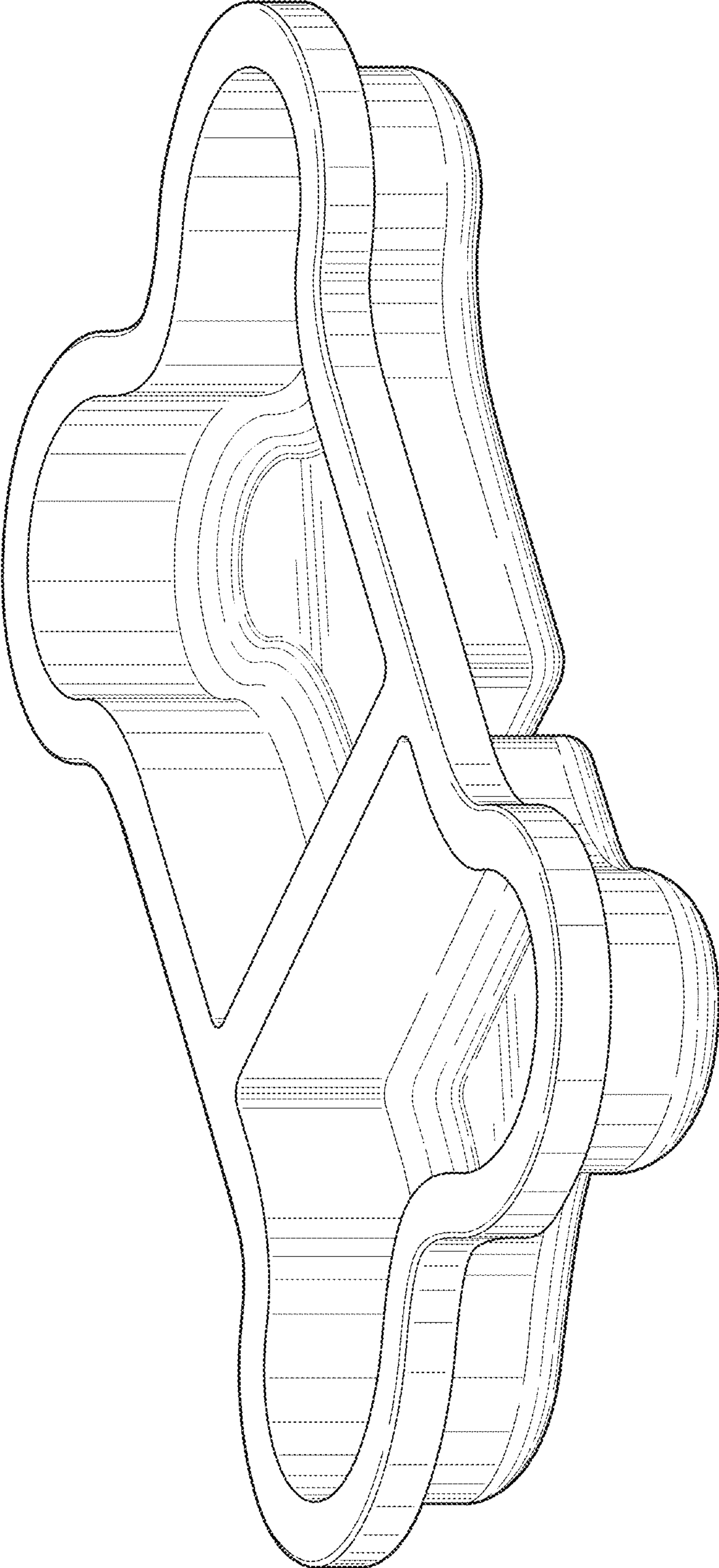


Fig. 1

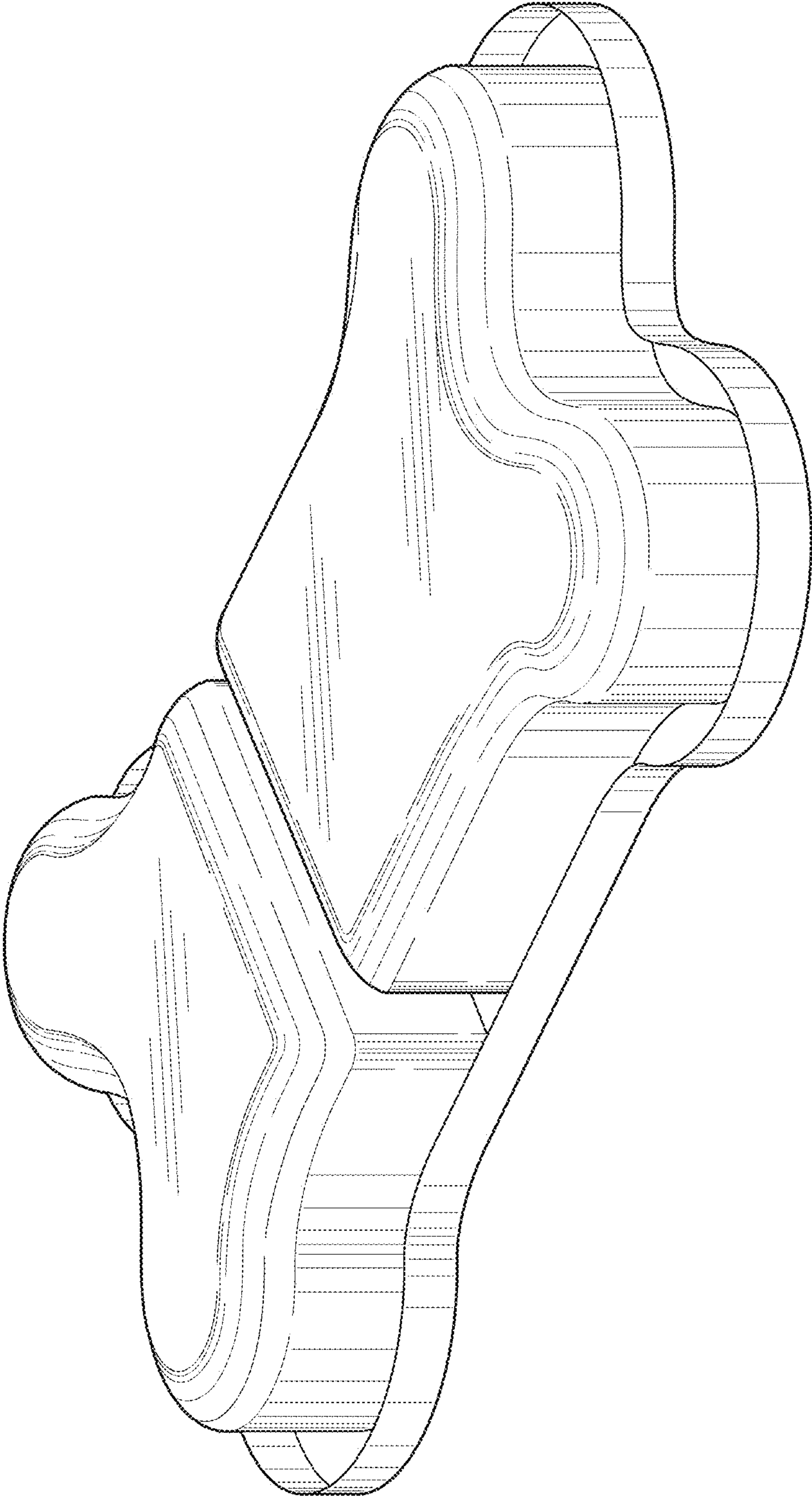


Fig.2

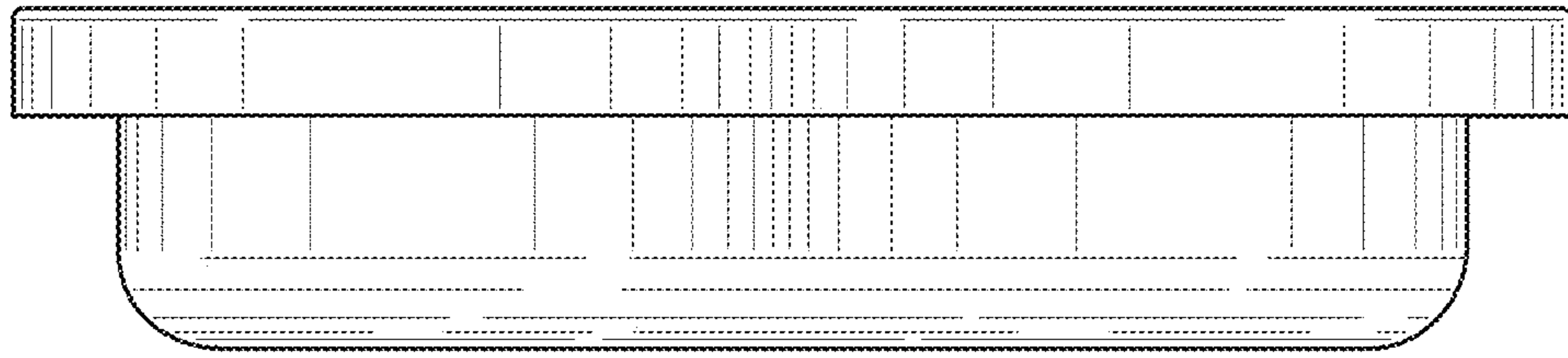


Fig.3

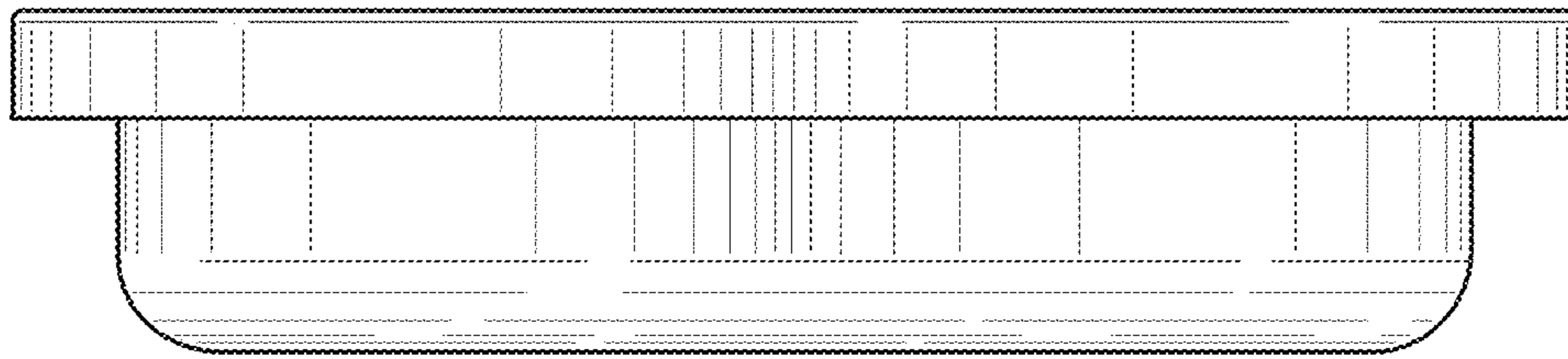


Fig.4

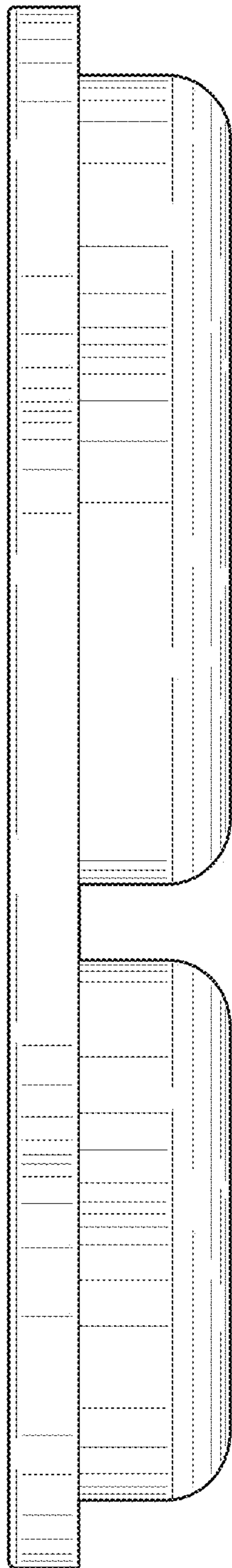


Fig. 5

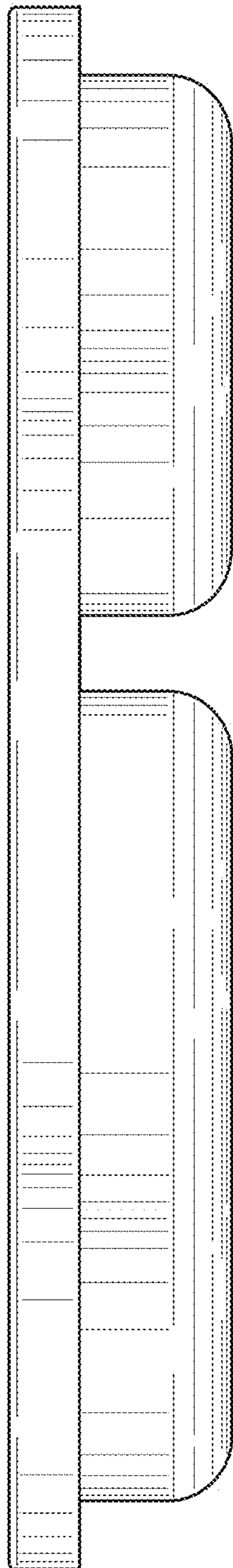


Fig. 6

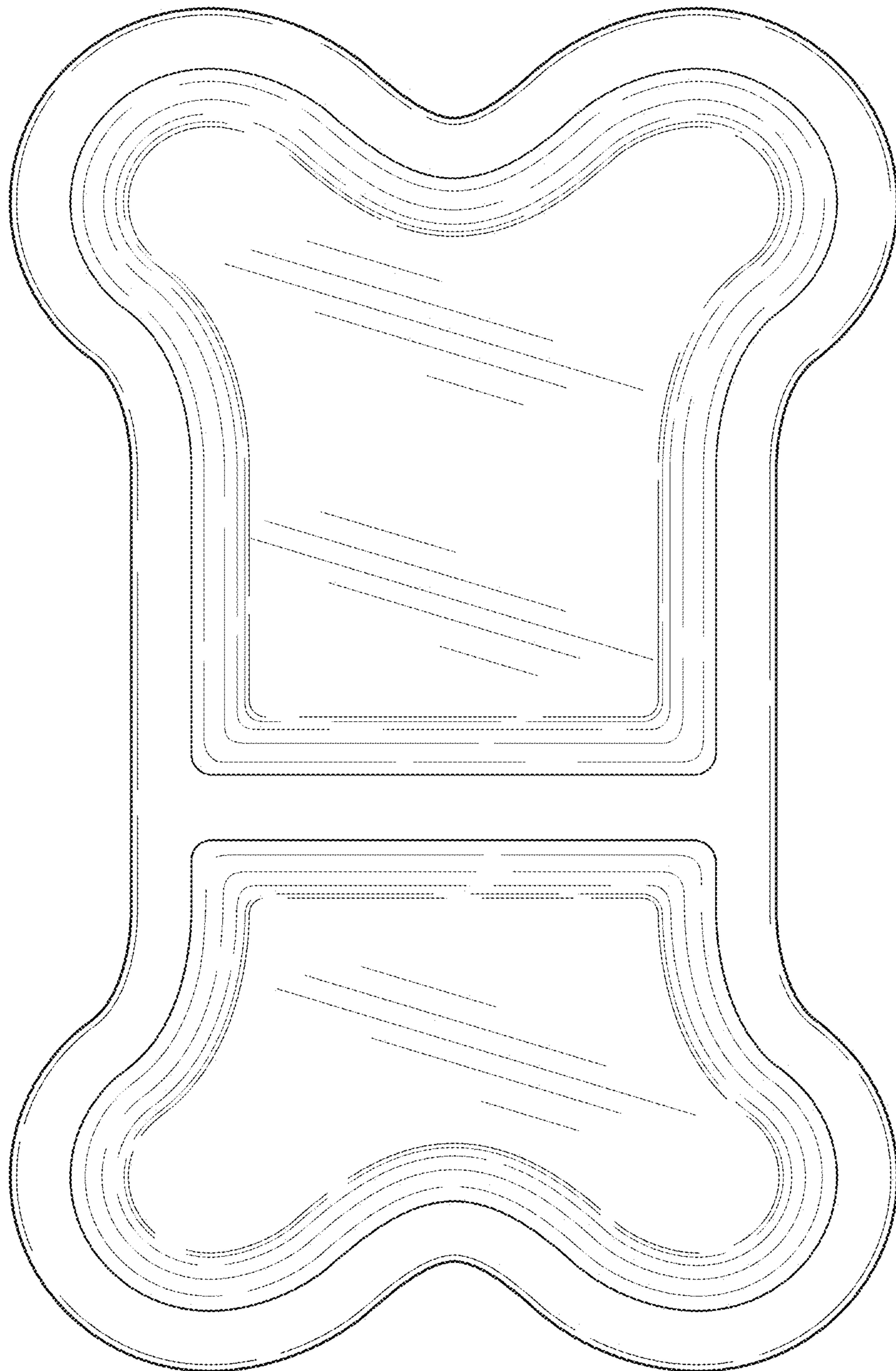


Fig. 7

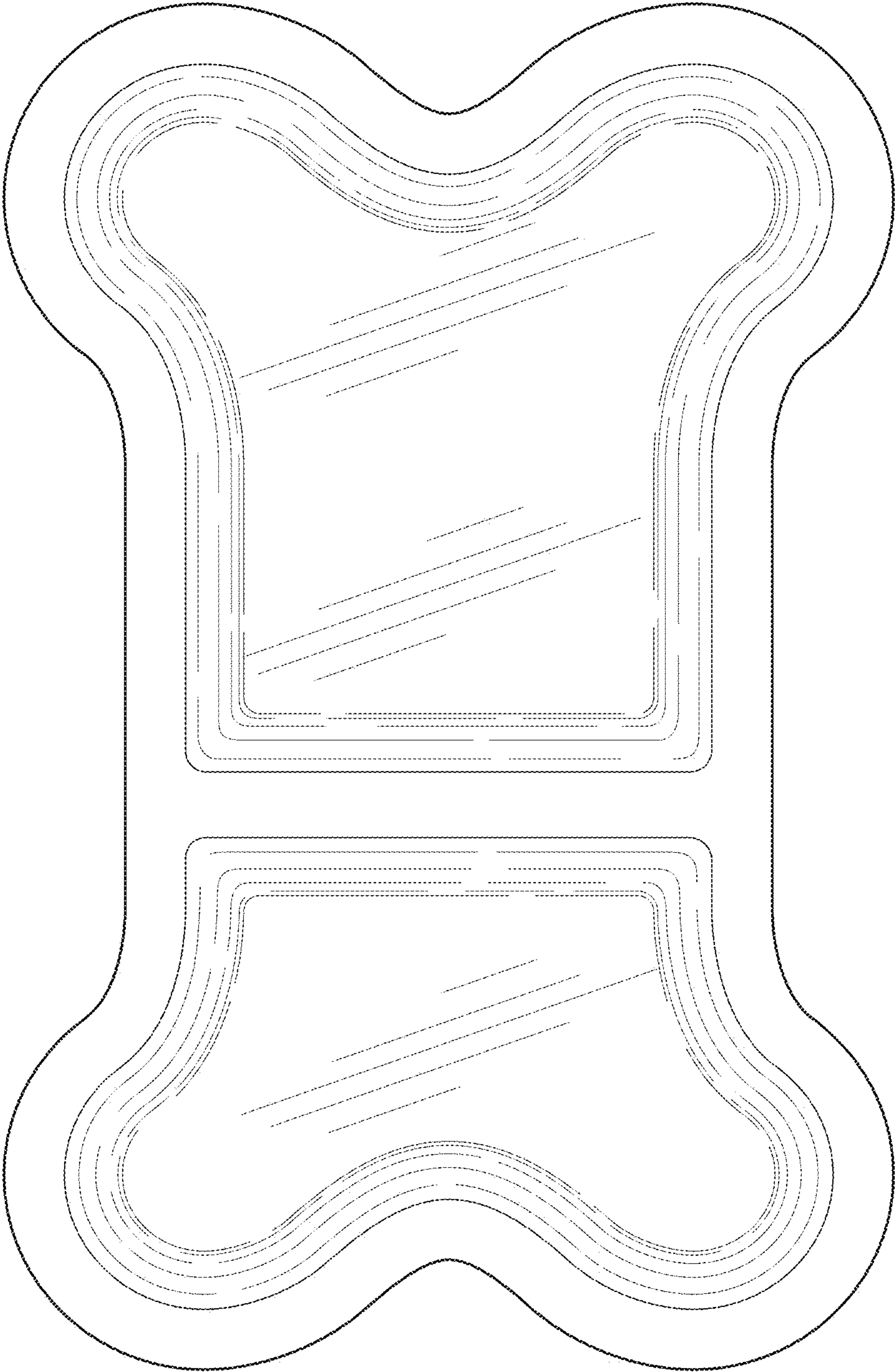


Fig. 8

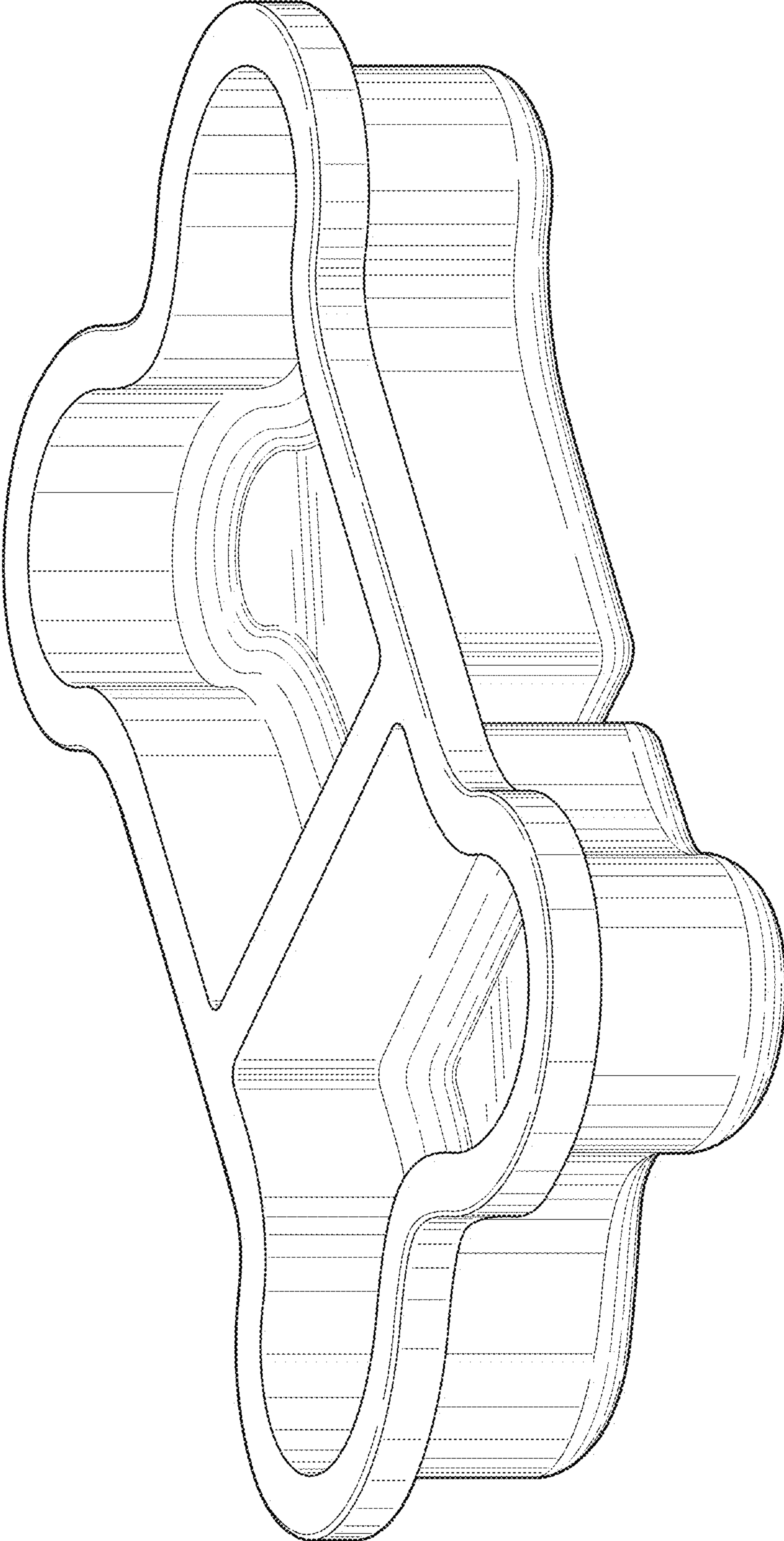


Fig. 9

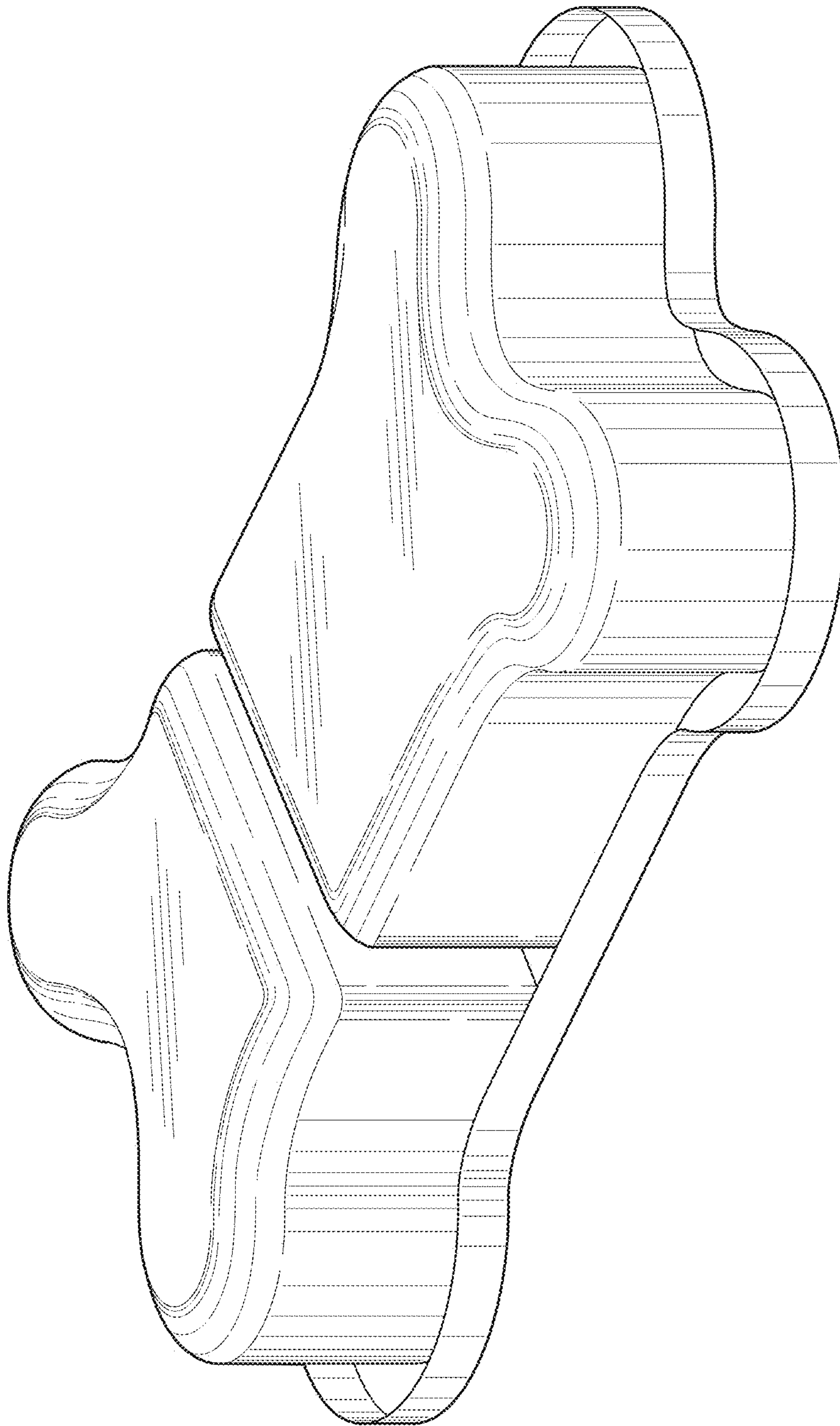


Fig. 10

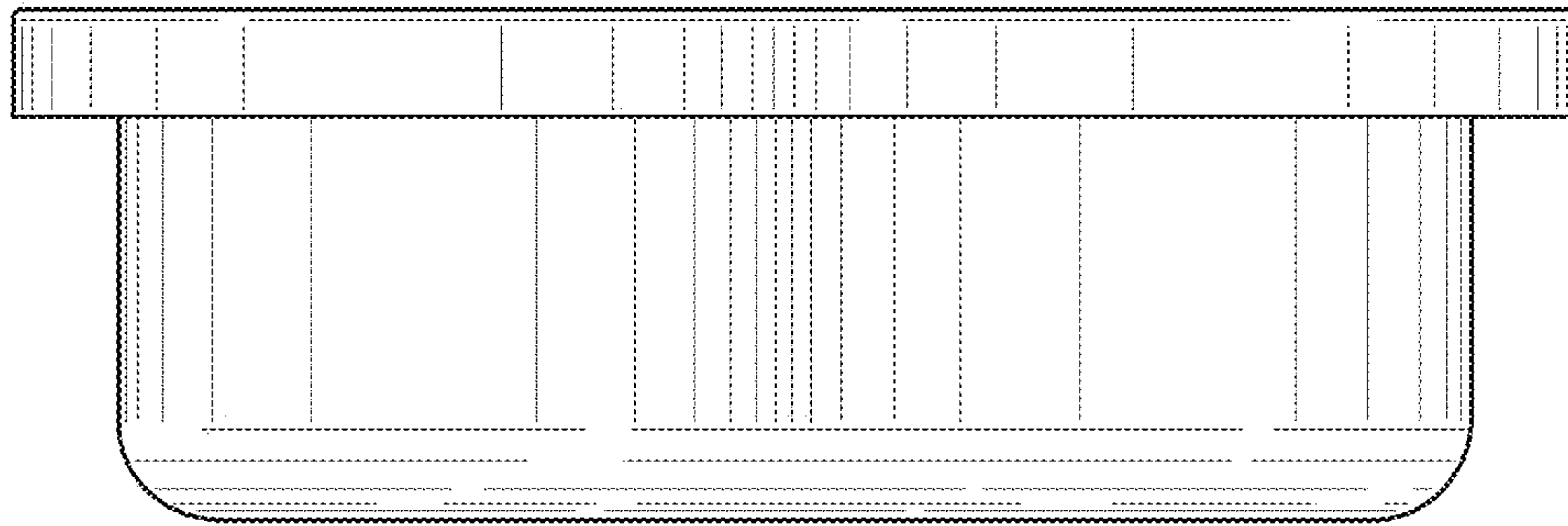


Fig. 11

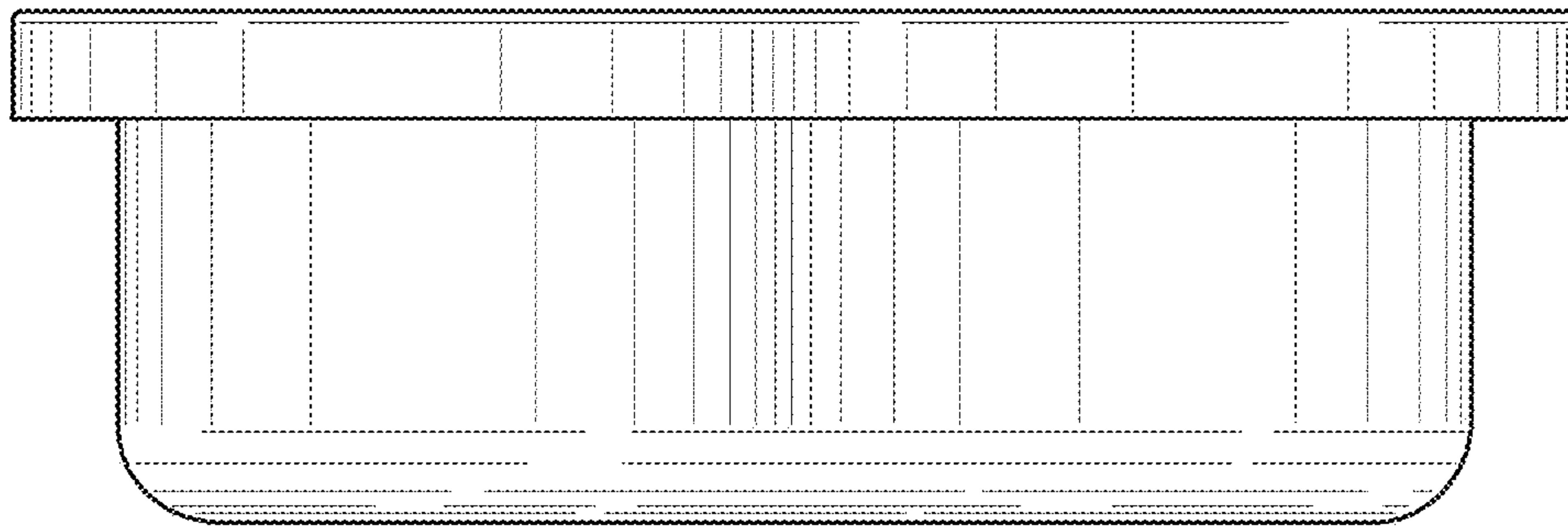


Fig. 12

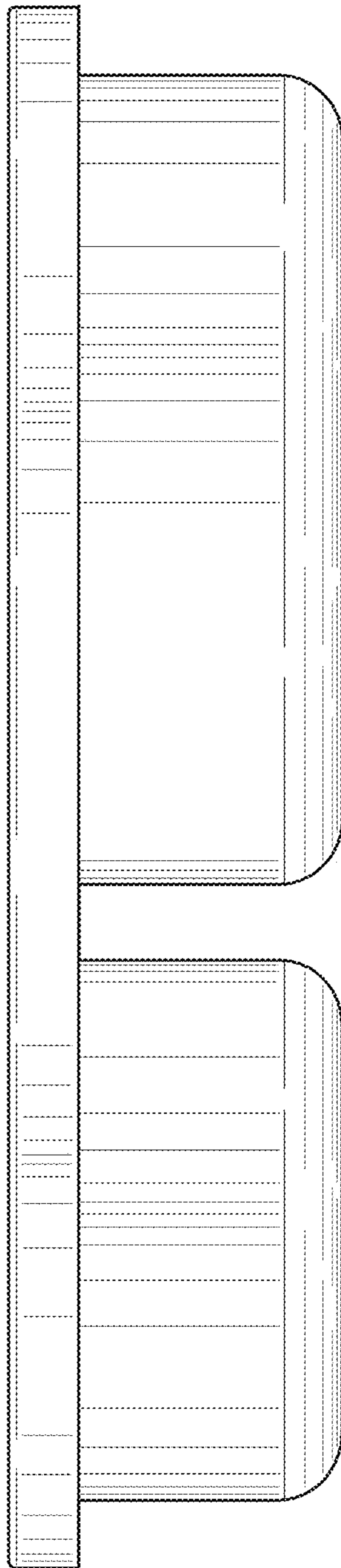


Fig. 13

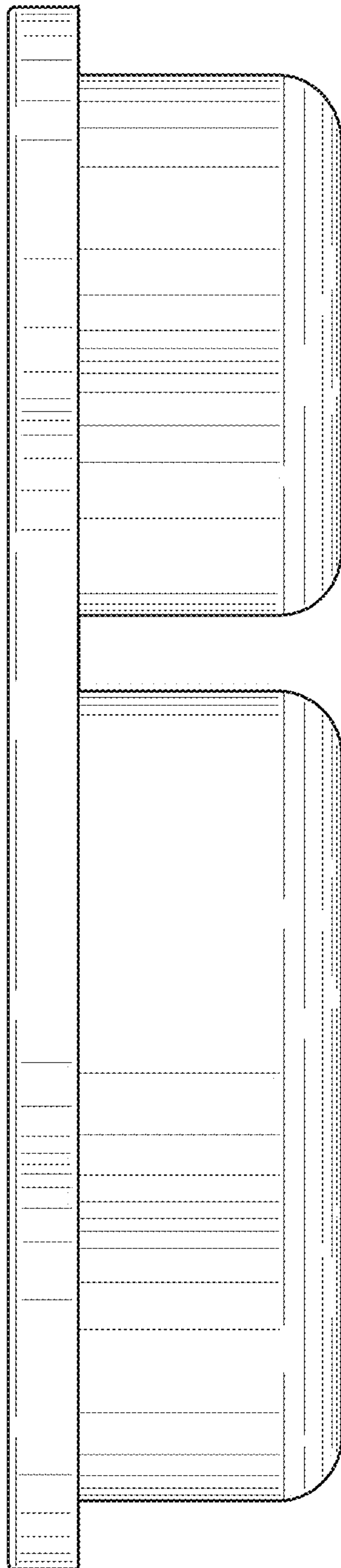


Fig. 14

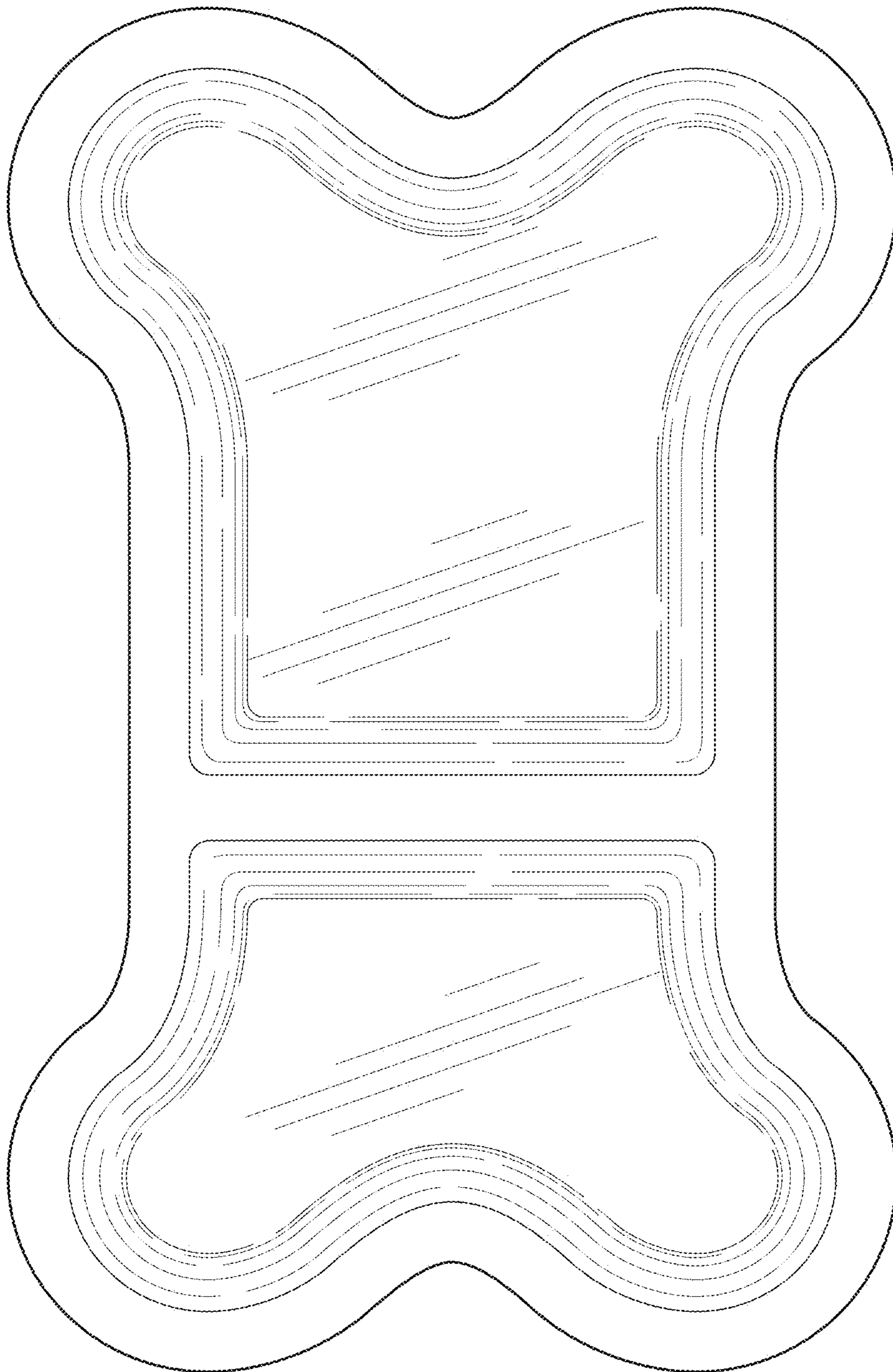


Fig. 15

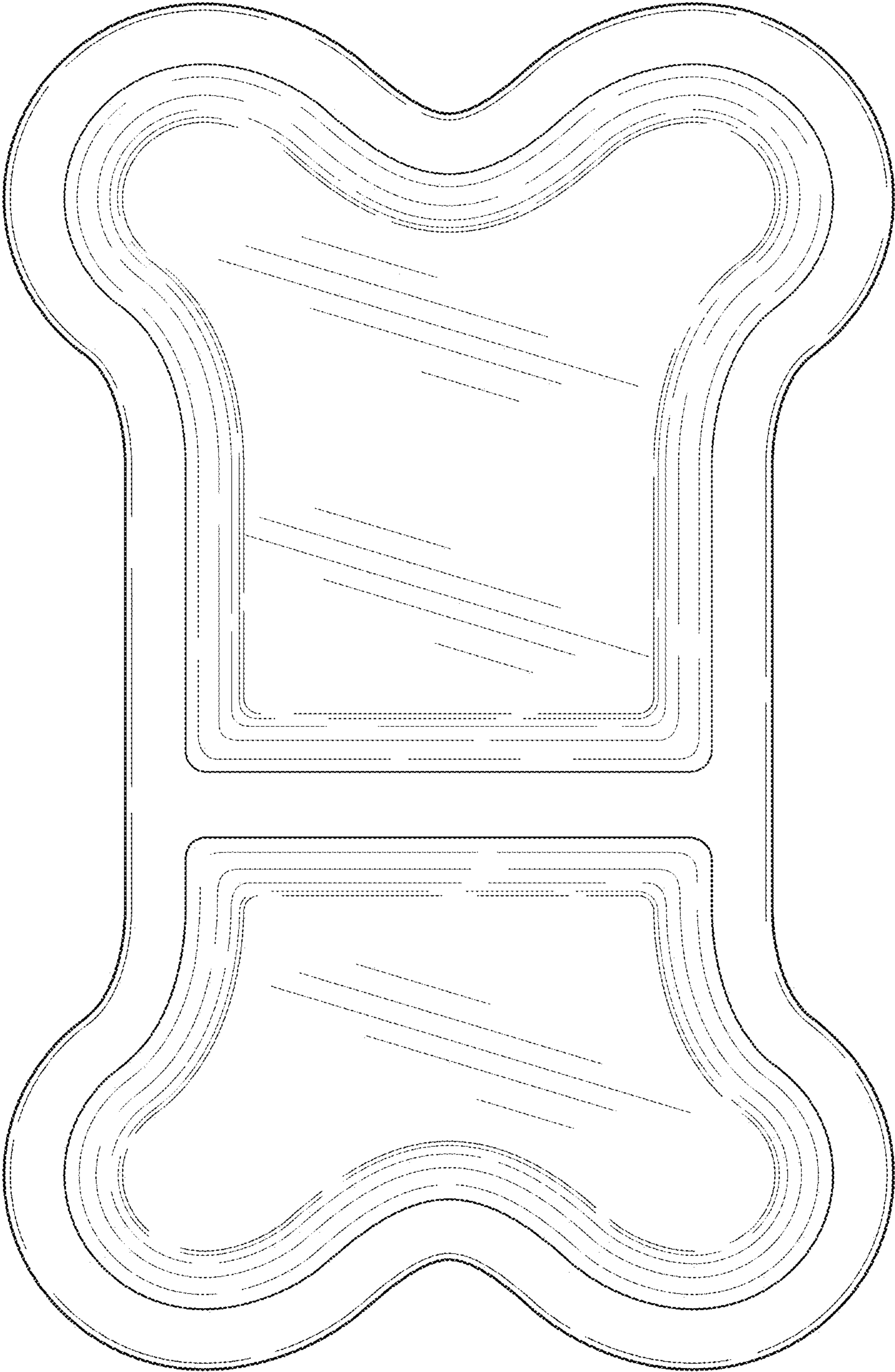


Fig. 16

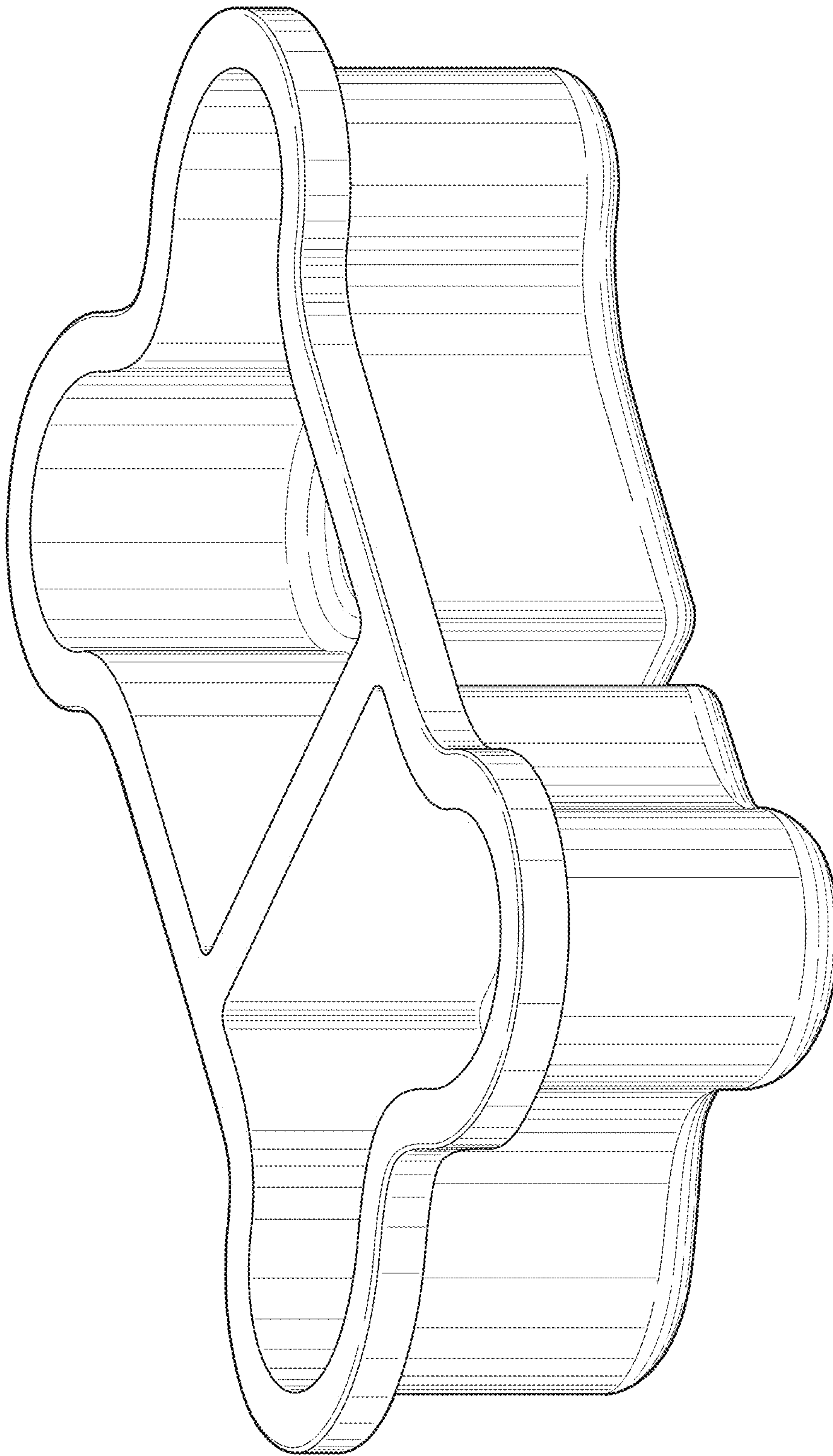


Fig.17

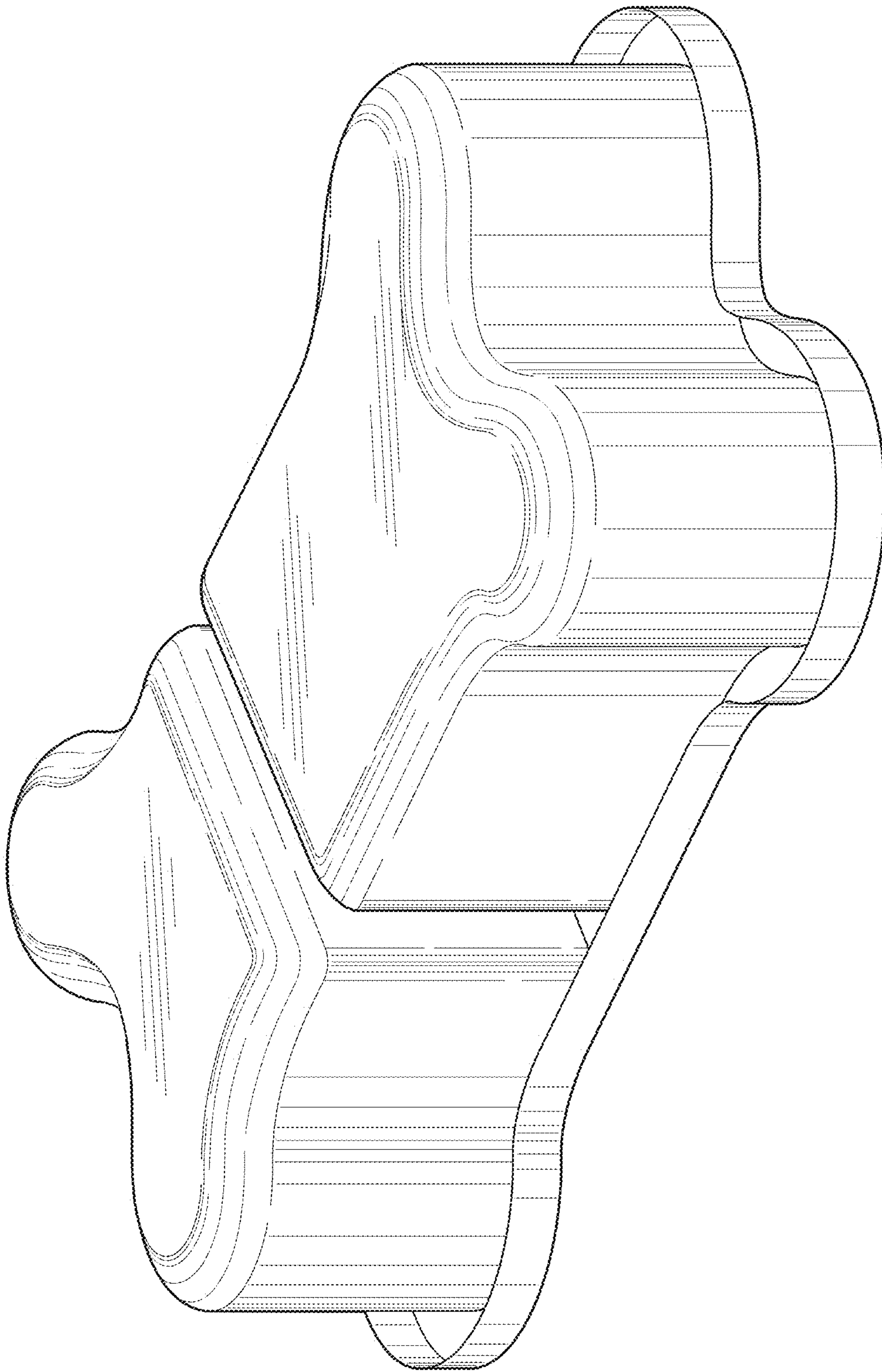


Fig. 18

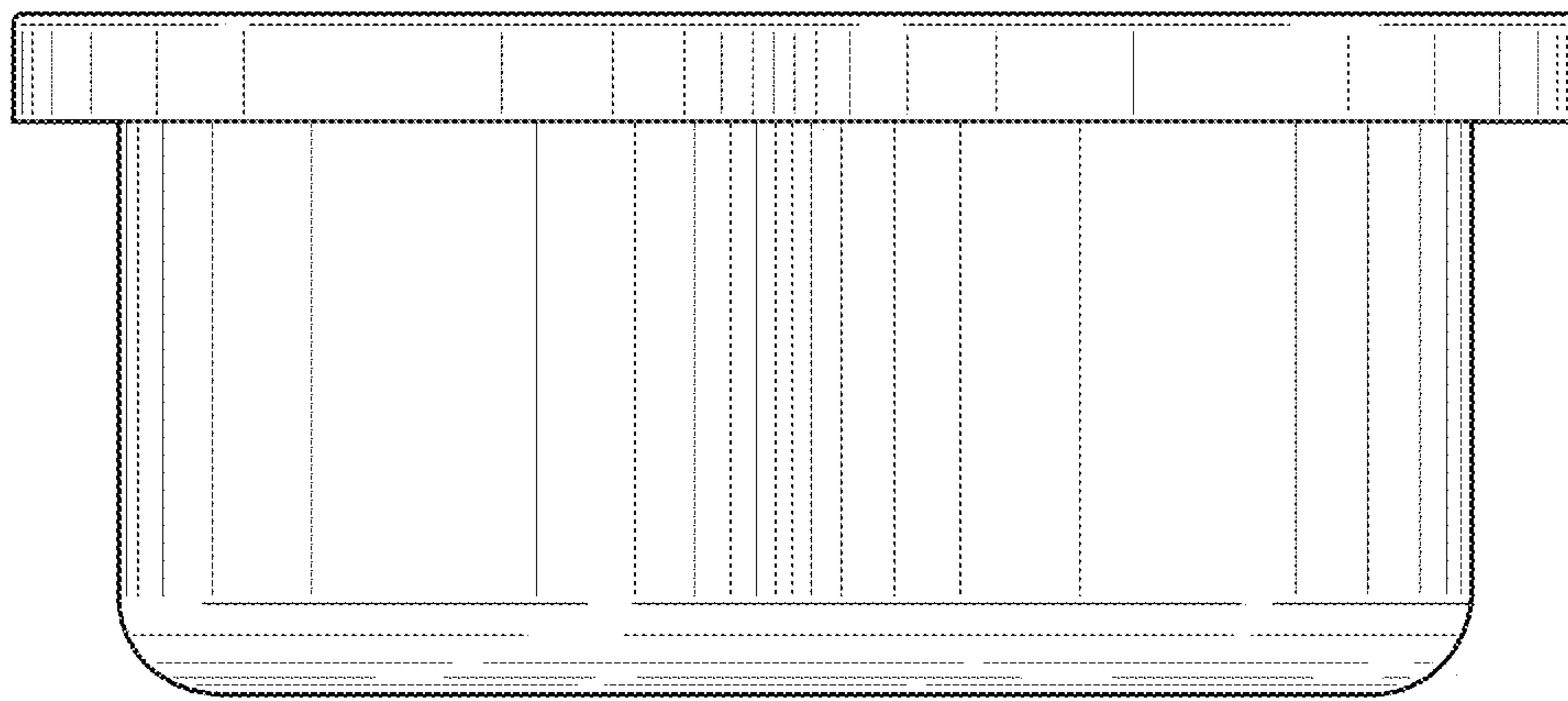


Fig. 19

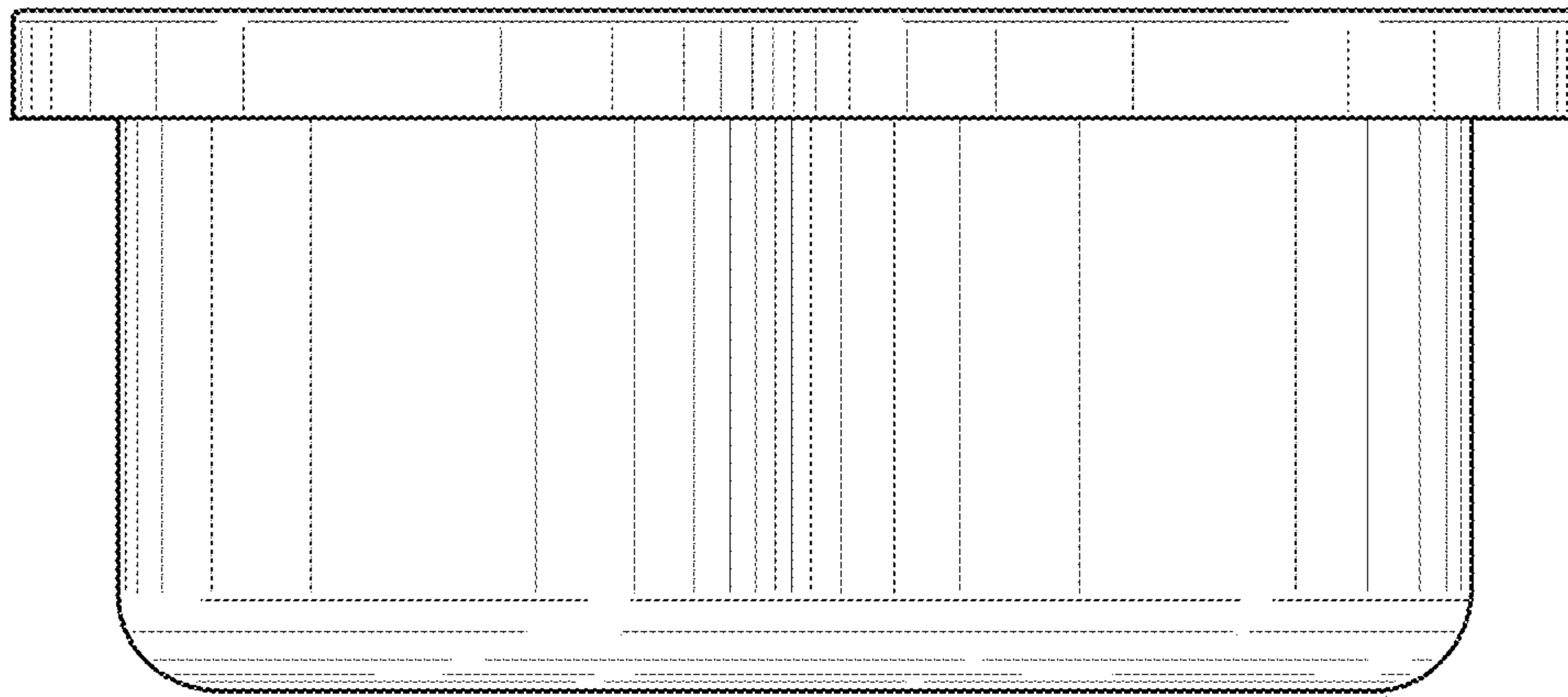


Fig.20

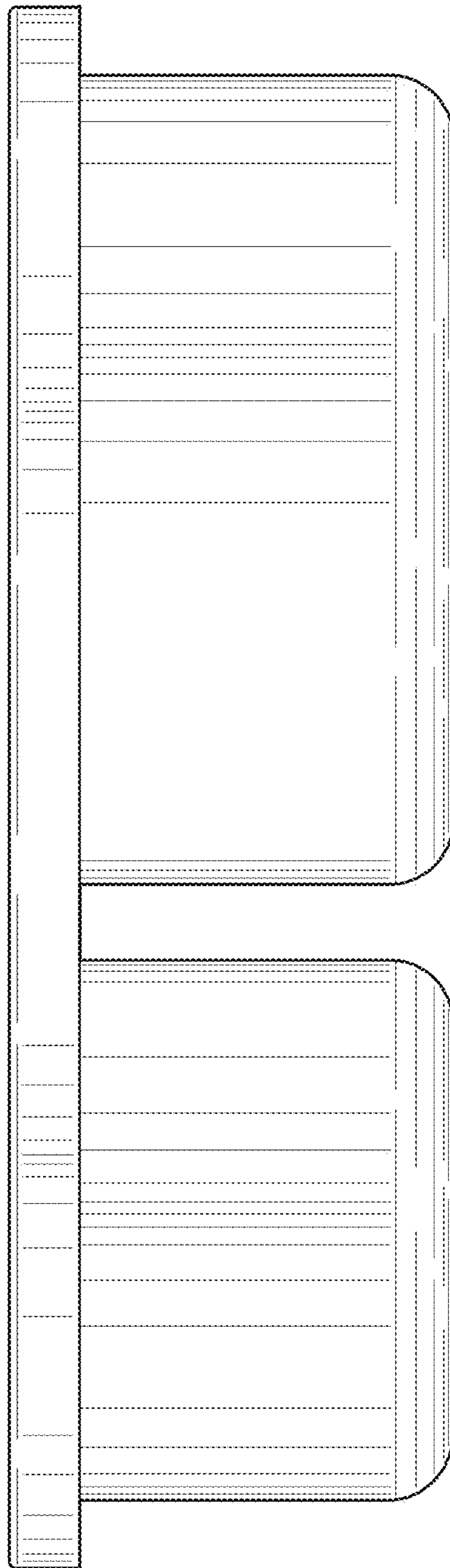


Fig.21

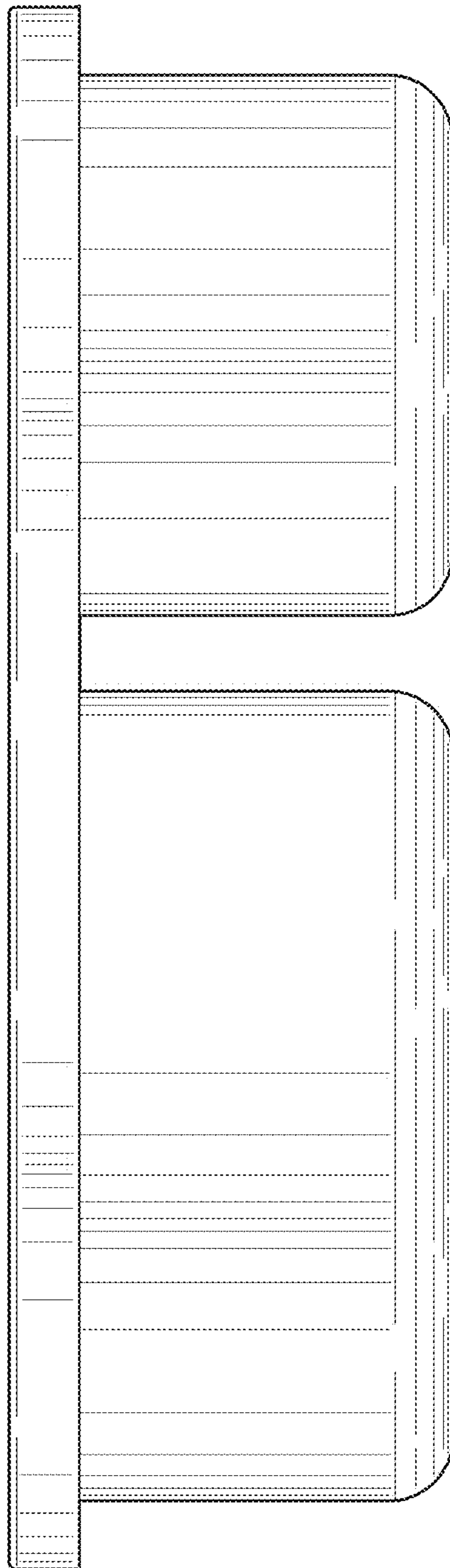


Fig.22

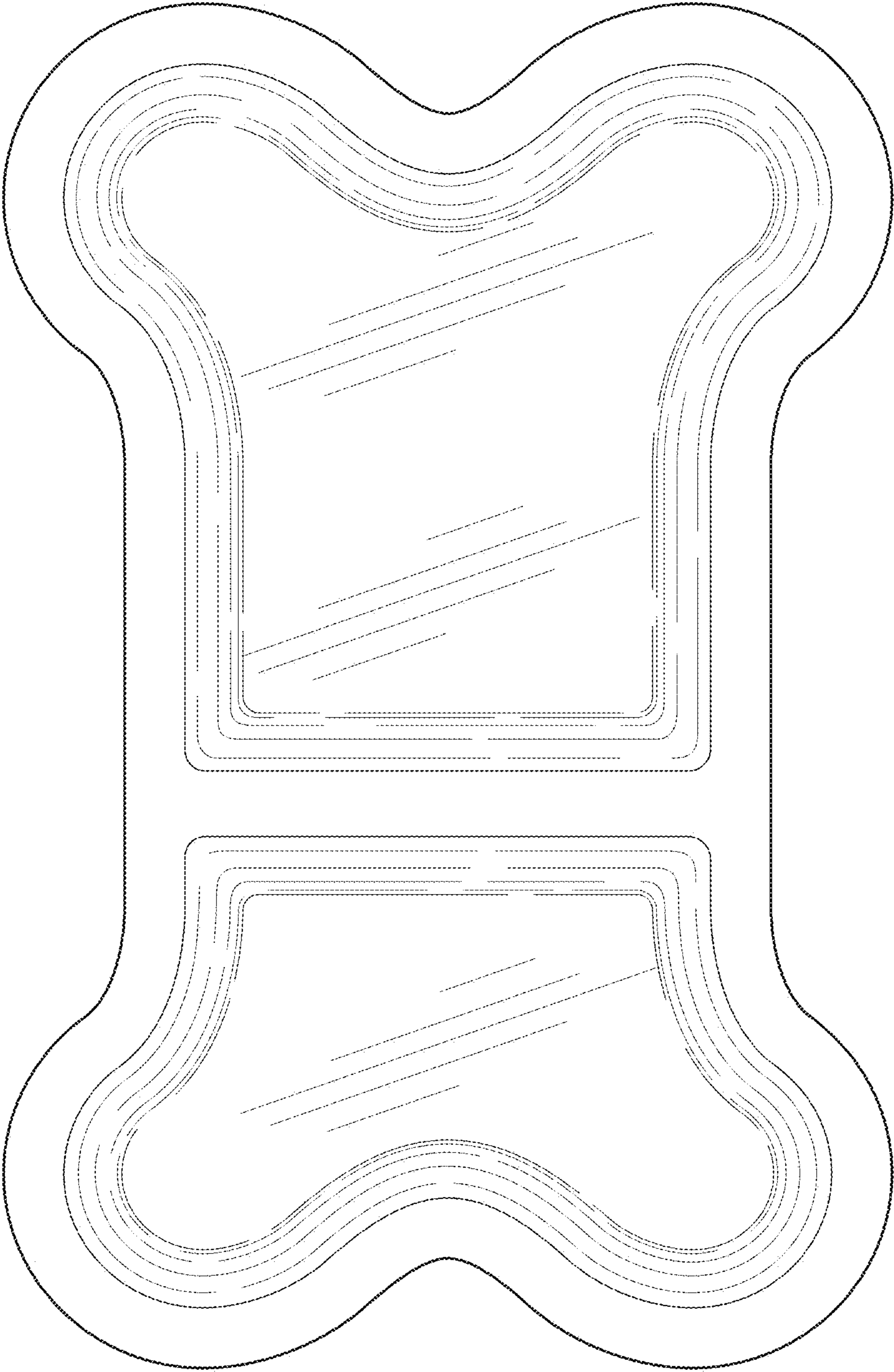


Fig.23

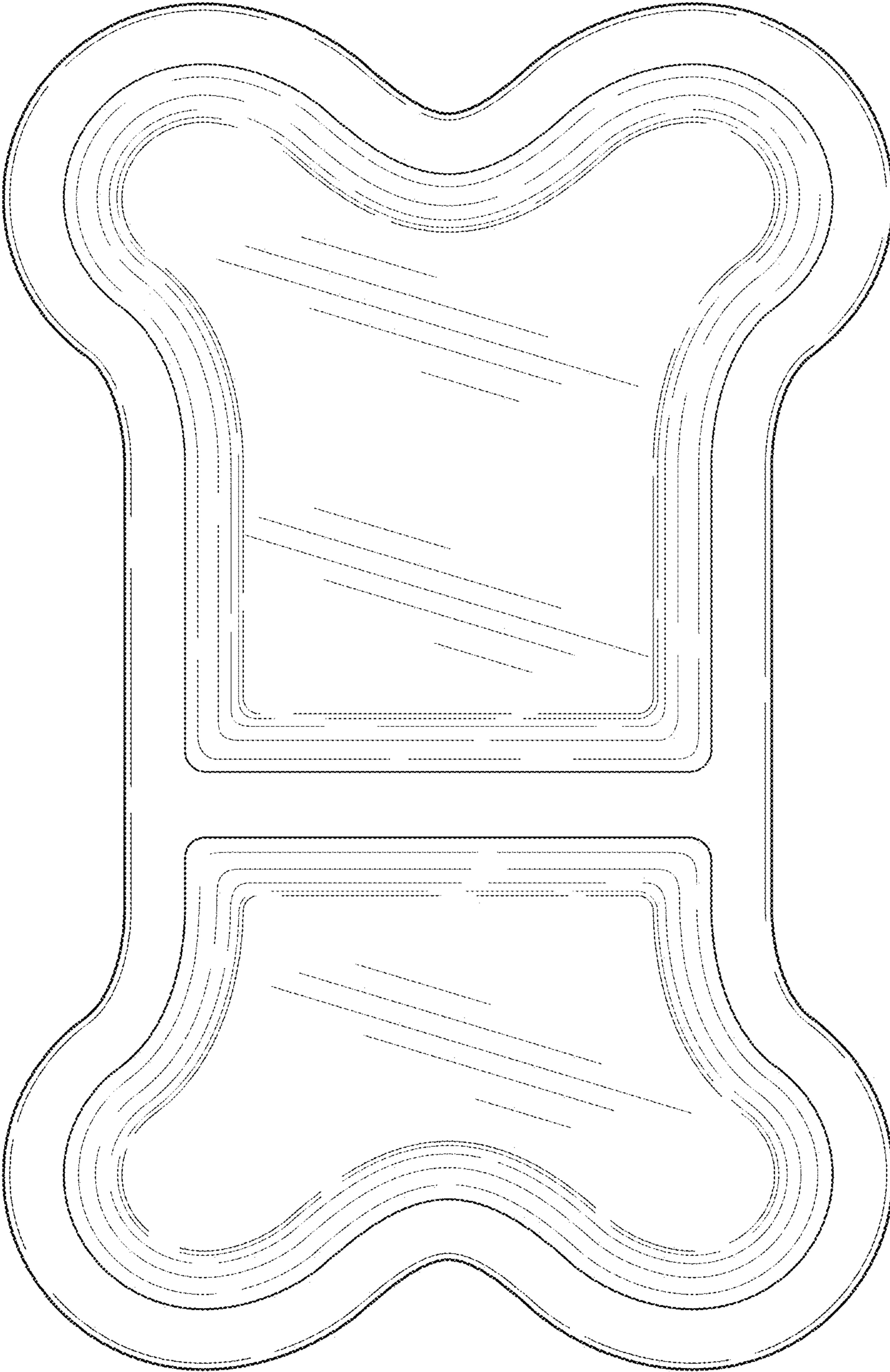


Fig.24