



US00D986682S

(12) **United States Design Patent** (10) **Patent No.:** **US D986,682 S**
Lee (45) **Date of Patent:** **** May 23, 2023**

(54) **DRINKING FLASK**
(71) Applicant: **Dart Industries Inc.**, Orlando, FL (US)
(72) Inventor: **Hsiao Fong Lee**, Singapore (SG)
(73) Assignee: **Dart Industries Inc.**, Orlando, FL (US)
(**) Term: **15 Years**

Assistant Examiner — Tia Ruth-Renee Polidori
(74) *Attorney, Agent, or Firm* — Taylor J. Ross

(21) Appl. No.: **29/804,956**
(22) Filed: **Aug. 24, 2021**
(51) **LOC (14) Cl.** **07-01**
(52) **U.S. Cl.**
USPC **D7/511; D7/532**
(58) **Field of Classification Search**
USPC D7/507, 509, 510, 511, 531, 532, 523,
D7/533, 534, 535, 536, 392, 392.1, 396.1,
(Continued)

(57) **CLAIM**
The ornamental design for a drinking flask, as shown and described.

(56) **References Cited**
U.S. PATENT DOCUMENTS
D121,573 S * 7/1940 Lundy D7/532
D189,556 S * 1/1961 Wolf D9/558
(Continued)

DESCRIPTION

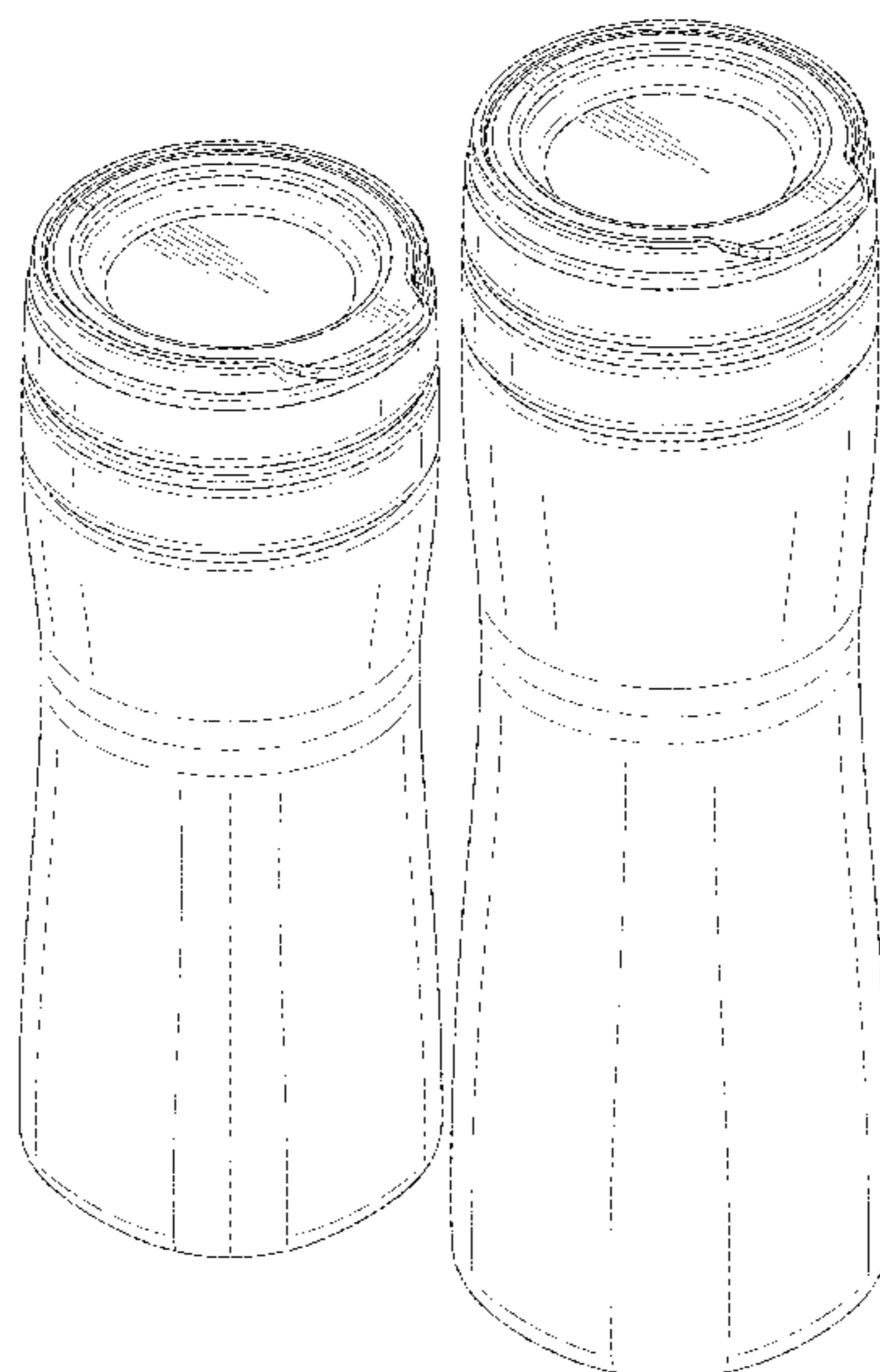
FIG. 1 is a top, front and right side isometric view of a first embodiment of a drinking flask showing my new design; FIG. 2 is a bottom, front and left side isometric view thereof; FIG. 3 is a top plan view thereof; FIG. 4 is a bottom plan view thereof; FIG. 5 is a right side elevation view, the left side being a mirror image thereof; FIG. 6 is a front elevation view thereof; FIG. 7 is a rear elevation view thereof; FIG. 8 is a cross-sectional view taken along line 8-8 of FIG. 3; FIG. 9 is a cross-sectional view taken along line 9-9 of FIG. 3; FIG. 10 is a top, front and right side isometric view of a second embodiment of a drinking flask showing my new design; FIG. 11 is a bottom, front and left side isometric view thereof; FIG. 12 is a top plan view thereof; FIG. 13 is a bottom plan view thereof; FIG. 14 is a right side elevation view, the left side being a mirror image thereof; FIG. 15 is a front elevation view thereof; FIG. 16 is a rear elevation view thereof; FIG. 17 is a cross-sectional view taken along line 17-17 of FIG. 12; and, FIG. 18 is a cross-sectional view taken along line 18-18 of FIG. 12.
The portions of the drinking flask shown in broken lines form no part of the claimed design.

FOREIGN PATENT DOCUMENTS
CN 303788151 * 8/2016
CN 305549353 * 1/2020
(Continued)

OTHER PUBLICATIONS
Contigo [online] URL: <https://www.bedbathandbeyond.com/store/product/contigo-west-loop-16-oz-stainless-steel-insulated-tumbler/5719649> (site visited: Nov. 4, 2022) (Year: 2020).*
(Continued)

Primary Examiner — Jae Liang

1 Claim, 13 Drawing Sheets



(58) **Field of Classification Search**

USPC D7/396.2, 300.1, 608, 900; D3/202;
D9/716, 719
CPC A47G 19/22; A47G 19/2288; A47G
19/2205; A47J 41/0077; A47J 41/0088
See application file for complete search history.

(56) **References Cited**

U.S. PATENT DOCUMENTS

D324,976 S * 3/1992 Katz D7/619.1
D340,836 S 11/1993 Cautereels
D357,414 S * 4/1995 Kornick D9/518
D437,229 S * 2/2001 Andrew D9/516
D518,380 S * 4/2006 Moran D9/502
D521,383 S * 5/2006 Priestman D28/76
D566,558 S * 4/2008 Bakic D9/503
D579,723 S * 11/2008 Williams D7/533
D586,182 S * 2/2009 Trombly D7/509
D615,352 S * 5/2010 Alviar D7/532
D615,359 S * 5/2010 George D7/510
D625,560 S * 10/2010 Olson D7/300.1
D627,196 S * 11/2010 George D7/510
D632,525 S * 2/2011 George D7/396.2
D637,914 S * 5/2011 Schoeneck D9/542
D640,505 S * 6/2011 George D7/510
D655,134 S * 3/2012 Gilbert D9/504
D667,269 S 9/2012 Pallotto
D688,520 S * 8/2013 Lin D7/300.1
D690,161 S * 9/2013 Garner D7/510
D723,335 S * 3/2015 Steel D7/509
D729,586 S * 5/2015 Nemeth D7/523
D732,972 S * 6/2015 Barroso Miana D9/688
D740,676 S * 10/2015 Brown D9/500
D746,691 S * 1/2016 Uchida D9/504
D751,894 S * 3/2016 Nordenskjöld D9/431
D766,655 S * 9/2016 Neace, Jr. D7/532
D766,721 S * 9/2016 Meador D9/500
D813,681 S * 3/2018 Burns D9/551
D833,889 S * 11/2018 Hurst D9/566
D838,140 S * 1/2019 Furneaux D7/532

D845,074 S * 4/2019 Gluck D7/532
D863,970 S * 10/2019 Dammers D9/560
D878,160 S * 3/2020 Corbet D7/532
D888,563 S * 6/2020 Smith D9/500
D925,973 S 7/2021 Yessin et al.
D932,924 S * 10/2021 Chupak D9/500
D940,510 S * 1/2022 Dean D7/608
D940,512 S * 1/2022 Dean D7/608
D940,513 S * 1/2022 Dean D7/608
D944,612 S * 3/2022 Brouillac D8/42
2015/0230651 A1* 8/2015 Molayem A47J 41/0044
99/322
2016/0157646 A1* 6/2016 Savenok B65D 47/043
220/592.17

FOREIGN PATENT DOCUMENTS

CN 305865284 * 6/2020
CN 305994043 * 8/2020
IN 356547-001-0001 * 3/2022
IN 356550-001-000 * 3/2022

OTHER PUBLICATIONS

BMW [online] URL: <https://www.shopbmwusa.com/product/15032/BMW-TRAVEL-TUMBLER> (site visited: Nov. 4, 2022) (Year: 2022).*

Cauldryn [online] URL: <https://www.amazon.com/dp/B09B1BZHGD> (site visited: Nov. 4, 2022) (Year: 2022).*

Sistema [online] URL: <https://www.sistemaplastics.com/600ml-tritan-swift-bottle> (site visited: Nov. 4, 2022) (Year: 2022).*

Mosi [online] URL: https://mositea.com/products/cold-brew-infuser?utm_campaign=performance-max2-sol&utm_source=google&utm_medium=cpc&utm_matchtype=&utm_term=&adgroupid=&gclid=EA1a1QobChMI_Z7eto_fm_AIVEITich16vQB5EakYASABEgLAGfD_BwE&variant=40596374061231 (site visited: Jan. 26, 2023) (Year: 2022).*

Adagio [online] URL: <https://www.adagio.com/teaware/activiTEA.html> (site visited: Jan. 26, 2023) (Year: 2012).*

* cited by examiner

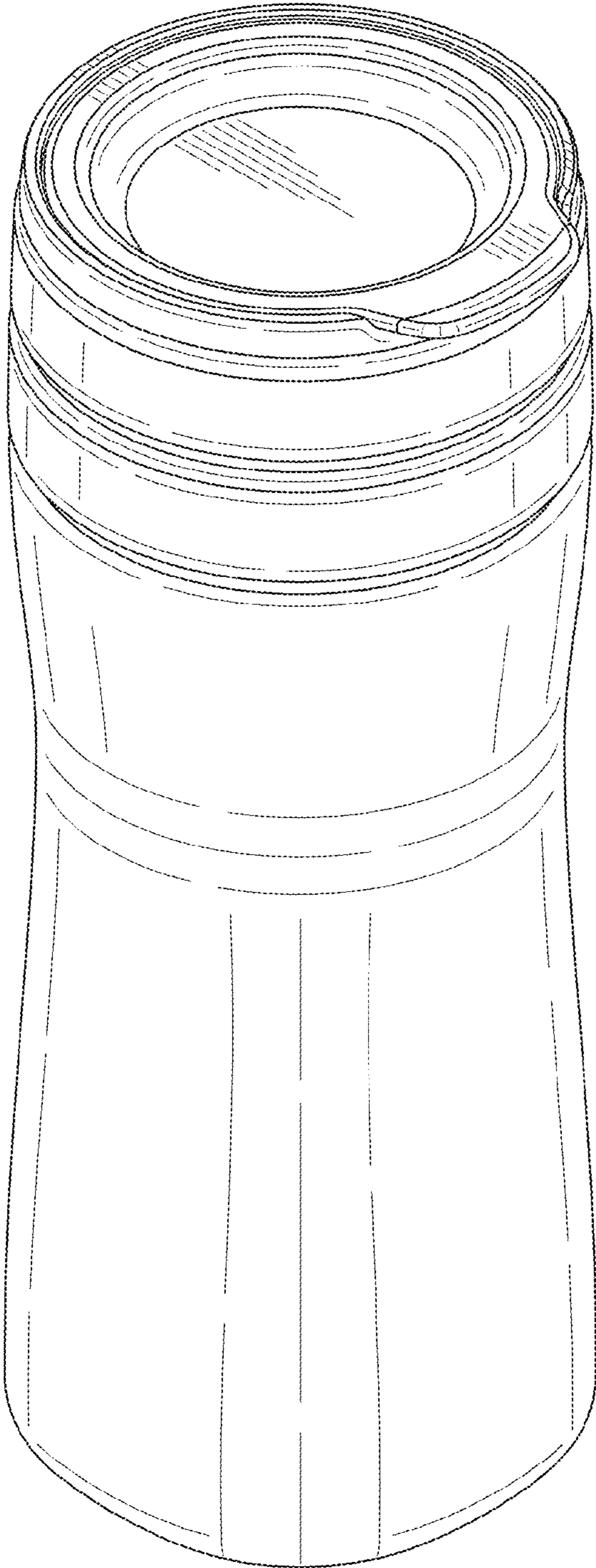


FIG. 2

FIG. 1

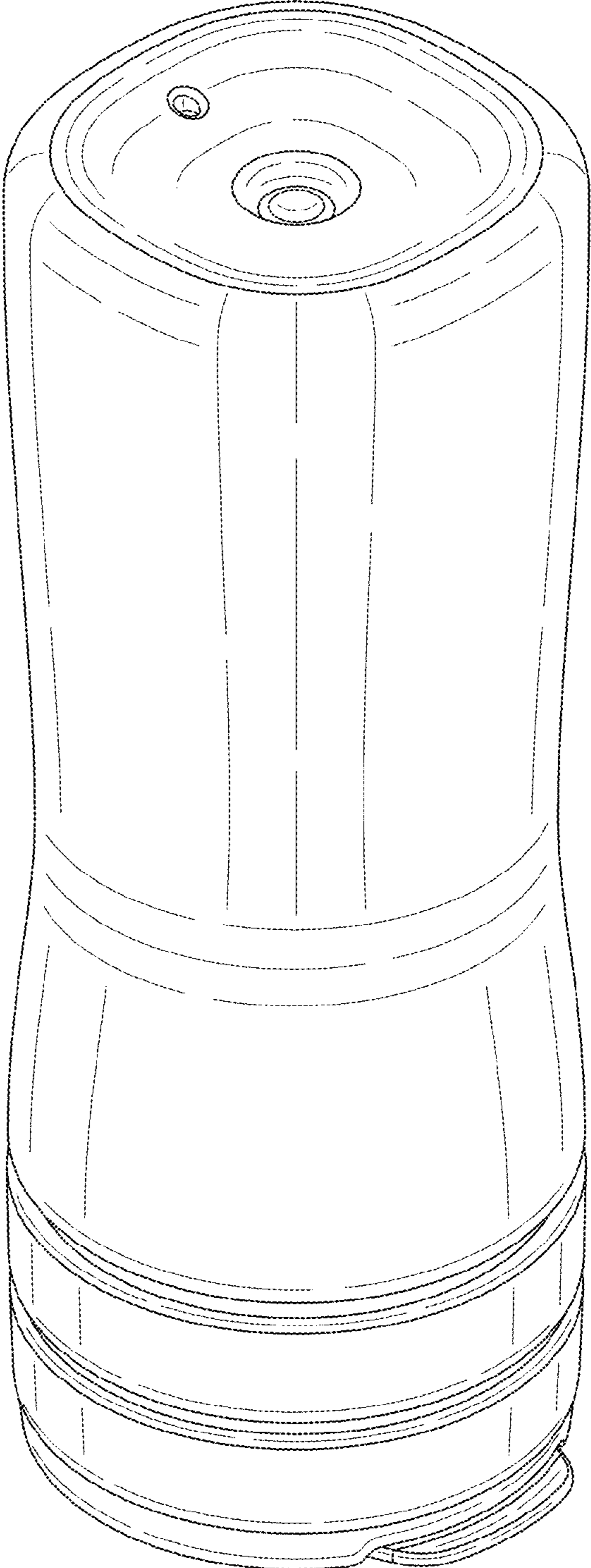


FIG. 3

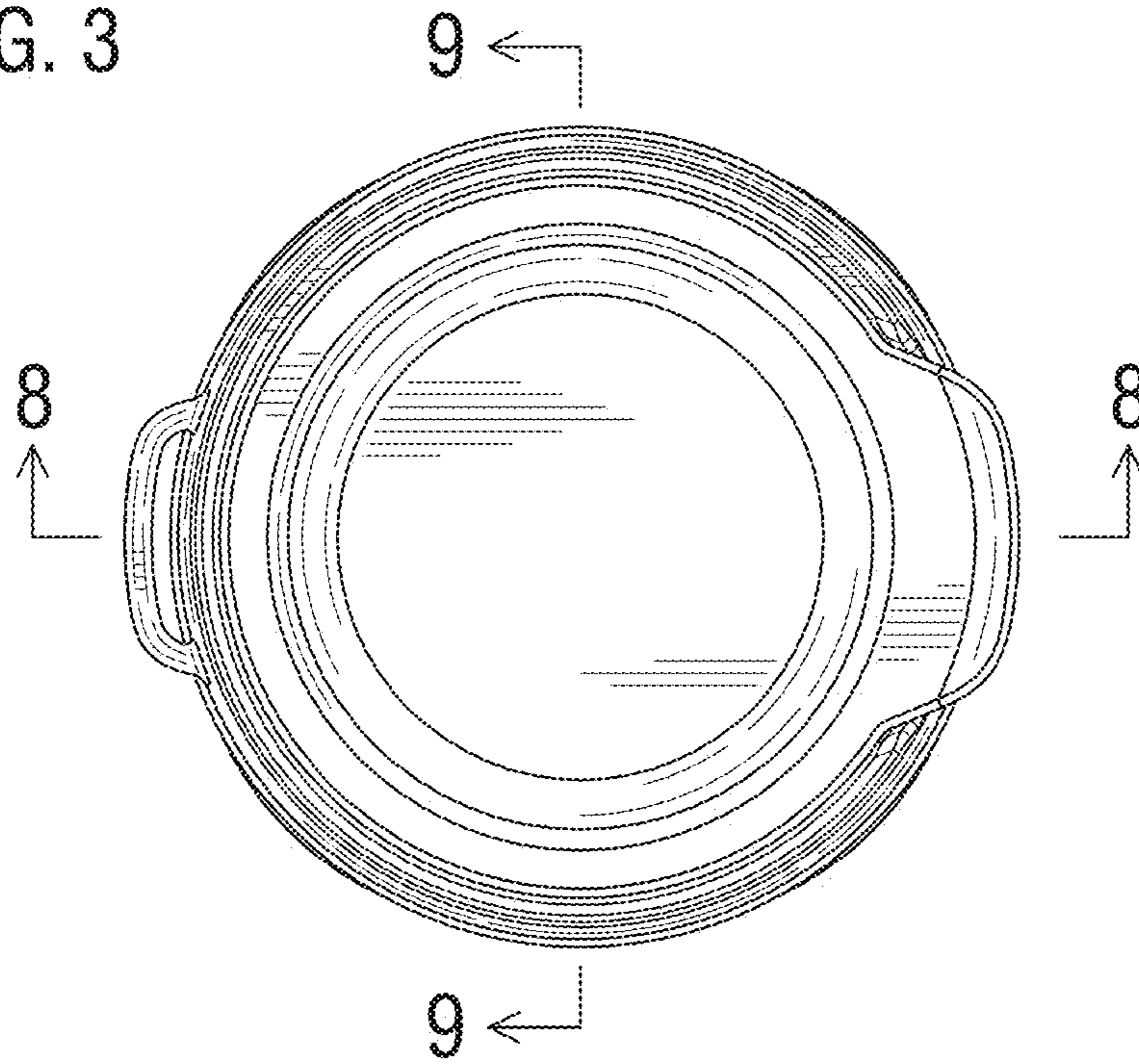


FIG. 4

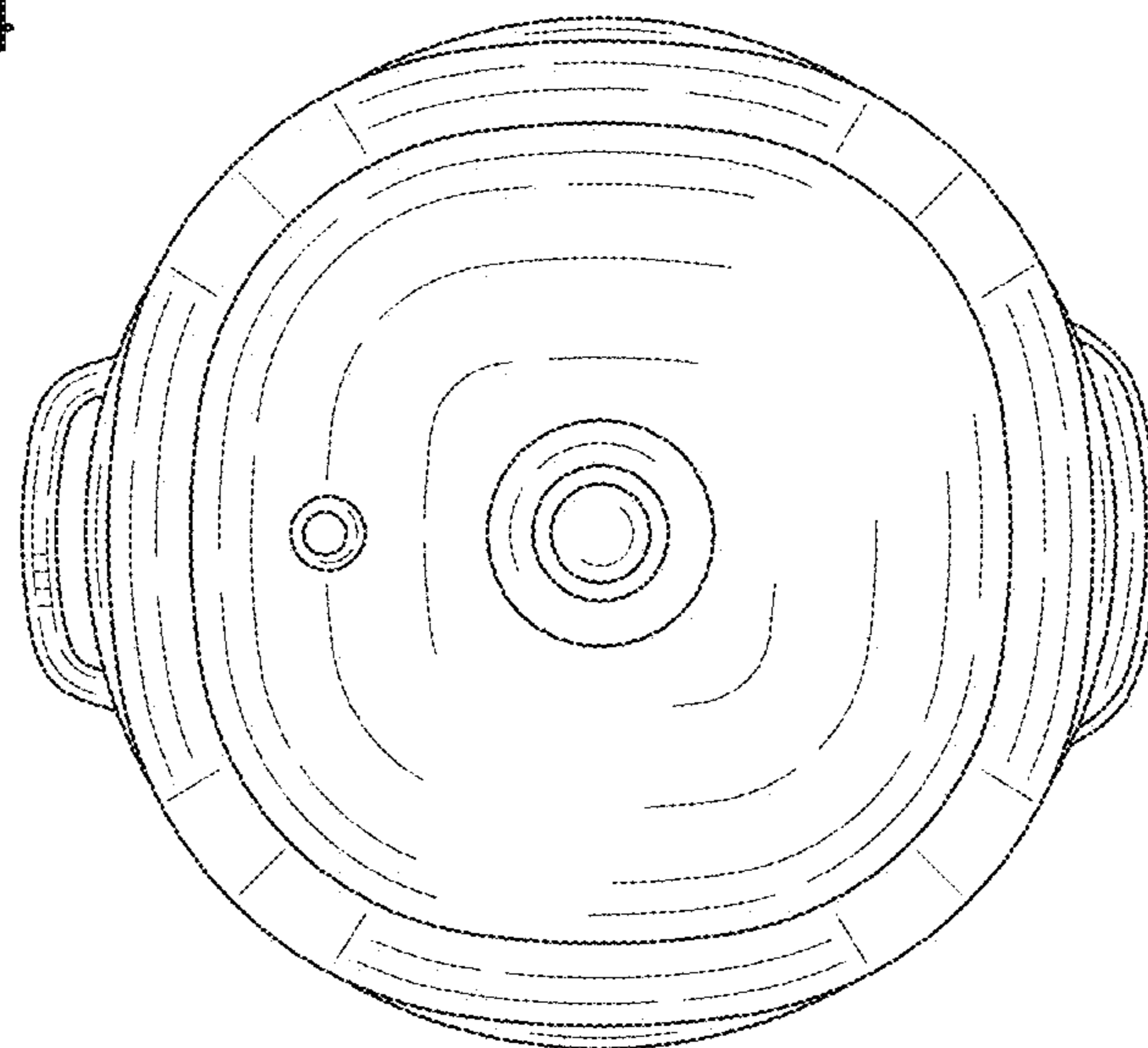
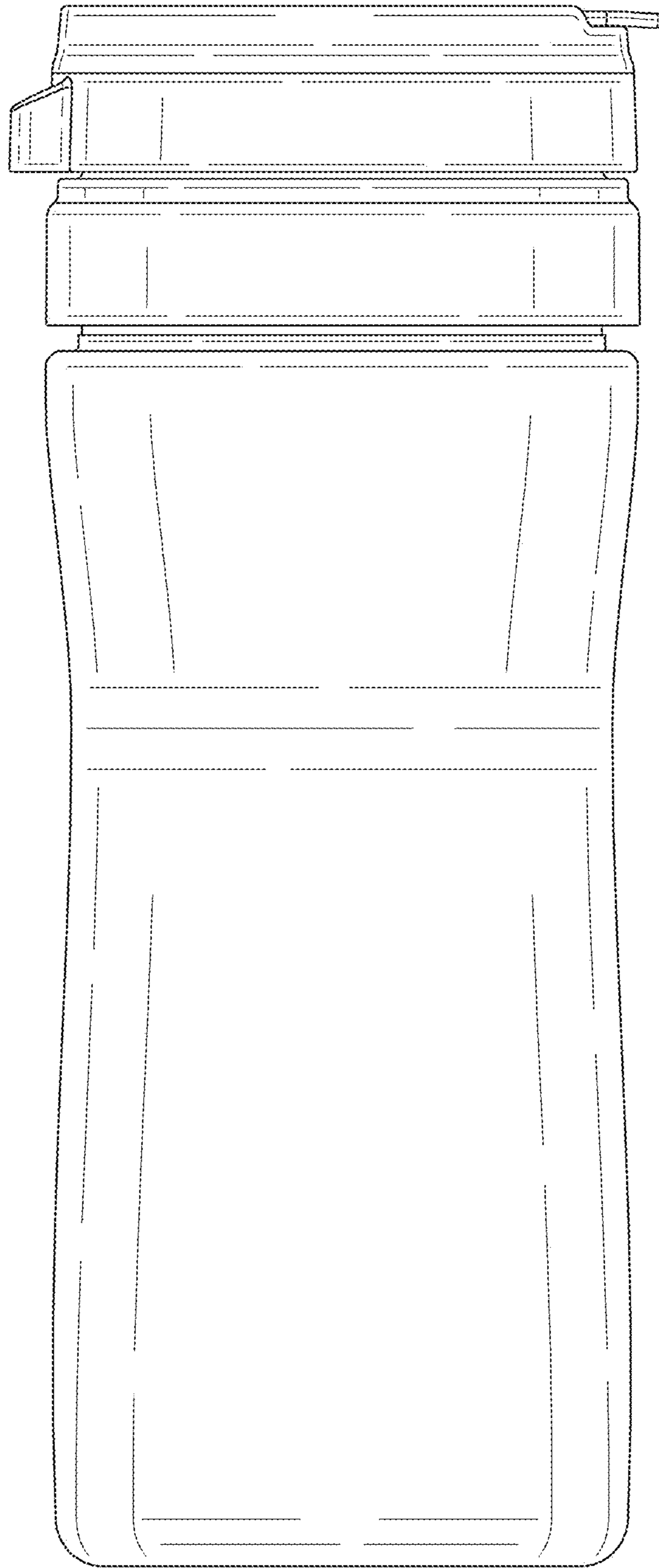


FIG. 5



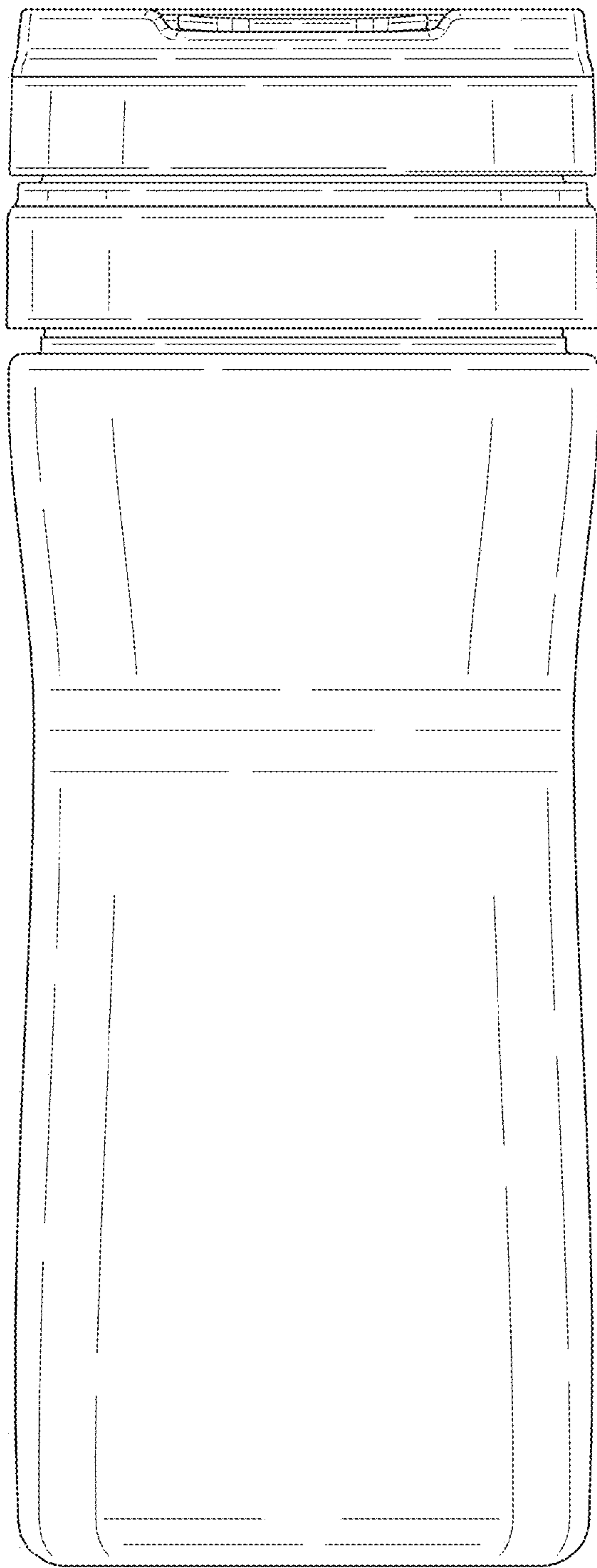
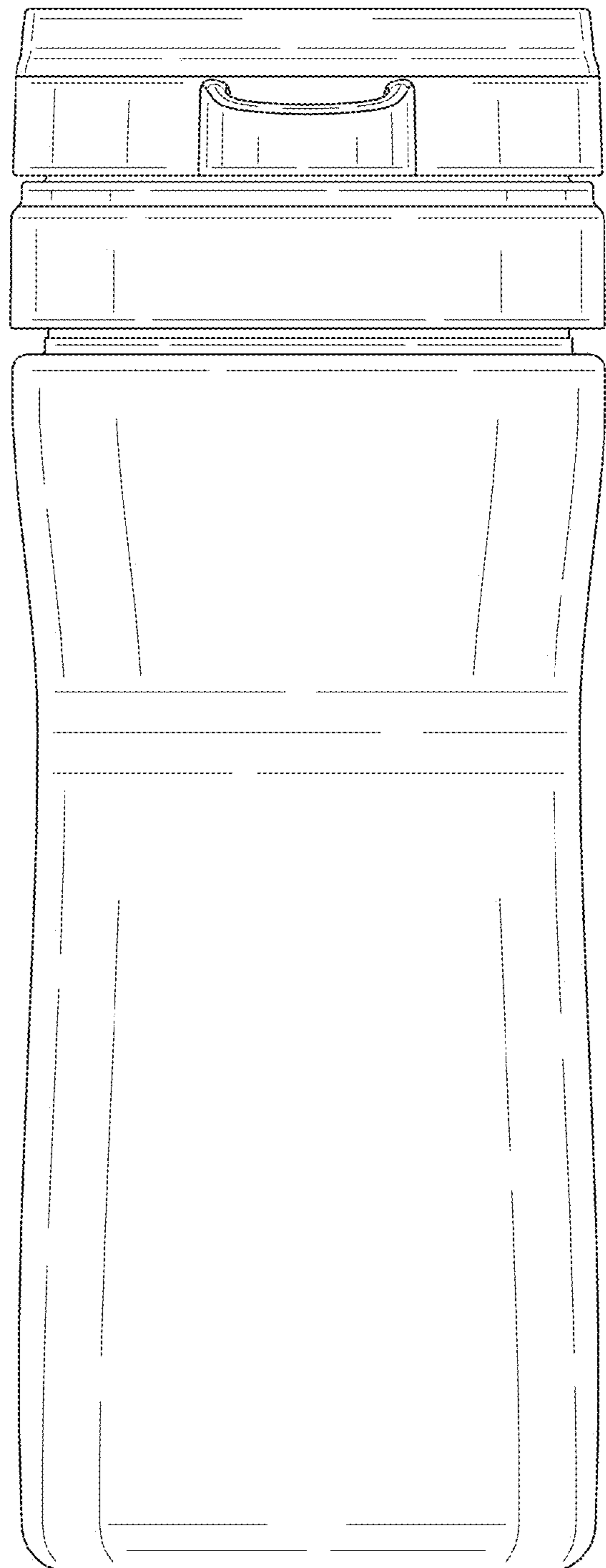


FIG. 7

FIG. 6



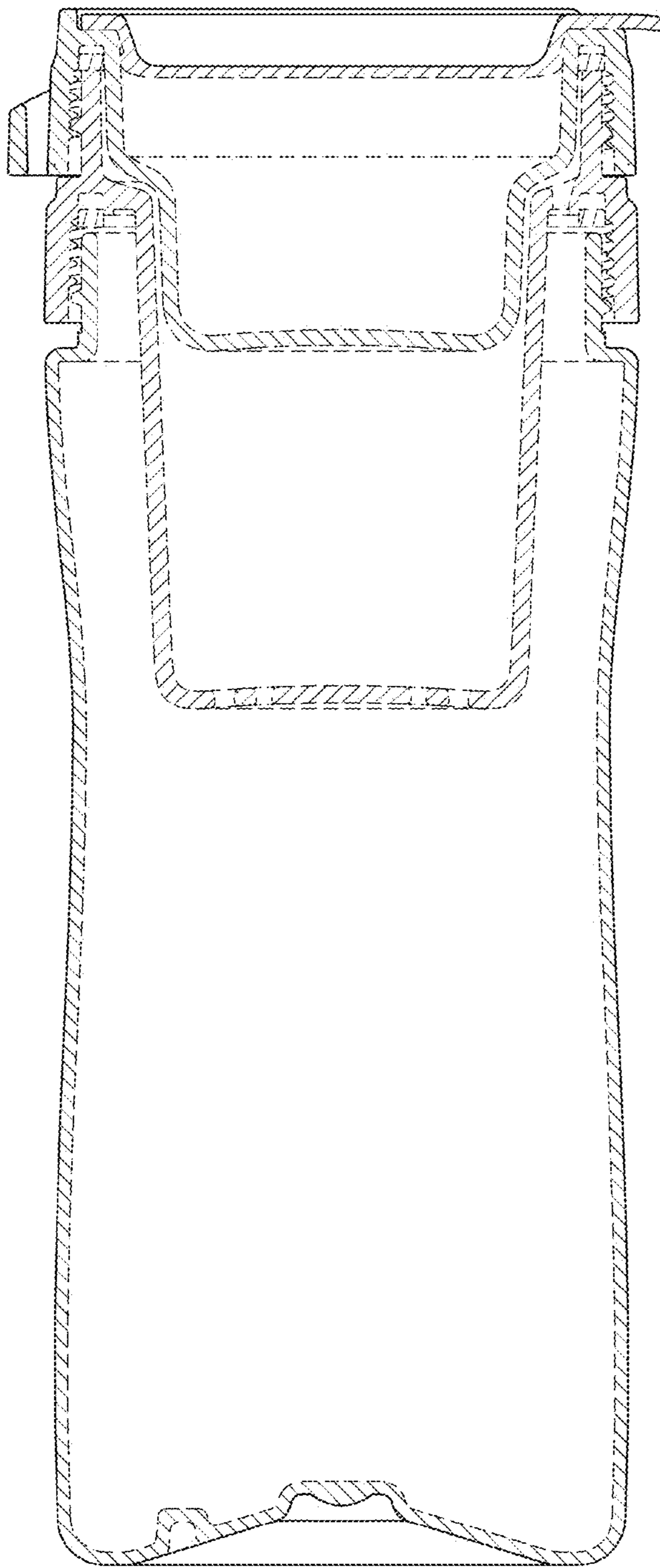


FIG. 9

FIG. 8

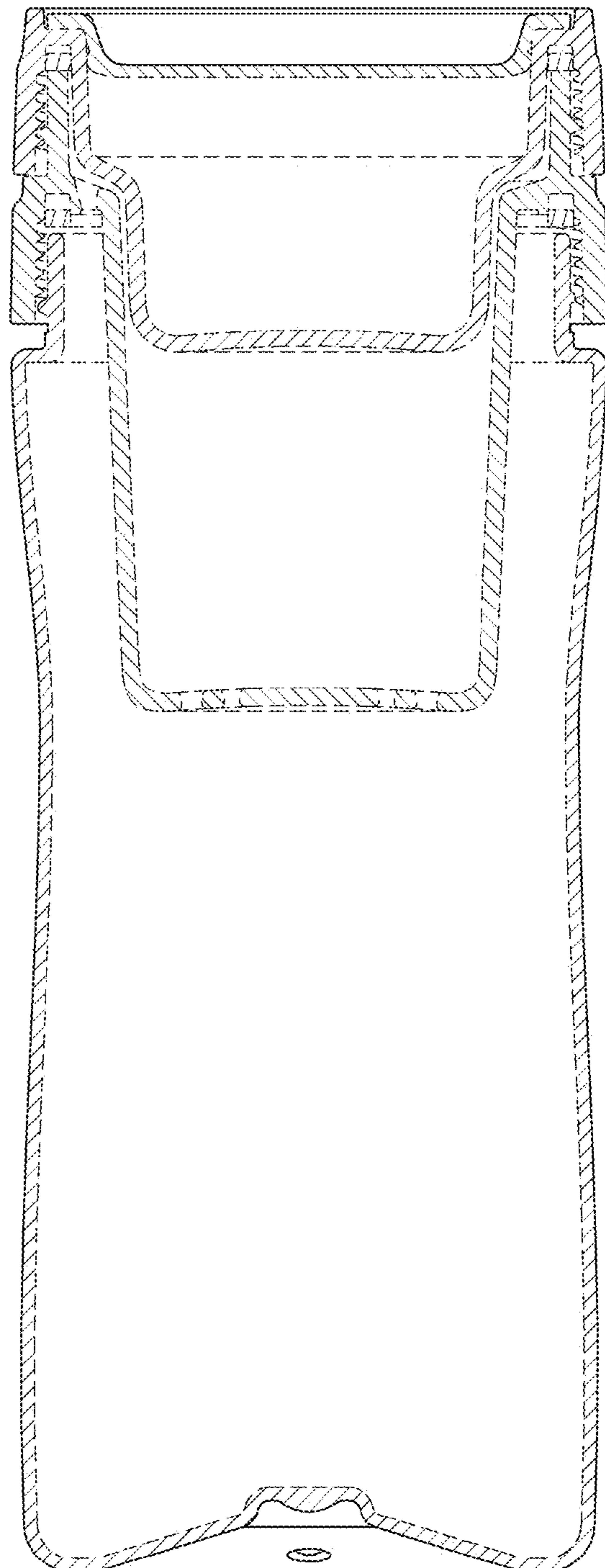


FIG. 10

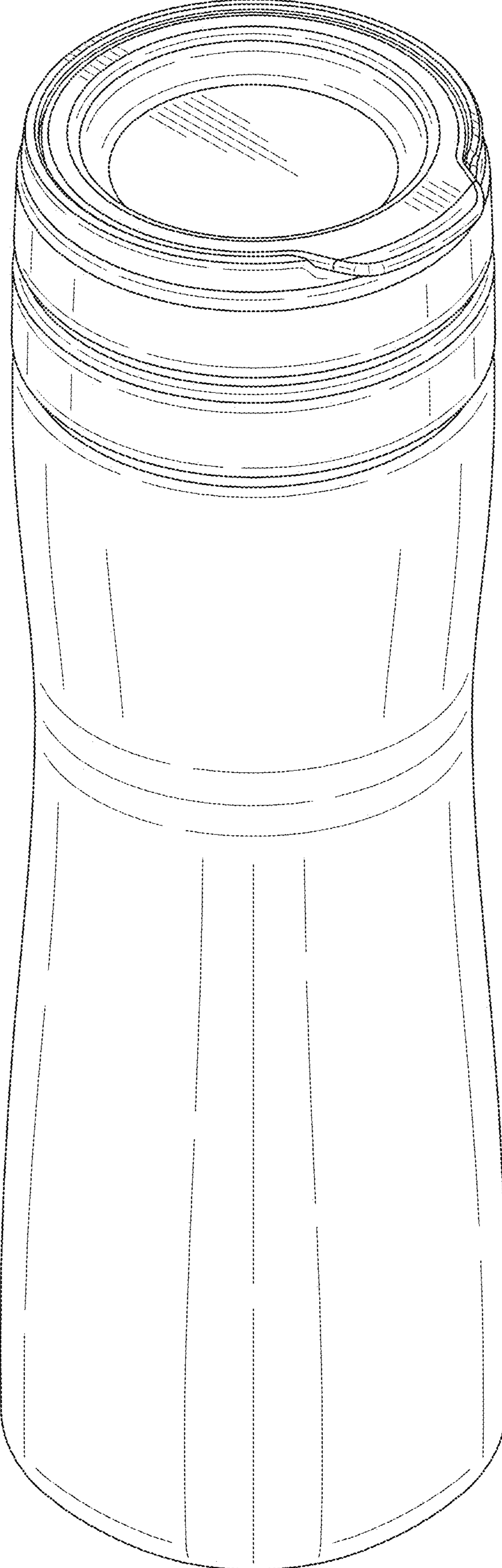


FIG. 11

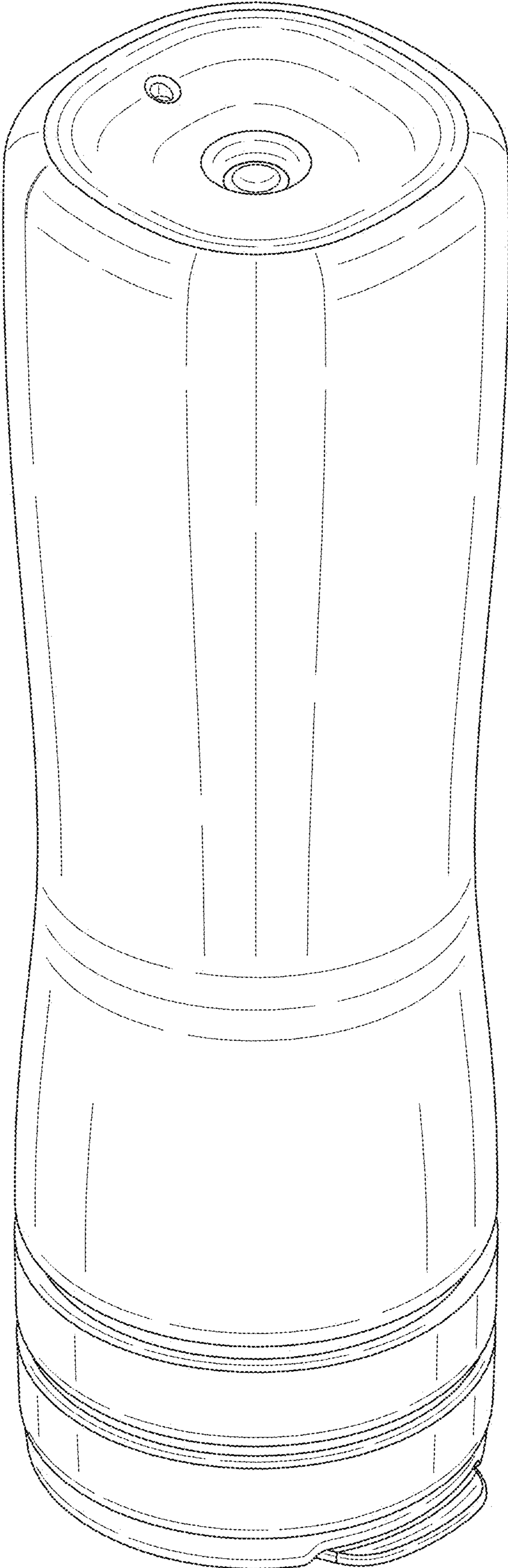


FIG. 12

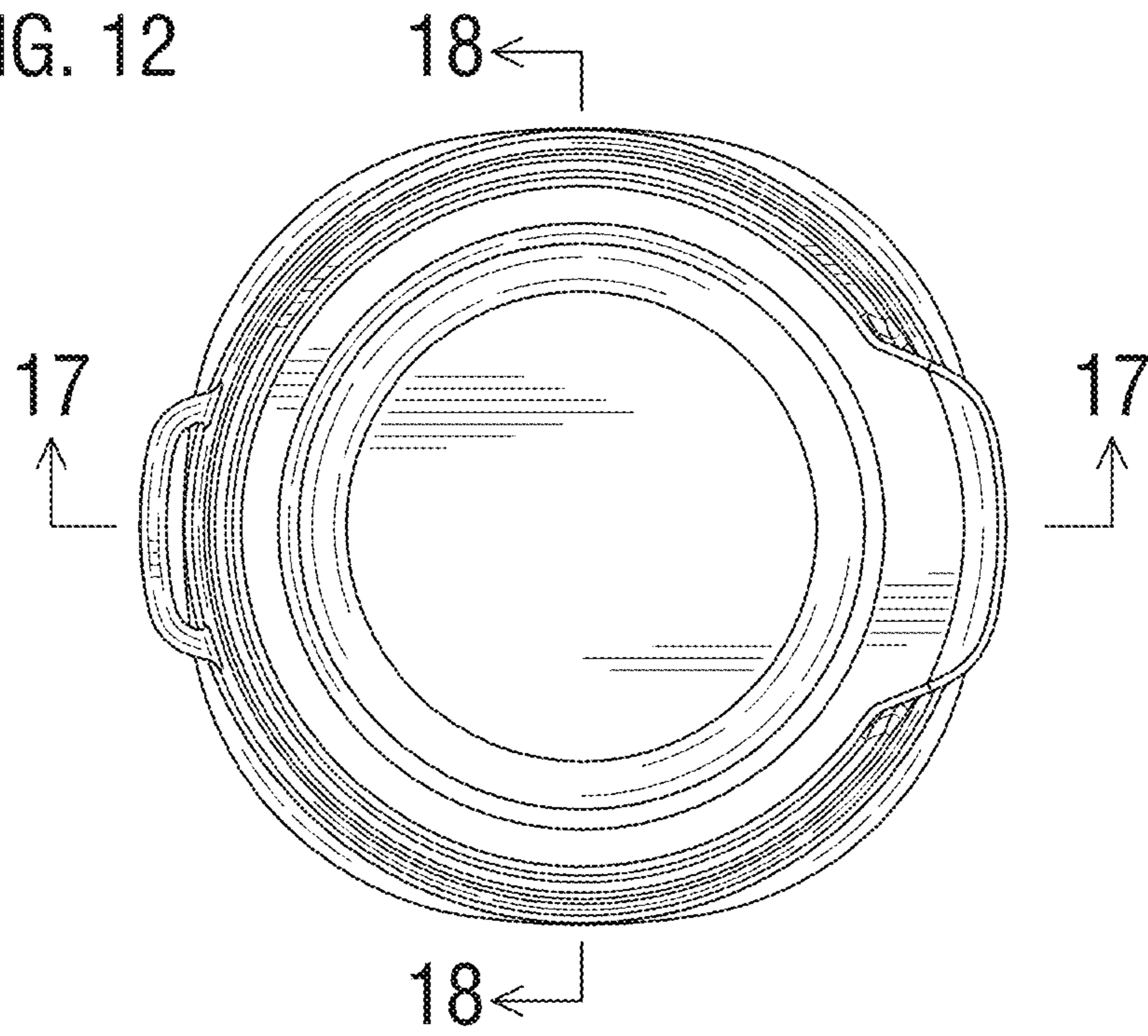


FIG. 13

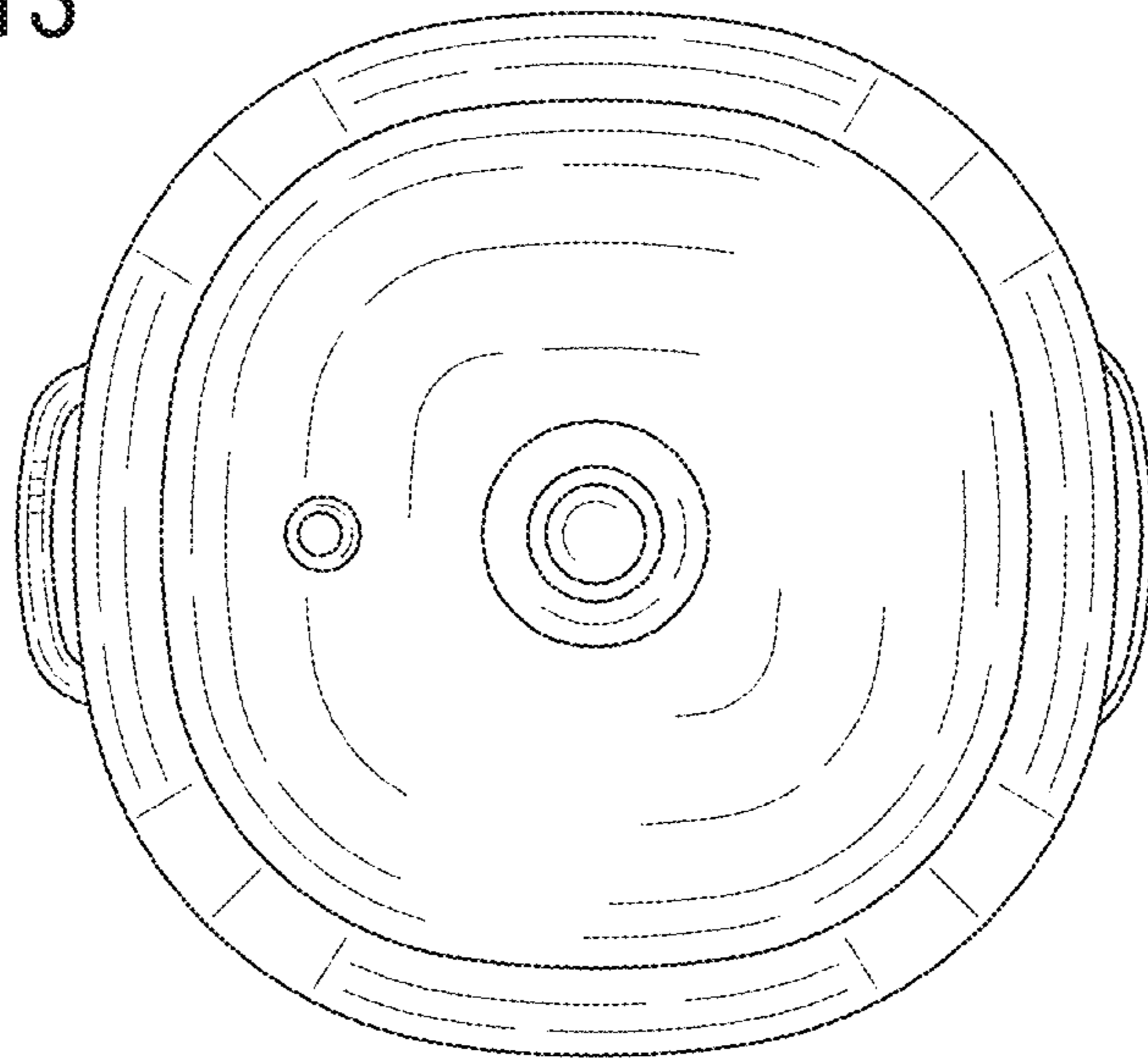


FIG. 14

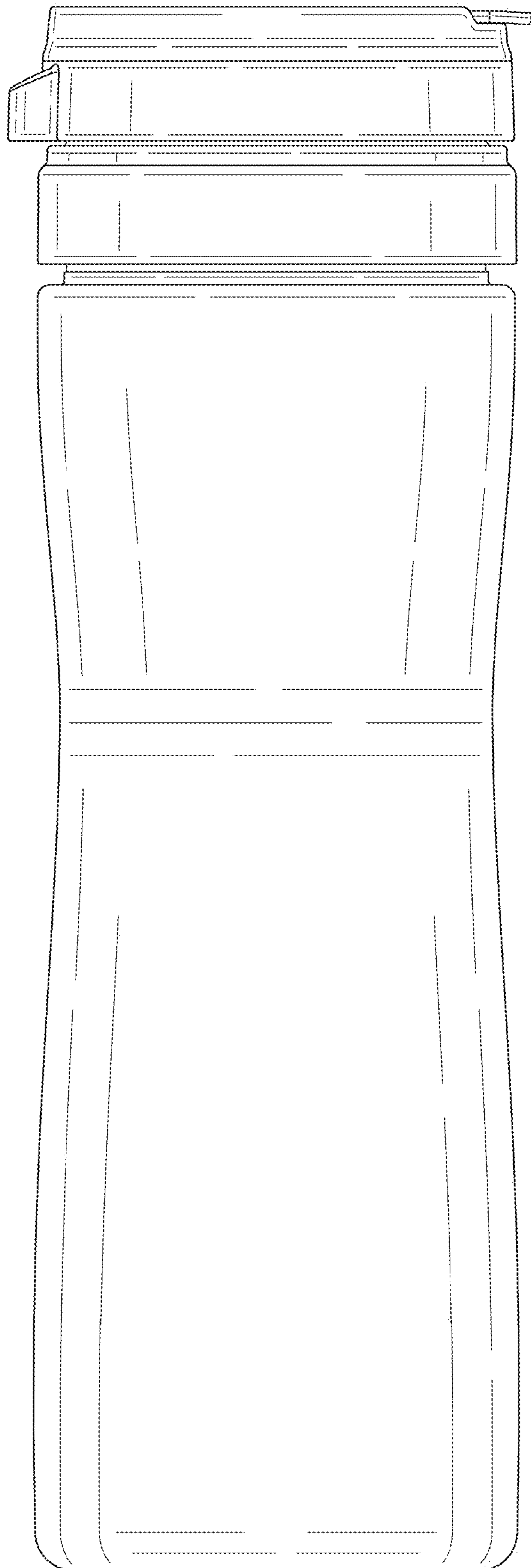


FIG. 15

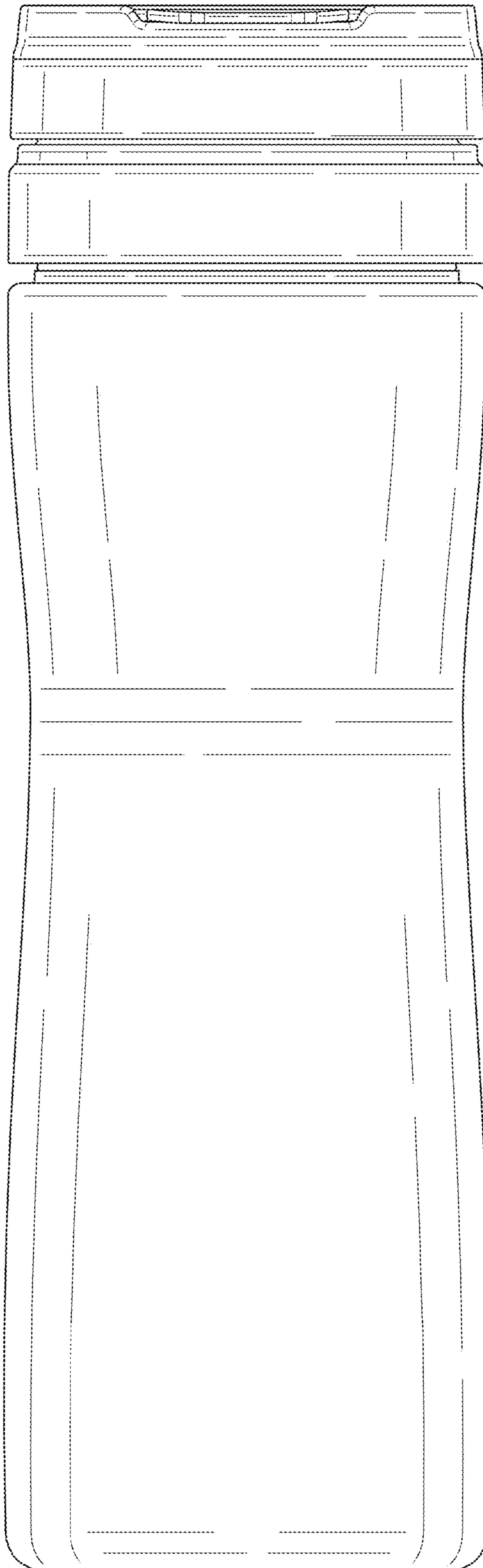


FIG. 16

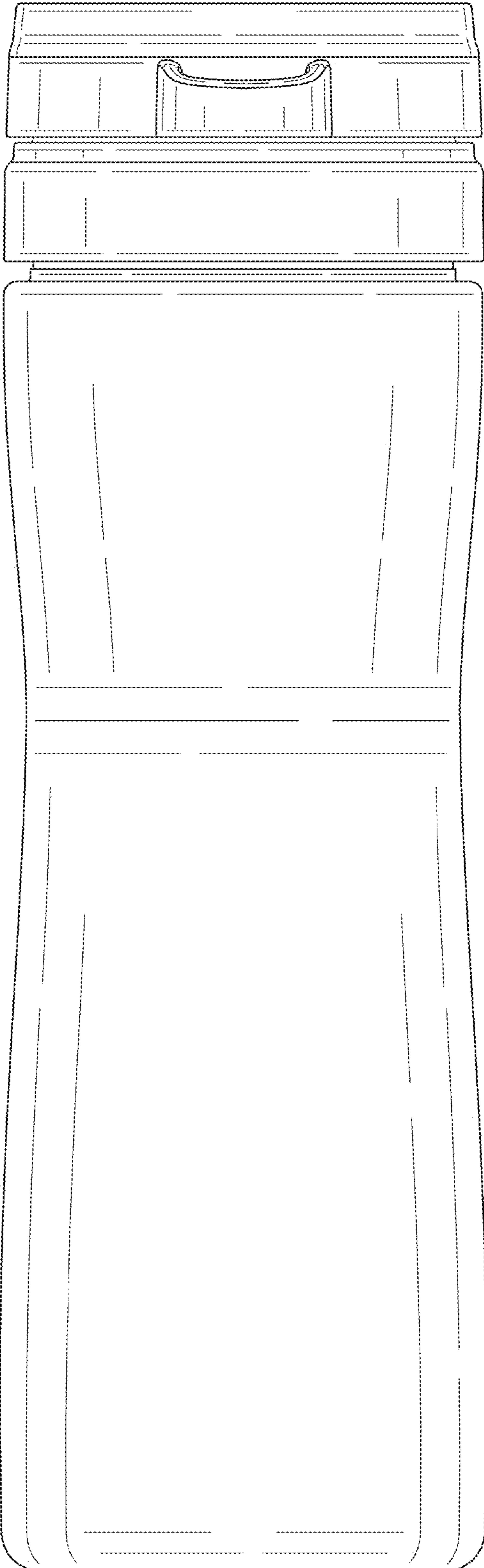


FIG. 17

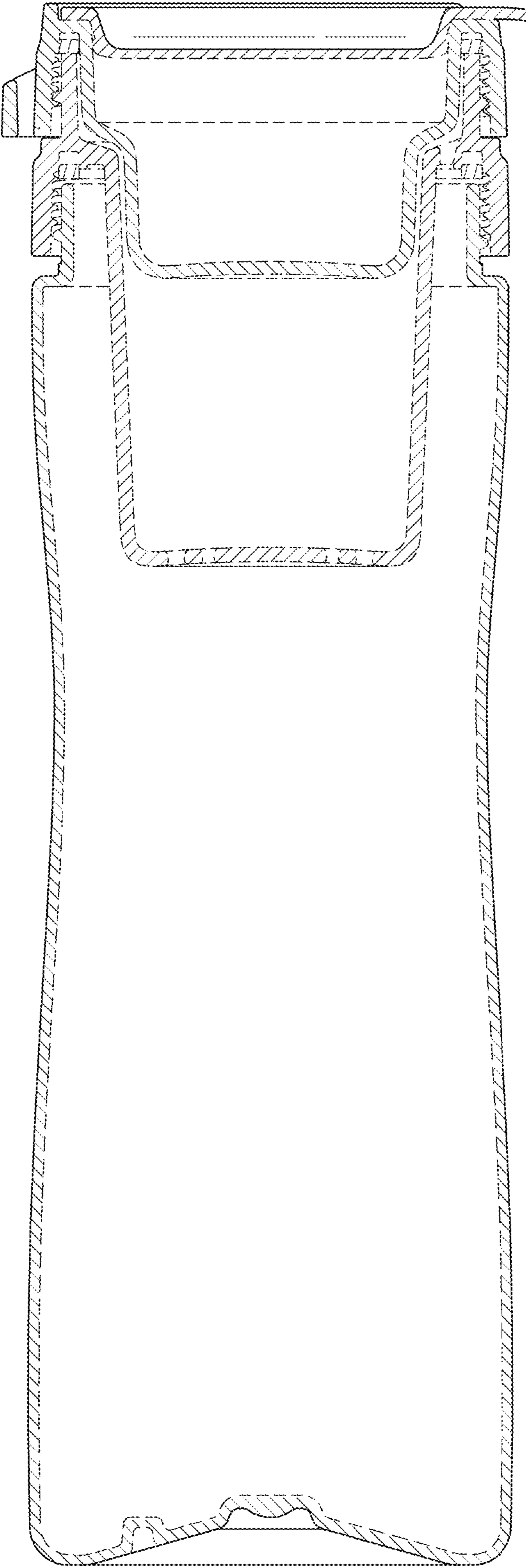


FIG. 18

