



US00D986681S

(12) **United States Design Patent** (10) **Patent No.:** **US D986,681 S**
Luo (45) **Date of Patent:** **** May 23, 2023**

(54) **WATER BOTTLE**

(71) Applicant: **Shenzhen Sitelai Technology Co., Ltd.**, Shenzhen (CN)

(72) Inventor: **Qiuting Luo**, Shenzhen (CN)

(73) Assignee: **SHENZHEN SITELAI TECHNOLOGY CO., LTD.**, Shenzhen (CN)

(**) Term: **15 Years**

(21) Appl. No.: **29/795,968**

(22) Filed: **Jun. 22, 2021**

(30) **Foreign Application Priority Data**

Jun. 21, 2021 (CN) 202130382379.8

(51) **LOC (14) Cl.** **07-01**

(52) **U.S. Cl.**
USPC **D7/510**; D7/392.1

(58) **Field of Classification Search**
USPC D7/507, 509, 510, 511, 514, 523, 532, D7/533, 535, 536, 392.1, 396.1, 396.2, D7/608; D3/202; D9/435, 443, 446, 449
CPC B65D 1/40; A47G 21/18; A47G 19/22; A47G 19/2288; A47G 19/2205; A47J 41/0055; A47J 41/00; A47J 41/0077; A47J 41/0088; A47J 43/27; Y10S 220/903
See application file for complete search history.

(56) **References Cited**

U.S. PATENT DOCUMENTS

D528,921 S * 9/2006 Leoncavallo D9/530
D766,090 S * 9/2016 Boroski D7/509
D767,337 S * 9/2016 Boroski D7/510
D786,018 S * 5/2017 Willows D7/509
D814,855 S * 4/2018 Hammer D7/392.1
D828,094 S * 9/2018 Jackson D7/532
D860,800 S * 9/2019 Hao D9/551

D862,985 S * 10/2019 Backs D7/511
D870,508 S * 12/2019 Palkon D7/392.1
D878,155 S * 3/2020 Peng D7/532
D879,555 S * 3/2020 Wang D7/532
D884,419 S * 5/2020 Backs D7/397
D892,558 S * 8/2020 Wang D7/529

(Continued)

FOREIGN PATENT DOCUMENTS

CN 306592817 * 6/2021
CN 306845077 * 9/2021
CN 307807853 * 1/2023

OTHER PUBLICATIONS

FiftyFifty [online] URL: <https://www.fiftyfiftybottles.com/products/40oz-bottle-with-wide-mouth-straw-lid-1> (site visited: Mar. 2, 2023) (Year: 2019).*

(Continued)

Primary Examiner — Jae Liang
Assistant Examiner — Tia Ruth-Renee Polidori
(74) *Attorney, Agent, or Firm* — IPro, PLLC

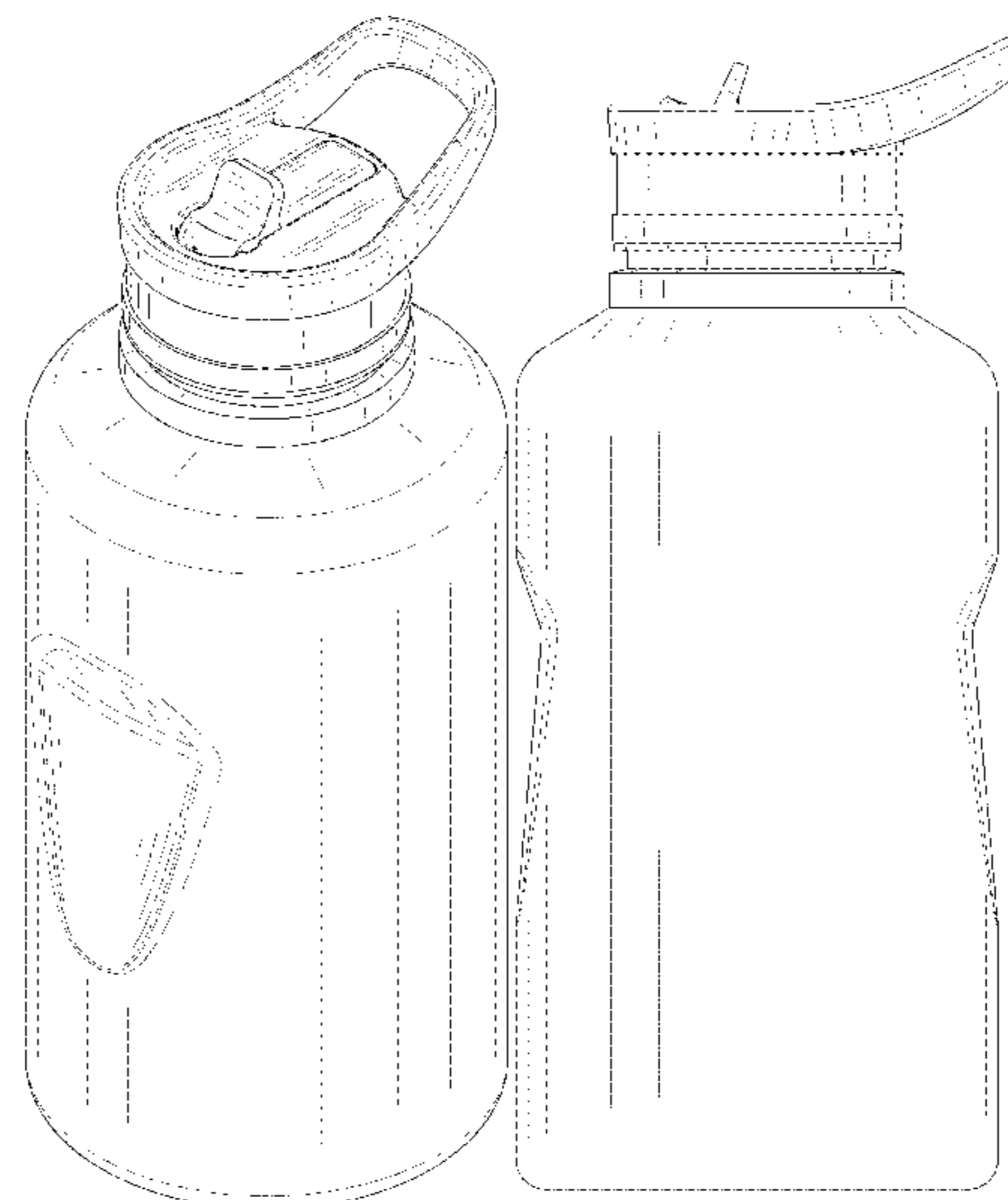
(57) **CLAIM**

The ornamental design for a water bottle, as shown and described.

DESCRIPTION

FIG. 1 is a perspective view of my new design for a water bottle;
FIG. 2 is another perspective view thereof;
FIG. 3 is a front view thereof;
FIG. 4 is a rear view thereof;
FIG. 5 is a left side view thereof;
FIG. 6 is a right side view thereof;
FIG. 7 is a top view thereof; and,
FIG. 8 is a bottom view thereof.
The broken lines in the drawings depict portions of the water bottle that form no part of the claimed design.

1 Claim, 8 Drawing Sheets



(56)

References Cited

U.S. PATENT DOCUMENTS

D892,560 S * 8/2020 Wang D7/529
 D897,760 S * 10/2020 Feng D9/453
 D897,775 S * 10/2020 Wang D7/529
 D897,776 S * 10/2020 Pan D7/529
 D899,187 S * 10/2020 Wang D7/529
 D899,189 S * 10/2020 Pan D7/529
 D900,537 S * 11/2020 Yao D7/392.1
 D903,403 S * 12/2020 Ames D7/392.1
 D909,876 S * 2/2021 Sestak D9/539
 D914,456 S * 3/2021 Lin D7/511
 D915,821 S * 4/2021 Ludolph D7/392.1
 D923,394 S * 6/2021 Gu D7/392.1
 D935,265 S * 11/2021 Chen D7/392.1
 D950,306 S * 5/2022 Peng D7/392.1
 D955,174 S * 6/2022 Smith D7/511
 D957,885 S * 7/2022 Zhang D7/510
 D961,996 S * 8/2022 Chen D7/510

D963,413 S * 9/2022 Egorov D7/511
 D976,637 S * 1/2023 Ludolph D7/392
 D977,906 S * 2/2023 Xie D7/392.1

OTHER PUBLICATIONS

Buzio [online] URL: <https://www.facebook.com/BuzioBottle/photos/pb.100064244190135.-2207520000./1269817090147594/?type=3> (site visited: Mar. 2, 2023) (Year: 2019).*

HotBest [online] URL: <https://www.amazon.com/Motivational-Capacity-BPA-free-Non-Toxic-Leakproof/dp/B0B45SPJLW?th=1> (site visited: Mar. 2, 2023) (Year: 2022).*

Walmart [online] URL: <https://www.walmart.com/ip/Half-Gallon-64oz-Water-Bottle-Time-Marker-Straw-Leakproof-BPA-Free-Motivational-Jug-Ensure-You-Drink-Enough-Daily-Fitness-Gym-Outdoor-Sports-Orange-G/2669908445?wmlspartner=wlp&selectedSellerId=101273236> (site visited: Mar. 2, 2023) (Year: 2023).*

* cited by examiner

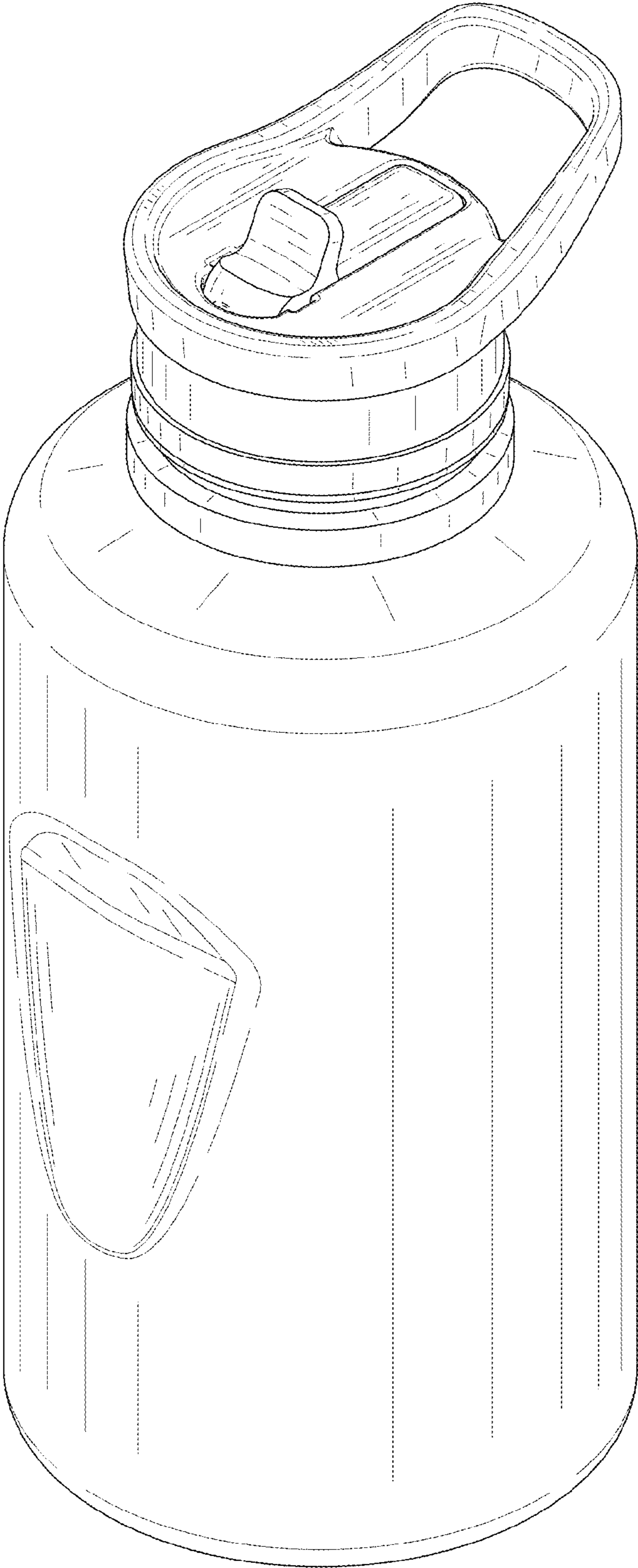


FIG. 1

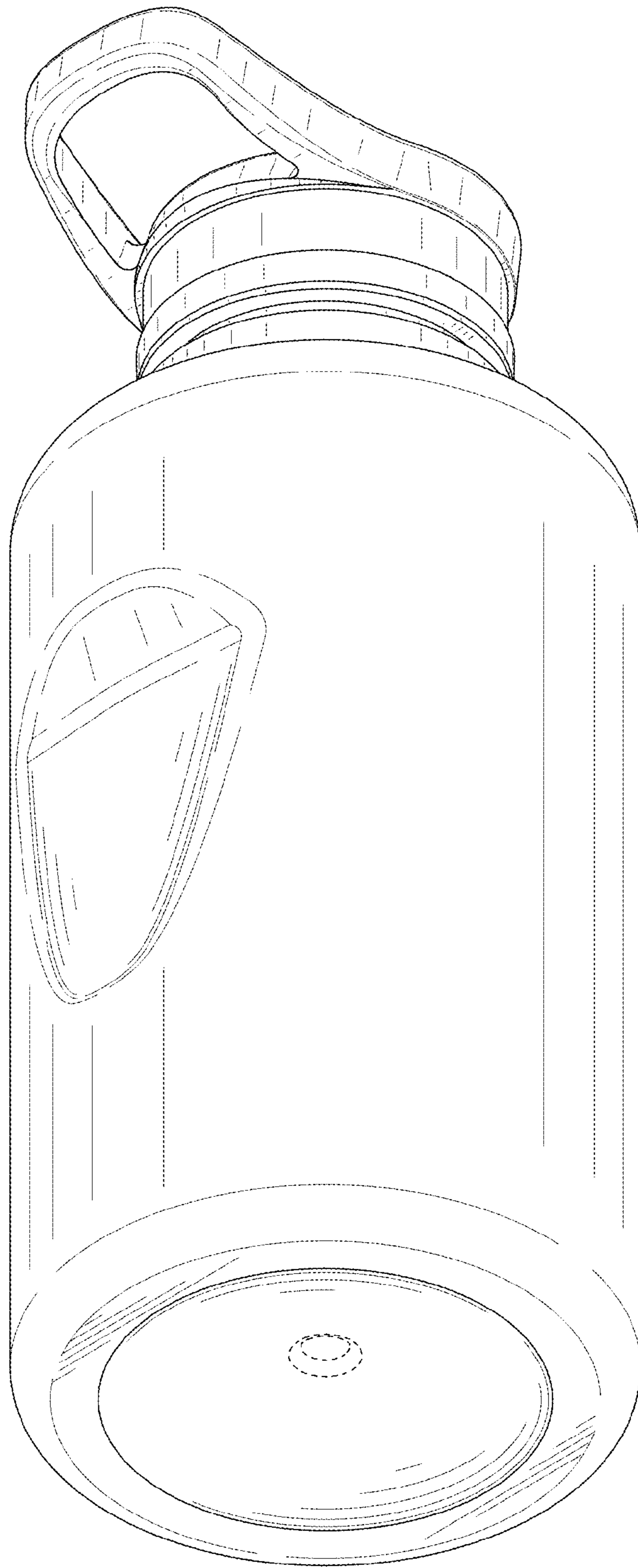


FIG. 2

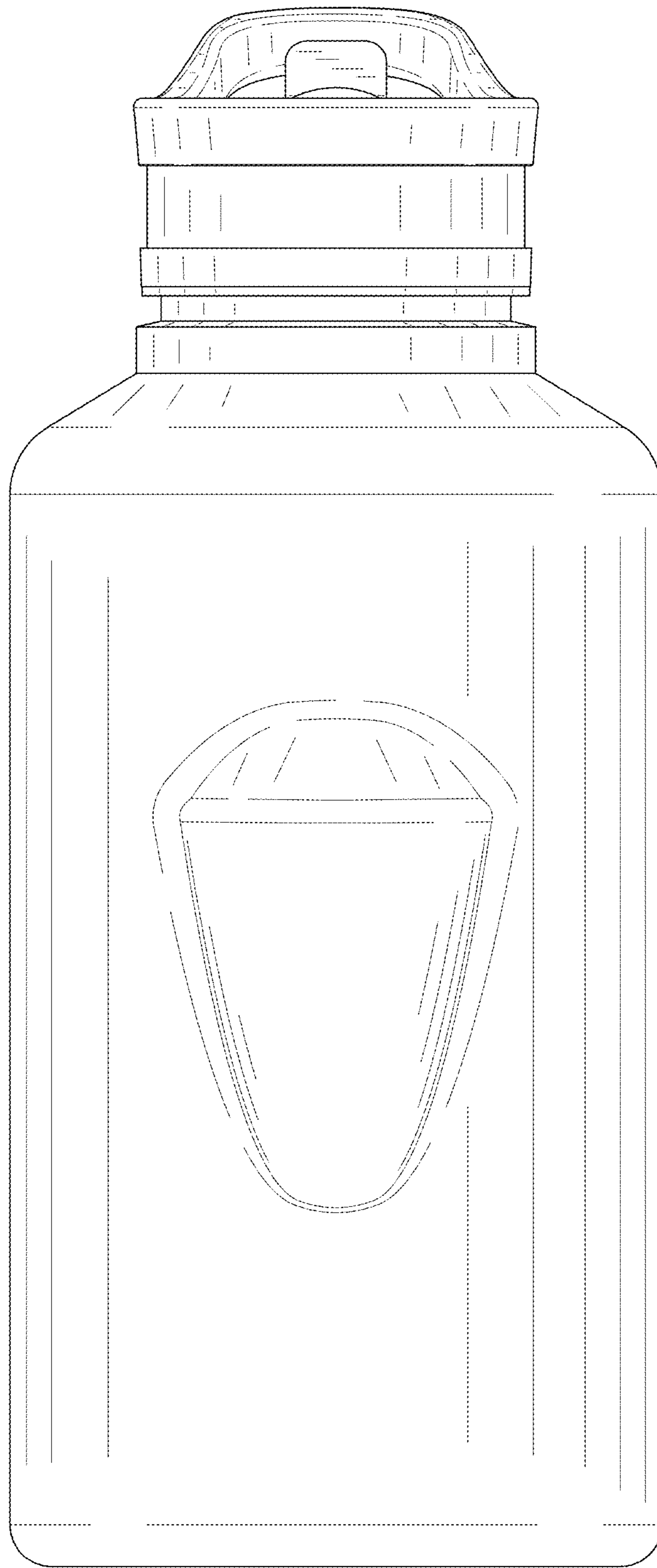


FIG. 3

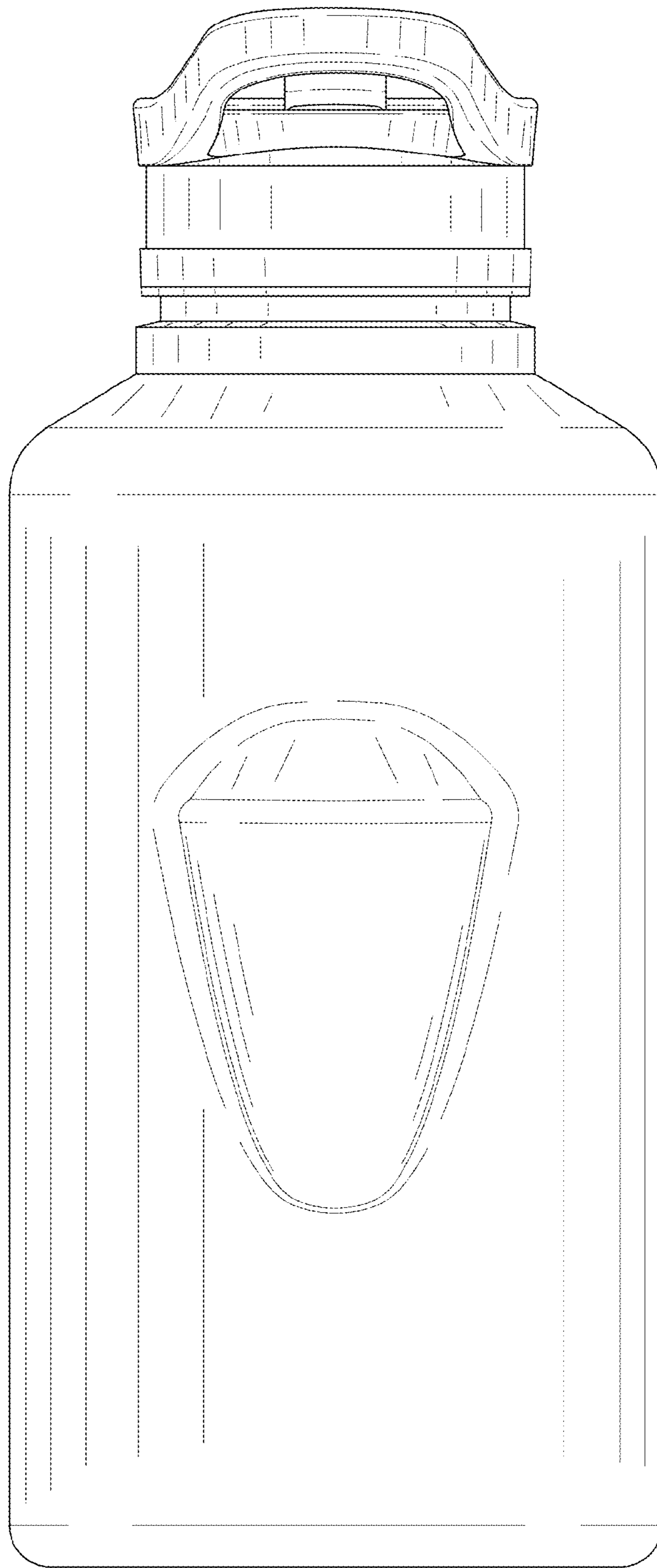


FIG. 4

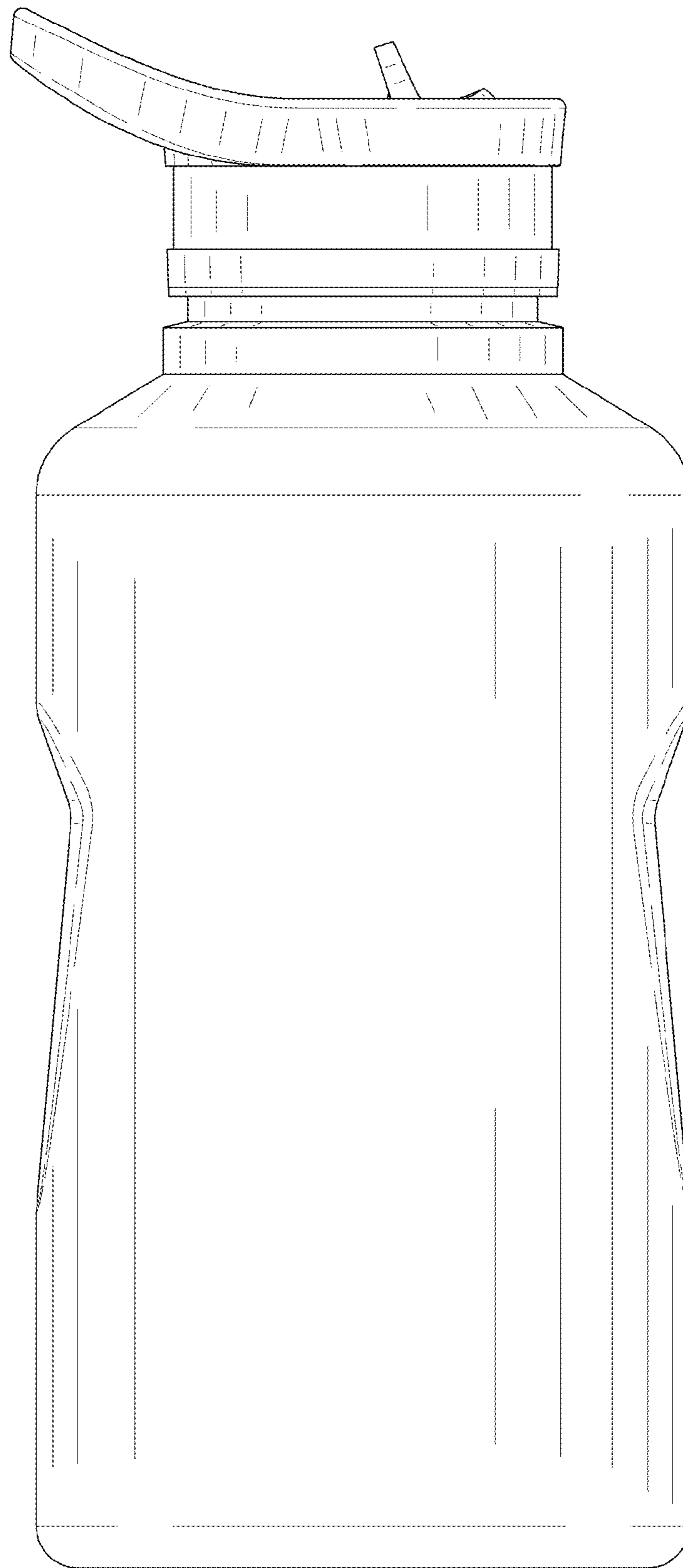


FIG. 5

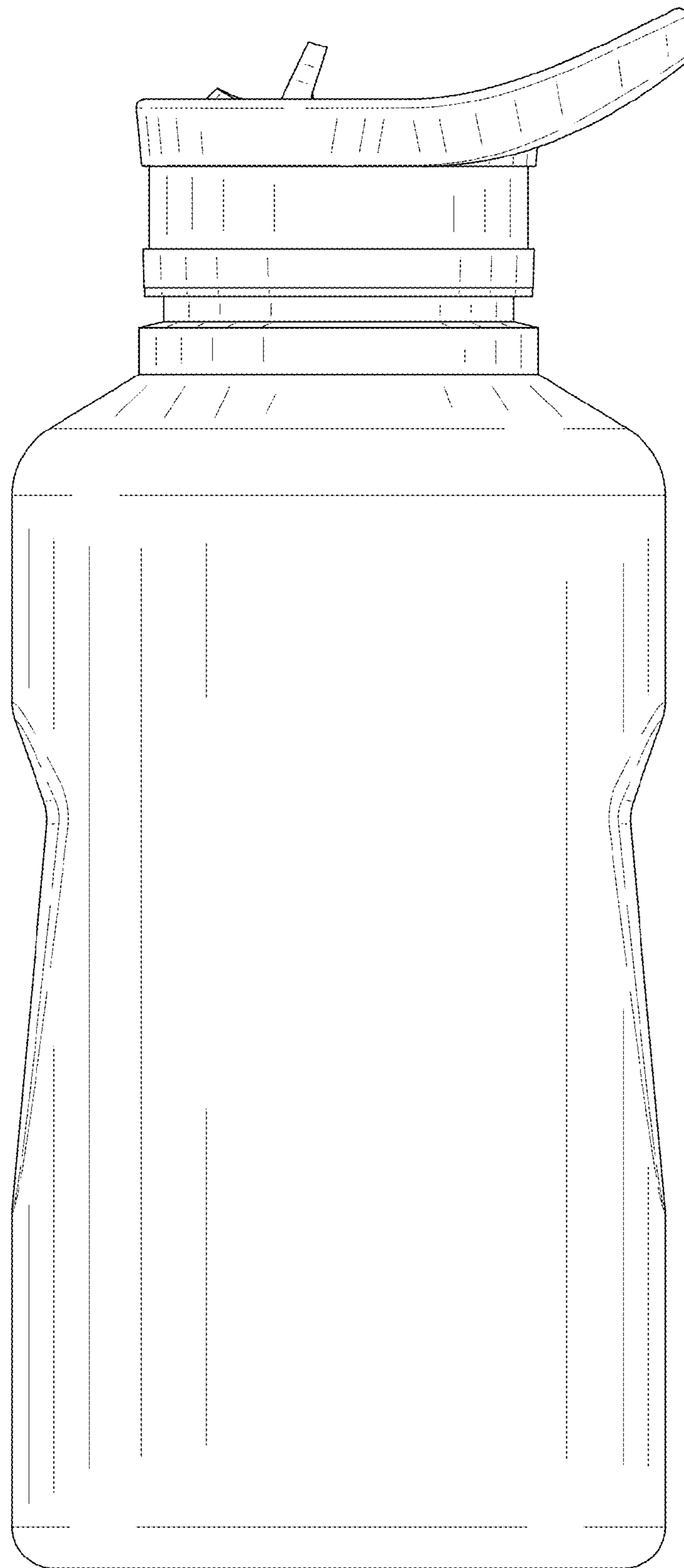


FIG. 6

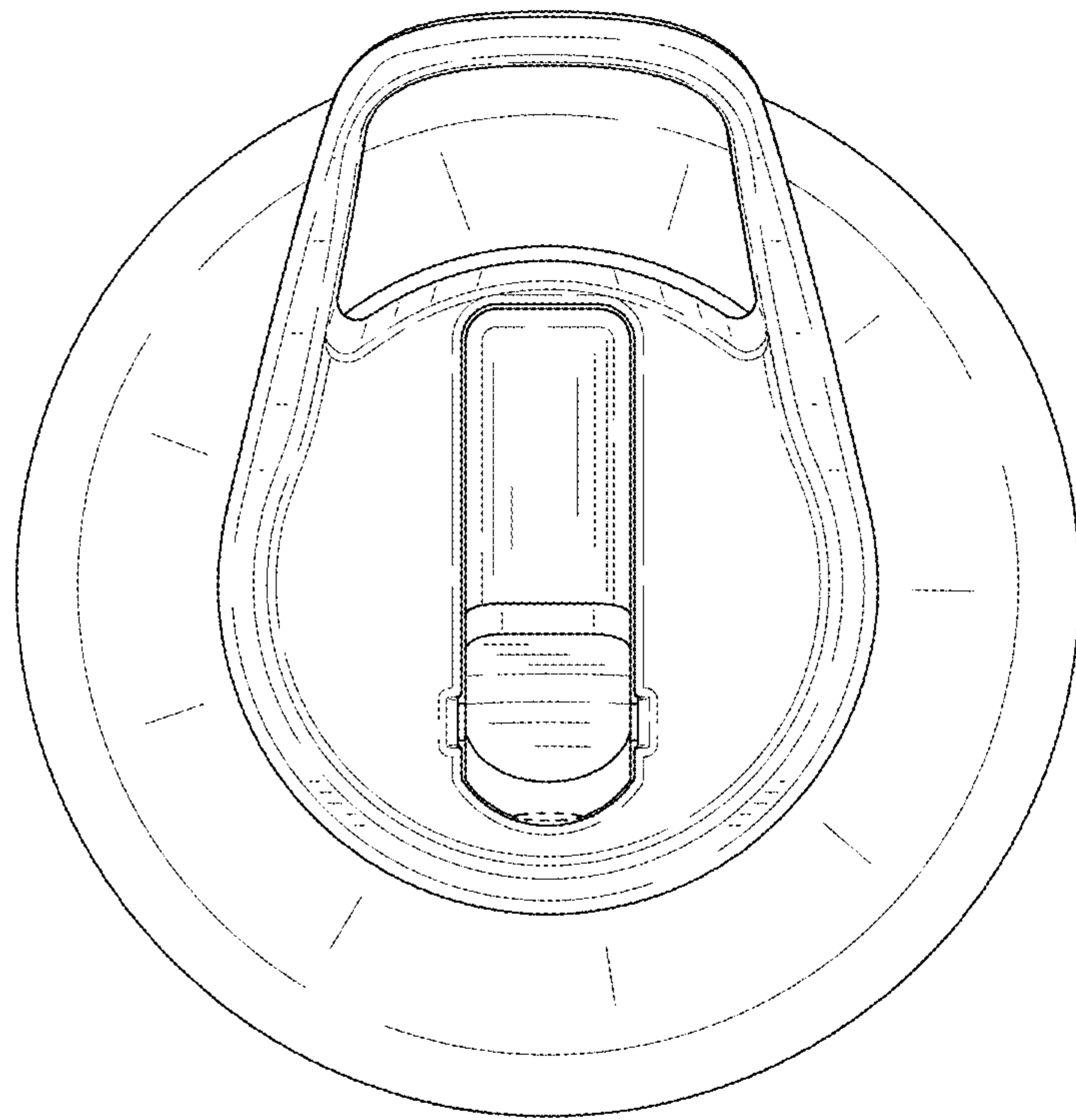


FIG. 7

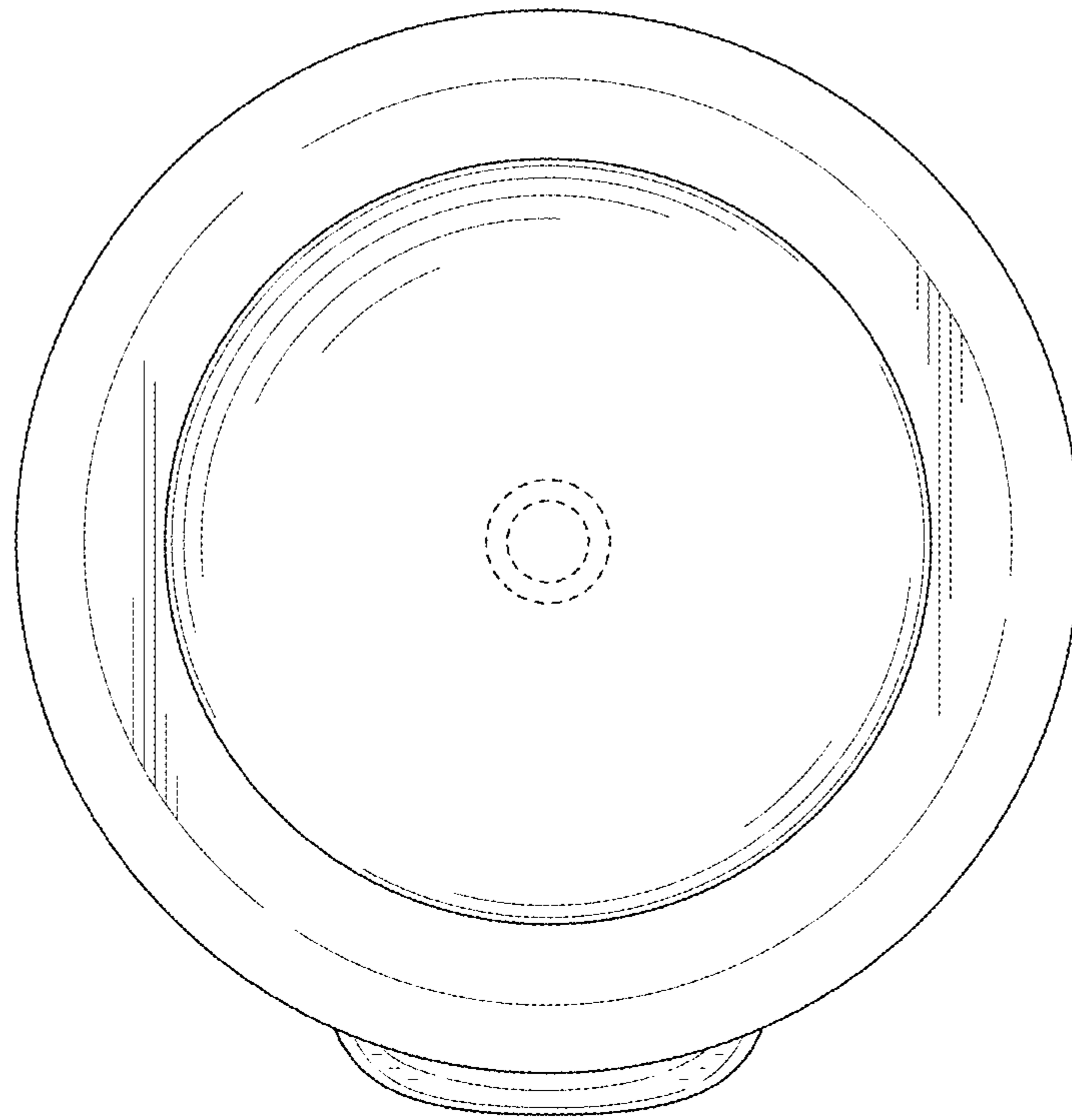


FIG. 8