



US00D986678S

(12) **United States Design Patent** (10) **Patent No.:** **US D986,678 S**  
**Anand et al.** (45) **Date of Patent:** **\*\* May 23, 2023**

(54) **MIXING BOWL ASSEMBLY FOR A STAND MIXER**

(71) Applicant: **WHIRLPOOL CORPORATION**,  
Benton Harbor, MI (US)

(72) Inventors: **Prabhjee Anand**, Pune (IN); **John W. McConnell**, St. Joseph, MI (US);  
**Brandon Tyler Mock**, St. Joseph, MI (US); **John Jay Myers**, Saugatuck, MI (US);  
**Nicholas Hill Schutte**, St. Joseph, MI (US); **Ben C. Shao**, Clarendon Hills, IL (US);  
**Katie Remaly**, Charlotte, NC (US)

(73) Assignee: **WHIRLPOOL CORPORATION**,  
Benton Harbor, MI (US)

(\*\*) Term: **15 Years**

(21) Appl. No.: **29/830,537**

(22) Filed: **Mar. 14, 2022**

**Related U.S. Application Data**

(63) Continuation-in-part of application No. 29/803,735, filed on Aug. 16, 2021, and a continuation-in-part of application No. 17/352,710, filed on Jun. 21, 2021.

(51) **LOC (14) Cl.** ..... **31-00**

(52) **U.S. Cl.**  
USPC ..... **D7/412; D7/376; D7/379**

(58) **Field of Classification Search**  
USPC ..... D7/354, 372, 376–386, 396.1, 402,  
D7/412–413, 526, 538, 542, 562, 565,  
D7/566, 584, 587, 588, 602, 629,  
D7/665–667, 669, 679, 693–694  
CPC .. A21C 1/02; A21C 1/04; A21C 1/144; A23N  
1/00; A23N 1/02; A47J 43/04; A47J  
43/22; A47J 43/25; A47J 43/27; A47J  
43/042; A47J 43/044; A47J 43/046; A47J  
43/075; A47J 43/0705; A47J 43/0711;  
A47J

(Continued)

(56) **References Cited**

U.S. PATENT DOCUMENTS

2,507,425 A 5/1950 Swartout  
3,403,249 A 9/1968 Bennett

(Continued)

FOREIGN PATENT DOCUMENTS

DE 102011078377 A1 1/2013  
EP 1955626 A1 12/2006

(Continued)

OTHER PUBLICATIONS

Happybuy Commercial Food Mixer. Date First Available on Amazon.com Feb. 26, 2019. <https://www.amazon.com/dp/B07MNL75B8/ref> (Year: 2019).\*

*Primary Examiner* — Ricky Pham

(74) *Attorney, Agent, or Firm* — Price Heneveld LLP

(57) **CLAIM**

The ornamental design for a mixing bowl assembly for a stand mixer, as shown and described.

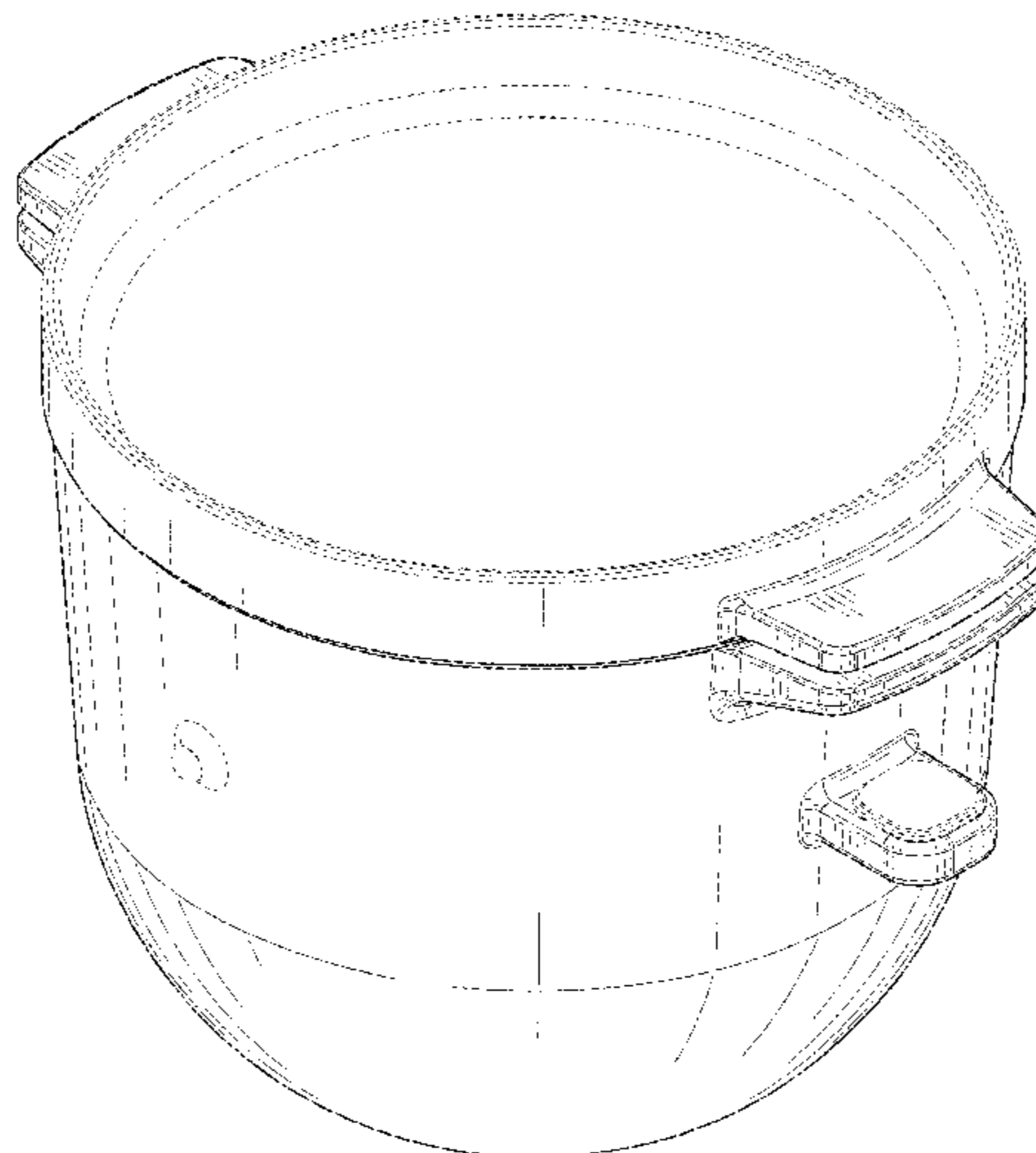
**DESCRIPTION**

FIG. 1 is a perspective view of a mixing bowl assembly for a stand mixer according to the design;  
FIG. 2 is a front elevation view thereof;  
FIG. 3 is a back elevation view thereof;  
FIG. 4 is a right side elevation view thereof;  
FIG. 5 is a left side elevation view thereof;  
FIG. 6 is a top plan view thereof; and,  
FIG. 7 is a bottom plan view thereof.

The portions of the article shown in even broken line form no part of the claimed design.

Dash-dot-dash broken lines adjacent un-shaded areas represent bounds of the claimed design and form no part of the claimed design themselves.

**1 Claim, 7 Drawing Sheets**



(58) **Field of Classification Search**

CPC ..... 43/0722; A47J 43/0727; A47J 43/1093;  
 B01F 3/00; B01F 3/0807; B01F 3/0853;  
 B01F 13/0059; B01F 13/0064; B01F  
 27/1126; B02C 1/08; B02C 2/04; B02C  
 4/42; B02C 4/142; B02C 4/143; B02C  
 4/423; B02C 13/1835; B28C 5/10; B28C  
 5/12; B28C 5/14; B28C 5/16; A47G  
 23/06

See application file for complete search history.

(56) **References Cited**

U.S. PATENT DOCUMENTS

3,493,249 A 2/1970 Conrad, Jr. et al.  
 3,725,993 A 4/1973 Siler  
 4,165,855 A 8/1979 Mason, Jr.  
 5,213,028 A 5/1993 Chang  
 D387,610 S \* 12/1997 Hippen ..... D7/379  
 6,152,636 A 11/2000 Nass  
 6,581,795 B1 6/2003 Schulein et al.  
 D509,106 S \* 9/2005 de Groote ..... D7/587  
 6,966,691 B2 \* 11/2005 Brunswick ..... A47J 43/0727  
 366/207  
 7,374,117 B2 5/2008 Lin et al.  
 7,438,463 B2 \* 10/2008 Schnipke ..... B01F 27/805  
 366/206  
 D646,925 S \* 10/2011 Okajima ..... D7/354  
 8,182,135 B2 5/2012 Blackburn et al.

8,182,136 B2 5/2012 Harrold et al.  
 D668,915 S 10/2012 Drees  
 D689,730 S \* 9/2013 Goto ..... D7/354  
 8,561,957 B2 10/2013 Levine et al.  
 D701,420 S 3/2014 Benoit et al.  
 D702,487 S \* 4/2014 Gillette ..... D7/384  
 9,220,372 B2 12/2015 Benoit et al.  
 9,333,472 B2 5/2016 Paget et al.  
 D868,531 S \* 12/2019 Wong ..... D7/379  
 D901,234 S \* 11/2020 Li ..... D7/378  
 2005/0141340 A1 \* 6/2005 Donthnier ..... B01F 27/806  
 366/207  
 2006/0044935 A1 3/2006 Benelli et al.  
 2007/0095961 A1 5/2007 Lin et al.  
 2009/0109792 A1 \* 4/2009 Ciancimino ..... B01F 27/1126  
 366/142  
 2011/0036248 A1 \* 2/2011 Liu ..... A47J 43/0705  
 320/115  
 2012/0003353 A1 1/2012 Lonergan  
 2019/0142027 A1 5/2019 Stolze et al.

FOREIGN PATENT DOCUMENTS

EP 3485772 A1 5/2019  
 FR 2920658 A1 3/2009  
 JP 2004245030 A 9/2004  
 KR 20100005914 A 1/2010  
 WO 0213622 A2 2/2002  
 WO 2007002348 A1 1/2007

\* cited by examiner

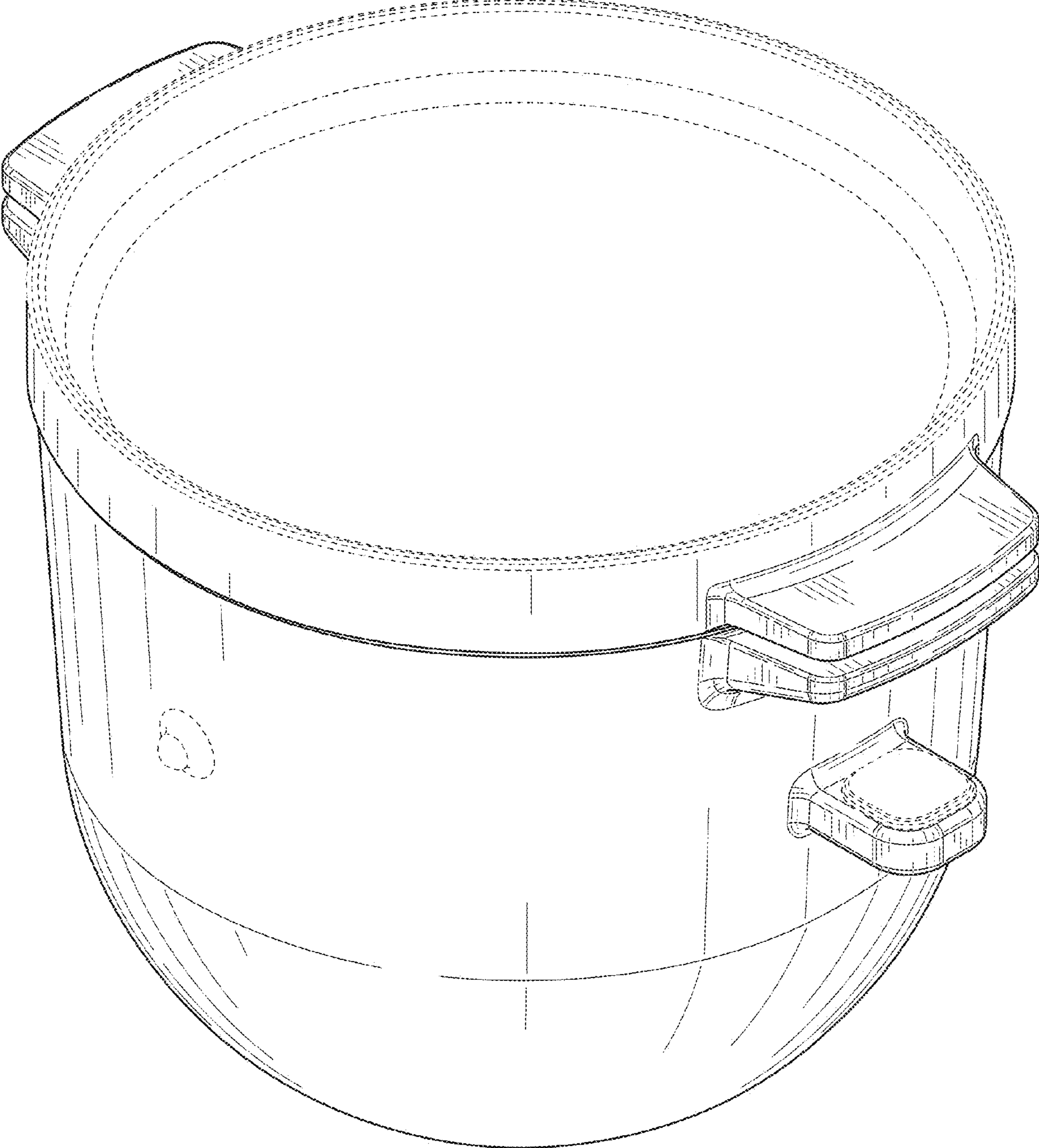


FIG. 1

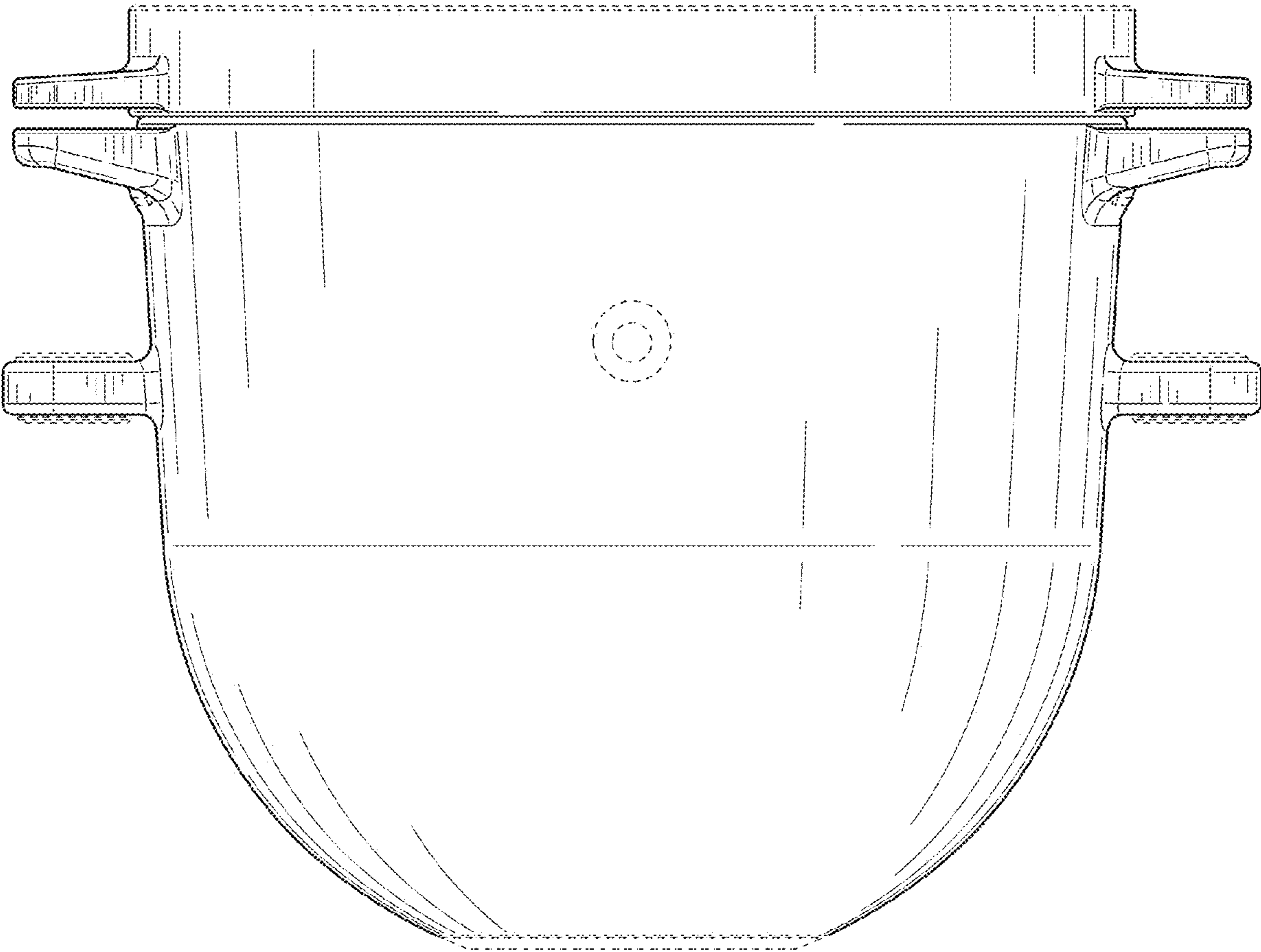


FIG. 2



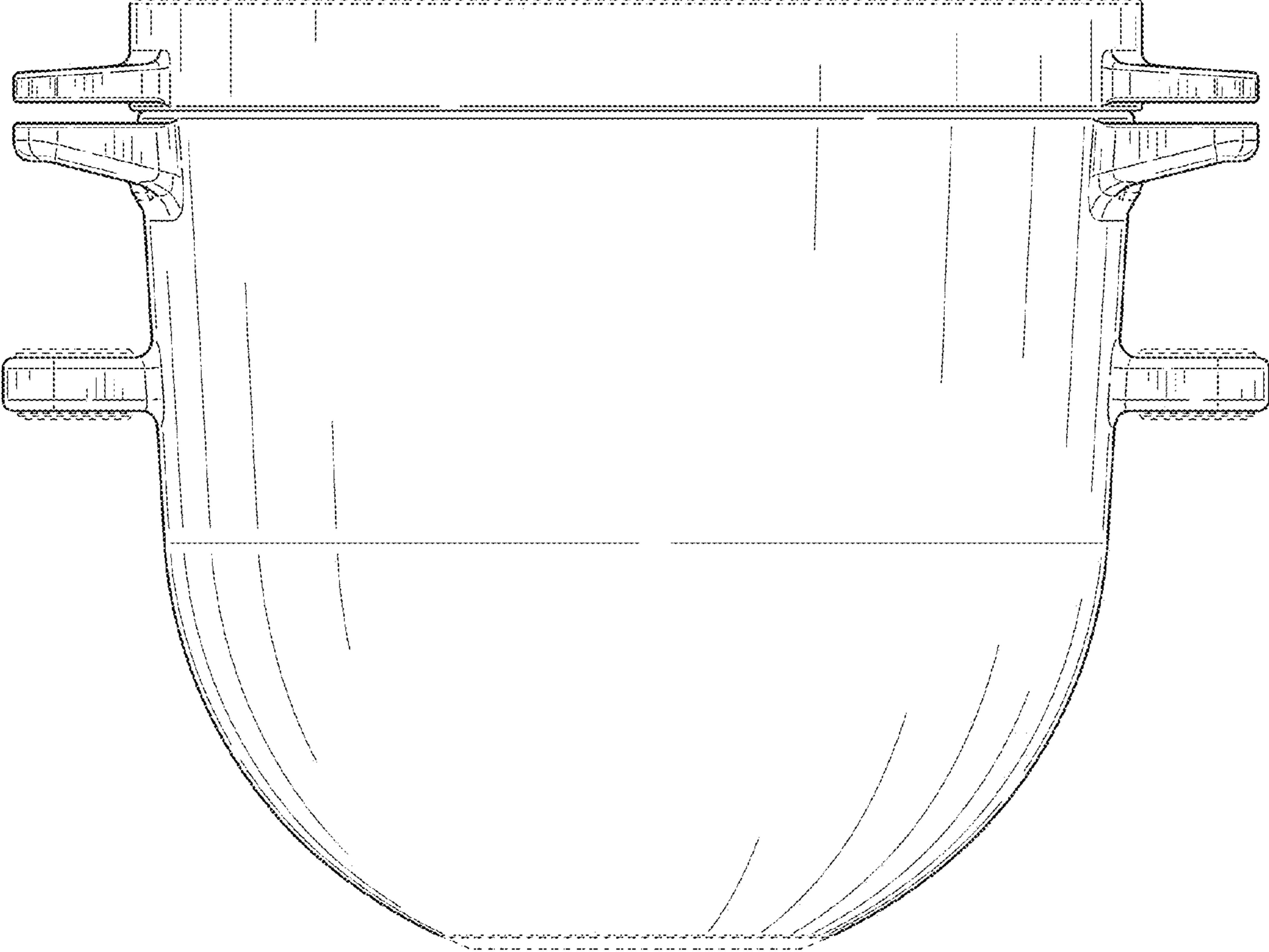


FIG. 3

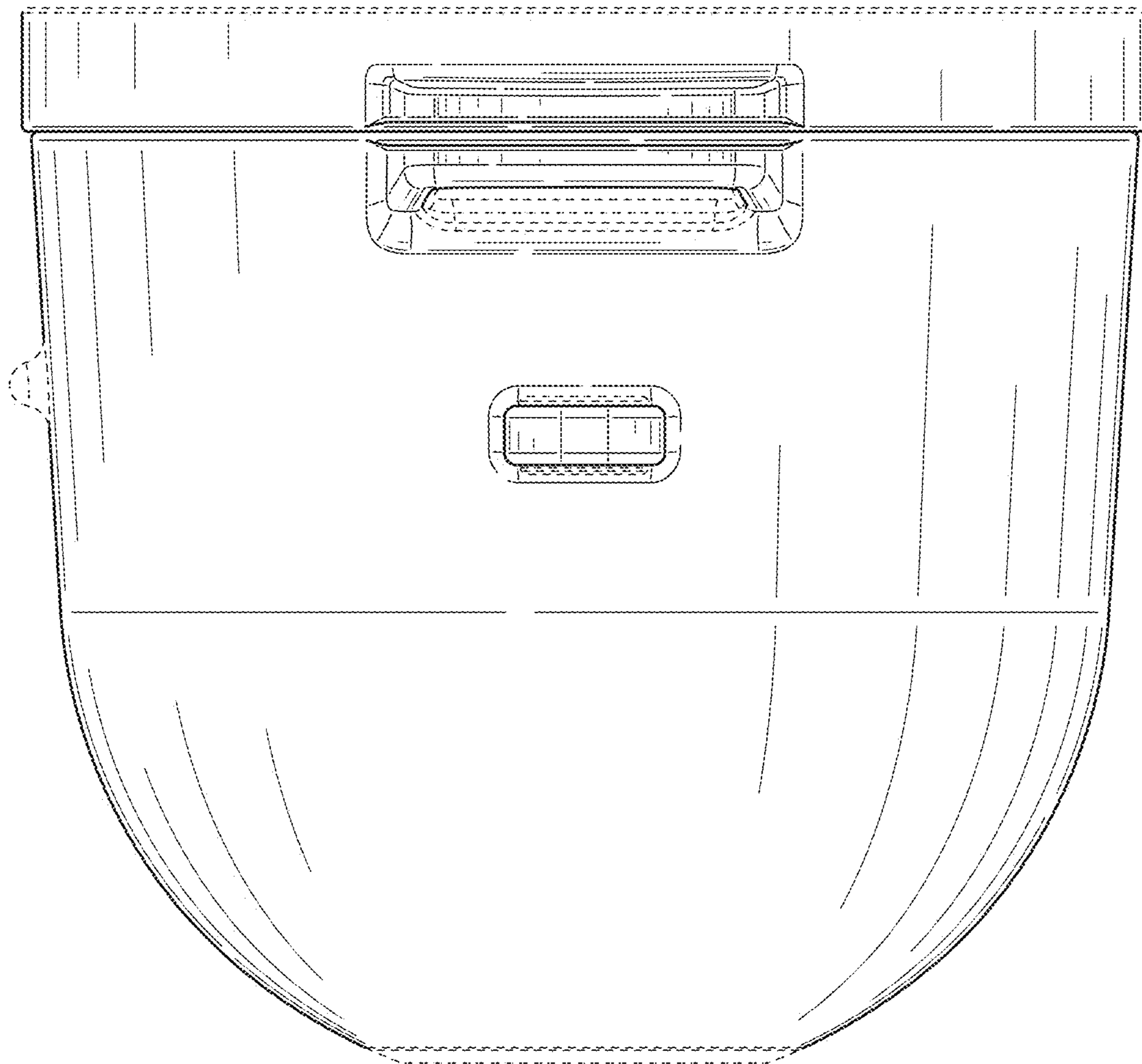


FIG. 4

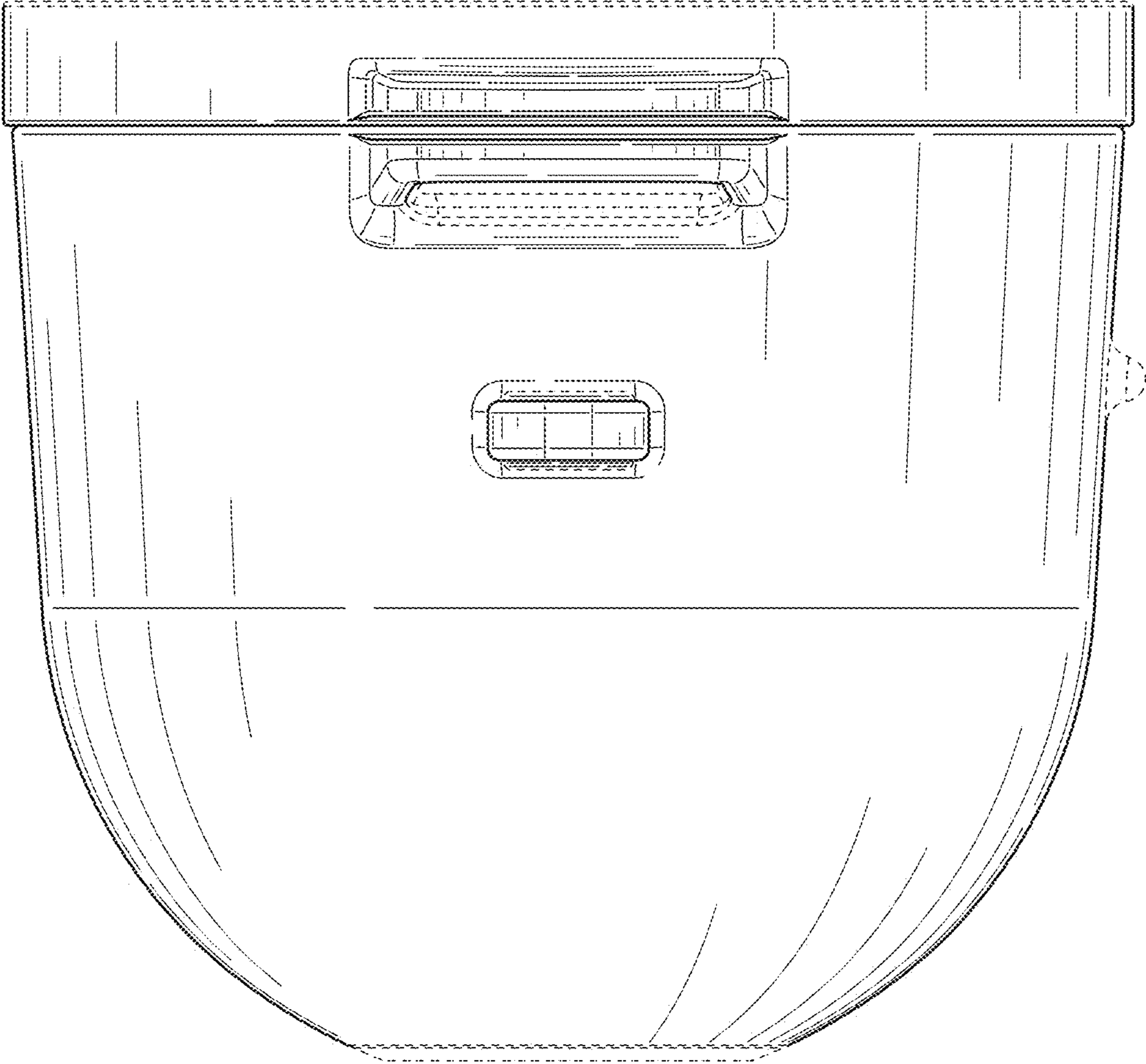


FIG. 5

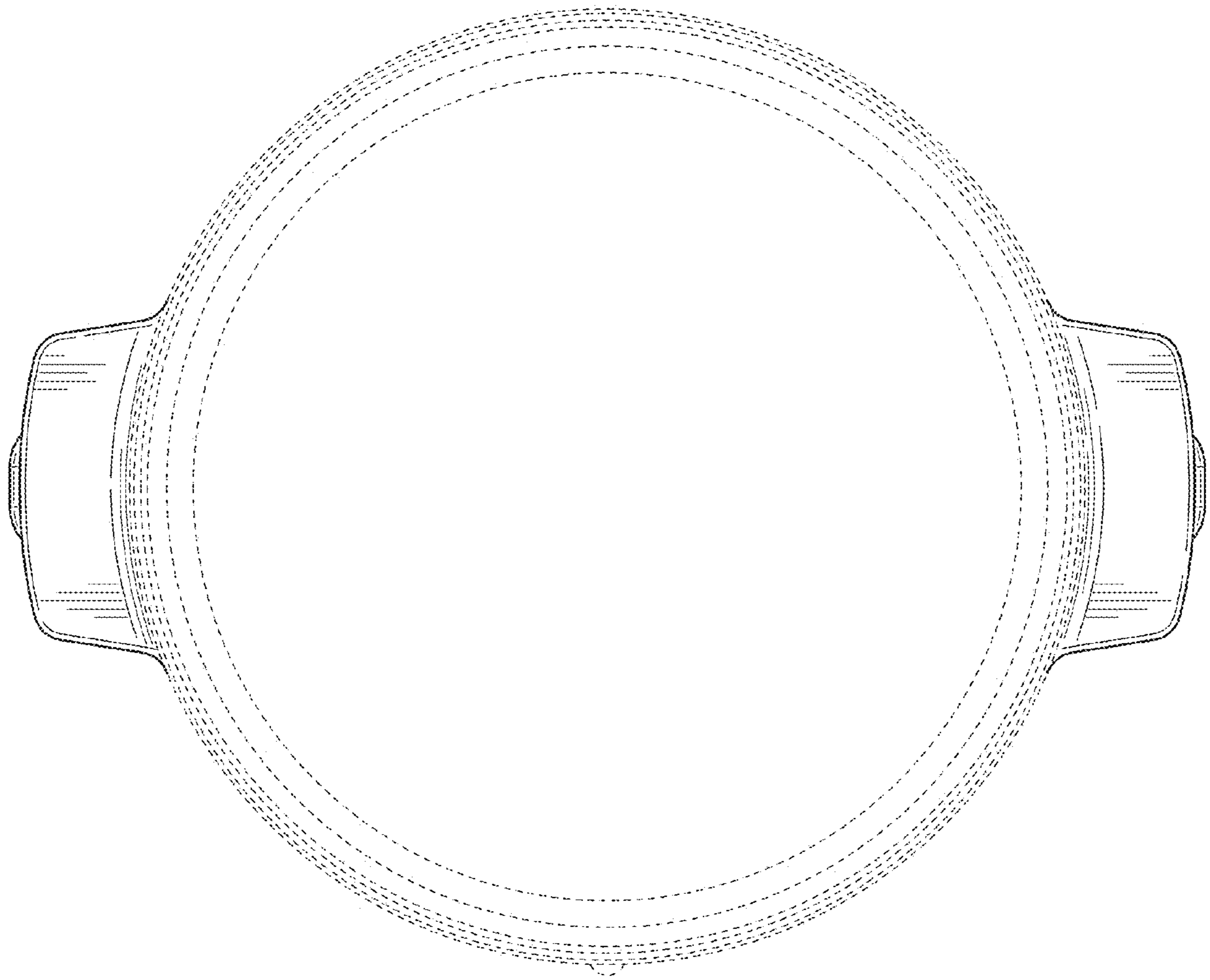


FIG. 6



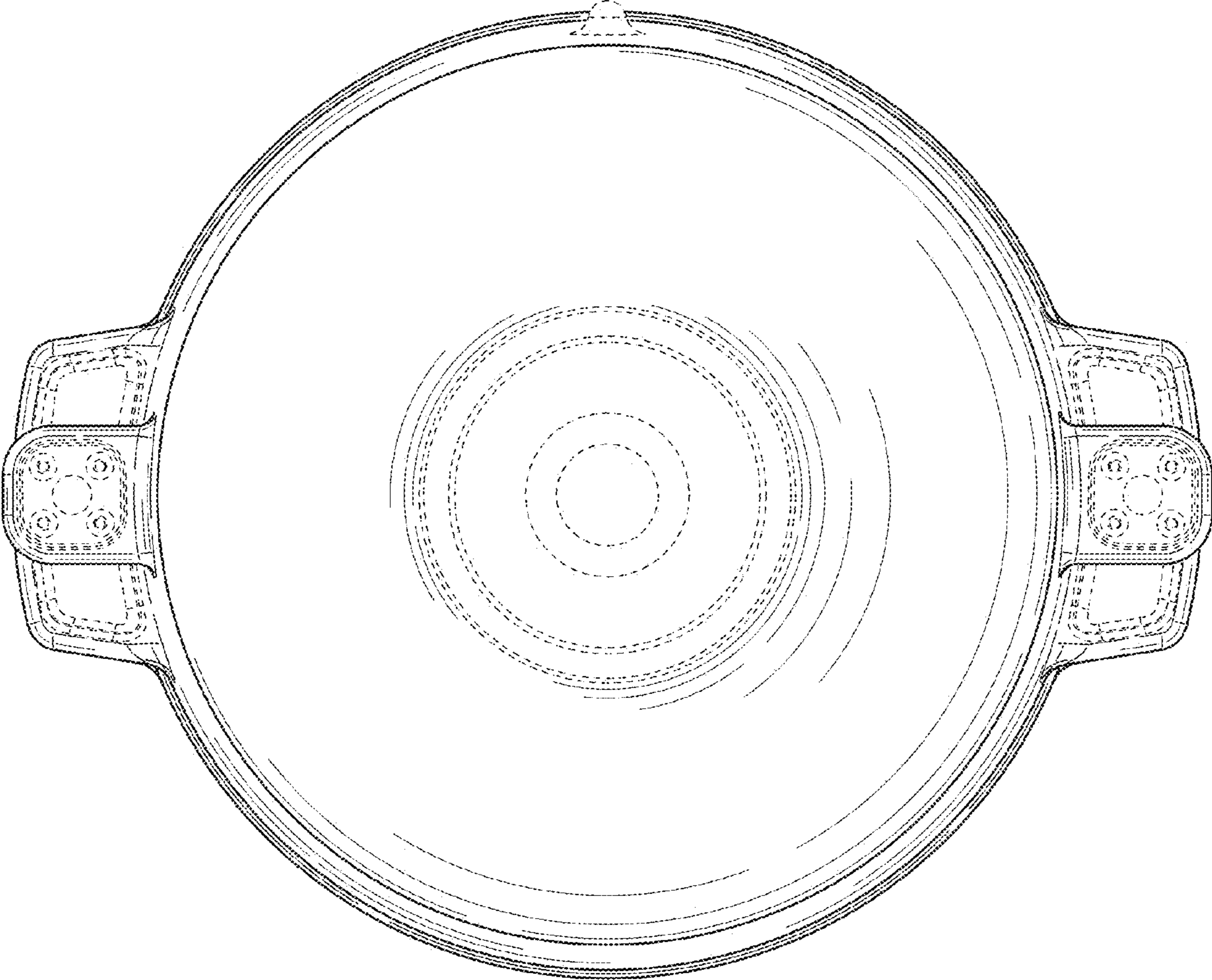


FIG. 7