



US00D986676S

(12) **United States Design Patent** (10) **Patent No.:** **US D986,676 S**  
**Zhang** (45) **Date of Patent:** **\*\* May 23, 2023**

(54) **COFFEE FILTER**  
(71) Applicant: **Tao Zhang**, Dongguan (CN)  
(72) Inventor: **Tao Zhang**, Dongguan (CN)  
(\*\*) Term: **15 Years**  
(21) Appl. No.: **29/797,531**  
(22) Filed: **Jul. 1, 2021**  
(51) **LOC (14) Cl.** ..... **07-02**  
(52) **U.S. Cl.**  
USPC ..... **D7/400**  
(58) **Field of Classification Search**  
USPC ..... D3/304, 306; D7/213, 316–322, 373,  
D7/380, 387, 395, 397, 399–400,  
D7/510–511, 667–669, 693, 694;  
D23/209, 365  
CPC ..... B01D 29/13; B01D 29/21; A47J 31/06;  
A47J 31/0636; A47J 31/0663; A47J  
31/0689; A47J 31/20; A47J 31/38; A47J  
31/605  
See application file for complete search history.

D939,890 S \* 1/2022 Sasena ..... B01D 29/21  
D7/400  
2013/0074702 A1\* 3/2013 Difante ..... A47J 27/10  
99/403  
2015/0052865 A1\* 2/2015 Jackson ..... B01D 46/521  
55/487  
2021/0127889 A1\* 5/2021 Sasena ..... A47J 31/0689

**FOREIGN PATENT DOCUMENTS**

CN 306518739 \* 5/2021  
EM 002174318-0001 \* 2/2013  
TR 641652-0001 \* 4/2011

**OTHER PUBLICATIONS**

Ez Cup, “Cafe Flow Stainless Steel Reusable K Cup,” Oct. 26, 2019, Amazon.ca, www.amazon.ca/dp/B07ZG5VPMY (Year: 2019).\*

(Continued)

*Primary Examiner* — Joseph Kukella  
*Assistant Examiner* — Arva P Adams  
(74) *Attorney, Agent, or Firm* — Che-Yang Chen; Law Office of Michael Chen

(57) **CLAIM**

The ornamental design for a coffee filter, as shown and described.

**DESCRIPTION**

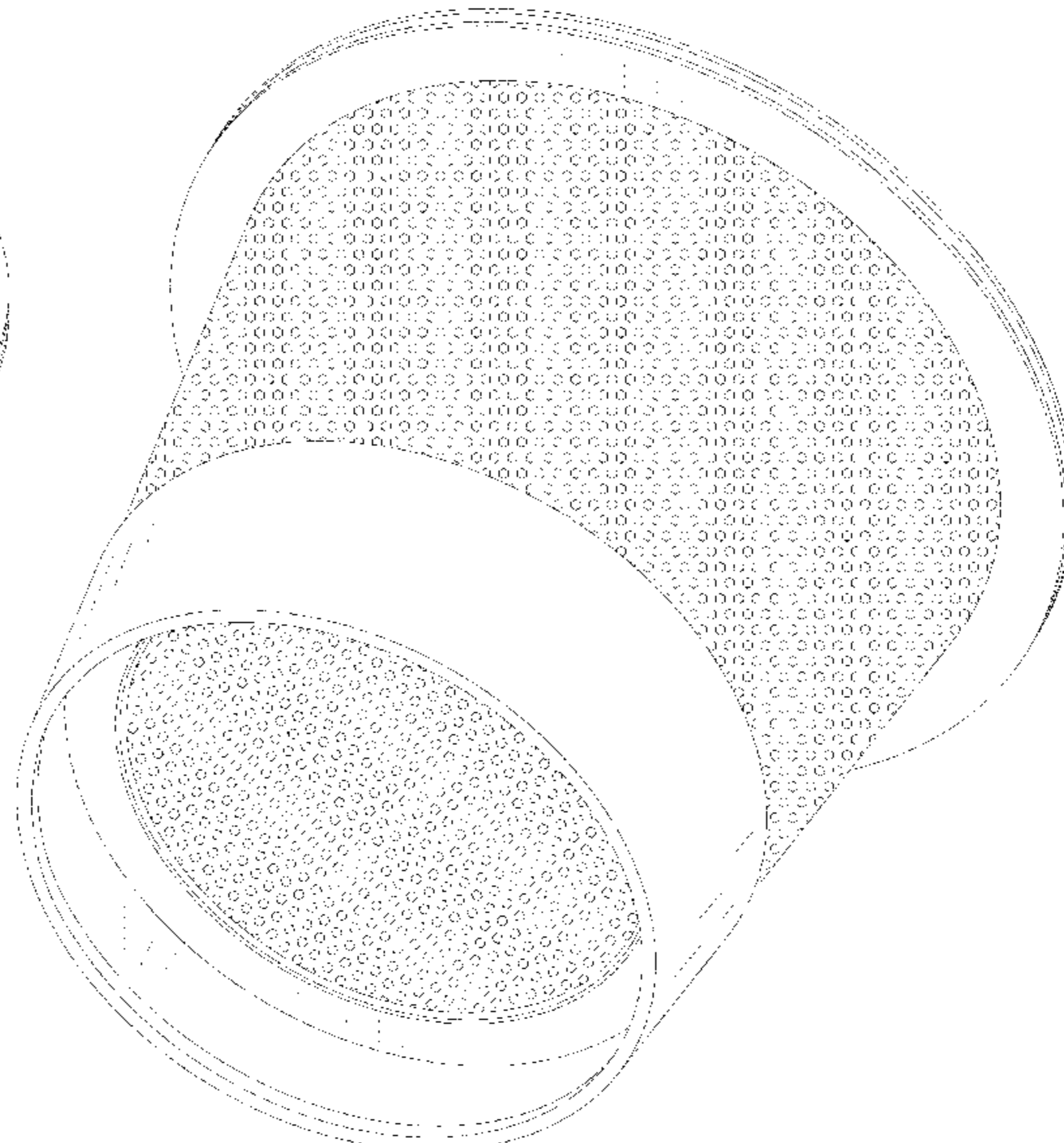
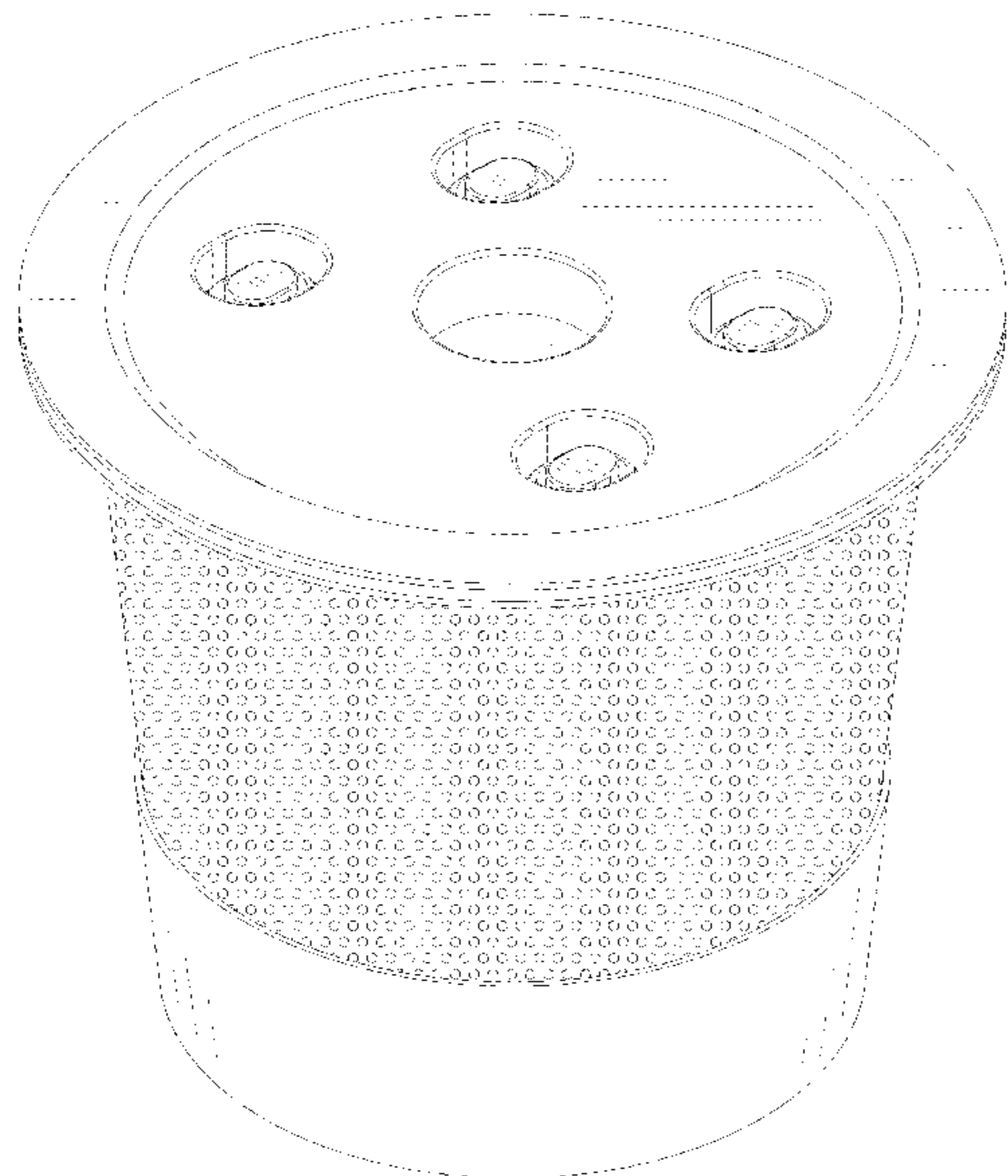
FIG. 1 is a top perspective view of a coffee filter showing my new design;  
FIG. 2 is a bottom perspective view thereof;  
FIG. 3 is a front elevational view thereof;  
FIG. 4 is a rear elevational view thereof;  
FIG. 5 is a left side elevational view thereof;  
FIG. 6 is a right side elevational view thereof;  
FIG. 7 is a top plan view thereof; and,  
FIG. 8 is a bottom plan view thereof.

**1 Claim, 8 Drawing Sheets**

(56) **References Cited**

**U.S. PATENT DOCUMENTS**

3,560,131 A \* 2/1971 Yotsumoto ..... B01D 29/21  
55/498  
D292,365 S \* 10/1987 Bozarth ..... D7/387  
D444,039 S \* 6/2001 Tong ..... D7/667  
D688,095 S \* 8/2013 DeMiglio ..... D7/400  
D747,139 S \* 1/2016 Rondelli ..... D7/400  
D753,954 S 4/2016 Schreiber  
D764,226 S \* 8/2016 Ming ..... D7/400  
D787,152 S \* 5/2017 Huthmaker ..... D1/128  
D845,704 S \* 4/2019 Xu ..... D7/400  
D860,724 S \* 9/2019 Kassin ..... D7/400  
D897,517 S \* 9/2020 Wolf ..... D23/365  
D924,640 S \* 7/2021 Kuo ..... A47J 27/10  
D7/667  
D931,045 S \* 9/2021 Sasena ..... D7/400



(56)

**References Cited**

OTHER PUBLICATIONS

Xiamenshiyuweigongmaoyouxiangongsi, "Reusable K Cup for Keurig K Supreme machine," Dec. 28, 2021, Amazon.com, [www.amazon.com/dp/B09NCSP2GJ?th=1](http://www.amazon.com/dp/B09NCSP2GJ?th=1) (Year: 2021).\*

DeliBru, "DeliBru Reusable K Cups for Keurig Supreme and K Supreme Plus Coffee Pods," Mar. 19, 2021, Amazon.com, [www.amazon.com/dp/B09DXZLQ5F](http://www.amazon.com/dp/B09DXZLQ5F) (Year: 2021).\*

DeliBru, "Reusable K cups for Keurig Supreme and K Supreme Plus Coffee Makers," Feb. 25, 2021, Amazon.com, [www.amazon.com/Reusable-Keurig-Supreme-Coffee-Delibru/dp/B08XK833L1](http://www.amazon.com/Reusable-Keurig-Supreme-Coffee-Delibru/dp/B08XK833L1) (Year: 2021).\*

\* cited by examiner

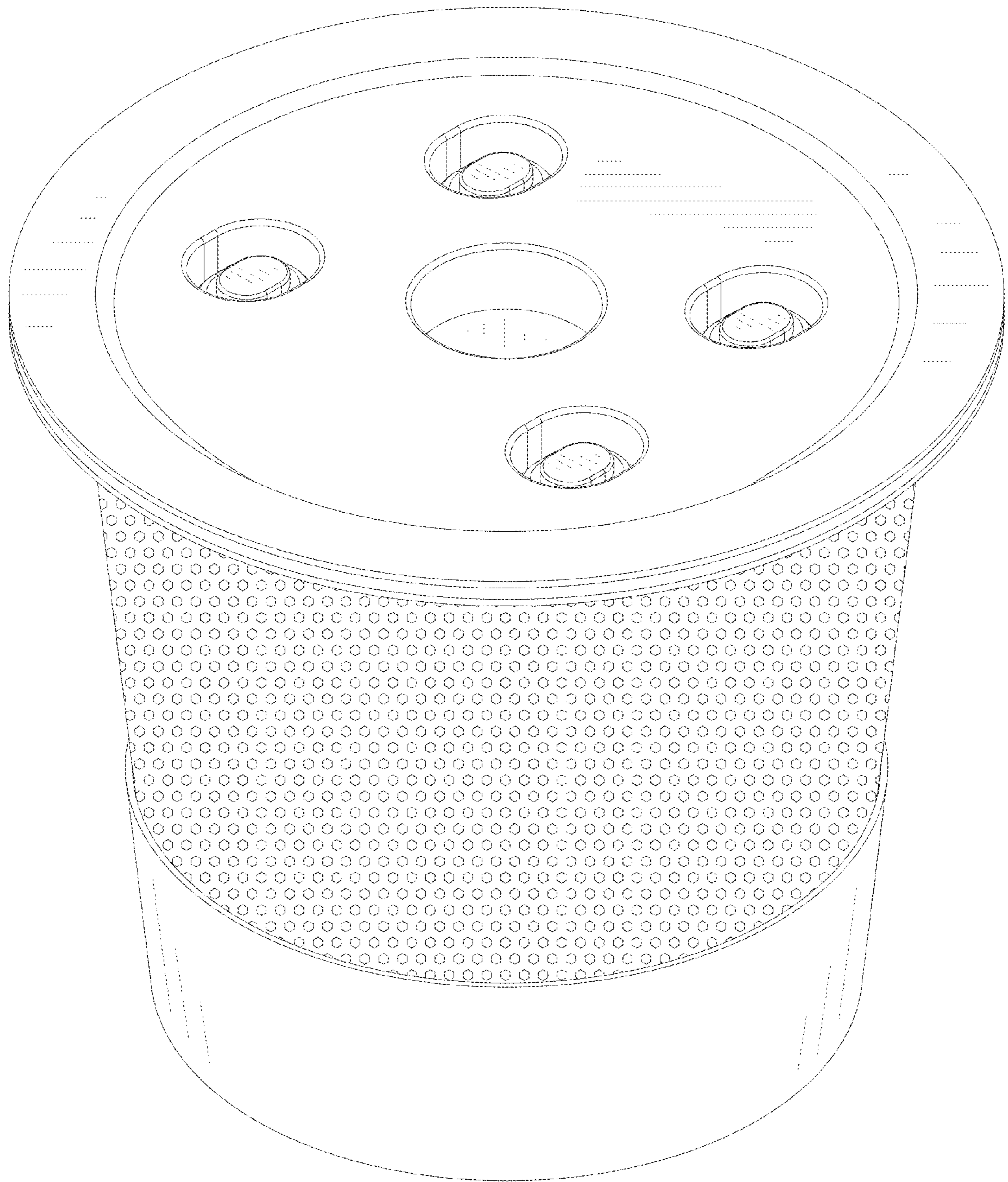


FIG.1

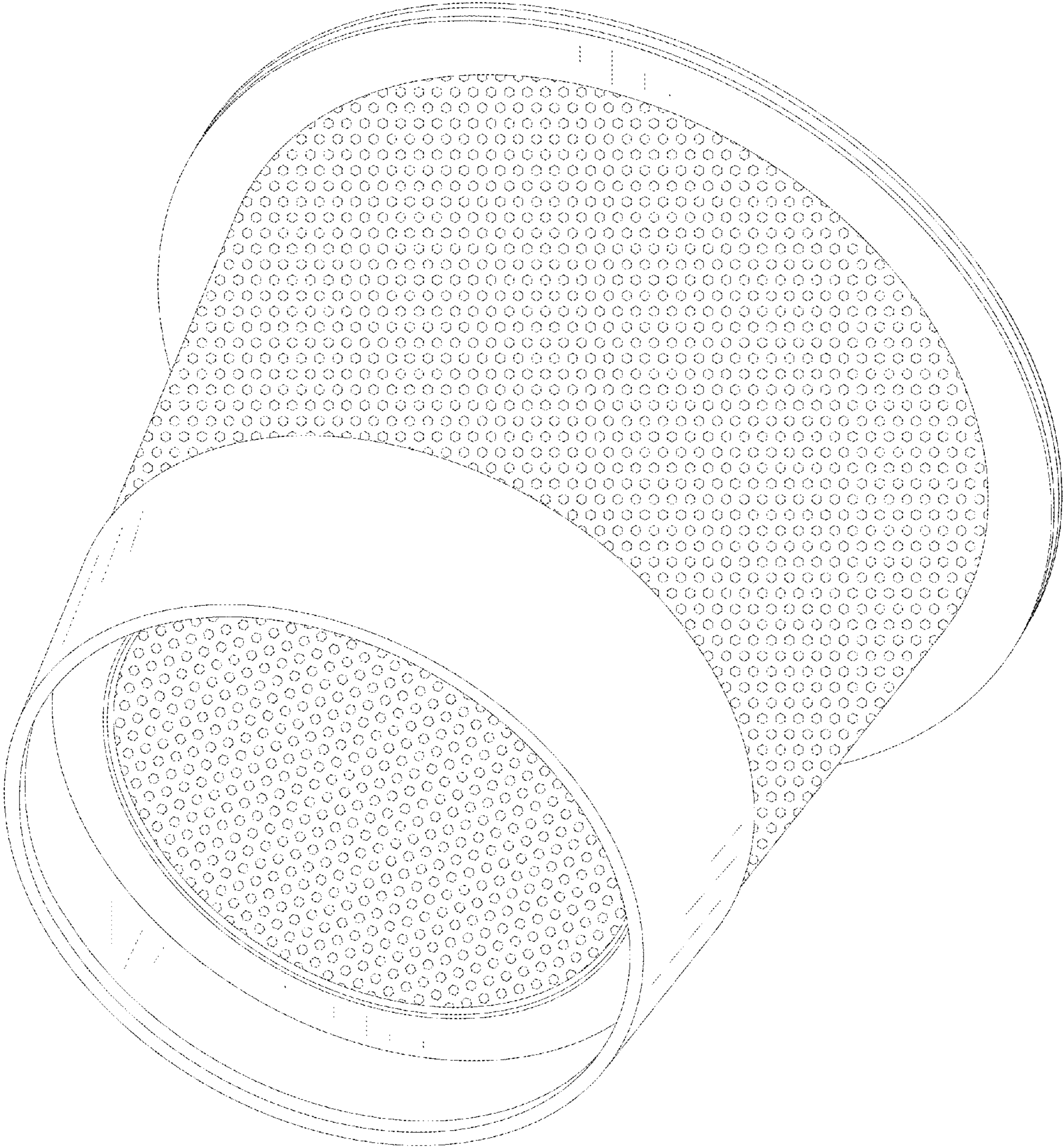


FIG. 2

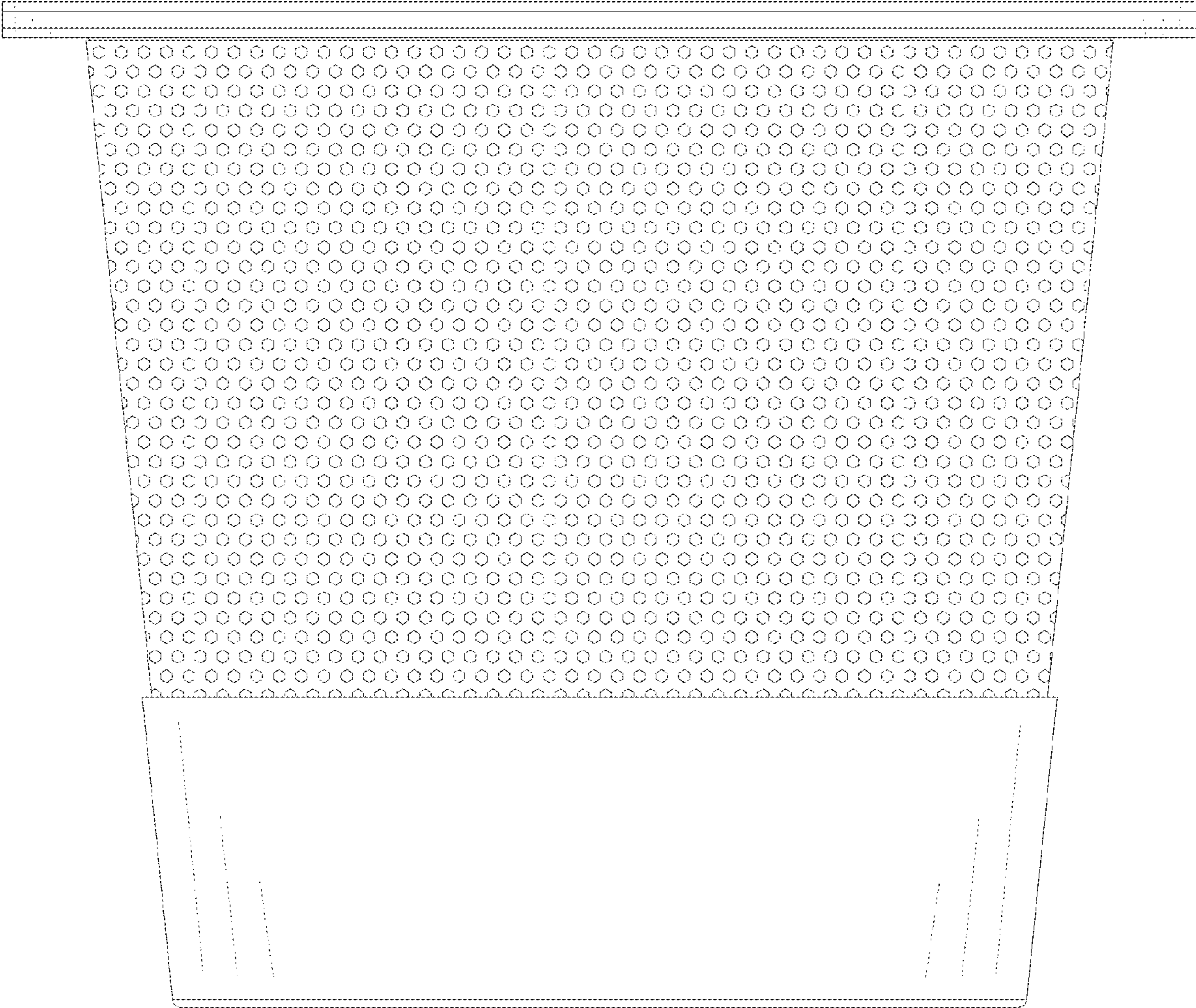


FIG. 3

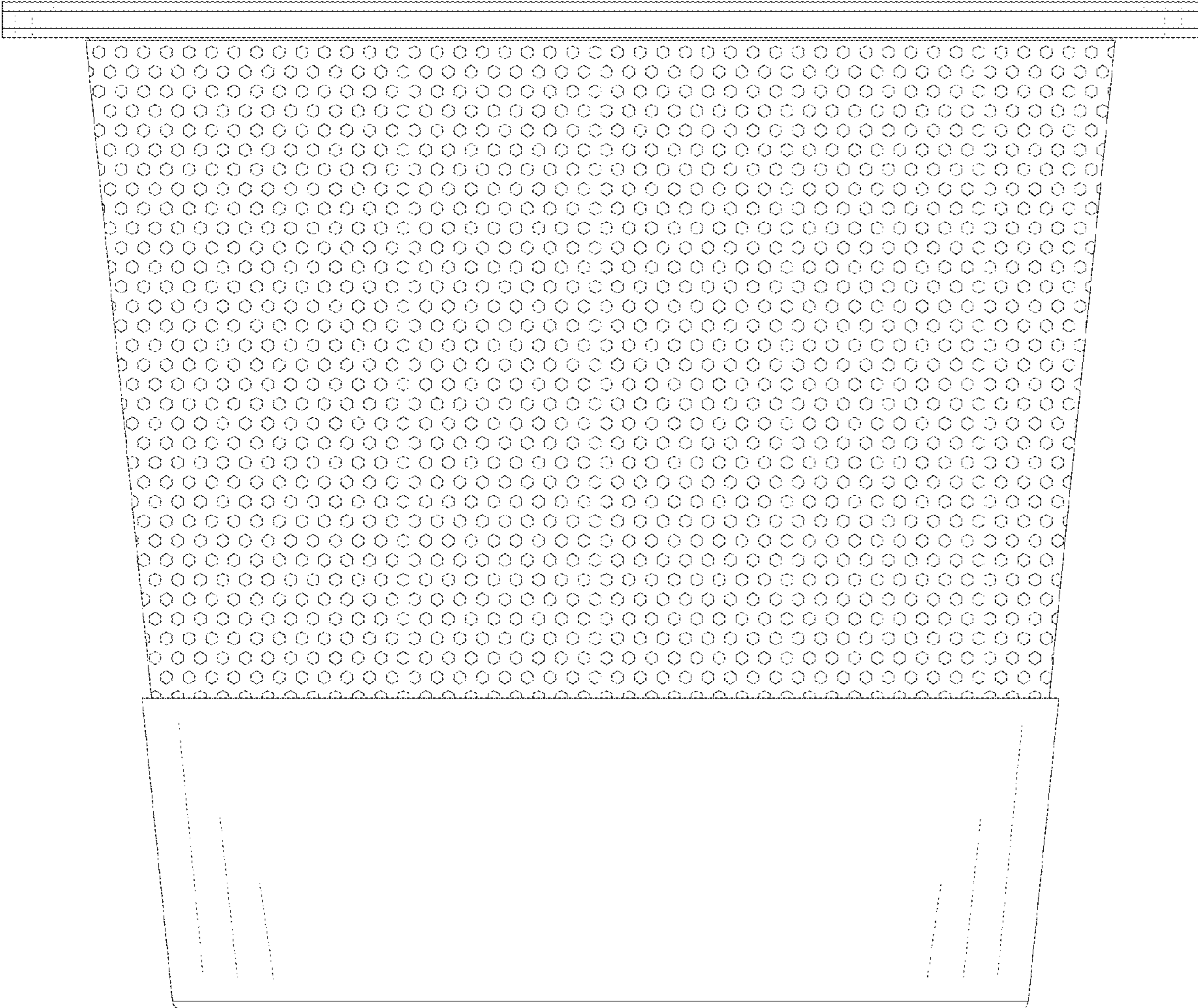


FIG. 4

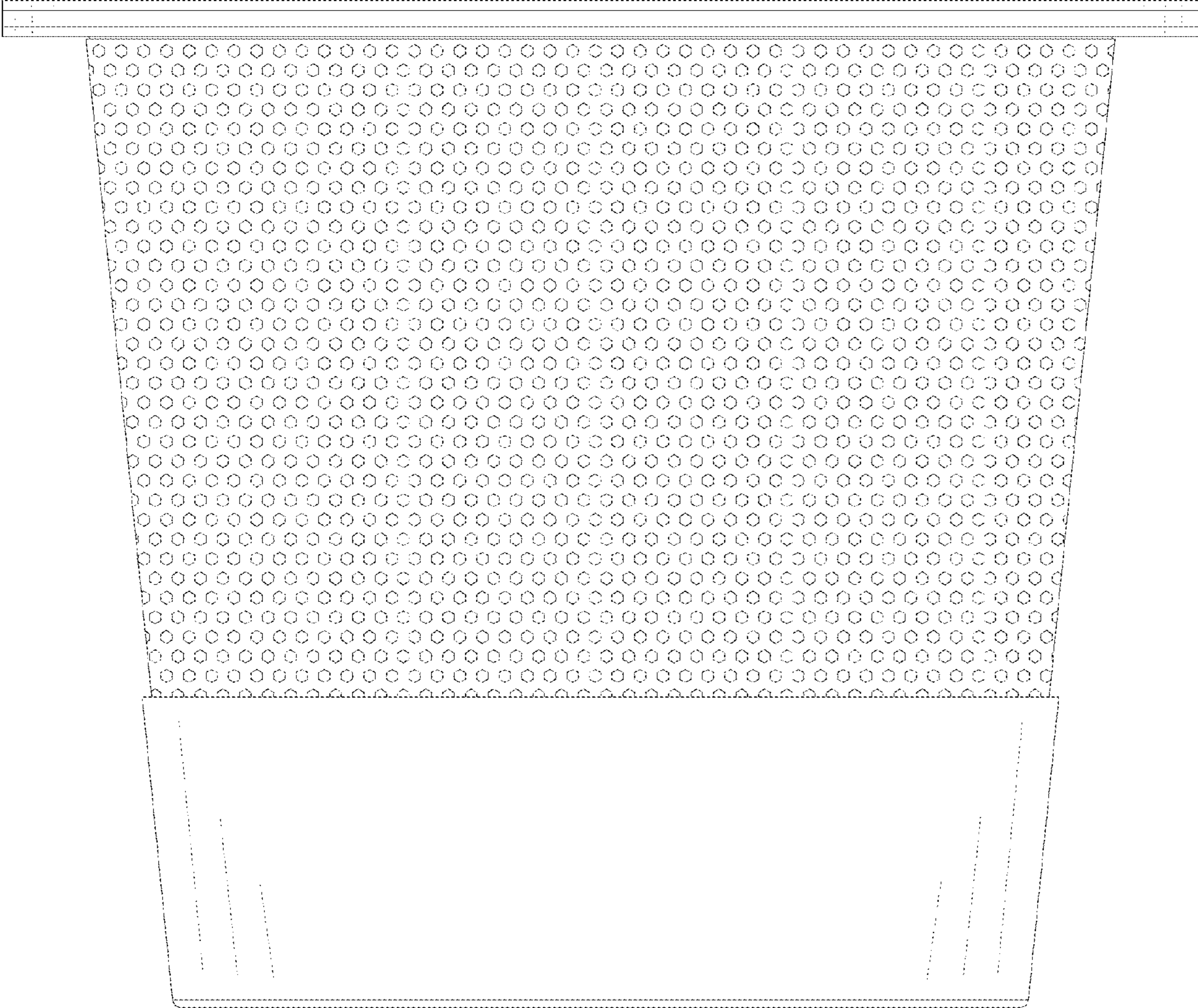


FIG. 5

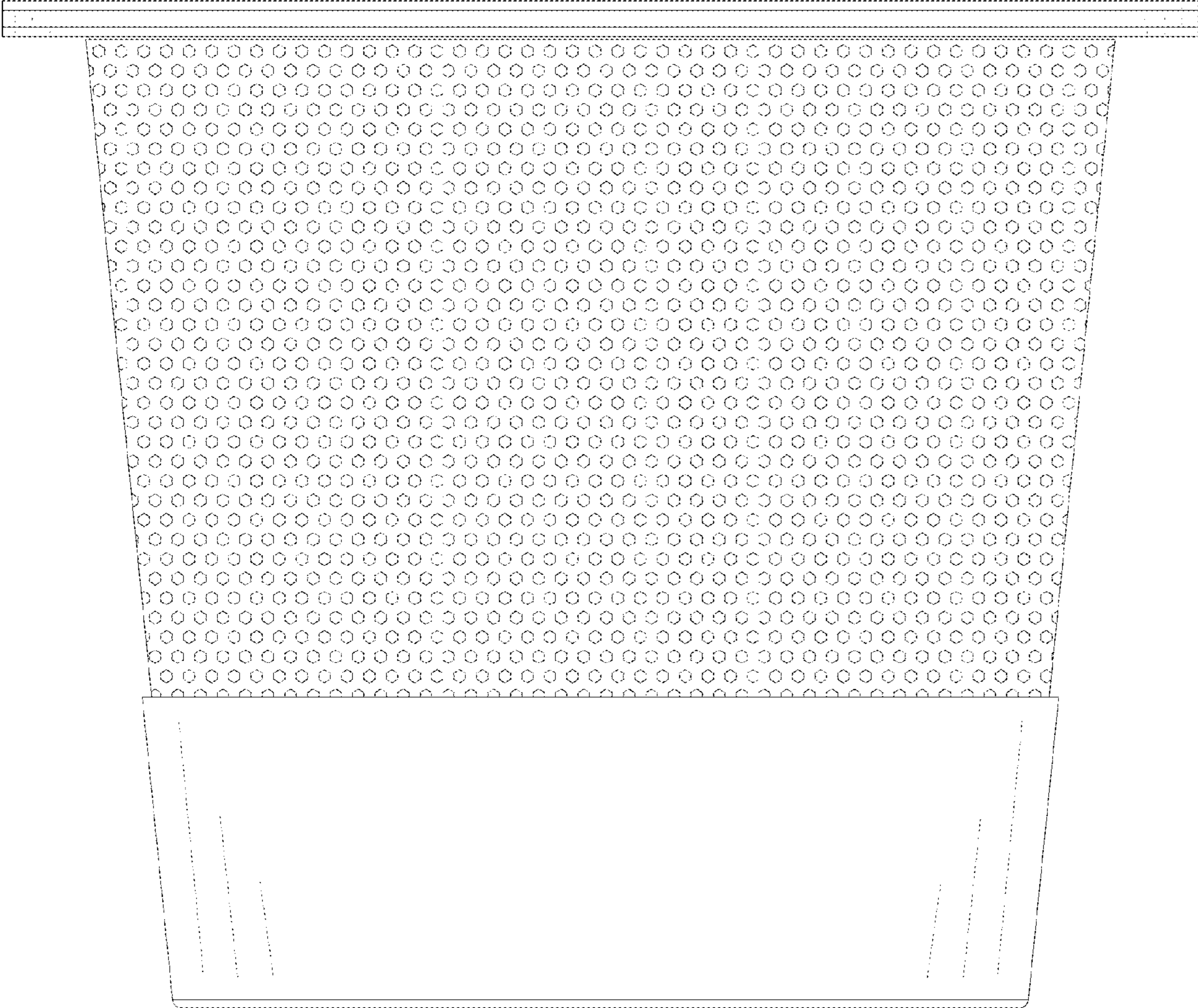


FIG. 6



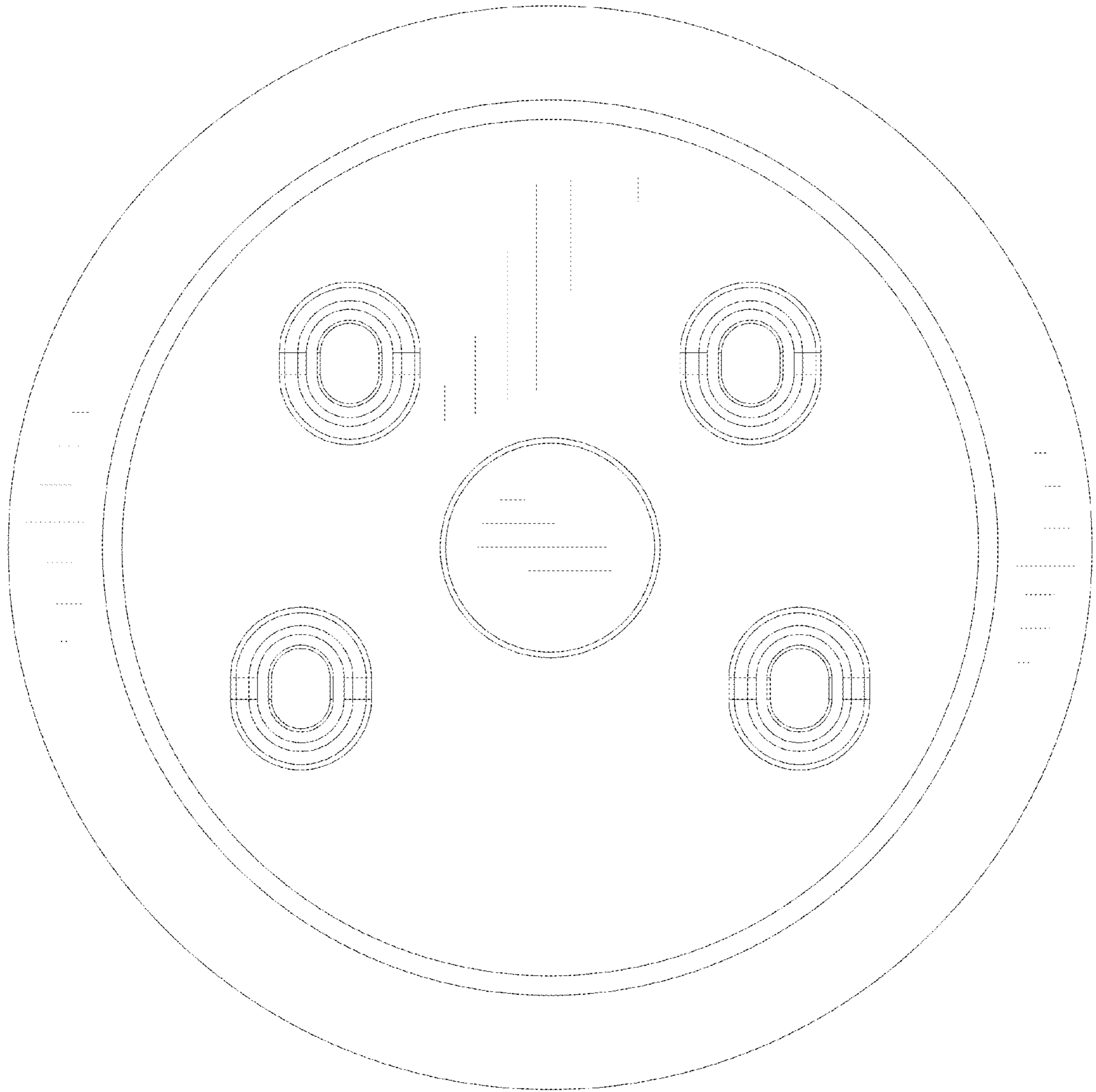


FIG. 7

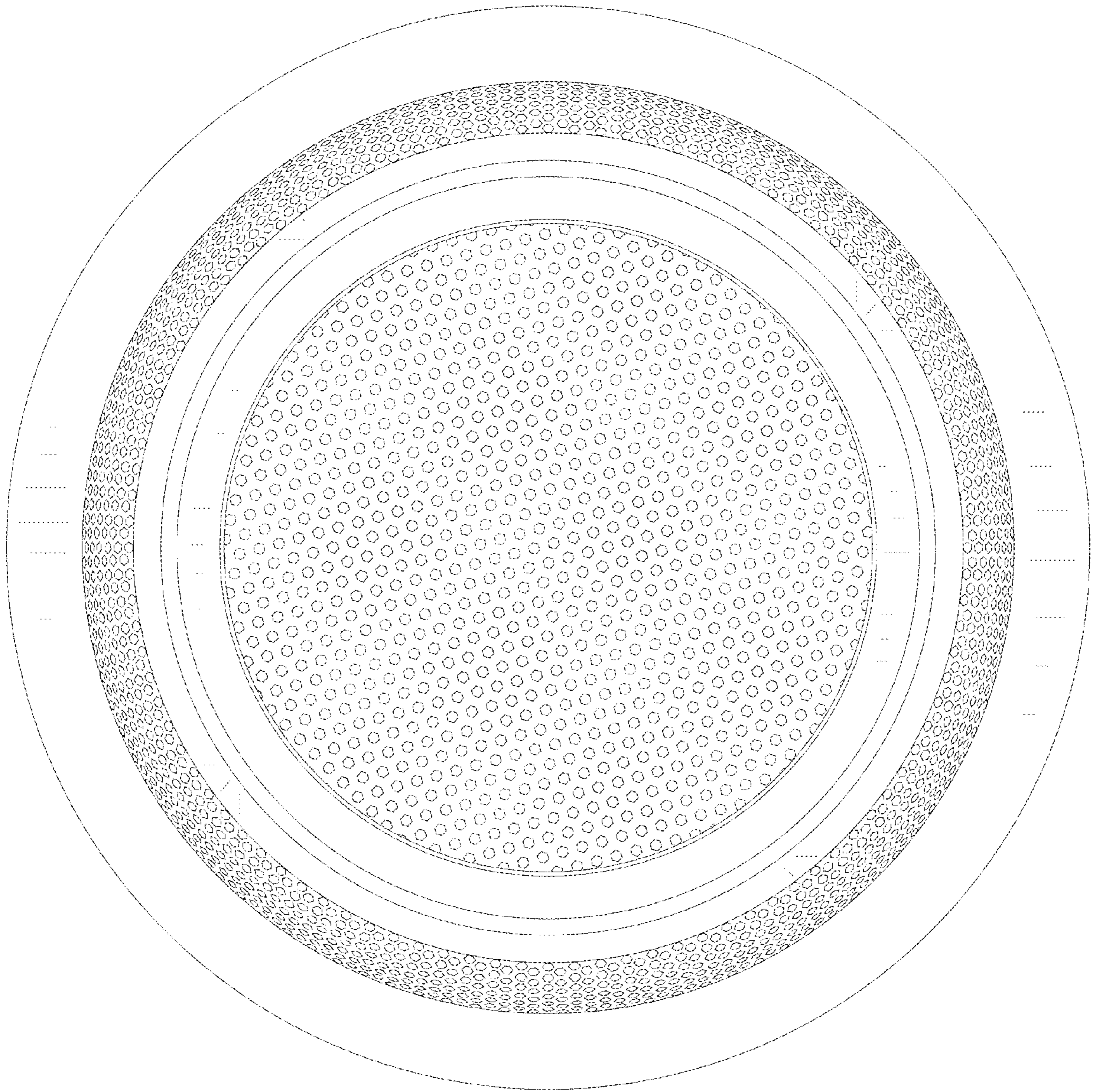


FIG. 8