



US00D986673S

(12) **United States Design Patent**
Huang

(10) **Patent No.:** **US D986,673 S**

(45) **Date of Patent:** **** May 23, 2023**

(54) **BOTTLE LID**

(71) Applicant: **Mufa Huang**, Xiamen (CN)

(72) Inventor: **Mufa Huang**, Xiamen (CN)

(**) Term: **15 Years**

(21) Appl. No.: **29/808,622**

(22) Filed: **Sep. 22, 2021**

(51) **LOC (14) Cl.** **07-09**

(52) **U.S. Cl.**
USPC **D7/392.1**

(58) **Field of Classification Search**
USPC D7/300.2, 392, 392.1, 387, 396.1, 396.2,
D7/316, 397, 510, 511; D9/447, 435,
D9/437-439, 450, 454, 449, 436, 499,
D9/440, 443
CPC B65D 43/021; B65D 47/265; B65D 1/265
See application file for complete search history.

(56) **References Cited**

U.S. PATENT DOCUMENTS

D802,993 S	*	11/2017	Joseph	D7/392.1
D808,711 S	*	1/2018	Joseph	D7/392.1
D810,502 S	*	2/2018	Joseph	D7/392.1
D811,810 S	*	3/2018	Joseph	D7/392.1
D816,411 S	*	5/2018	Stover	D7/532
D838,549 S	*	1/2019	Gu	D3/202
D858,182 S	*	9/2019	Keung	D7/392.1
D884,419 S	*	5/2020	Backs	D7/397

D903,418 S	*	12/2020	Hu	D7/532
D917,953 S		5/2021	Yao		
D920,046 S	*	5/2021	Backs	D7/510
D922,136 S		6/2021	Lin et al.		
D929,802 S	*	9/2021	Han	D7/392.1
D938,223 S	*	12/2021	Chen	D7/392.1
D950,306 S	*	5/2022	Peng	D7/392.1
D957,197 S	*	7/2022	Zhang	D7/392.1
2014/0048511 A1	*	2/2014	El-Saden	A47G 19/2266 215/389

* cited by examiner

Primary Examiner — S. Bryan Reinholdt, Jr.

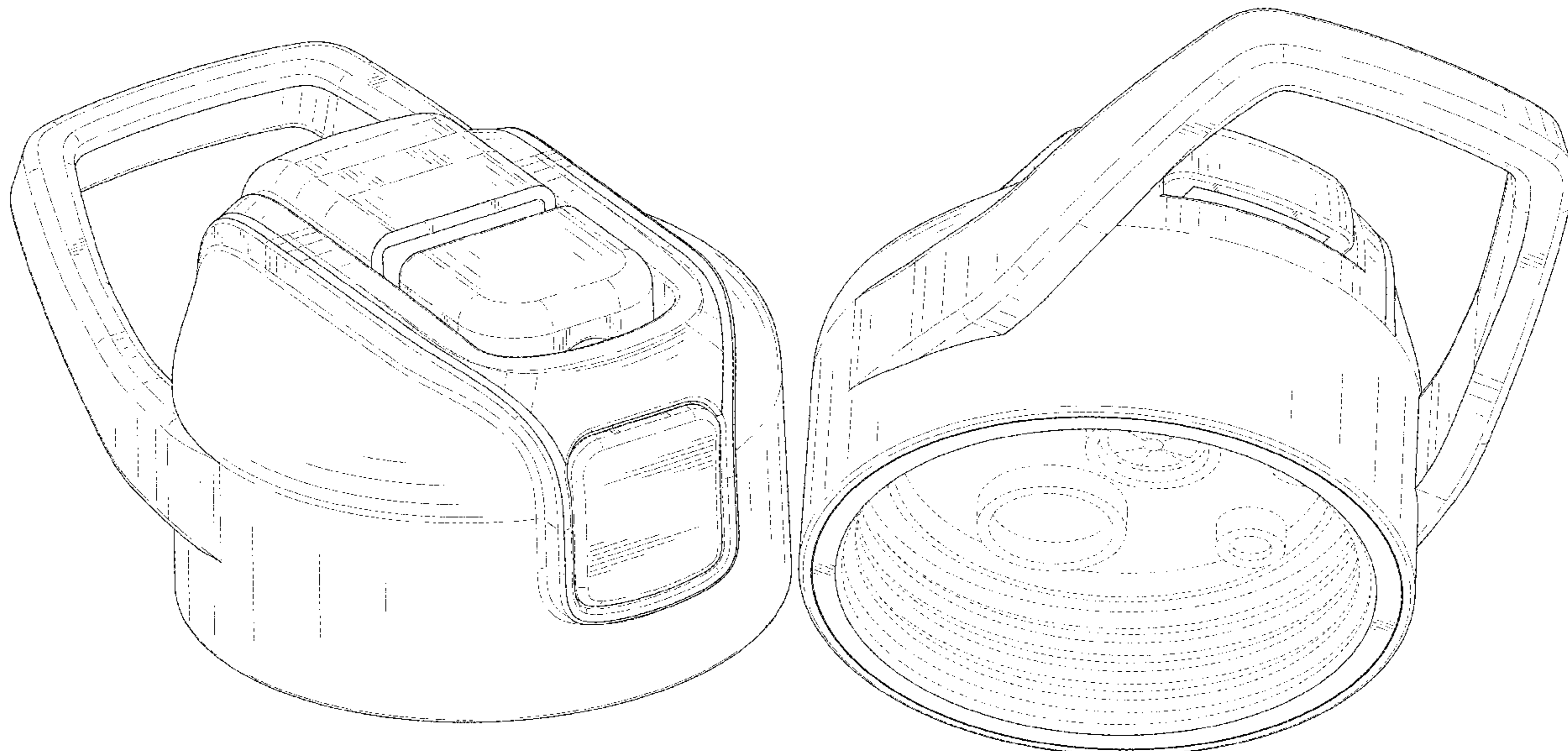
(57) **CLAIM**

The ornamental design for a bottle lid, as shown and described.

DESCRIPTION

FIG. 1 is a perspective view of a bottle lid showing my new design;
FIG. 2 is another perspective view thereof;
FIG. 3 is a front elevational view thereof;
FIG. 4 is a rear elevational view thereof;
FIG. 5 is a left side elevational view thereof;
FIG. 6 is a right side elevational view thereof;
FIG. 7 is a top plan view thereof;
FIG. 8 is a bottom plan view thereof; and,
FIG. 9 is a perspective view of the bottle lid where the bottle lid is in a configuration of use.
The broken lines in FIG. 9 depict environment of a bottle that forms no part of the claimed design.

1 Claim, 9 Drawing Sheets



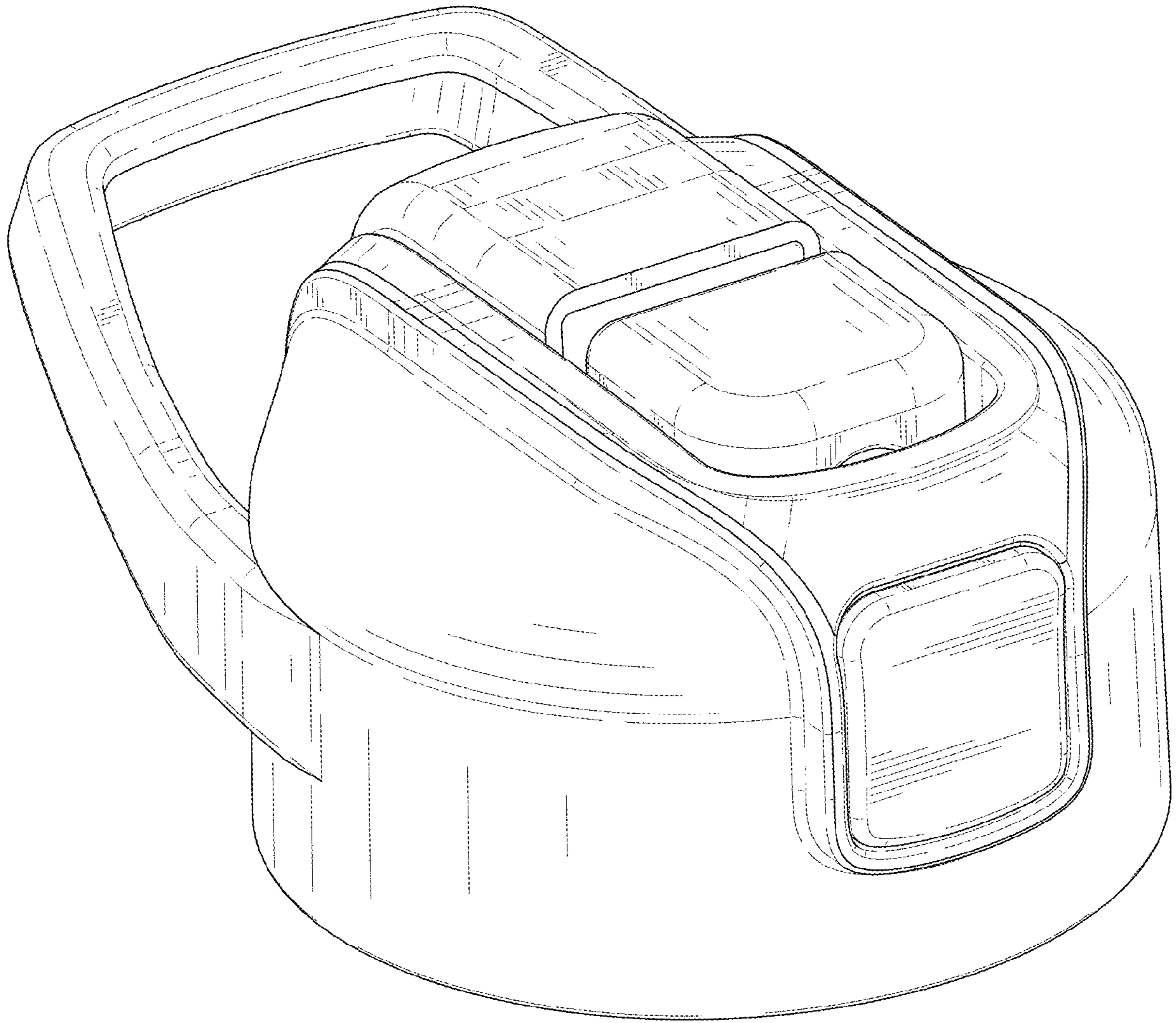


FIG. 1

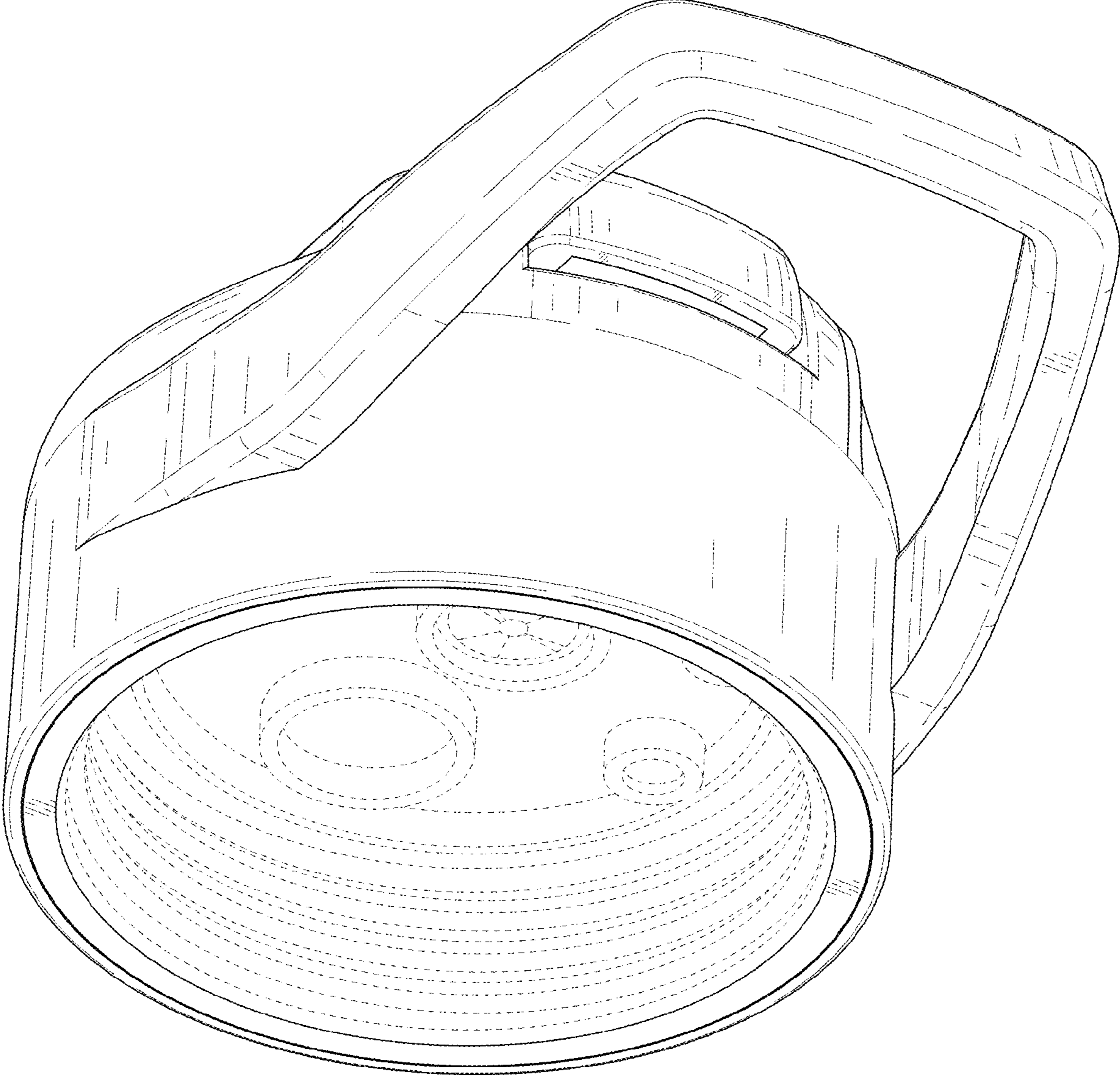


FIG. 2

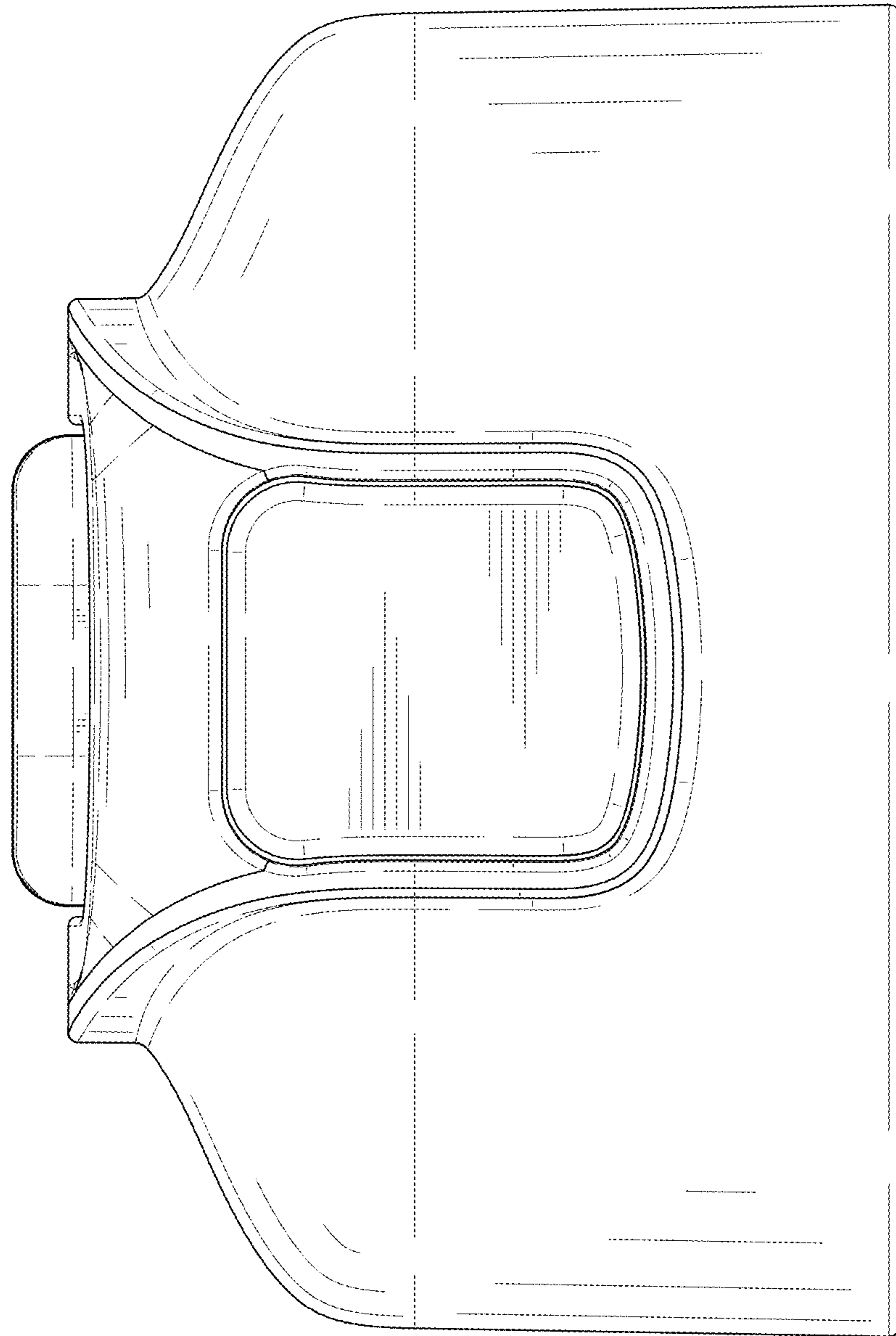


FIG. 3

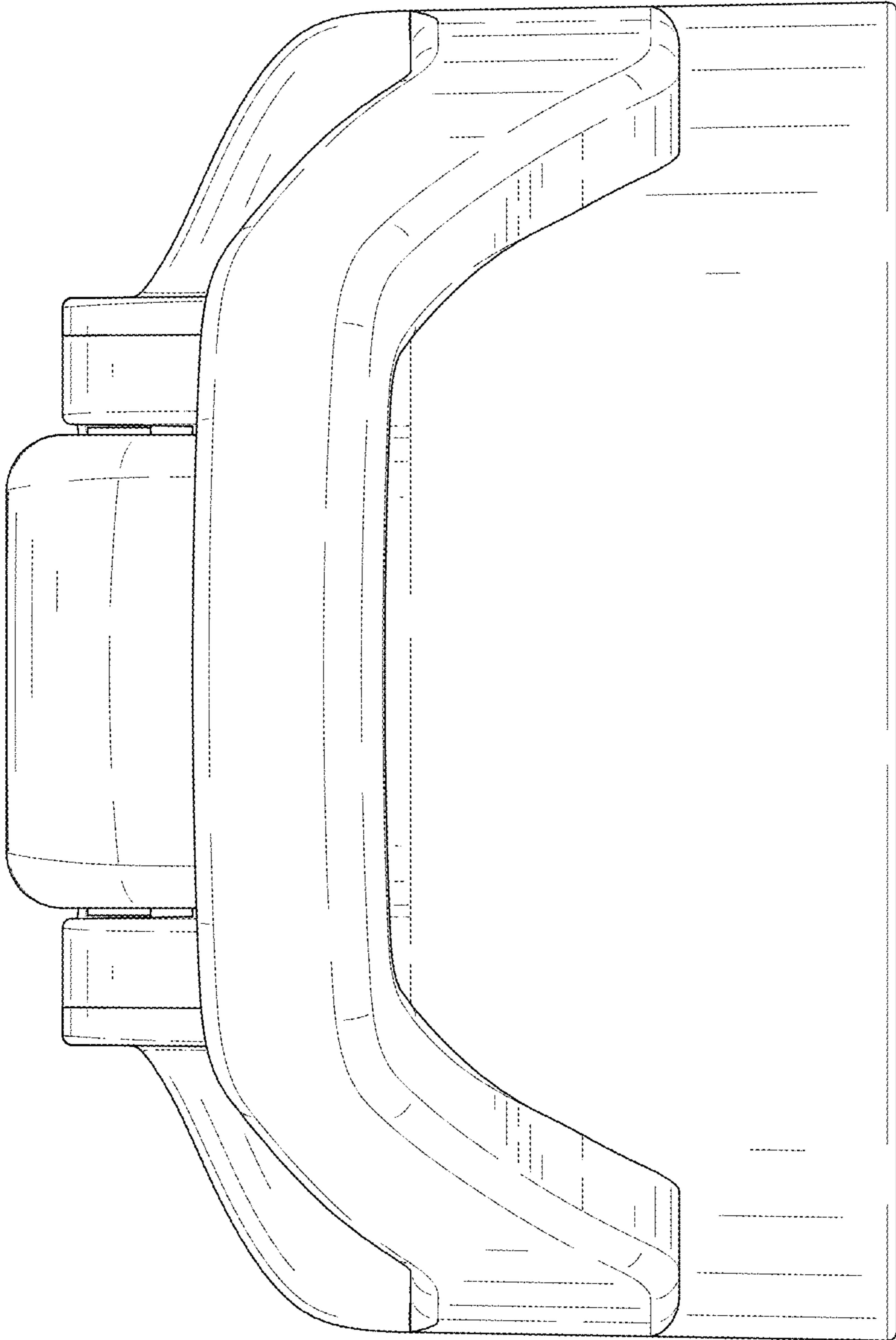


FIG. 4

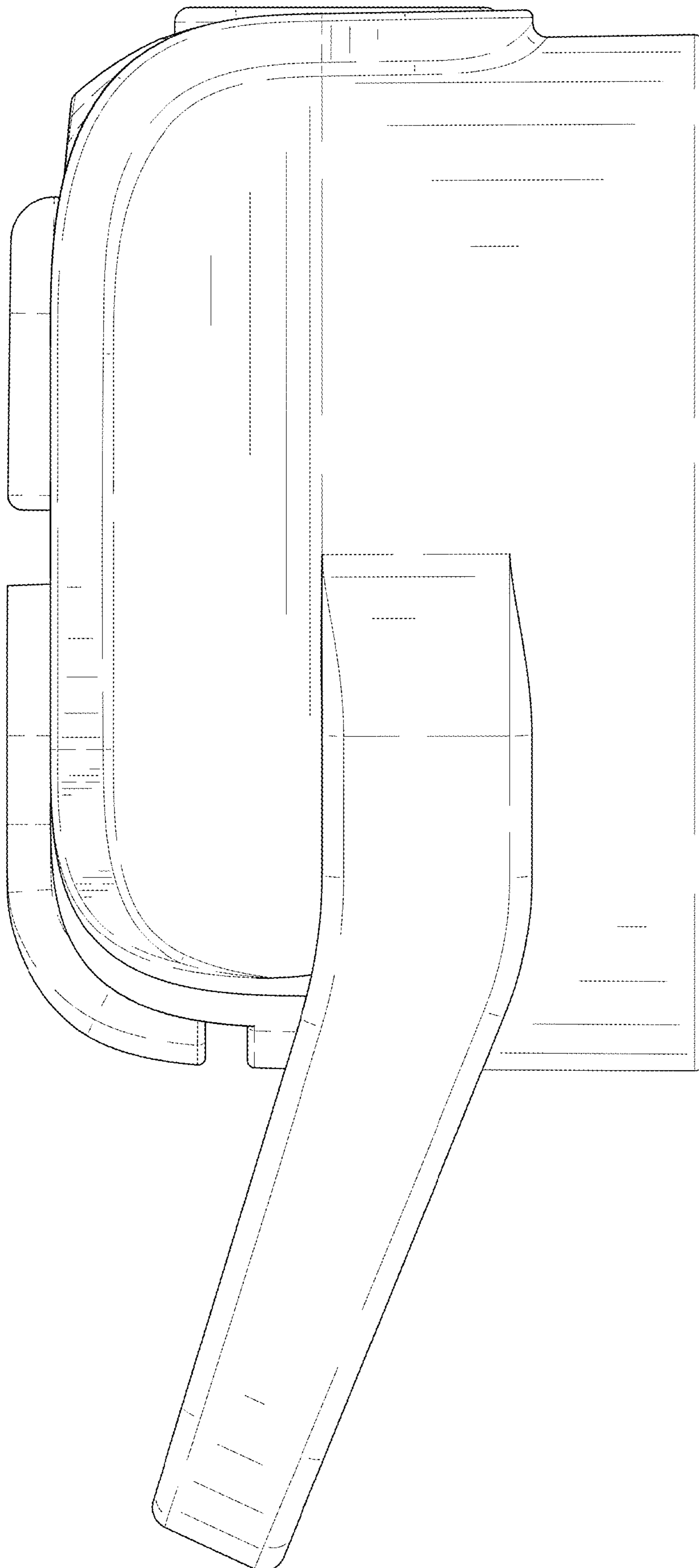


FIG. 5

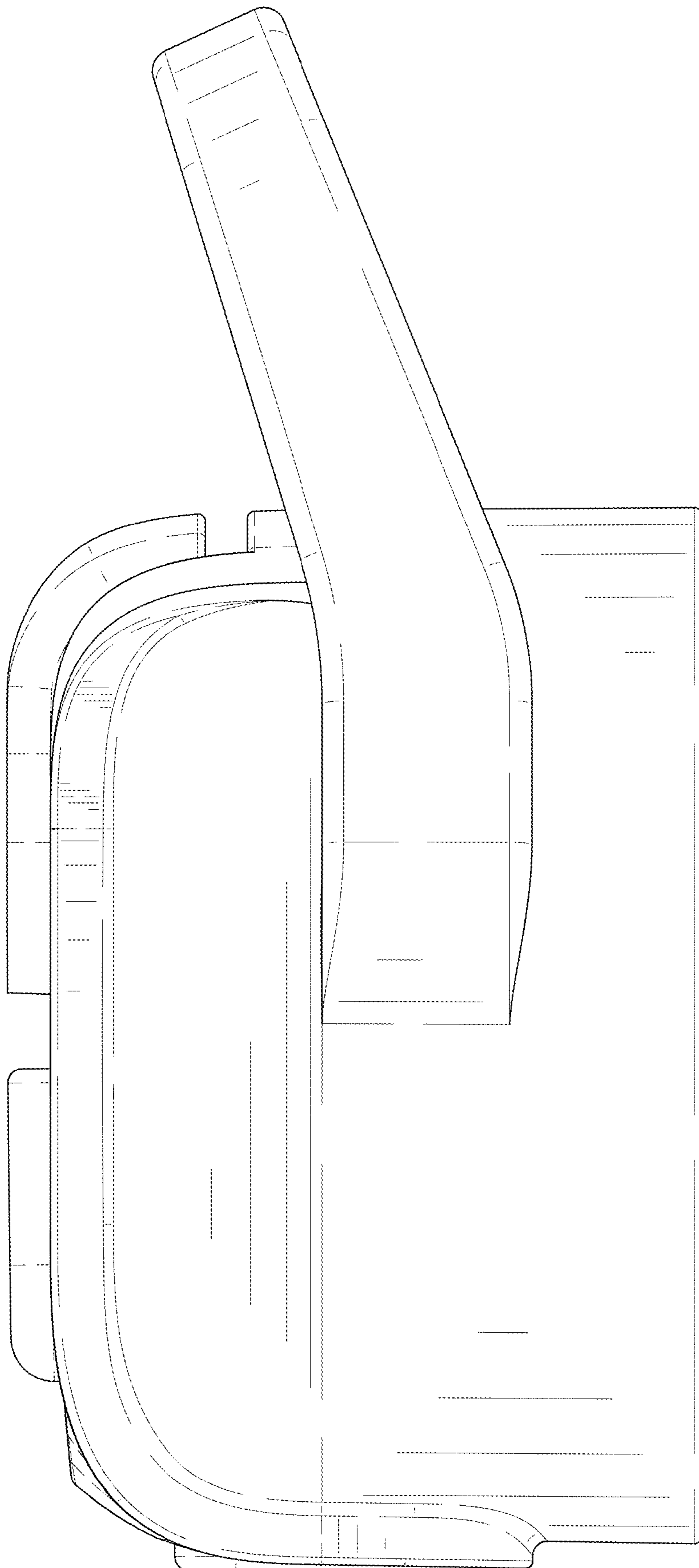


FIG. 6

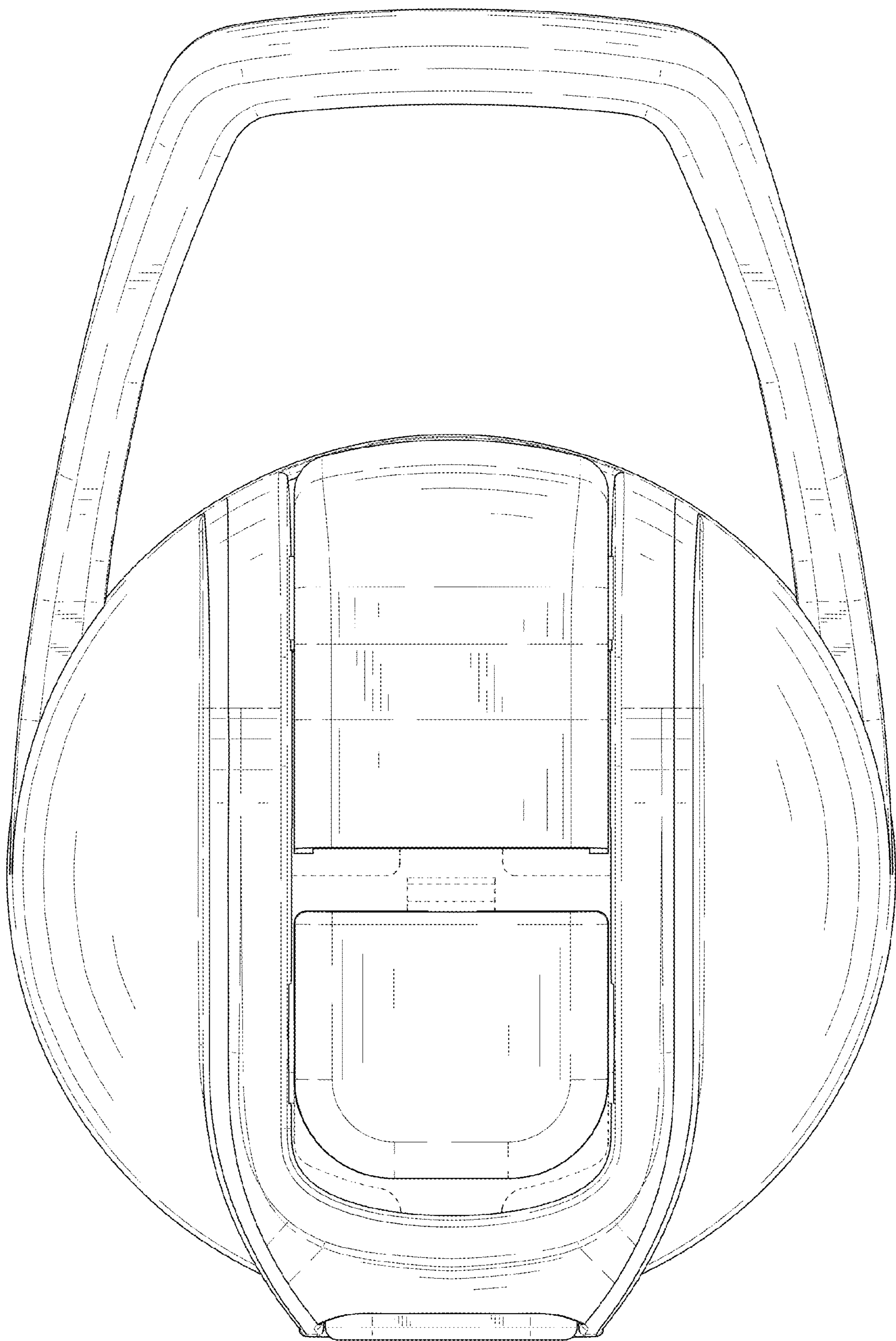


FIG. 7

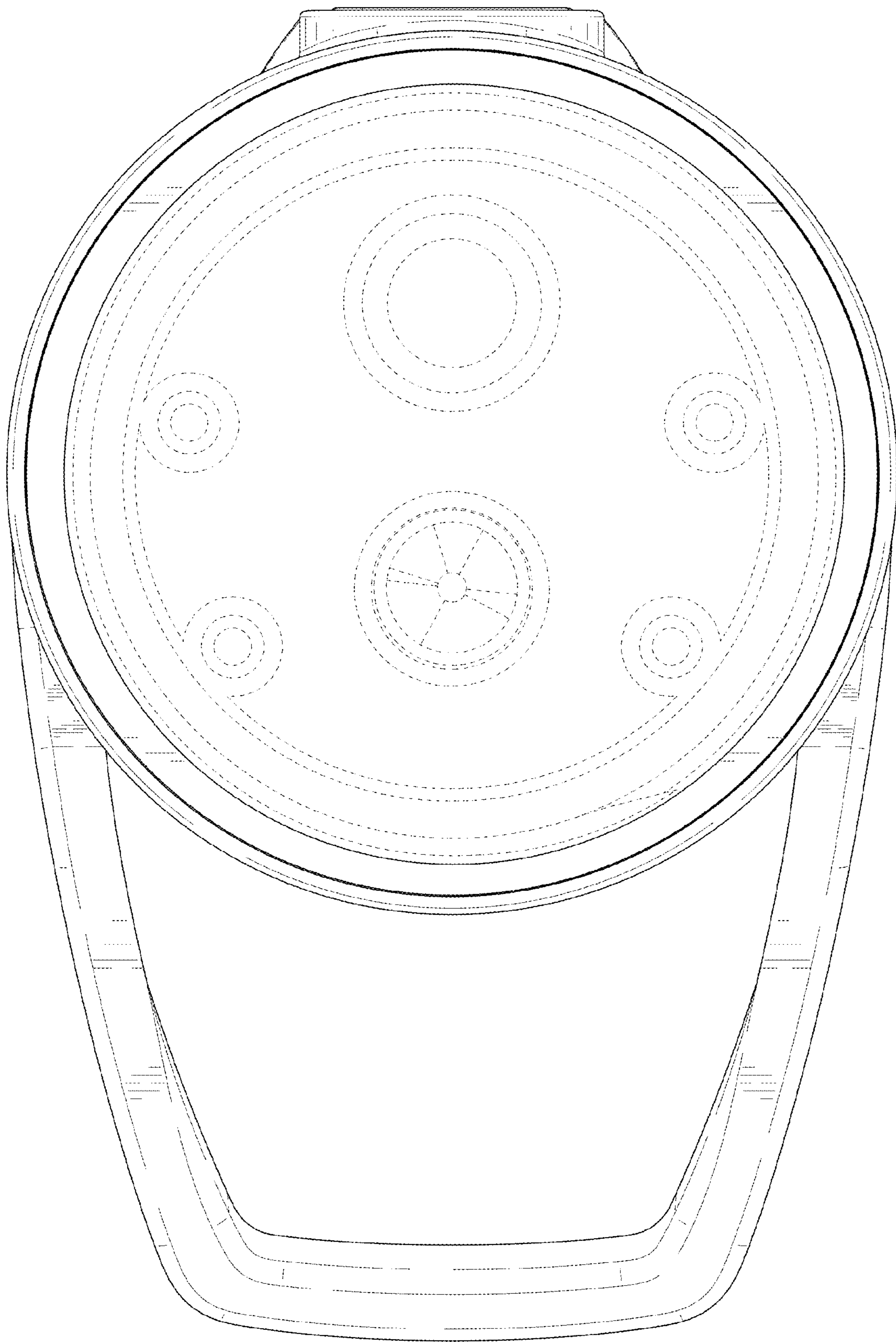


FIG. 8

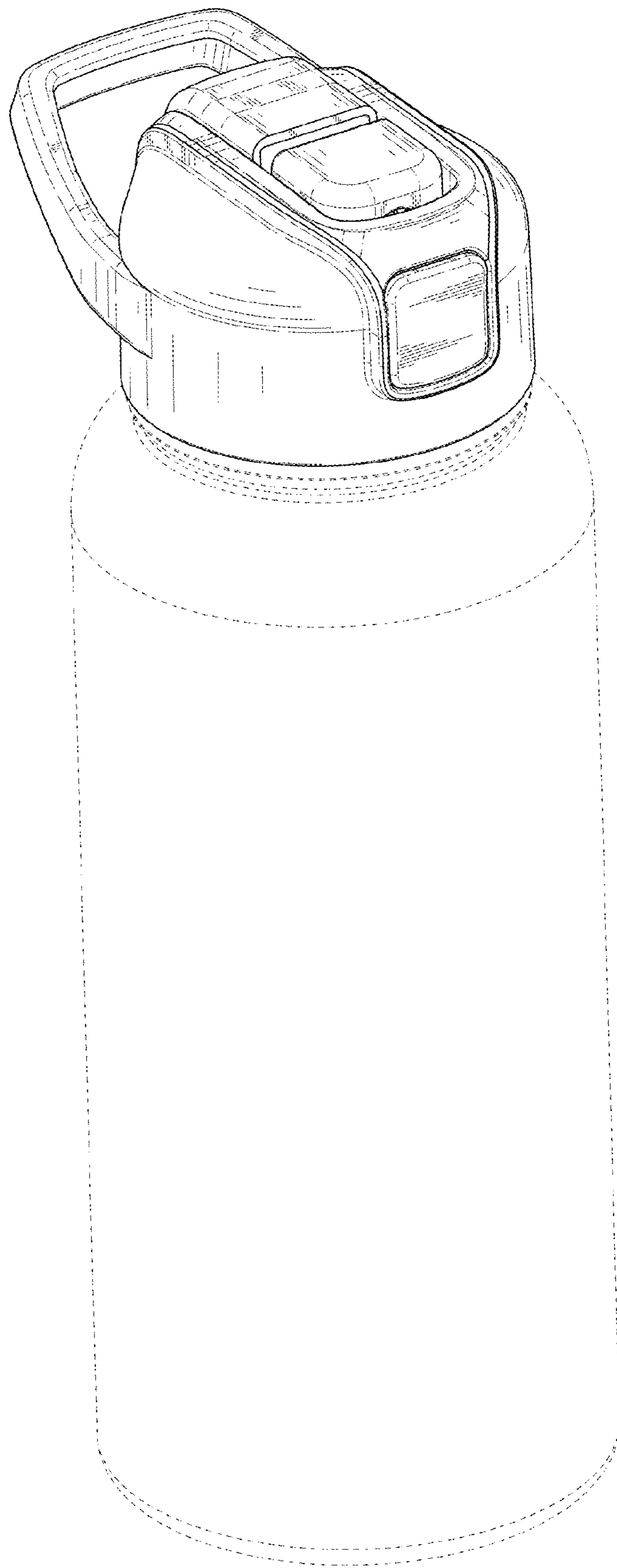


FIG. 9