



US00D986672S

(12) **United States Design Patent** (10) **Patent No.:** **US D986,672 S**
Volkoff et al. (45) **Date of Patent:** **** May 23, 2023**

(54) **CAP FOR A DRINKING VESSEL**
(71) Applicant: **Helen of Troy Limited**, St. Michael (BB)
(72) Inventors: **Jarett Alexander Volkoff**, Bend, OR (US); **Jeff Thomas Burga**, Bend, OR (US); **Wesley Alan Steen**, Bend, OR (US)

D700,014 S 2/2014 Zeanah
D704,986 S 5/2014 Manies
D720,218 S 12/2014 Hutson
D724,385 S * 3/2015 Hurley D7/511
D786,012 S 5/2017 Hein
D799,320 S 10/2017 Goodwin
D806,468 S 1/2018 Goodwin
D812,966 S 3/2018 Murosky
D814,855 S 4/2018 Hammer
D823,061 S 7/2018 Murosky
(Continued)

(73) Assignee: **Helen of Troy Limited**, St. Michael (BB)

(**) Term: **15 Years**

(21) Appl. No.: **29/746,546**

(22) Filed: **Aug. 14, 2020**

(51) **LOC (14) Cl.** **07-01**

(52) **U.S. Cl.**
USPC **D7/396.2; D7/392.1**

(58) **Field of Classification Search**
USPC D7/372, 376-386, 391, 392.1, 396.2, D7/412-413, 511, 602, 629, 665-666, D7/669, 679, 693-694

CPC A21C 1/02; A21C 1/04; A23N 1/00; A23N 1/02; A47J 43/04; A47J 43/25; A47J 43/27; A47J 43/042; A47J 43/044; A47J 43/046; A47J 43/075; A47J 43/0722; A47J 43/0727; B01F 3/00; B01F 3/0807; B01F 3/0853; B01F 13/0059; B01F 13/0064; B02C 1/08; B02C 2/04; B02C 4/42; B02C 4/142; B02C 4/143; B02C 4/423; B02C 13/1835; B28C 5/10; B28C 5/12; B28C 5/14; B28C 5/16

See application file for complete search history.

(56) **References Cited**

U.S. PATENT DOCUMENTS

D387,621 S 12/1997 Sullivan et al.
D649,879 S 12/2011 Gullickson et al.
D685,606 S 7/2013 Keys et al.

OTHER PUBLICATIONS

Beast Hydration System. Date First Available on Amazon.com Aug. 28, 2021. [https://www.amazon.com/dp/B093JM4Q4N/ref\(Year: 2021\).*](https://www.amazon.com/dp/B093JM4Q4N/ref(Year: 2021).*)

Primary Examiner — Ricky Pham

(74) *Attorney, Agent, or Firm* — Rankin, Hill & Clark LLP

(57) **CLAIM**

The ornamental design for a cap for a drinking vessel, as shown and described.

DESCRIPTION

FIG. 1 is a top, right side perspective view of a new, original and ornamental design for a cap for a drinking vessel, wherein an upper cap member is positioned on a lower cap member;

FIG. 2 is a front elevation of FIG. 1;

FIG. 3 is a rear elevation view of FIG. 1;

FIG. 4 is a left side elevation view of FIG. 1;

FIG. 5 is a right side elevation view of FIG. 1;

FIG. 6 is a top plan view of FIG. 1;

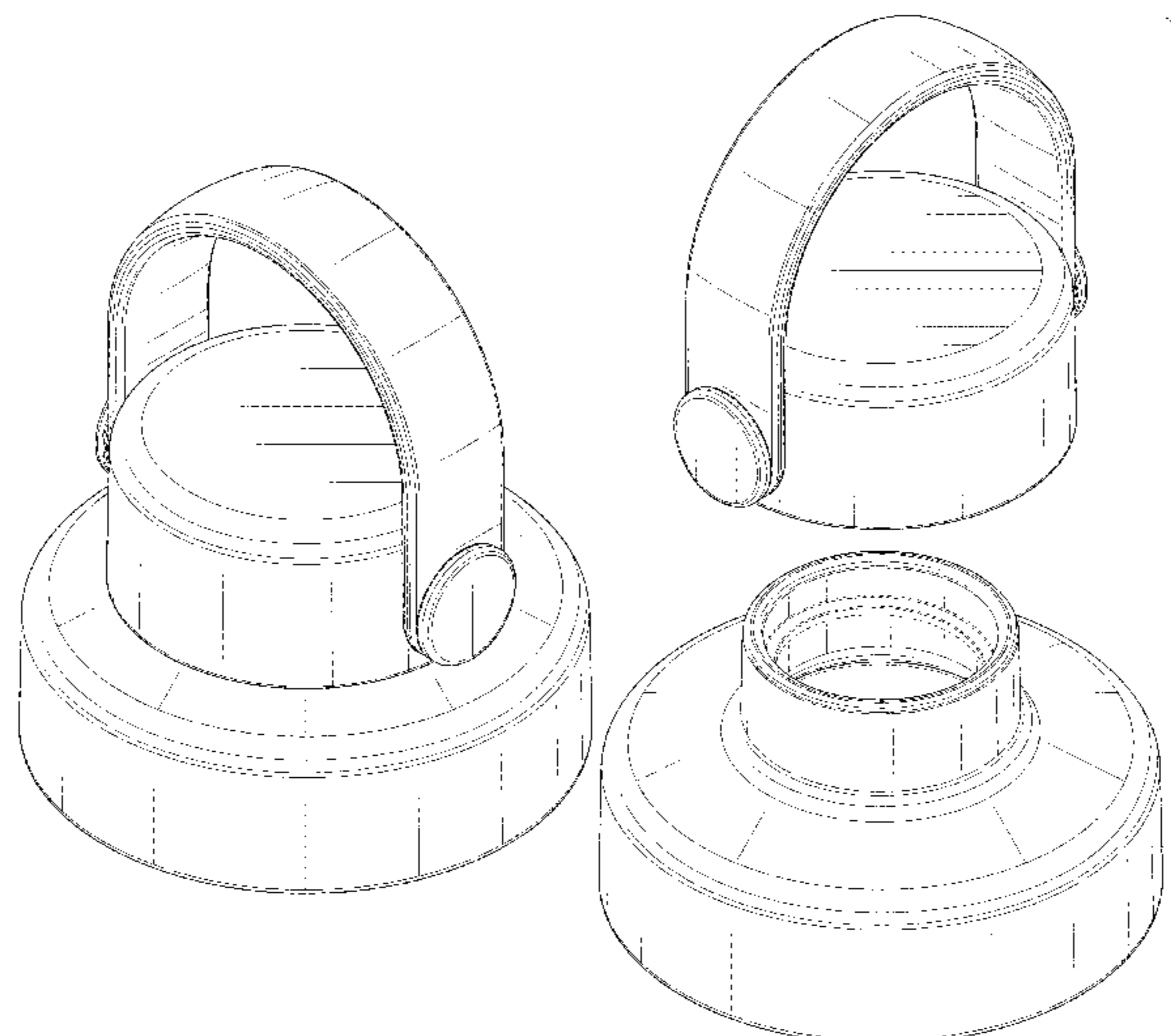
FIG. 7 is a bottom plan view of FIG. 1;

FIG. 8 is a top, right side perspective view of the cap for a drinking vessel, wherein the upper cap member is removed from the lower cap member; and,

FIG. 9 is a top, left side perspective view of FIG. 8.

The broken lines in the drawings depict portions of the cap for a drinking vessel that form no part of the claimed design.

1 Claim, 9 Drawing Sheets



(56)

References Cited

U.S. PATENT DOCUMENTS

D838,549	S	1/2019	Gu	
D842,646	S	3/2019	Silsby	
D844,376	S	4/2019	Rosette	
D849,482	S	5/2019	Diener	
D857,446	S *	8/2019	Bell	D7/392.1
D872,522	S	1/2020	Diener et al.	
D875,466	S *	2/2020	Diener	D7/392.1
D880,230	S *	4/2020	Jacobsen	D7/397
D881,642	S	4/2020	Zhang	
D897,761	S *	10/2020	Zhang	D9/450
D903,405	S *	12/2020	Zhang	D7/392.1
D905,499	S *	12/2020	Zhang	D9/450
D911,771	S *	3/2021	Zhang	D7/392.1
D922,140	S *	6/2021	Taylor	D7/396.2
D930,430	S *	9/2021	Li	D7/392.1
D931,042	S *	9/2021	Burga	D7/392.1
D946,347	S *	3/2022	Zhang	D7/392.1
D959,202	S *	8/2022	Lin	D7/510
2006/0226110	A1	10/2006	Choi	
2014/0138395	A1	5/2014	Joy	
2016/0318693	A1	11/2016	Hein	
2018/0362221	A1	12/2018	Hooks	

* cited by examiner

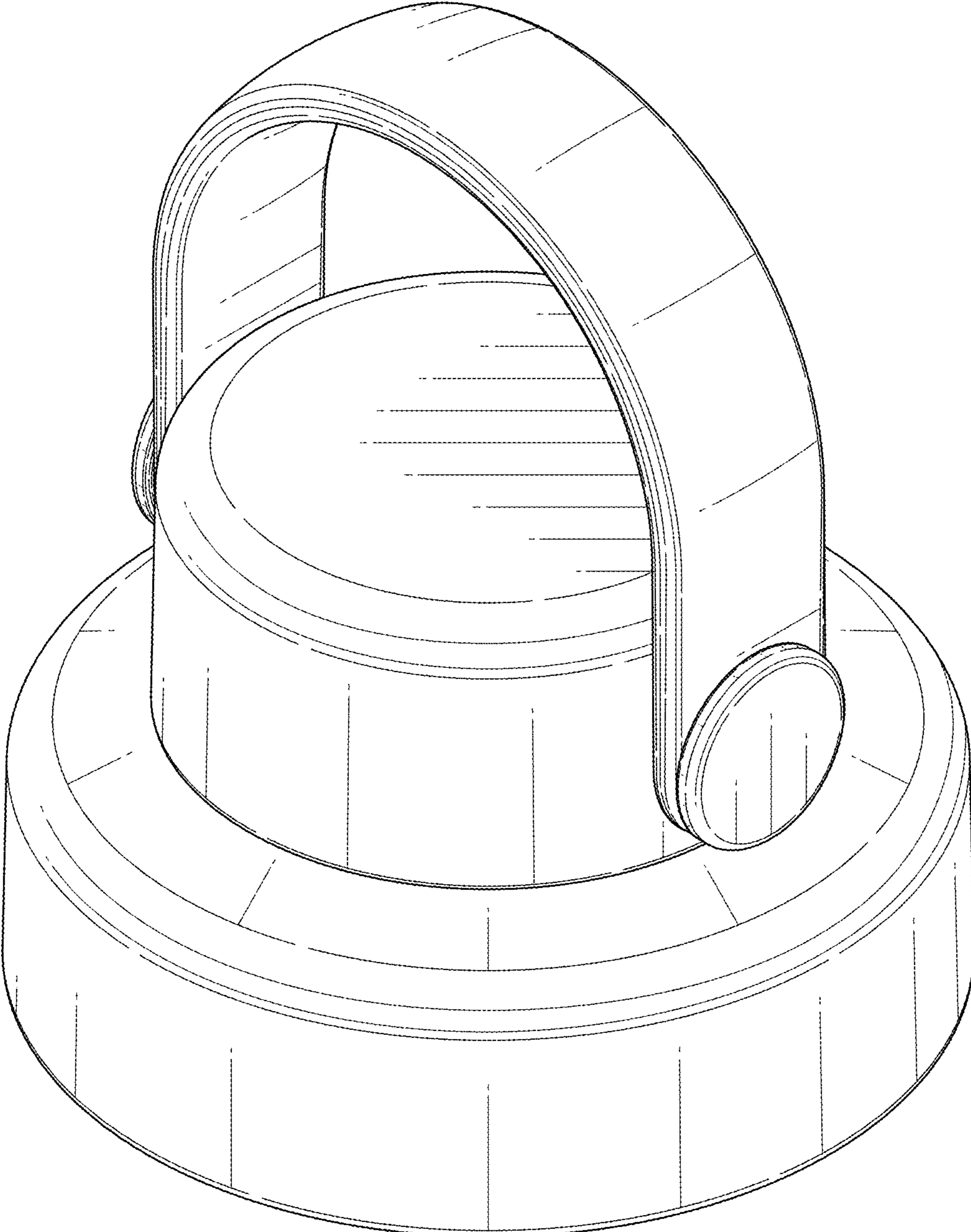


FIG. 1

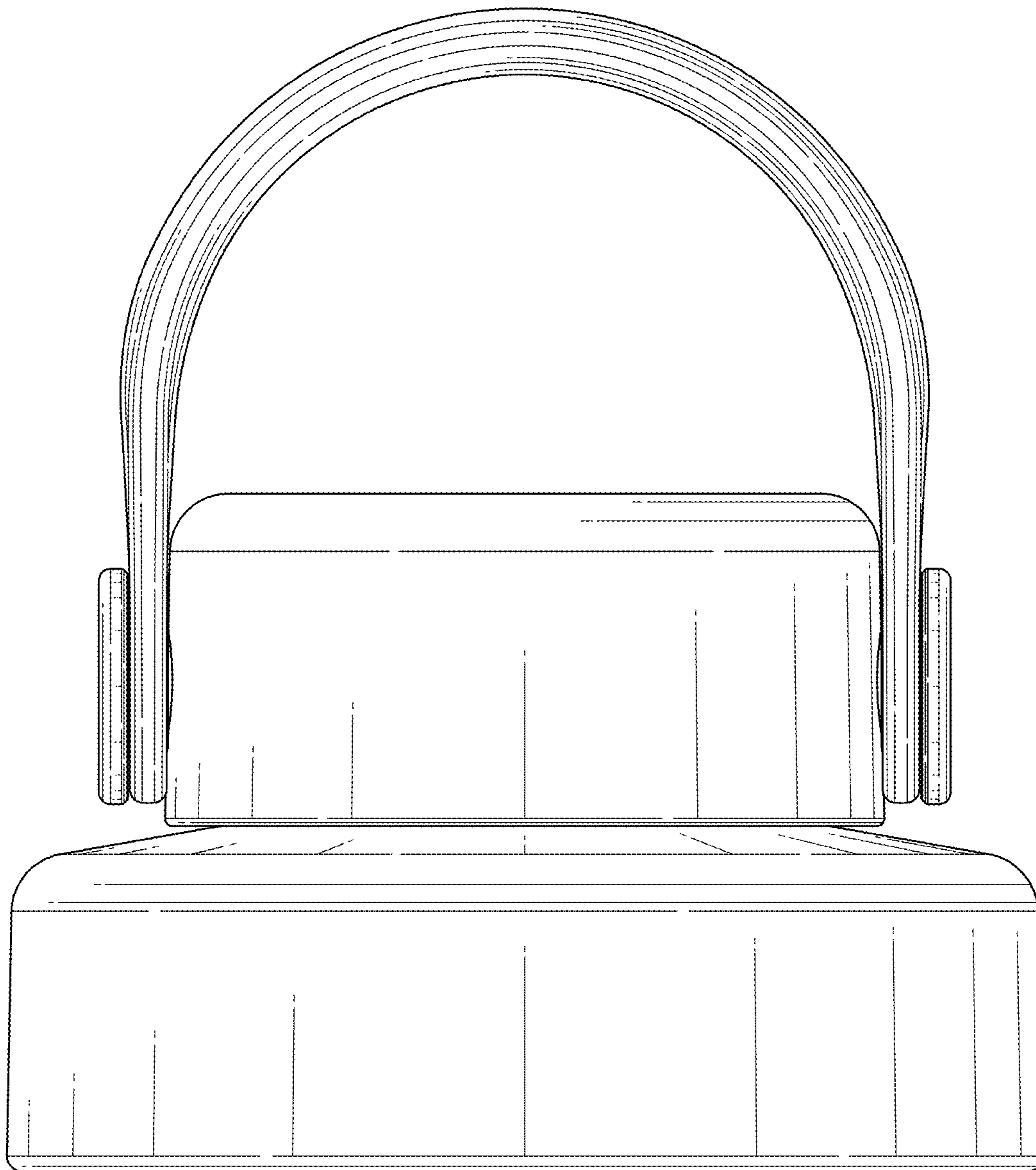


FIG. 2

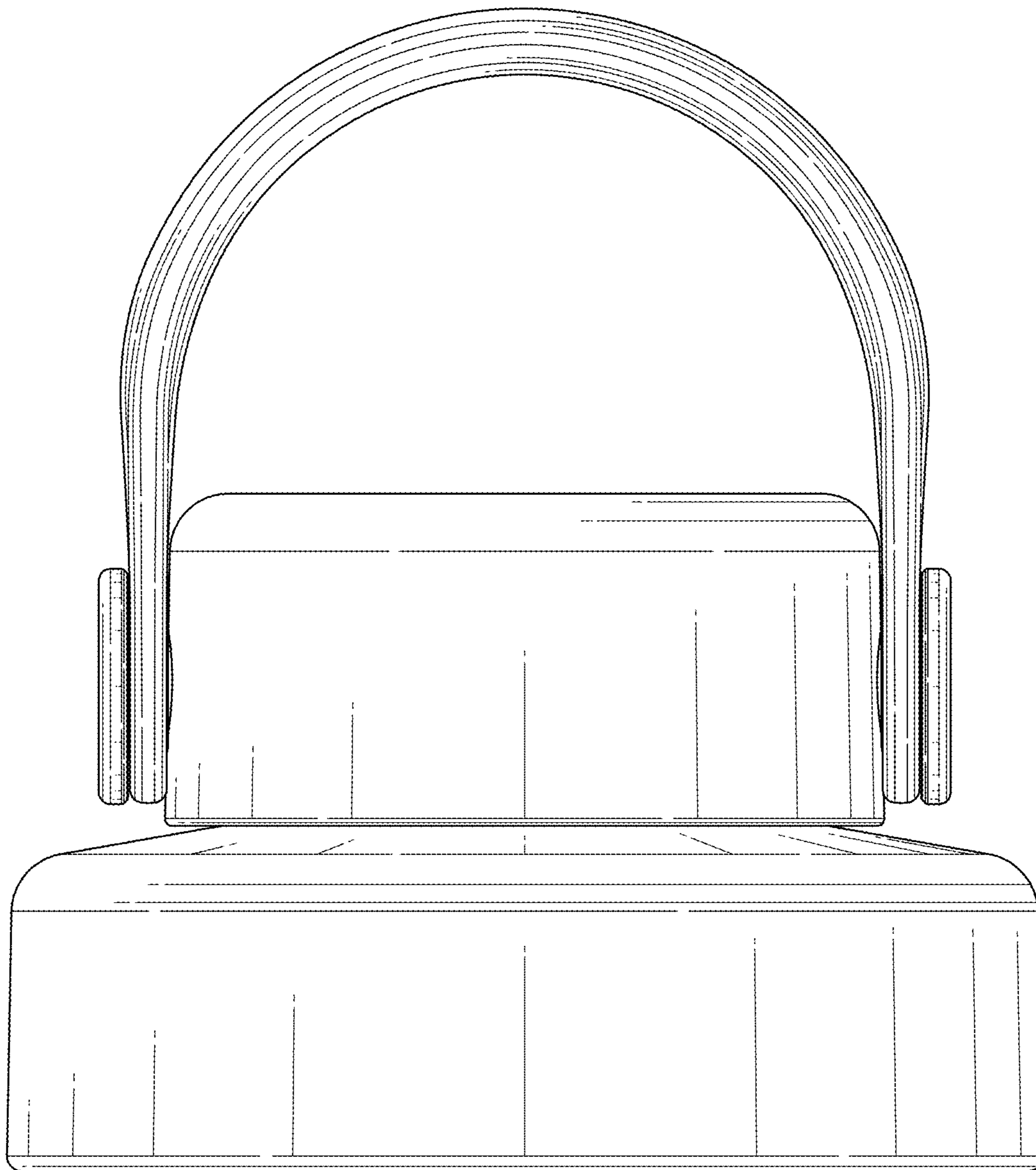


FIG. 3

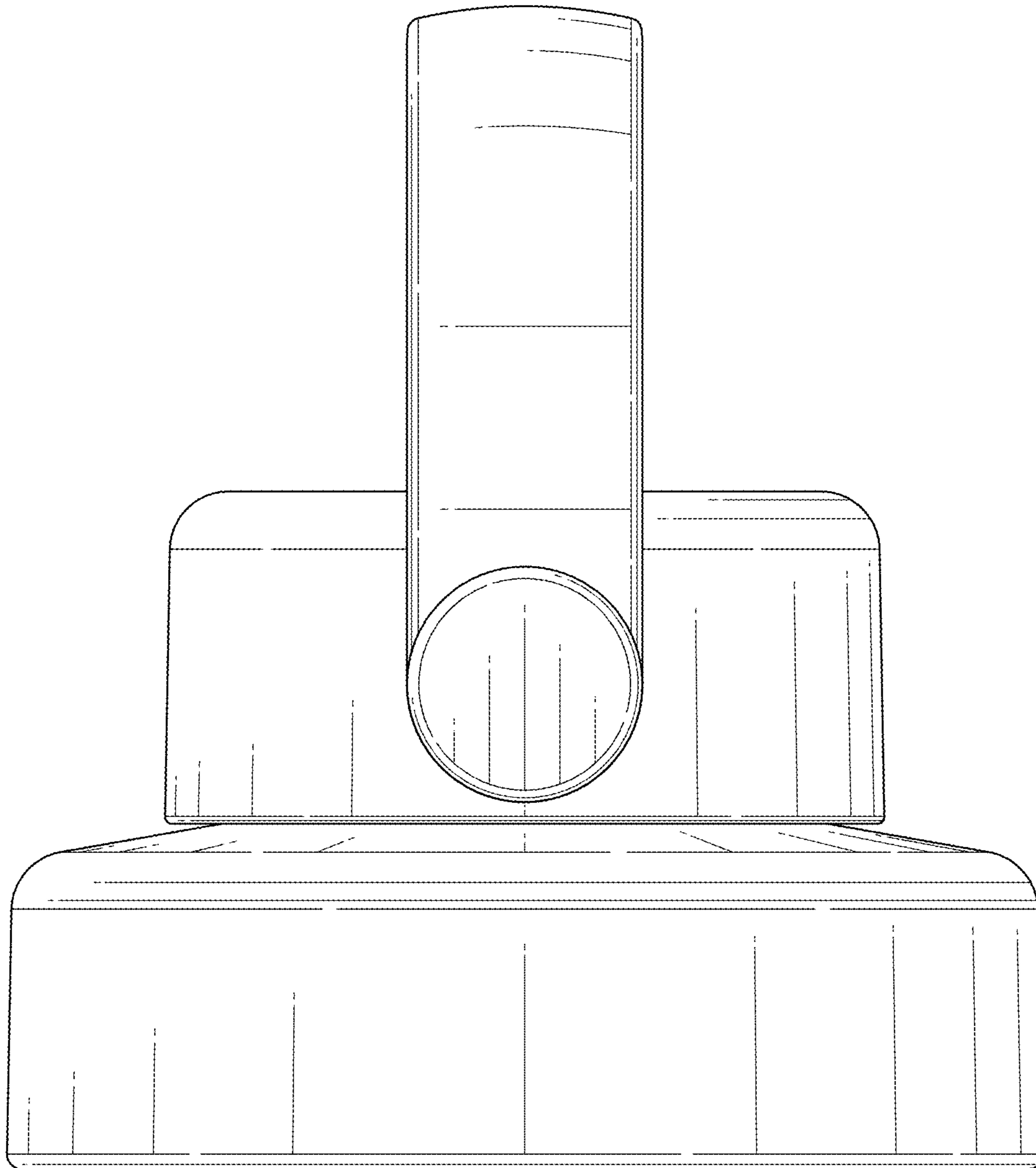


FIG. 4

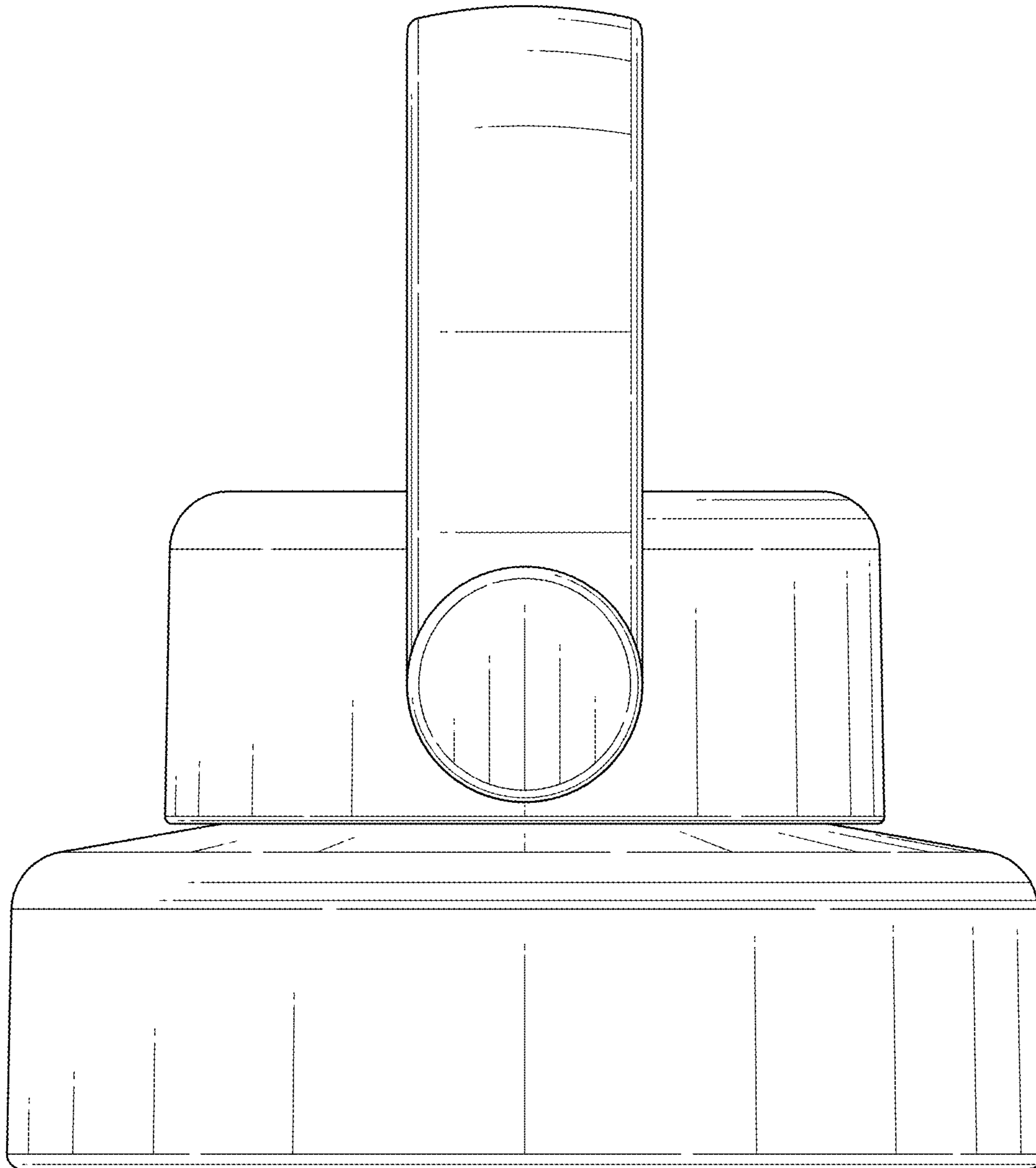


FIG. 5

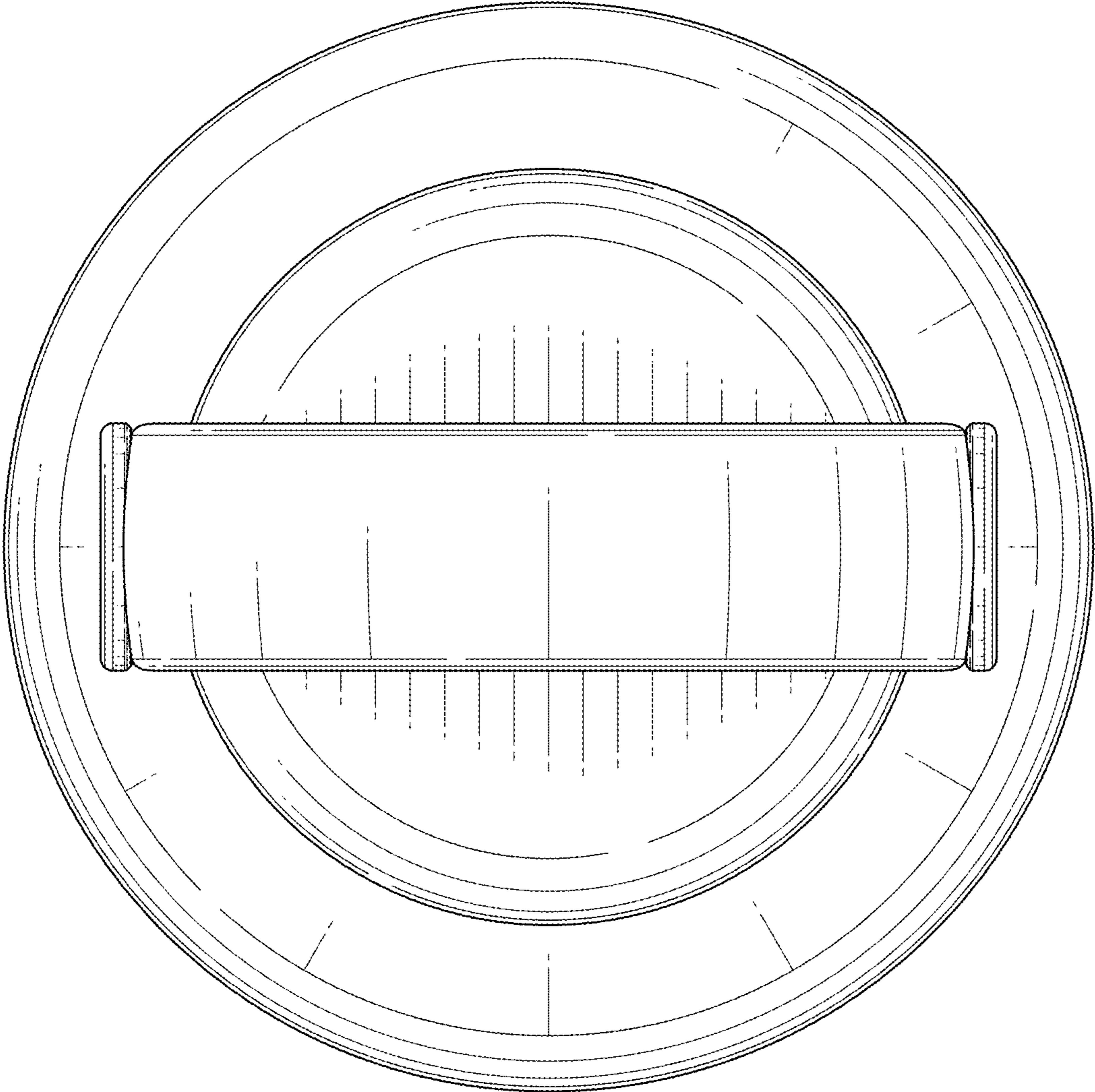


FIG. 6

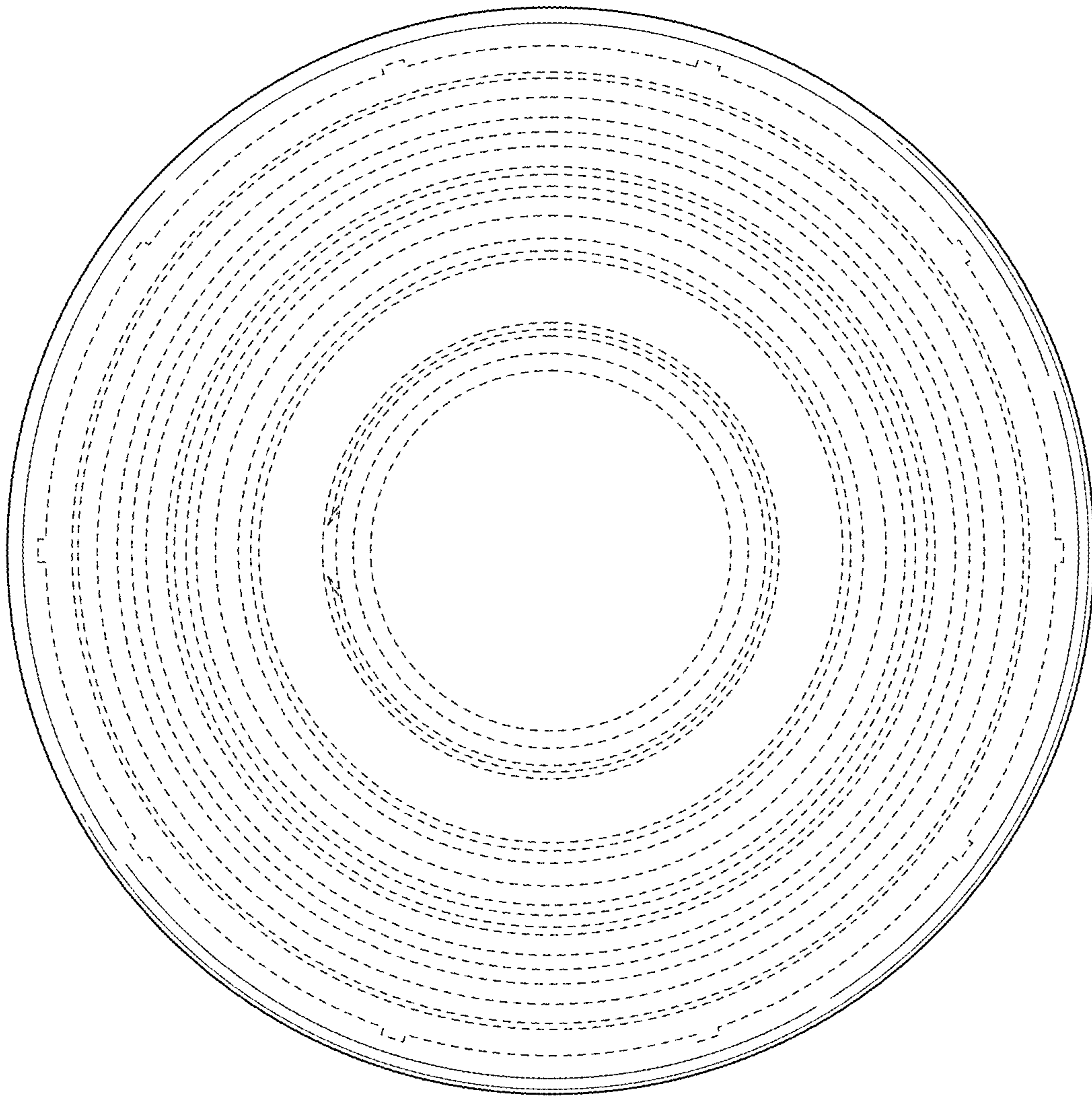


FIG. 7

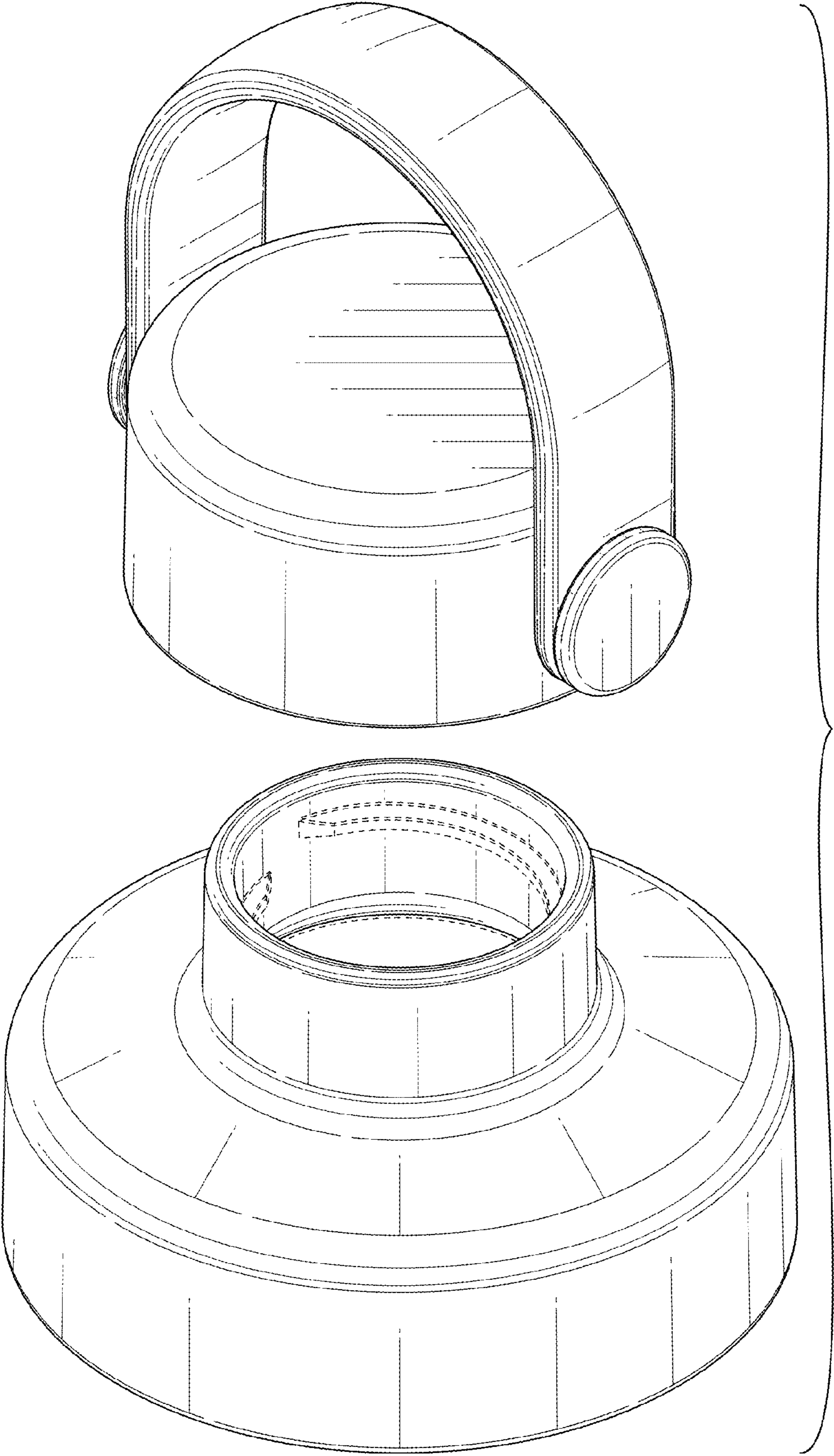


FIG. 8

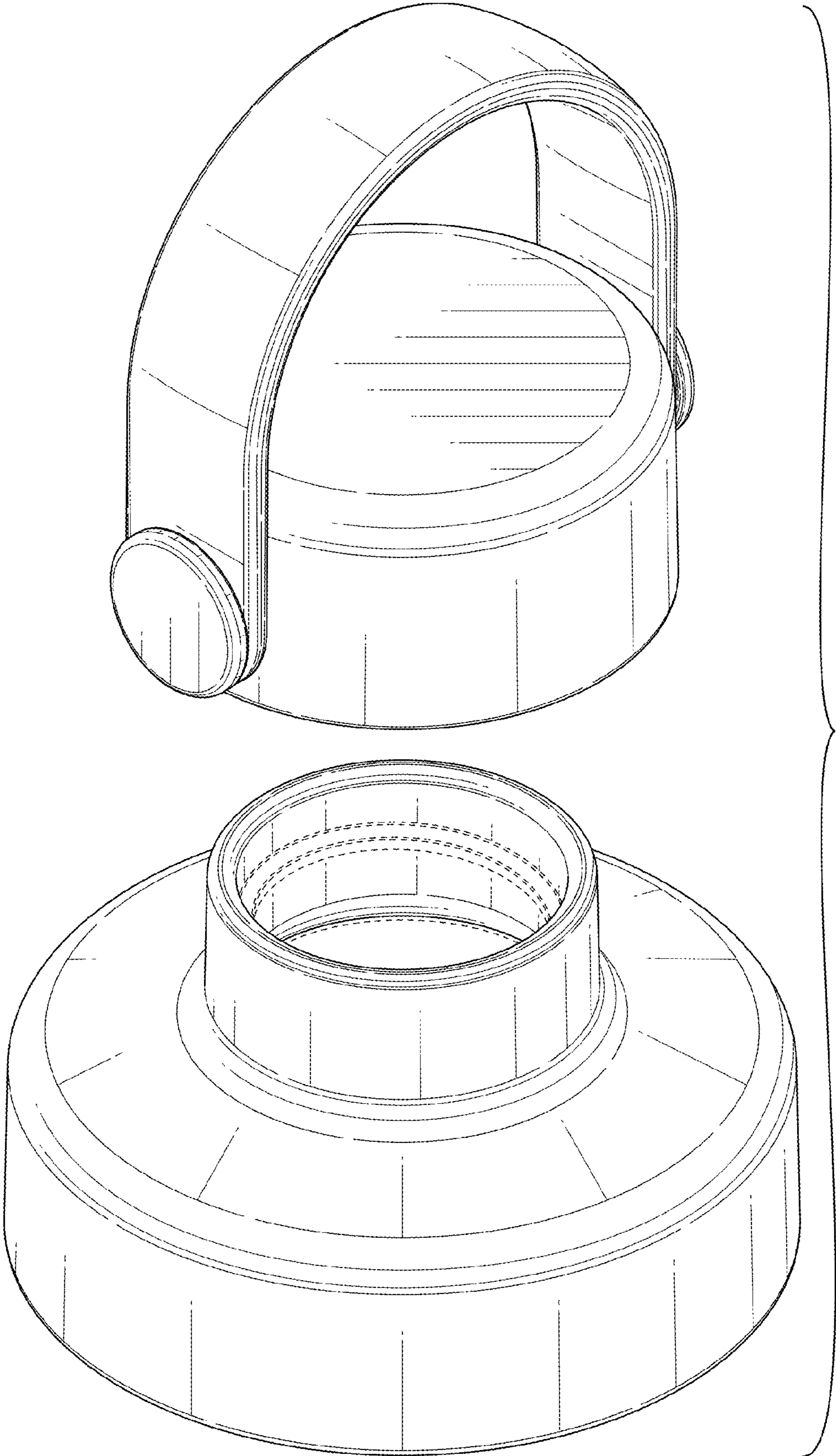


FIG. 9