



US00D986669S

(12) **United States Design Patent** (10) **Patent No.:** **US D986,669 S**  
**Dubeau** (45) **Date of Patent:** **\*\* May 23, 2023**

- (54) **FOOD PREPARATION DEVICE**  
 (71) Applicant: **SharkNinja Operating LLC**,  
 Needham, MA (US)  
 (72) Inventor: **Michaela Dubeau**, Uxbridge, MA (US)  
 (73) Assignee: **SharkNinja Operating LLC**,  
 Needham, MA (US)  
 (\*\*) Term: **15 Years**  
 (21) Appl. No.: **29/819,453**  
 (22) Filed: **Dec. 15, 2021**

**Related U.S. Application Data**

- (63) Continuation of application No. 29/766,303, filed on Jan. 14, 2021, now Pat. No. Des. 938,774, which is a continuation of application No. 29/743,241, filed on Jul. 20, 2020, now Pat. No. Des. 938,218.  
 (51) **LOC (14) Cl.** ..... **07-02**  
 (52) **U.S. Cl.**  
 USPC ..... **D7/354**  
 (58) **Field of Classification Search**  
 USPC ..... D7/323, 354–361  
 CPC ..... A23L 1/01; A23L 1/0107; A23L 1/0114;  
 A47J 27/00; A47J 27/08; A47J 27/09;  
 A47J 27/092; A47J 36/025; A47J 36/06;  
 A47J 36/08; A47J 36/10; A47J 36/12;  
 A47J 36/18; A47J 36/20; A47J 36/22;  
 A47J 36/165; A47J 37/00; A47J 37/0641;  
 A47J 37/12; A47J 37/129; A47J 37/1204;  
 A47J 37/1209; A47J 37/1214; A47J  
 37/1219; A47J 37/1266; A47J 37/1285;  
 A47J 37/1295; G07F 17/0064; G07F  
 17/0078; G07F 17/0085; H05B 6/02;  
 H05B 6/06; H05B 6/12

See application file for complete search history.

- (56) **References Cited**  
 U.S. PATENT DOCUMENTS  
 D719,397 S 12/2014 Krooshof  
 D836,381 S 12/2018 Moon et al.  
 D836,383 S \* 12/2018 Dutruel ..... D7/354  
 D848,199 S 5/2019 Kowalewski et al.  
 D871,827 S 1/2020 Moon et al.  
 (Continued)

**OTHER PUBLICATIONS**

Crownful 8 Quart 8 in 1 Dual Basket Air Fryer. Date First Available on Amazon.com Aug. 2, 2021. <https://www.amazon.com/dp/B09KNBHWSJ/ref> (Year: 2021).\*  
 (Continued)

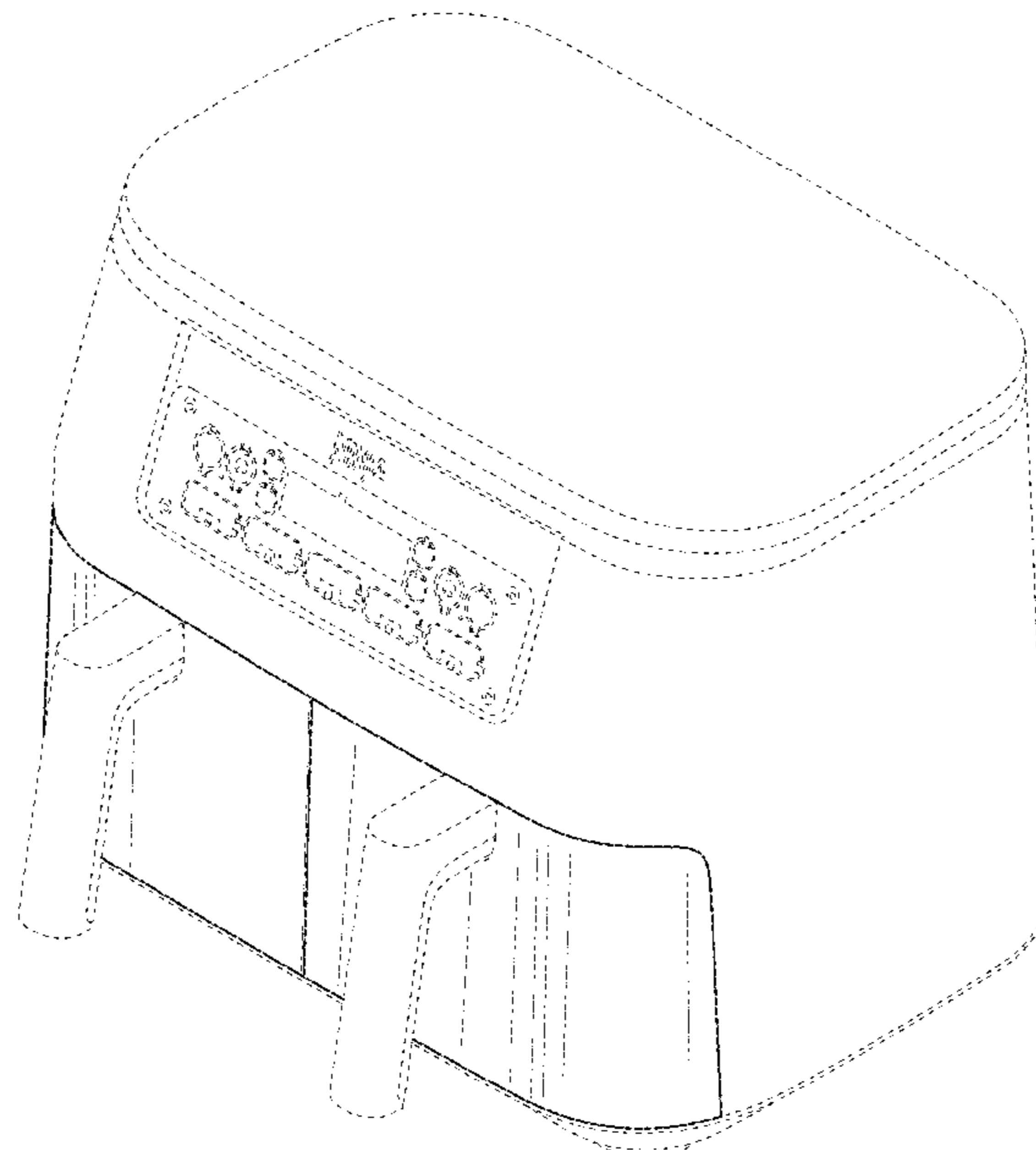
*Primary Examiner* — Ricky Pham  
 (74) *Attorney, Agent, or Firm* — Mintz Levin Cohn Ferris Glovsky and Popeo, PC

- (57) **CLAIM**  
 The ornamental design for a food preparation device, as shown and described.

**DESCRIPTION**

FIG. 1 is a perspective view of a food preparation device showing my new design in a first embodiment;  
 FIG. 2 is a front view of the embodiment shown in FIG. 1;  
 FIG. 3 is a rear view of the embodiment shown in FIG. 1;  
 FIG. 4 is a side view of the embodiment shown in FIG. 1;  
 FIG. 5 is another side view of the embodiment shown in FIG. 1;  
 FIG. 6 is a top view of the embodiment shown in FIG. 1;  
 and,  
 FIG. 7 is a bottom view of the embodiment shown in FIG. 1.  
 The broken lines in the drawings are for environmental purposes only and form no part of the claimed design.

**1 Claim, 7 Drawing Sheets**



(56)

**References Cited**

U.S. PATENT DOCUMENTS

D874,867 S 2/2020 Varjabedian et al.  
D875,463 S 2/2020 Chen  
D878,850 S 3/2020 Hu  
D880,220 S 4/2020 Chen  
D882,329 S 4/2020 Varjabedian et al.  
D883,729 S 5/2020 Yang et al.  
D891,849 S \* 8/2020 Yang ..... D7/354  
D901,229 S 11/2020 Ou et al.  
D923,386 S 6/2021 Lin  
11,045,046 B1 \* 6/2021 Man ..... A47J 37/0641  
D933,415 S \* 10/2021 Yang ..... D7/354  
D938,218 S \* 12/2021 Dubeau ..... D7/354  
D938,774 S \* 12/2021 Dubeau ..... D7/354  
11,297,977 B1 \* 4/2022 Man ..... A47J 37/0641  
D970,959 S \* 11/2022 Biegeleisen ..... D7/354  
2015/0122137 A1 5/2015 Chang

OTHER PUBLICATIONS

U.S. Appl. No. 29/743,241, filed Jul. 20, 2020, Food Preparation Device.

U.S. Appl. No. 29/766,303, filed Jan. 14, 2021, Food Preparation Device.

Aigostar Air Fryer(2020). Date First Available on Amazon.com May 27, 2020. [https://www.amazon.com/dp/B0896VBKLM/ref, 1](https://www.amazon.com/dp/B0896VBKLM/ref,1) page.

\* cited by examiner

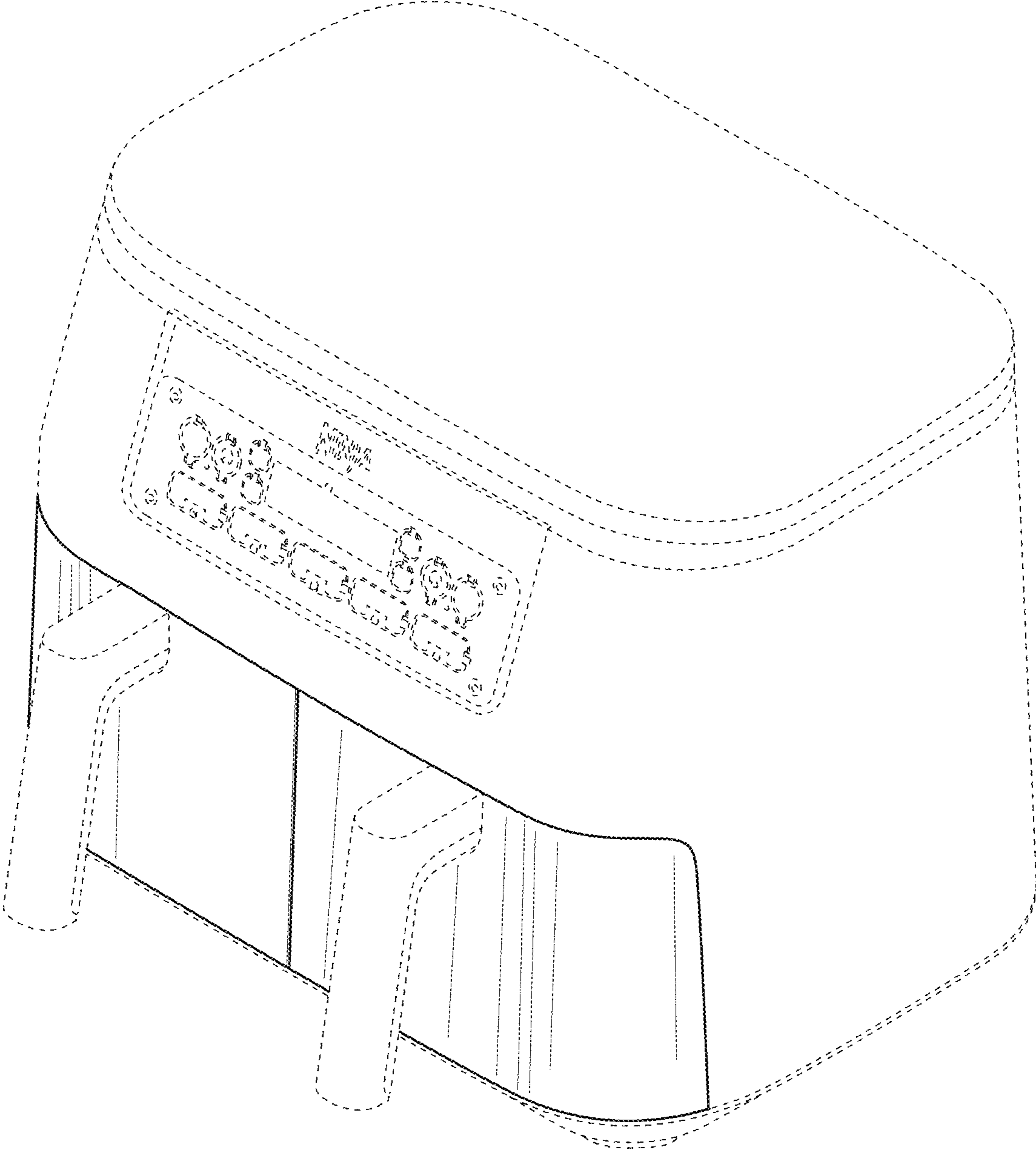


FIG. 1

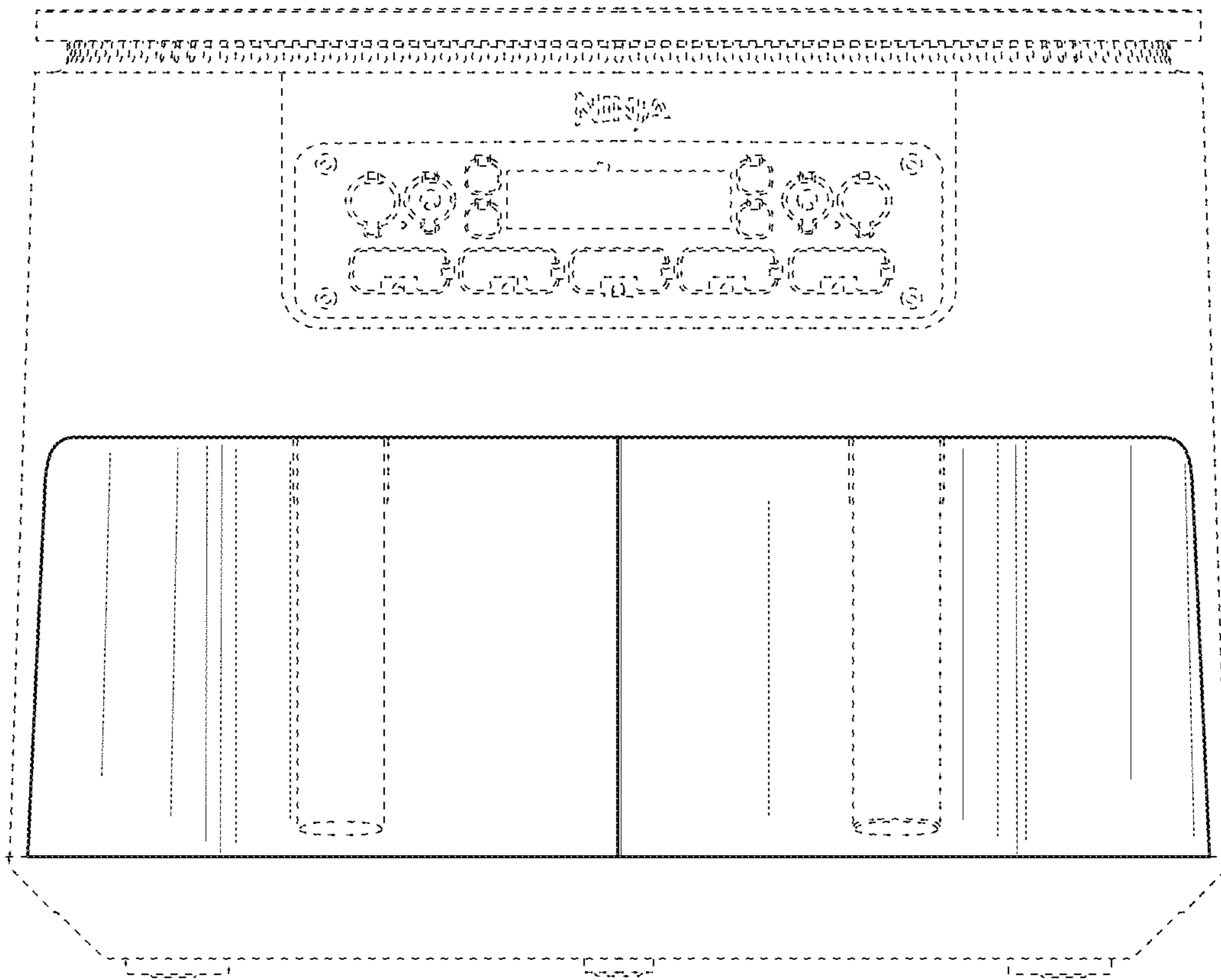


FIG. 2

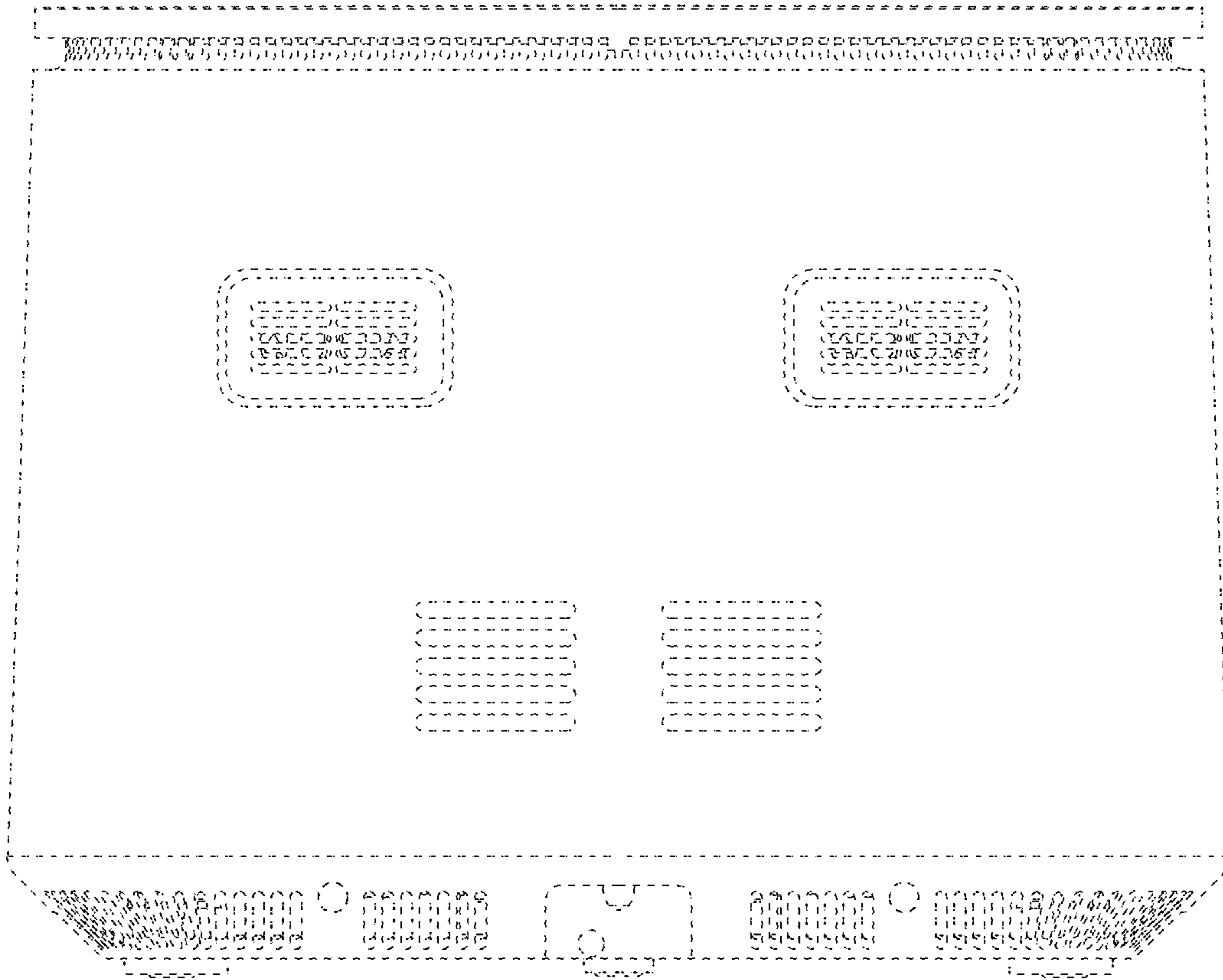


FIG. 3

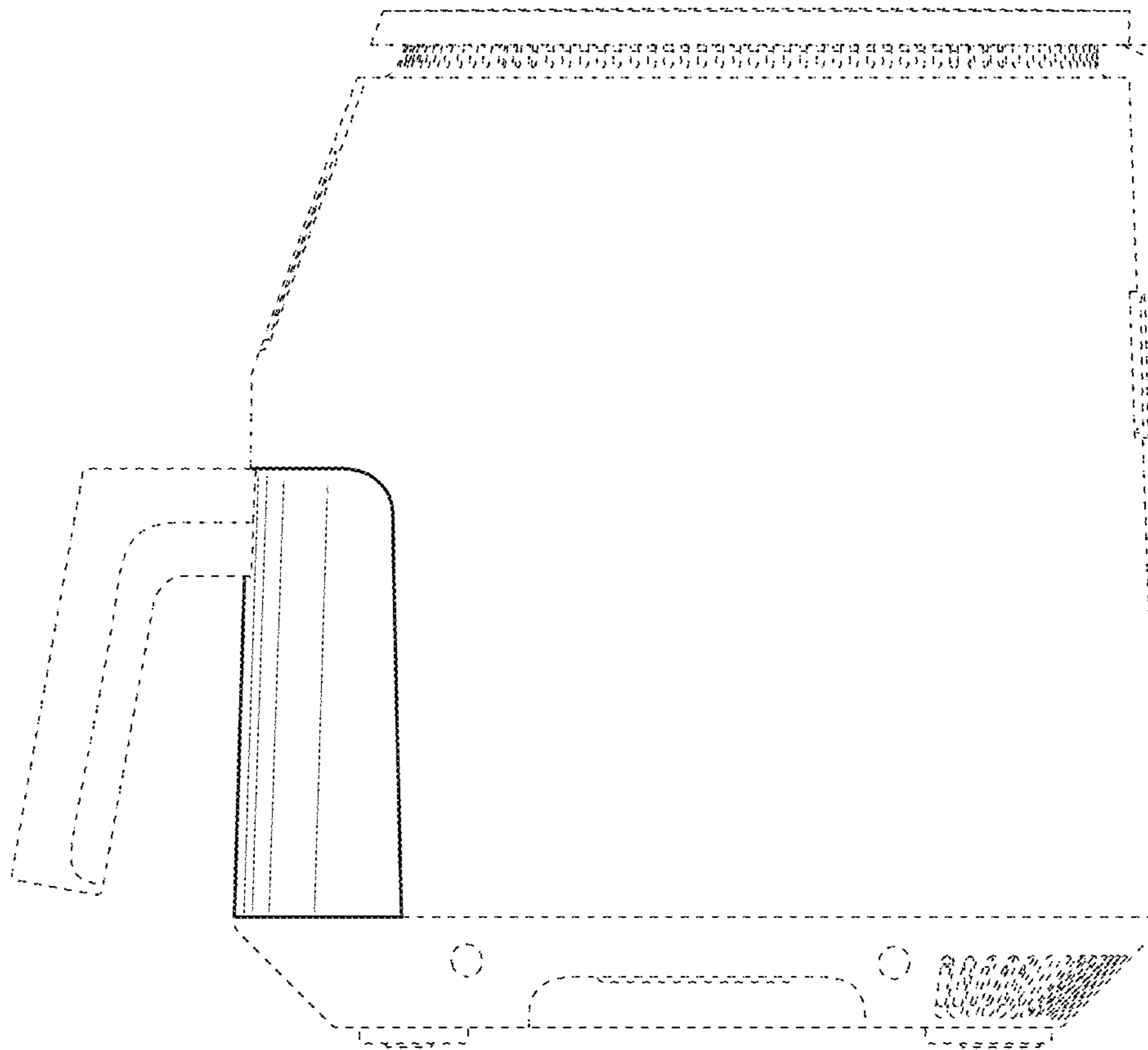


FIG. 4

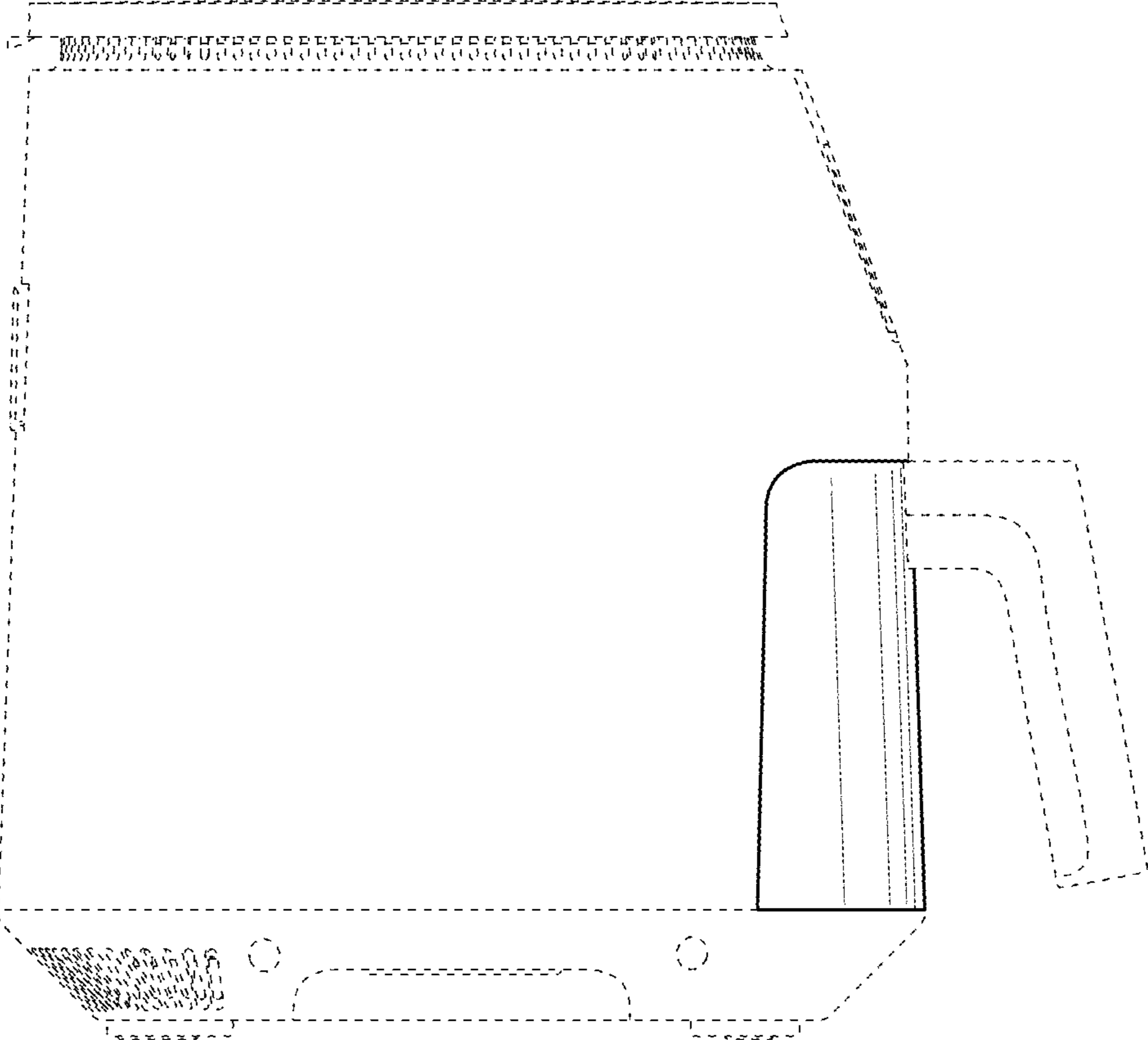


FIG. 5

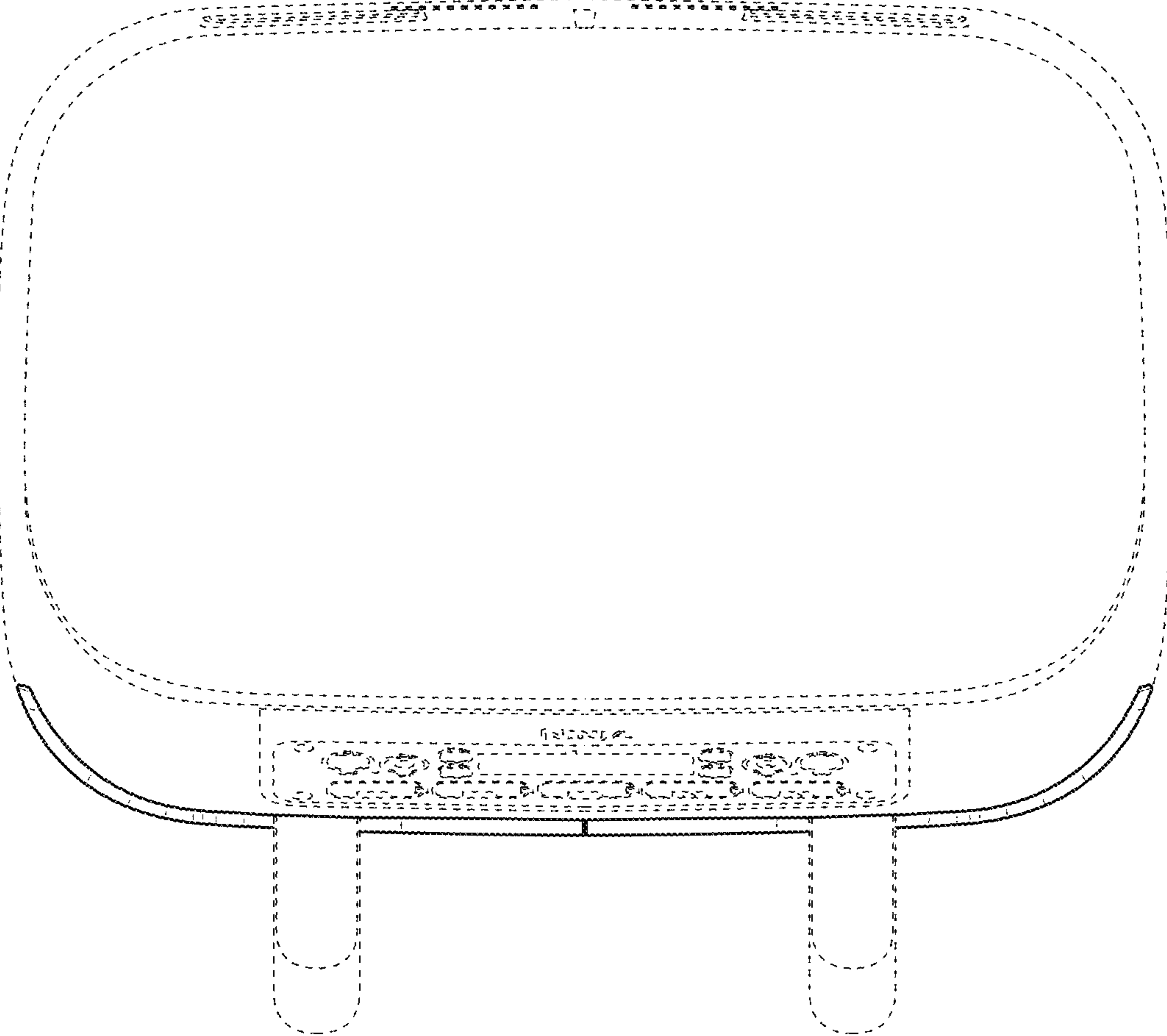


FIG. 6



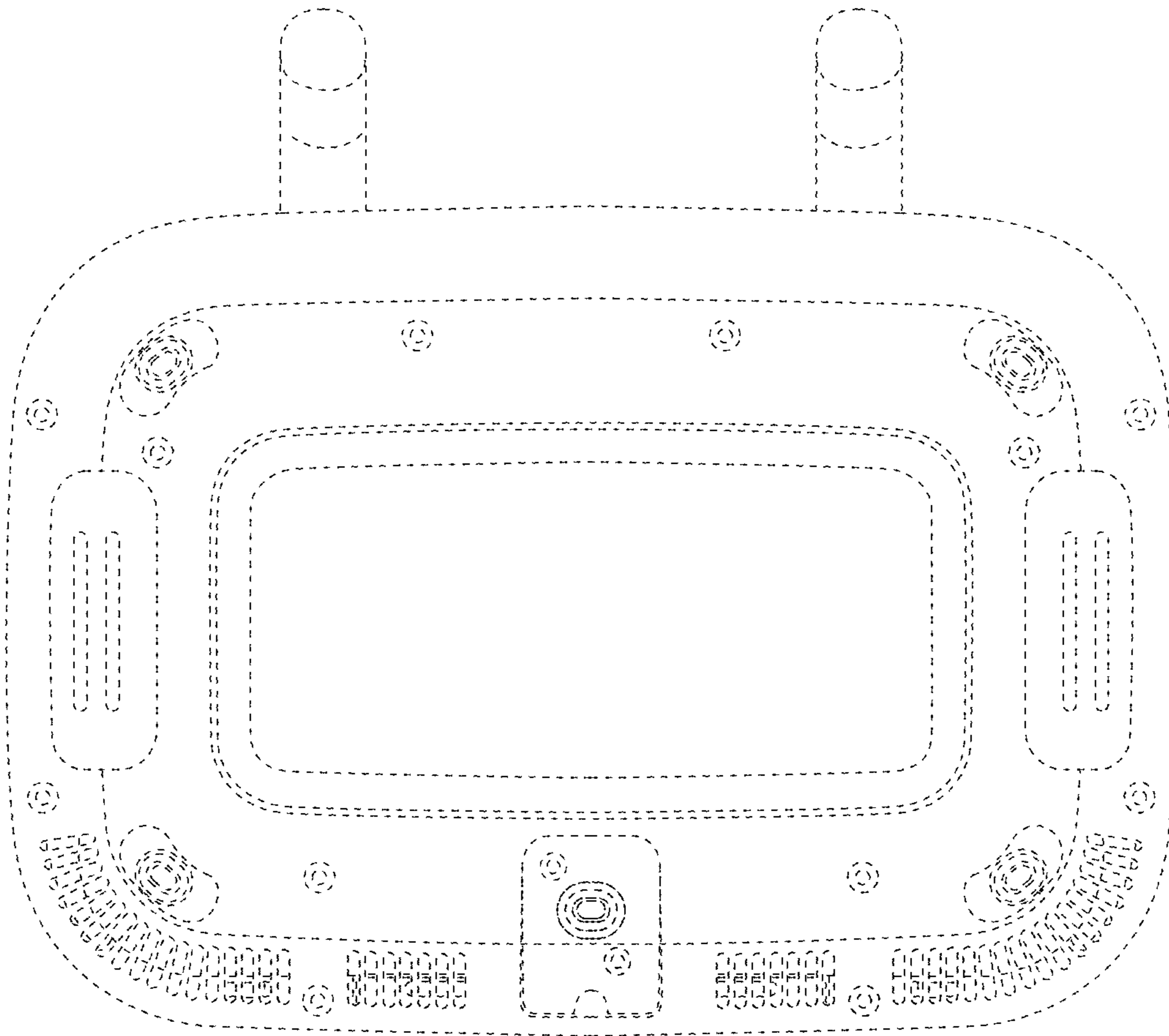


FIG. 7