



US00D986668S

(12) **United States Design Patent** (10) **Patent No.:** **US D986,668 S**
Liu (45) **Date of Patent:** **** May 23, 2023**

(54) **AIR FRYER**

(71) Applicant: **Shenzhen Chenbei Technology Co., Ltd.**, Shenzhen (CN)

(72) Inventor: **Lei Liu**, Shenzhen (CN)

(**) Term: **15 Years**

(21) Appl. No.: **29/802,044**

(22) Filed: **Aug. 2, 2021**

(30) **Foreign Application Priority Data**

Feb. 3, 2021 (CN) 202130078097.9

(51) **LOC (14) Cl.** **07-02**

(52) **U.S. Cl.**
USPC **D7/354**

(58) **Field of Classification Search**
USPC D7/323, 354-361
CPC A23L 1/01; A23L 1/0107; A23L 1/0114;
A47J 27/00; A47J 27/08; A47J 27/09;
A47J 27/092; A47J 36/025; A47J 36/06;
A47J 36/08; A47J 36/10; A47J 36/12;
A47J 36/18; A47J 36/20; A47J 36/22;
A47J 36/165; A47J 37/00; A47J 37/0641;
A47J 37/12; A47J 37/129; A47J 37/1204;
A47J 37/1209; A47J 37/1214; A47J
37/1219; A47J 37/1266; A47J 37/1285;
A47J 37/1295; G07F 17/0064; G07F
17/0078; G07F 17/0085; H05B 6/02;
H05B 6/06; H05B 6/12
See application file for complete search history.

(56) **References Cited**

U.S. PATENT DOCUMENTS

D839,040 S * 1/2019 Seymour D7/354
D841,388 S * 2/2019 Zhang D7/354

D875,460 S * 2/2020 Chen D7/354
D883,729 S * 5/2020 Yang D7/354
D891,849 S * 8/2020 Yang D7/354
D923,386 S * 6/2021 Lin D7/354
D933,415 S * 10/2021 Yang D7/354
D934,021 S * 10/2021 Luo D7/354
D938,218 S * 12/2021 Dubeau D7/354
D970,958 S * 11/2022 Biegeleisen D7/354
D970,959 S * 11/2022 Biegeleisen D7/354

OTHER PUBLICATIONS

Cosori Air Fryer Dual Blaze. Date First Available on Amazon.com Aug. 2, 2021. <https://www.amazon.com/dp/B09BJHB2BD/ref> (Year: 2021).*
Air Fryers Oven, Ganiza. Date First Available on Amazon.com Jul. 31, 2022. <https://www.amazon.com/dp/B0B18MBRHD/ref> (Year: 2022).*

* cited by examiner

Primary Examiner — Ricky Pham
(74) *Attorney, Agent, or Firm* — Tsz Lung Yeung

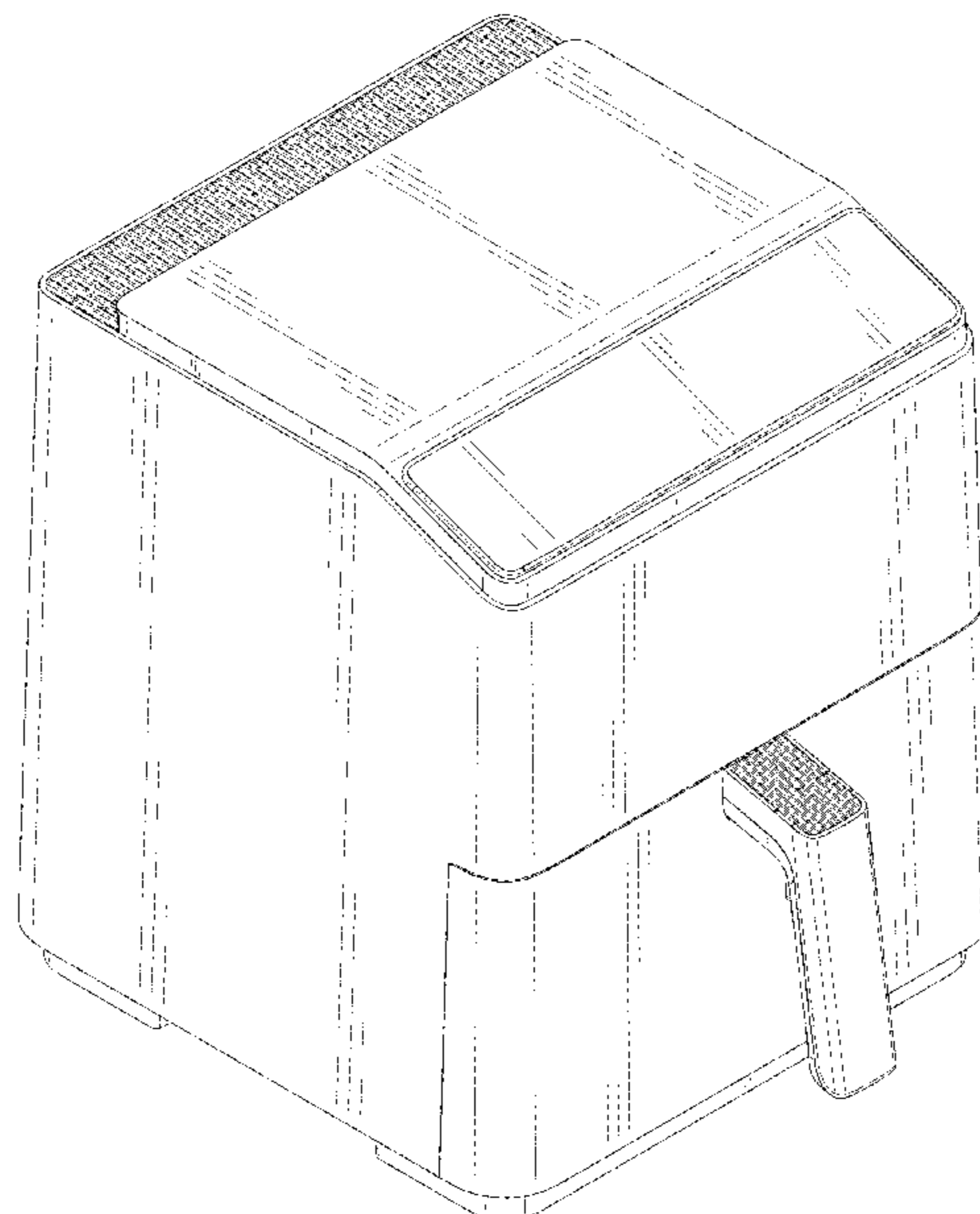
(57) **CLAIM**

The ornamental design for an air fryer, as shown and described.

DESCRIPTION

FIG. 1 is a perspective view of a air fryer showing my new design;
FIG. 2 is a front view thereof;
FIG. 3 is a rear view thereof;
FIG. 4 is a right side view thereof;
FIG. 5 is a left side view thereof;
FIG. 6 is a top view thereof; and,
FIG. 7 is a bottom view thereof.
The broken lines depict portions of the air fryer that form no part of the claimed design.

1 Claim, 7 Drawing Sheets



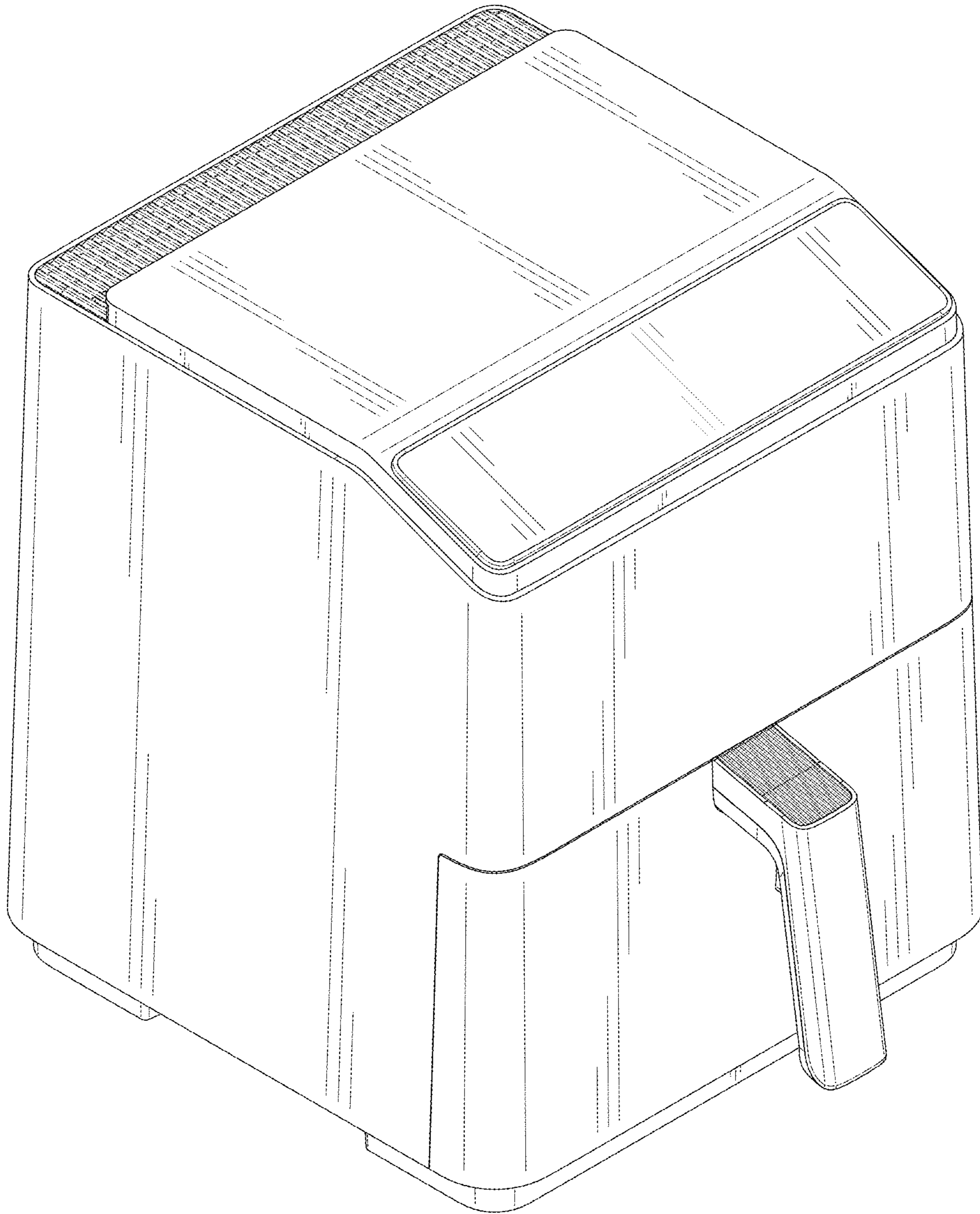


FIG. 1

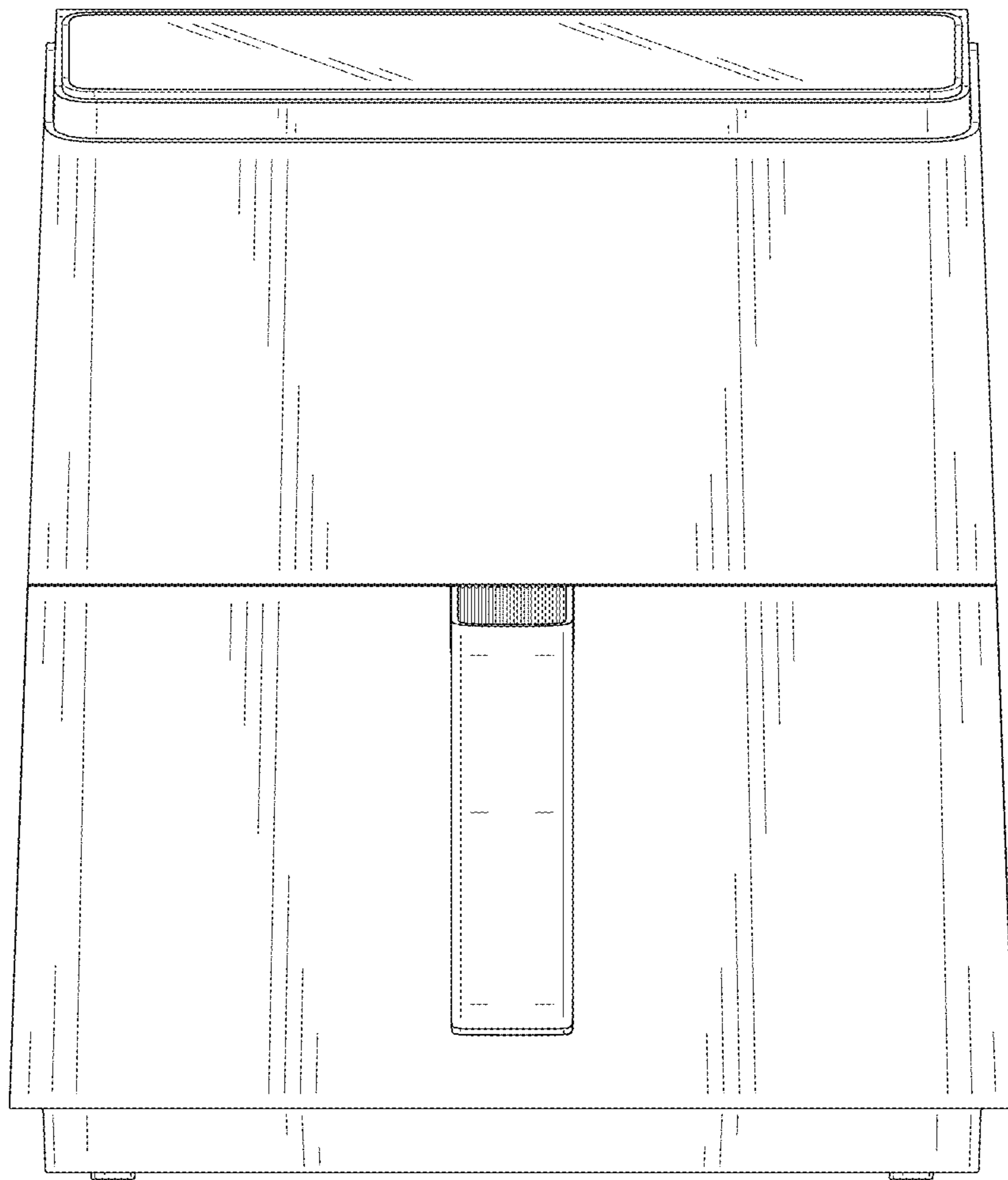


FIG. 2

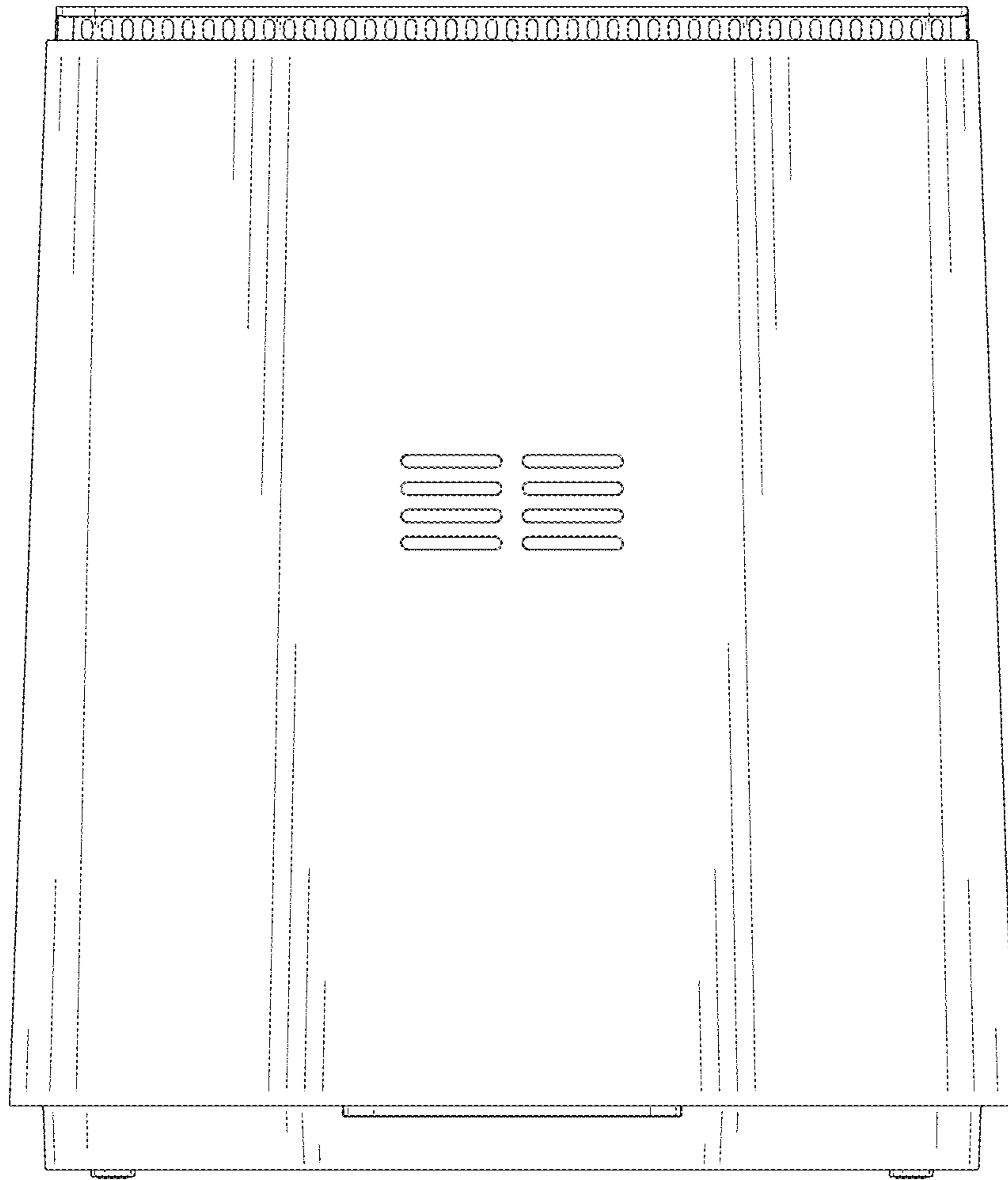


FIG. 3

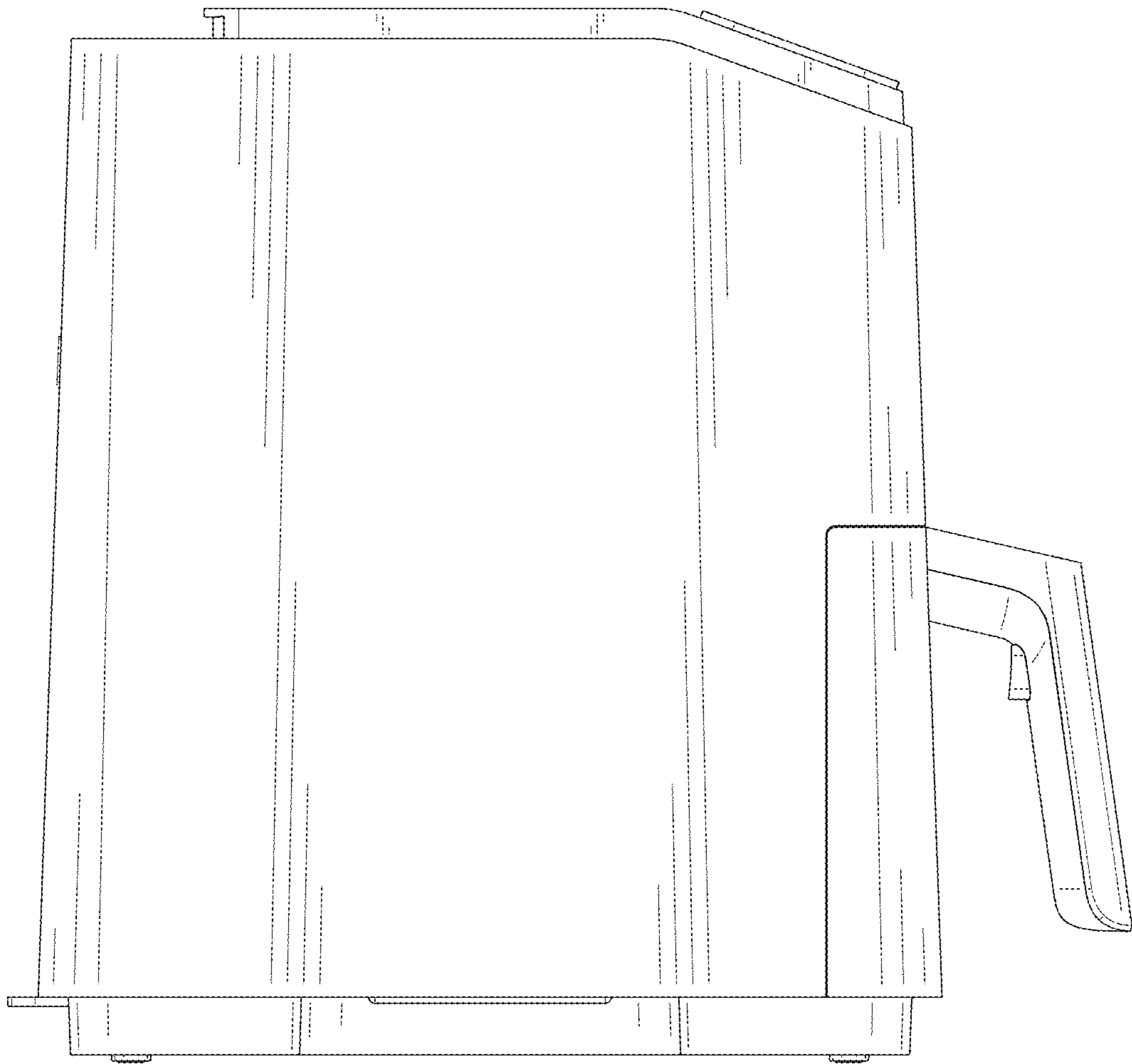


FIG. 4

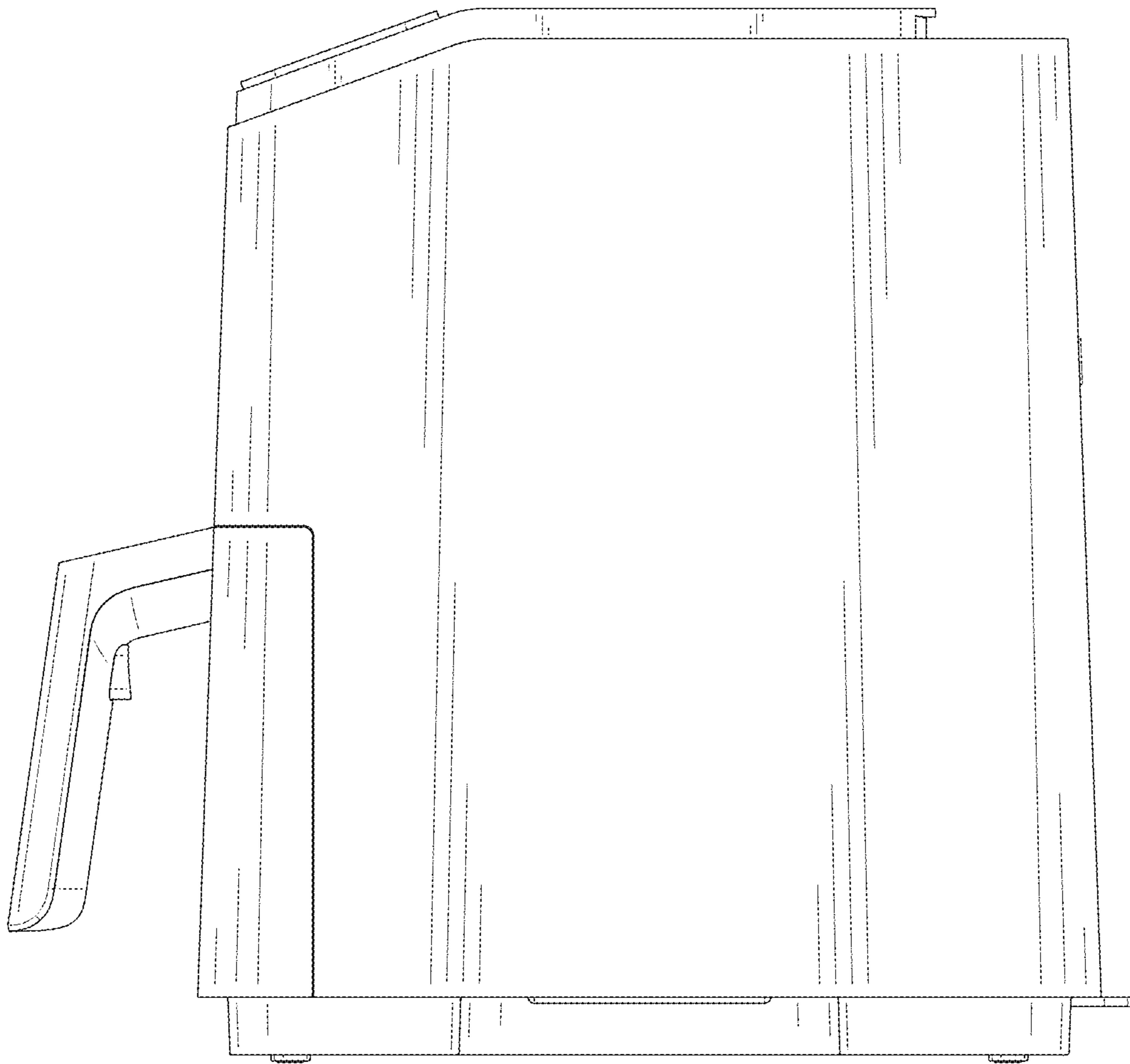


FIG. 5

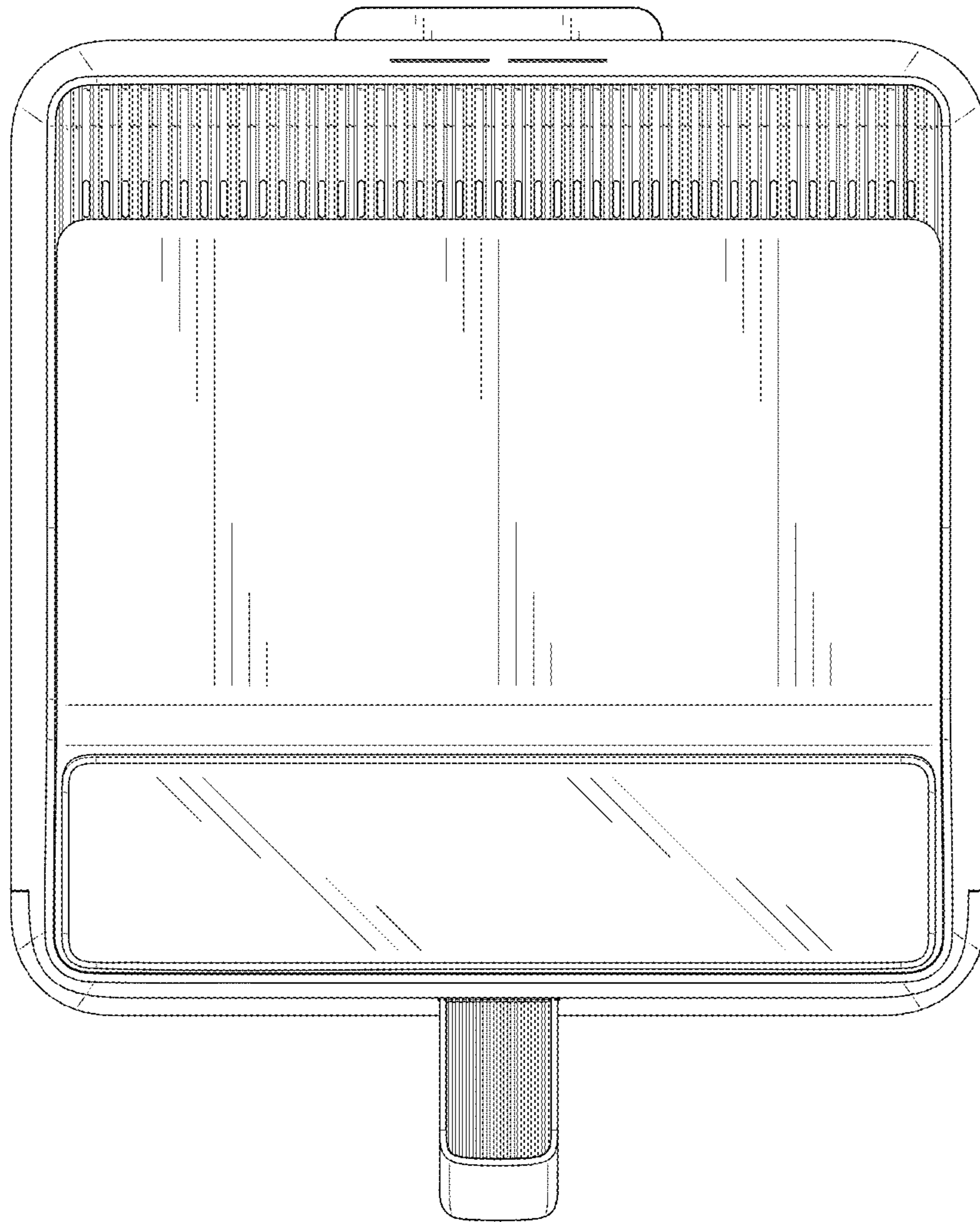


FIG. 6

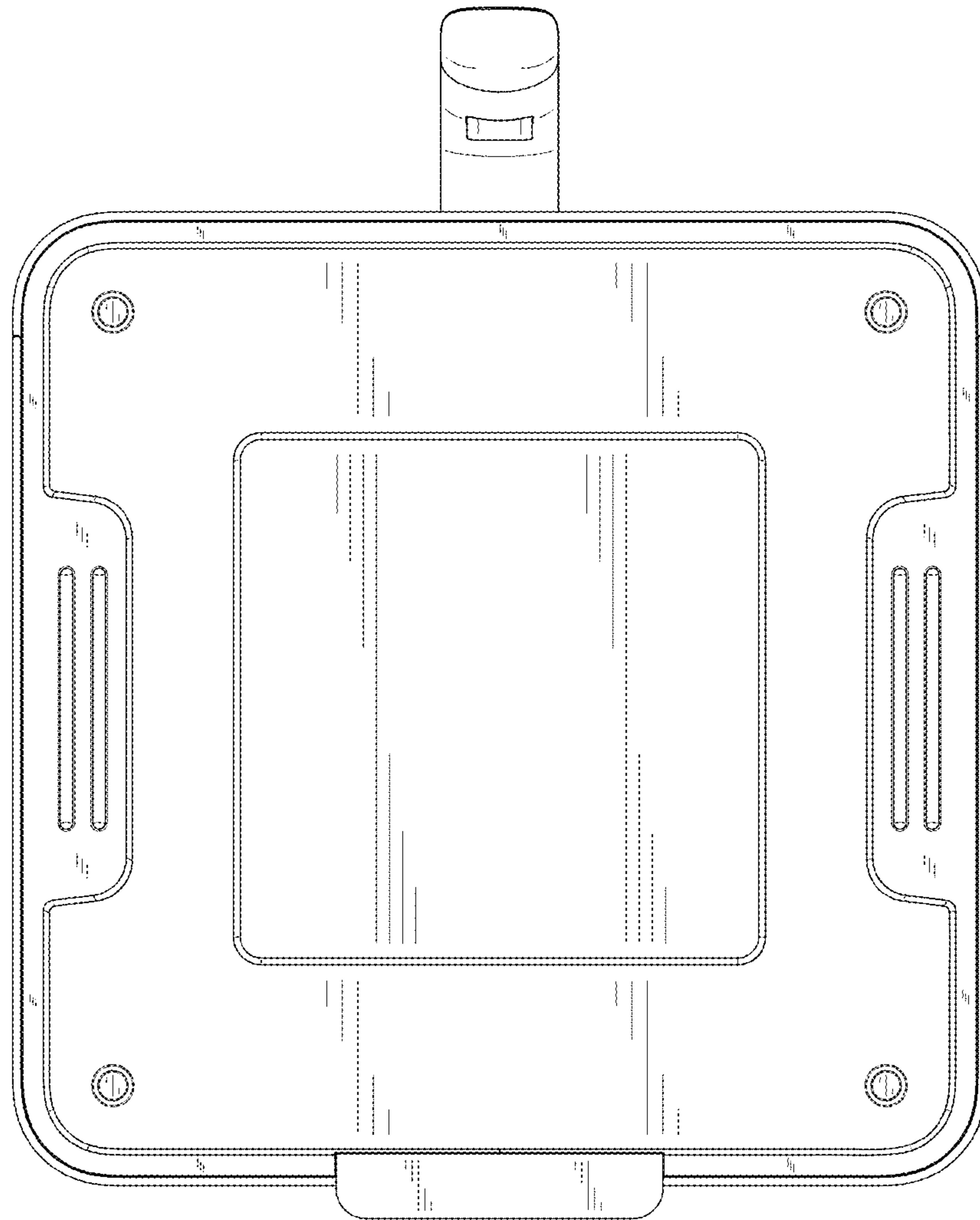


FIG. 7