



US00D986666S

(12) **United States Design Patent** (10) **Patent No.:** **US D986,666 S**
Gozney (45) **Date of Patent:** **** May 23, 2023**

(54) **OVEN** D642,855 S * 8/2011 de Paula D7/333
D849,908 S * 5/2019 Wu D23/343
(71) Applicant: **Gozney Group Limited**, Christchurch D862,970 S * 10/2019 Moretti D7/339
(GB) D880,217 S * 4/2020 Tseng D7/348
D887,767 S * 6/2020 Huang D7/323
(72) Inventor: **Thomas Robert Llewelyn Gozney**, D897,142 S * 9/2020 Huang D7/323
Christchurch (GB) D925,962 S * 7/2021 Tapaninaho A23L 5/15
D7/332
(73) Assignee: **Gozney Group Limited**, Christchurch D939,883 S * 1/2022 Bonfiglioli D7/348
(GB) D947,591 S * 4/2022 Gozney D7/332
D950,311 S * 5/2022 Gozney D7/332
(**) Term: **15 Years** (Continued)

(21) Appl. No.: **29/747,062**

(22) Filed: **Aug. 19, 2020**

(30) **Foreign Application Priority Data**

Feb. 20, 2020 (GB) 6083857
Feb. 20, 2020 (GB) 6083858
Feb. 20, 2020 (GB) 6083859
Feb. 20, 2020 (GB) 6083860
Feb. 20, 2020 (GB) 6083861

(51) **LOC (14) Cl.** **07-02**

(52) **U.S. Cl.**
USPC **D7/337**

(58) **Field of Classification Search**
USPC D7/323, 328, 332-337, 339, 340,
D7/347-351, 354, 387, 393, 396, 402,
D7/405-409
CPC A47J 37/00; A47J 37/06; A47J 37/0605;
A47J 37/0623; A47J 37/0629; A47J
37/0635; A47J 37/0641; A47J 37/0647;
A47J 37/0658; F24C 7/00; F24C 7/02;
F24C 7/04

See application file for complete search history.

(56) **References Cited**

U.S. PATENT DOCUMENTS

D367,203 S * 2/1996 Sprouls D7/348
D640,499 S * 6/2011 King D7/348

OTHER PUBLICATIONS

Meet The Gozney Dome, first available Oct. 7, 2020, YouTube, [online], [site visited Mar. 12, 2021], Available from internet URL: <https://www.youtube.com/watch?v=HzXKe8uwPKk> (Year: 2020).*

(Continued)

Primary Examiner — Mary Ann Calabrese
Assistant Examiner — Natalya M Rapundalo
(74) *Attorney, Agent, or Firm* — Gesmer Updegrove LLP

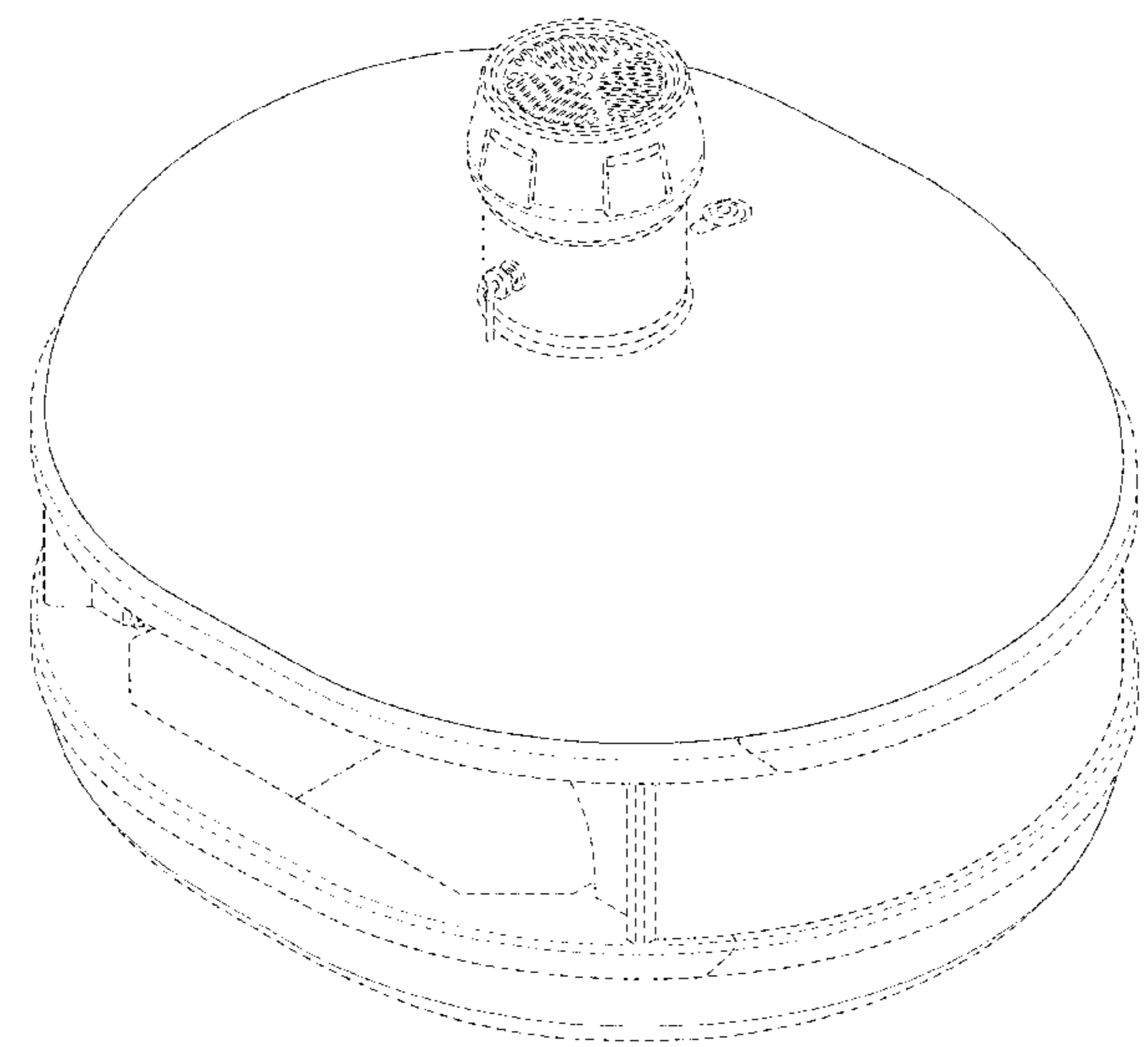
(57) **CLAIM**

The ornamental design for an oven, as shown and described.

DESCRIPTION

FIG. 1 is a perspective view of an oven showing a new design;
FIG. 2 is a front view thereof;
FIG. 3 is a back view thereof;
FIG. 4 is a left view thereof;
FIG. 5 is a right view thereof;
FIG. 6 is a top view thereof; and,
FIG. 7 is a bottom view thereof.
The broken lines shown in the drawings show portions of the oven that form no part of the claimed design.

1 Claim, 7 Drawing Sheets



(56)

References Cited

U.S. PATENT DOCUMENTS

2017/0295993 A1* 10/2017 Li A23L 5/15

OTHER PUBLICATIONS

Gozney Dome, Gozney, [online], [site visited Mar. 12, 2021], Available from internet URL: <https://us.gozney.com/products/dome> (Year: 2021).*

Kettle Pizza Outdoor Pizza Oven Kit, Crate & Barrel, [online], [site visited Feb. 10, 2022], Available from internet URL: <https://www.crateandbarrel.com/kettlepizza-deluxe-usa-outdoor-pizza-oven-kit/s118228> (Year: 2022).*

* cited by examiner

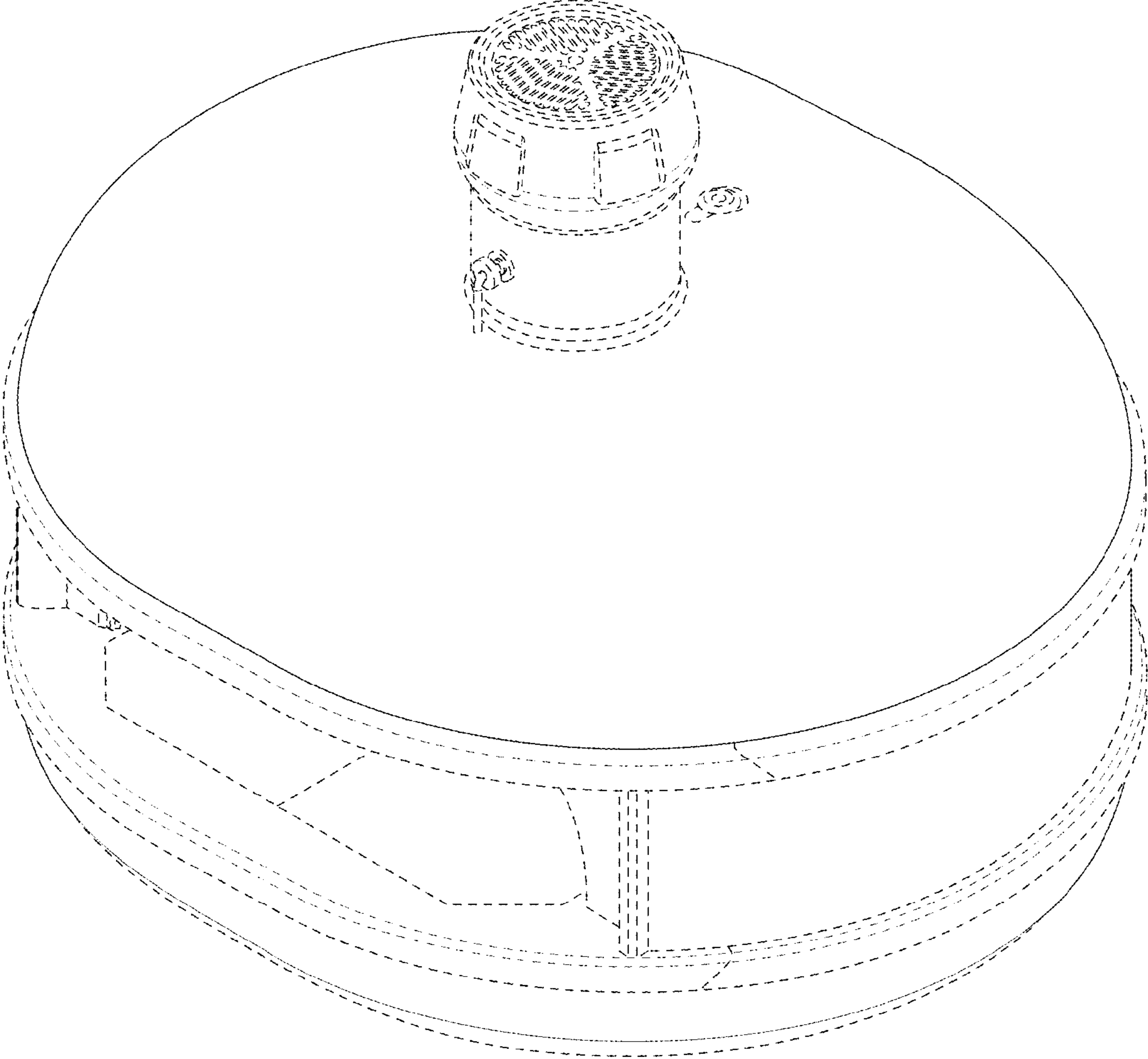


FIG. 1

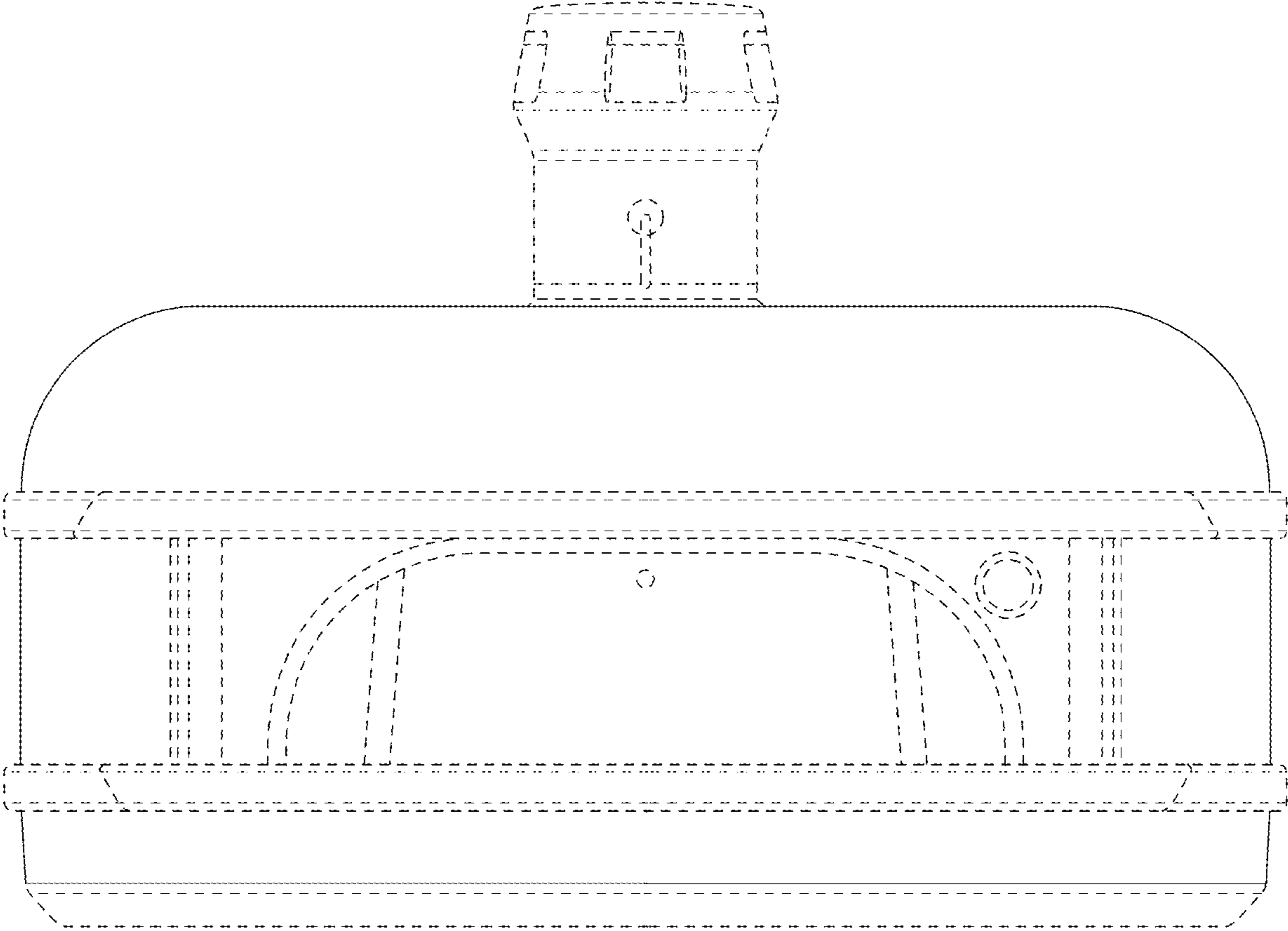


FIG. 2

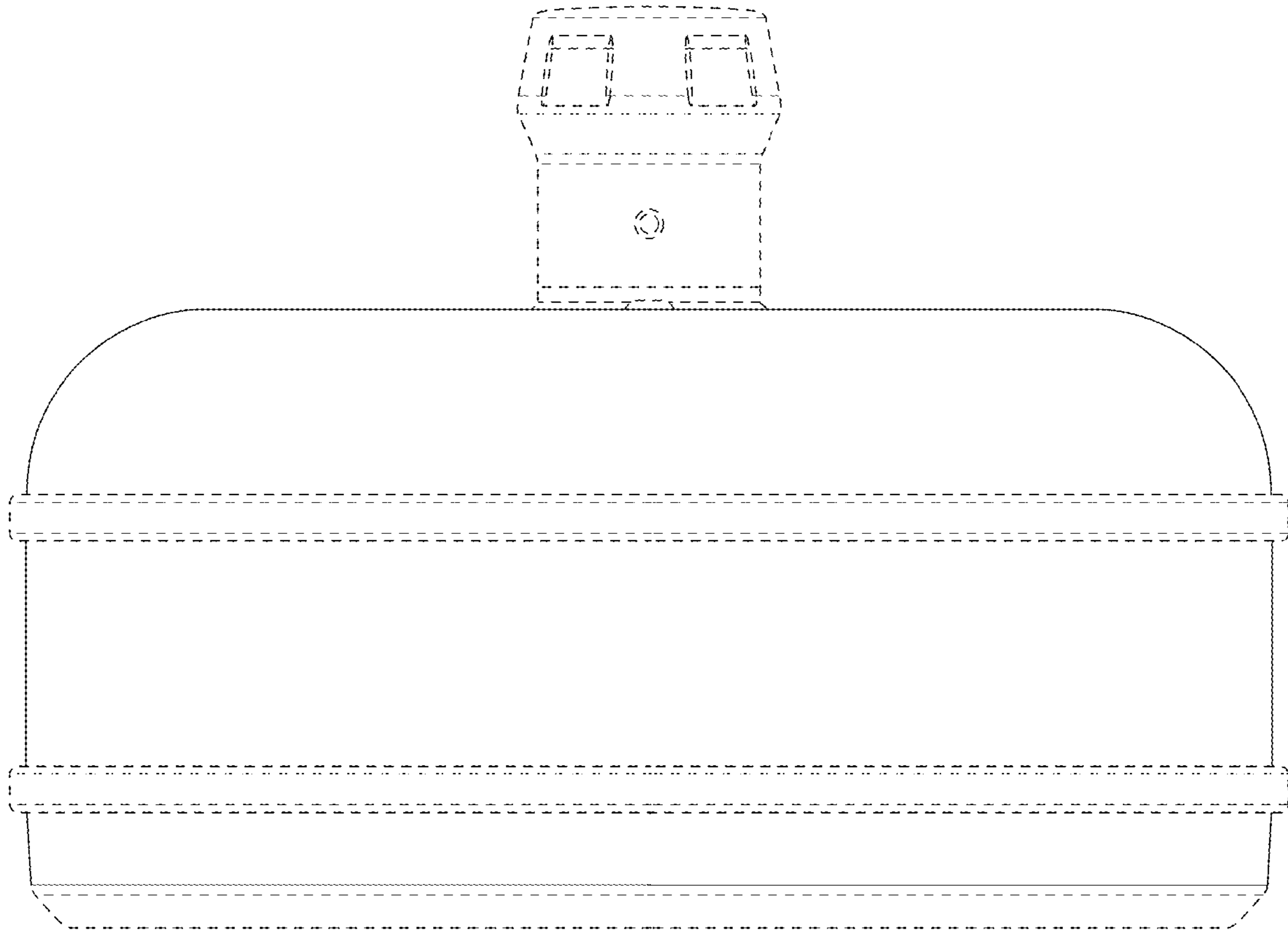


FIG. 3

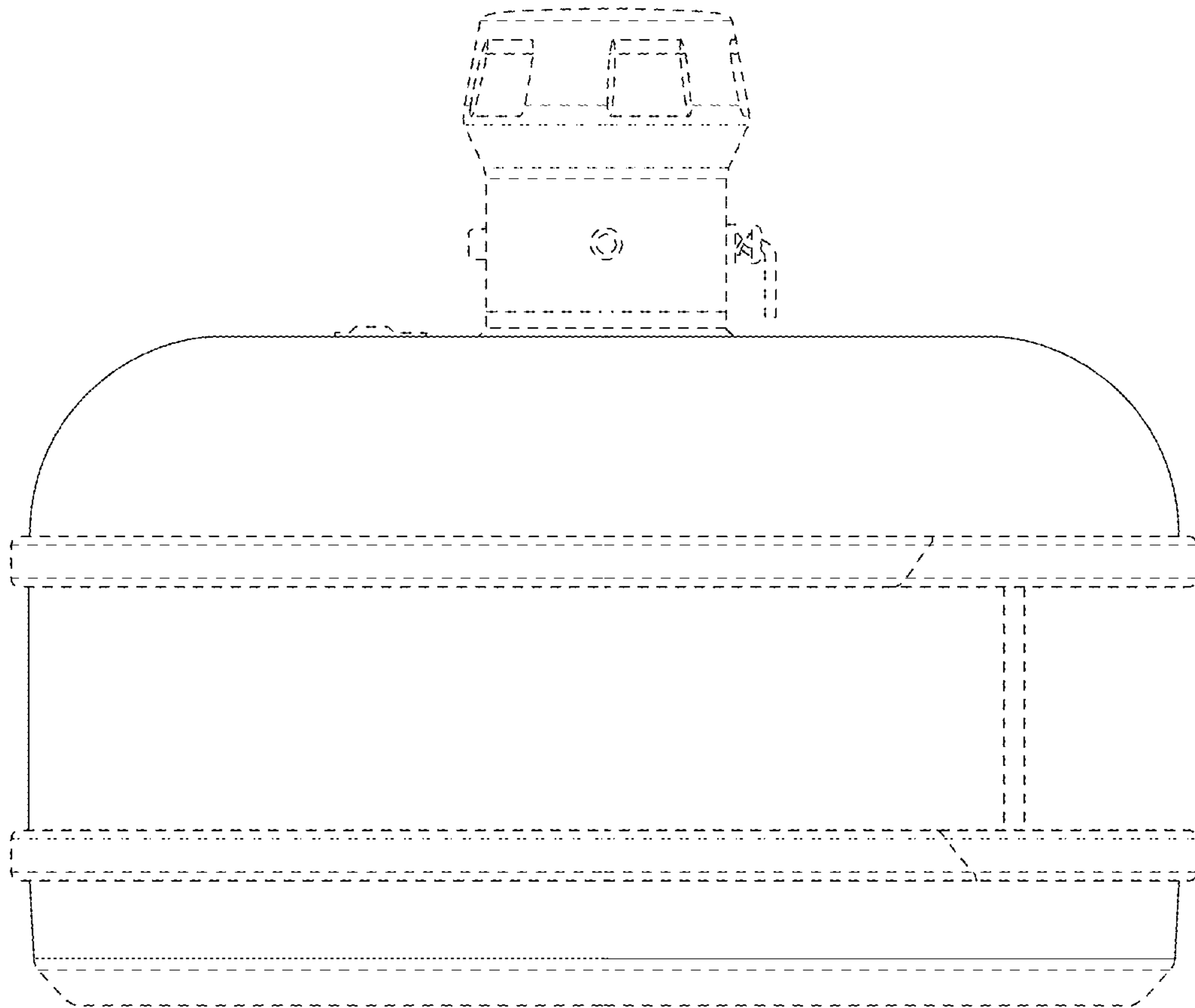


FIG. 4

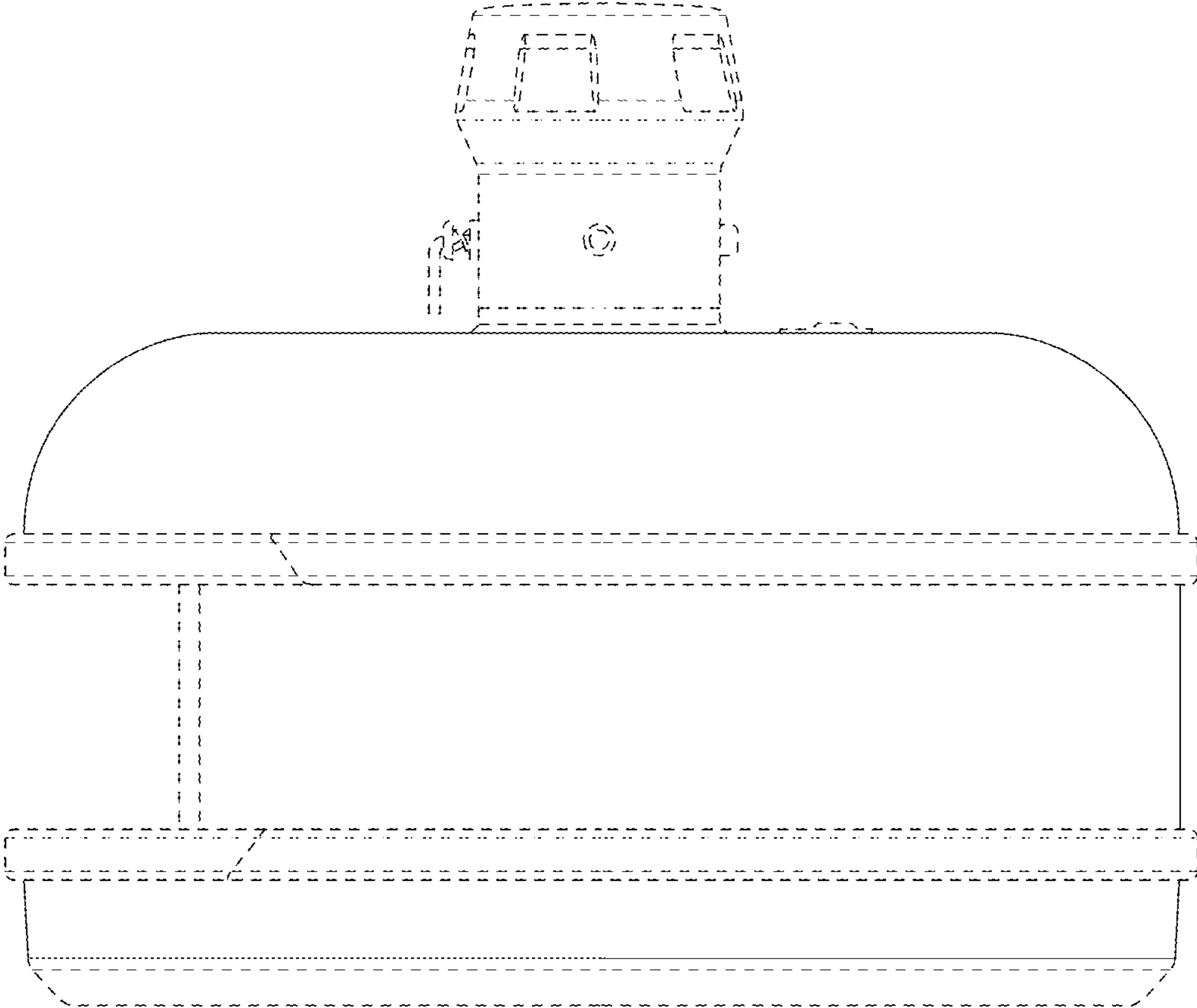


FIG. 5

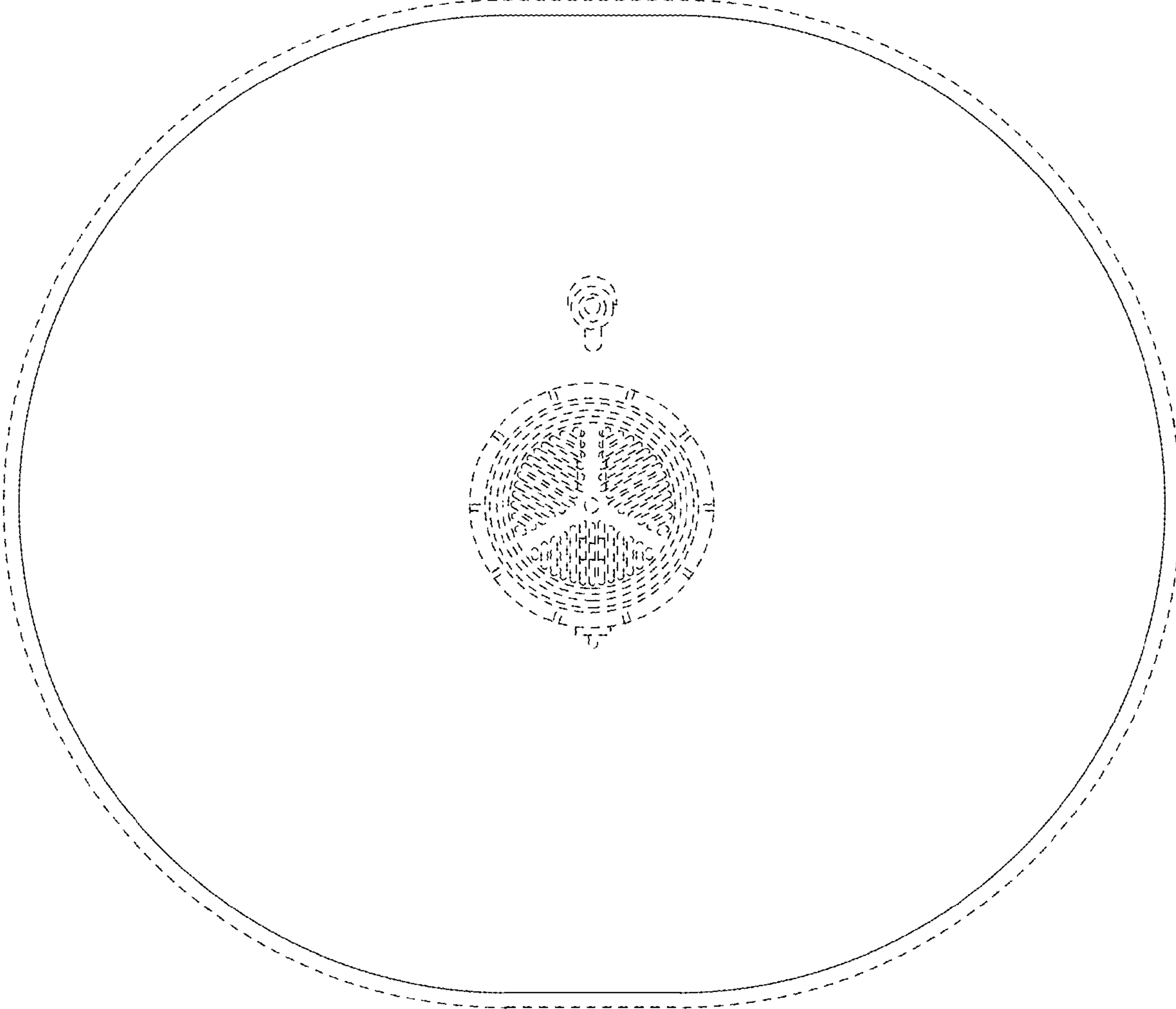


FIG. 6

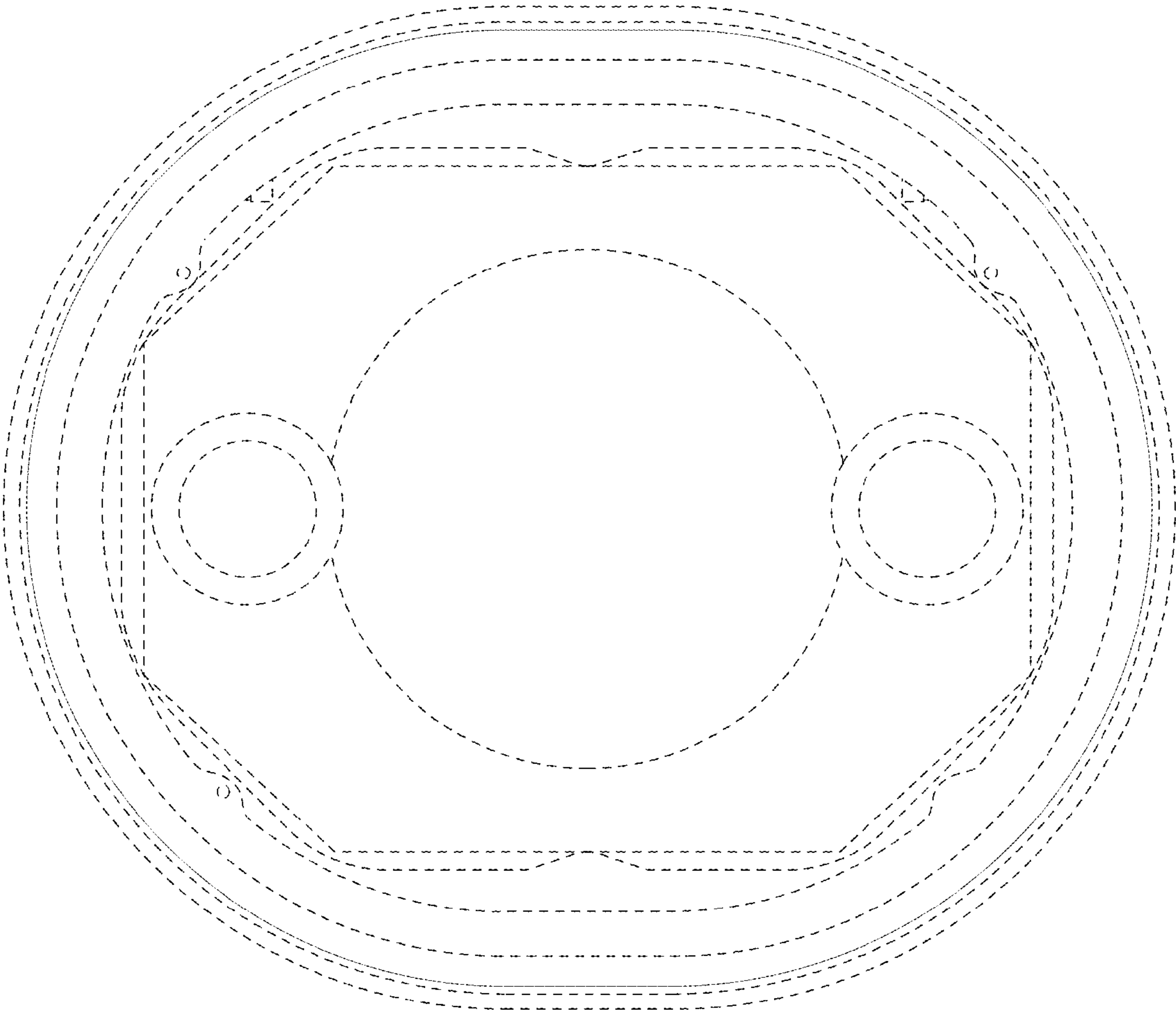


FIG. 7