



US00D986664S

(12) **United States Design Patent** (10) **Patent No.:** **US D986,664 S**  
**Liang** (45) **Date of Patent:** **\*\* May 23, 2023**

(54) **ELECTRIC KETTLE**  
(71) Applicant: **Jiangmen Fanwei General Electric Co., Ltd., Jiangmen (CN)**  
(72) Inventor: **Jianfei Liang, Kaiping (CN)**  
(73) Assignee: **Jiangmen Fanwei General Electric Co., Ltd.**  
(\*\*) Term: **15 Years**

D862,147 S \* 10/2019 Hagger ..... D7/312  
D862,160 S \* 10/2019 McConnell ..... D7/399  
D874,206 S \* 2/2020 Shir ..... D7/321  
D876,148 S \* 2/2020 Jing ..... D7/318  
D878,848 S \* 3/2020 Hu ..... D7/317  
D884,409 S \* 5/2020 Bodum ..... D7/321  
D885,107 S \* 5/2020 Katsunuma ..... D7/312  
D885,108 S \* 5/2020 Katsunuma ..... D7/312  
D885,109 S \* 5/2020 Katsunuma ..... D7/321  
D885,110 S \* 5/2020 Katsunuma ..... D7/321  
D942,794 S \* 2/2022 Yang ..... D7/321  
D951,694 S \* 5/2022 Ryu ..... D7/321

(Continued)

(21) Appl. No.: **29/814,889**

(22) Filed: **Nov. 9, 2021**

(51) **LOC (14) Cl.** ..... **07-01**

(52) **U.S. Cl.**  
USPC ..... **D7/321**

(58) **Field of Classification Search**  
USPC ..... D7/312, 313, 316, 317, 318, 319, 320,  
D7/321, 322, 398, 399  
CPC ..... A47G 19/12; A47G 19/14; A47G 19/16;  
A47G 2019/122; A47J 31/007; A47J  
31/14; A47J 31/18; A47J 31/303; A47J  
31/057; A47J 31/053; A47J 31/06; A47J  
27/21; A47J 31/50; A47J 31/005; A47J  
31/0576; A47J 45/08; A47J 31/4439;  
A47J 31/56; A47J 31/40; B65D  
2581/3409; B65D 85/8061; B65D 25/48  
See application file for complete search history.

(56) **References Cited**

**U.S. PATENT DOCUMENTS**

D354,879 S \* 1/1995 Ullmann ..... G05D 23/22  
D7/312  
D646,522 S \* 10/2011 Collinson ..... D7/378  
D683,584 S \* 6/2013 Gross ..... D7/321  
D752,375 S \* 3/2016 Maitland ..... D7/317  
D796,888 S \* 9/2017 Miller ..... D7/321  
D828,070 S \* 9/2018 Wastney ..... D7/321  
D834,884 S \* 12/2018 McConnell ..... D7/397  
D861,408 S \* 10/2019 Hagger ..... D7/312

**OTHER PUBLICATIONS**

Stagg EKG Electric Kettle, fellowproducts.com, First available date: Sep. 26, 2020. Retrieved from the internet Feb. 9, 2023-<https://fellowproducts.com/products/stagg-ekg-electric-pour-over-kettle? (Year: 2020).\*

*Primary Examiner* — Joseph Kukella  
*Assistant Examiner* — Darryl J Dardenne  
(74) *Attorney, Agent, or Firm* — Jeenam Park

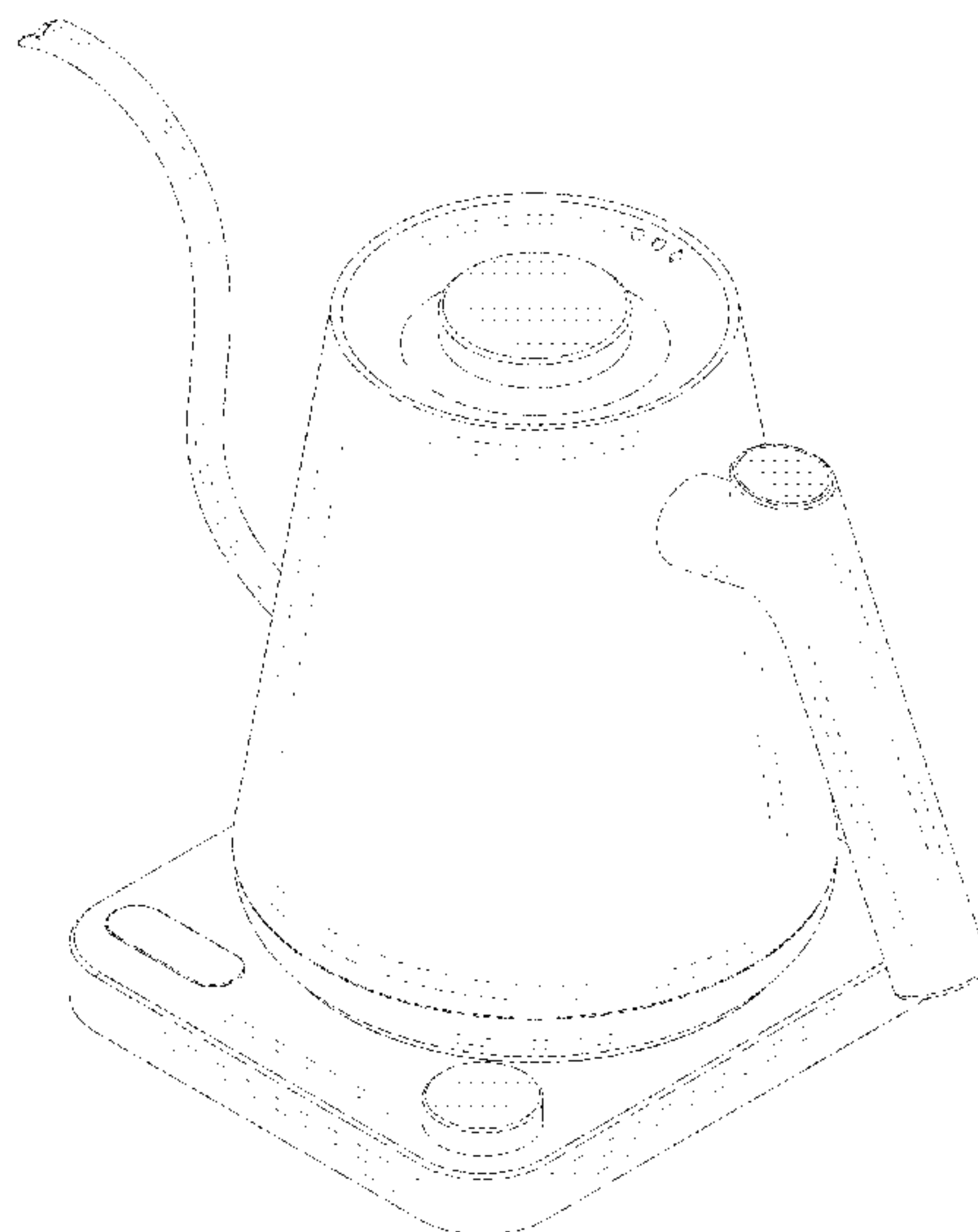
(57) **CLAIM**

The ornamental design for an electric kettle, as shown and described.

**DESCRIPTION**

FIG. 1 is a right side elevation view of an electric kettle, showing my new design;  
FIG. 2 is a left side elevation view thereof;  
FIG. 3 is a front elevation view thereof;  
FIG. 4 is a rear elevation view thereof;  
FIG. 5 is a top plan view thereof;  
FIG. 6 is a bottom plan view thereof;  
FIG. 7 is a right side, rear and top perspective view thereof;  
and,  
FIG. 8 is a left side, front and bottom perspective view thereof.

**1 Claim, 8 Drawing Sheets**



(56)

**References Cited**

U.S. PATENT DOCUMENTS

D977,292 S \* 2/2023 Kim ..... D7/318  
2018/0160847 A1\* 6/2018 Miller ..... G05D 23/22

\* cited by examiner

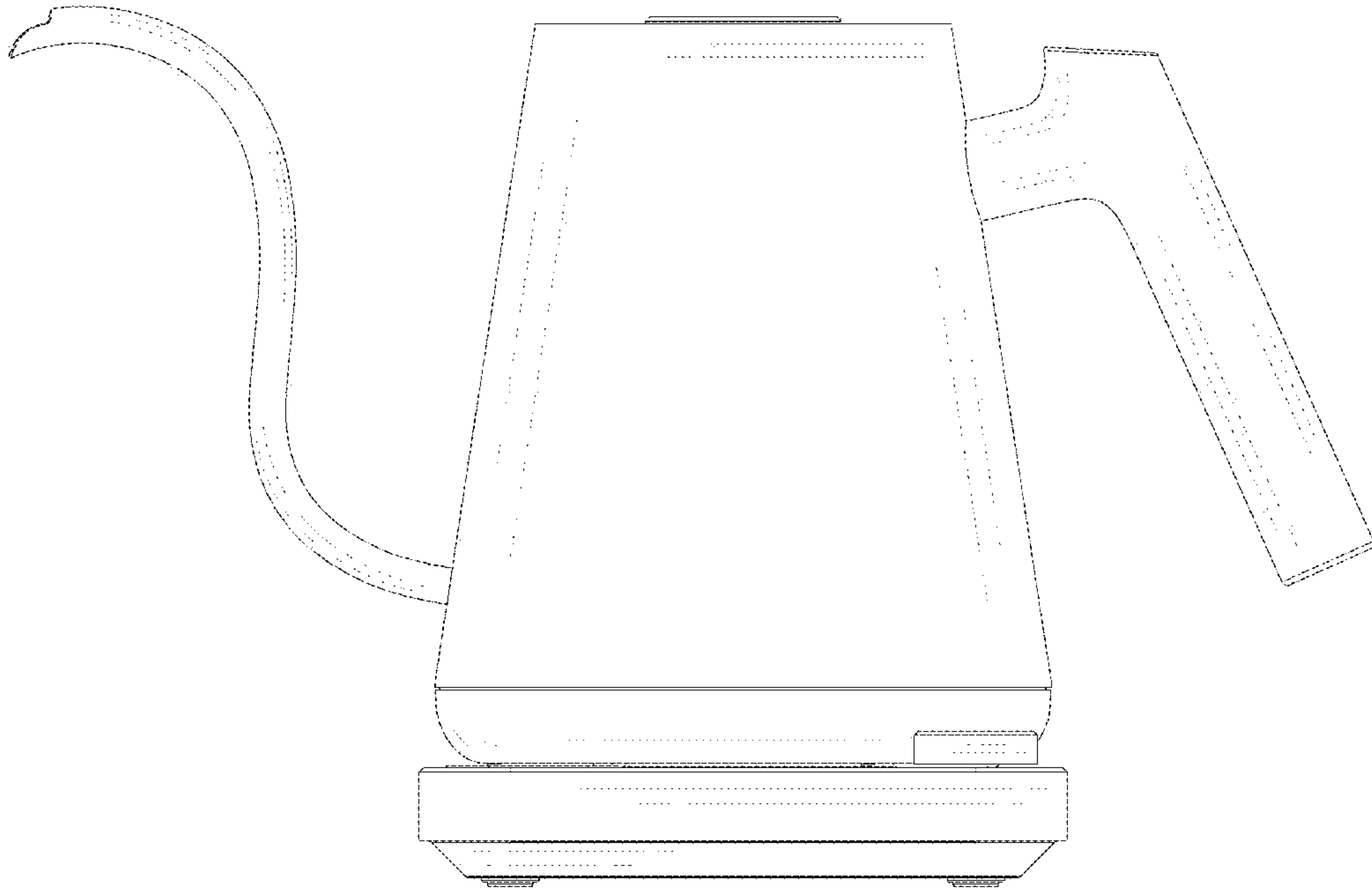


FIG. 1

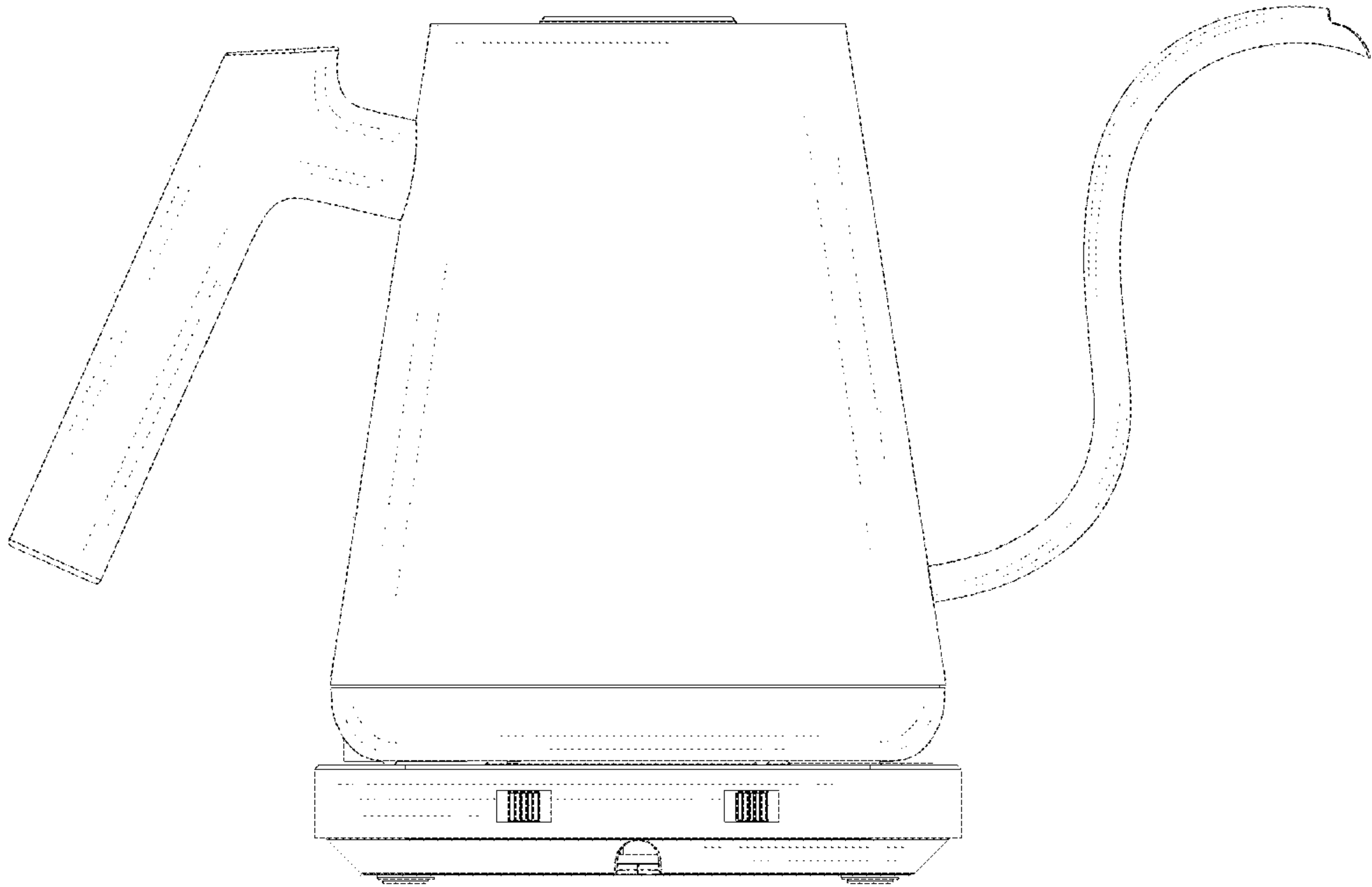


FIG. 2

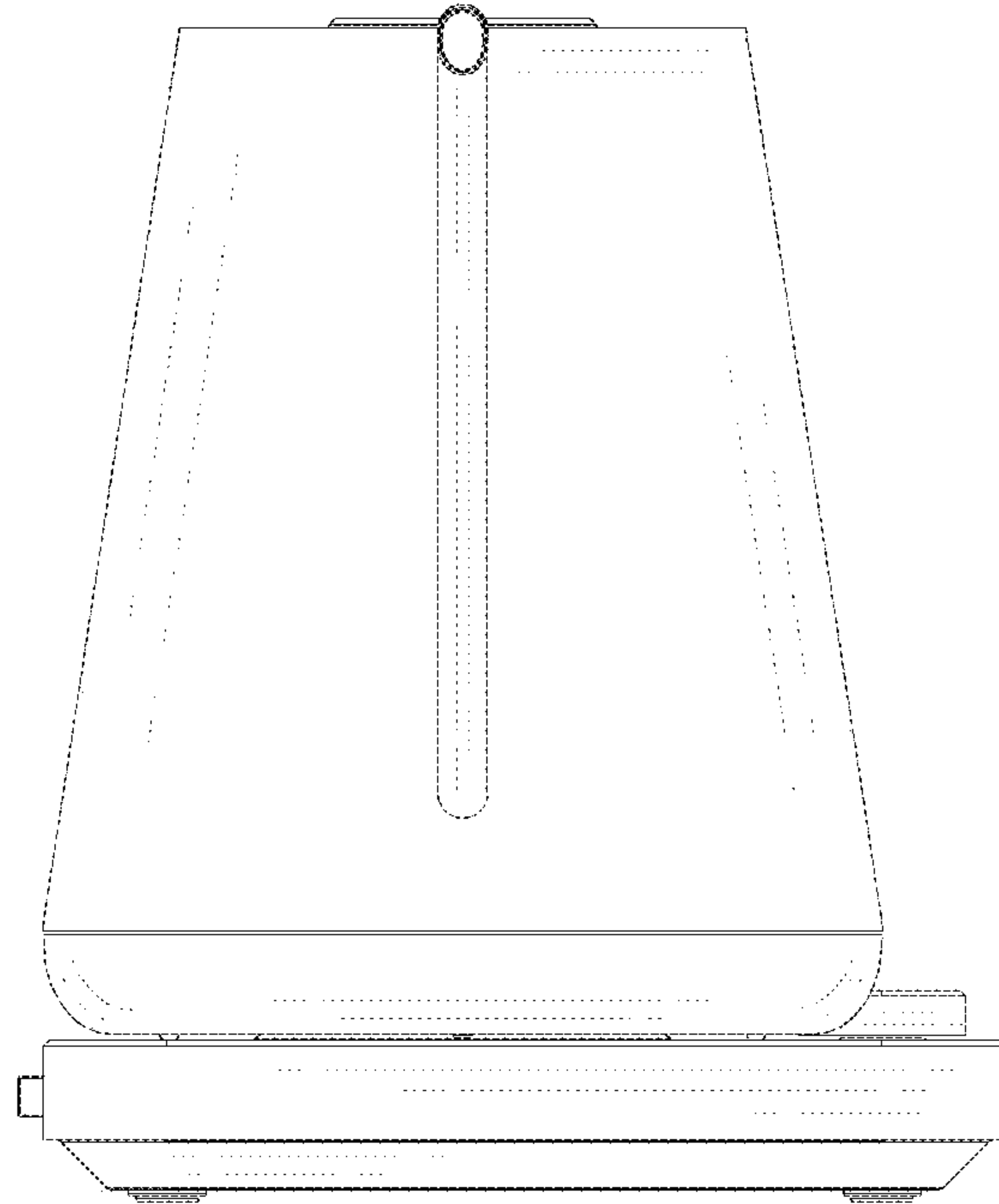


FIG. 3

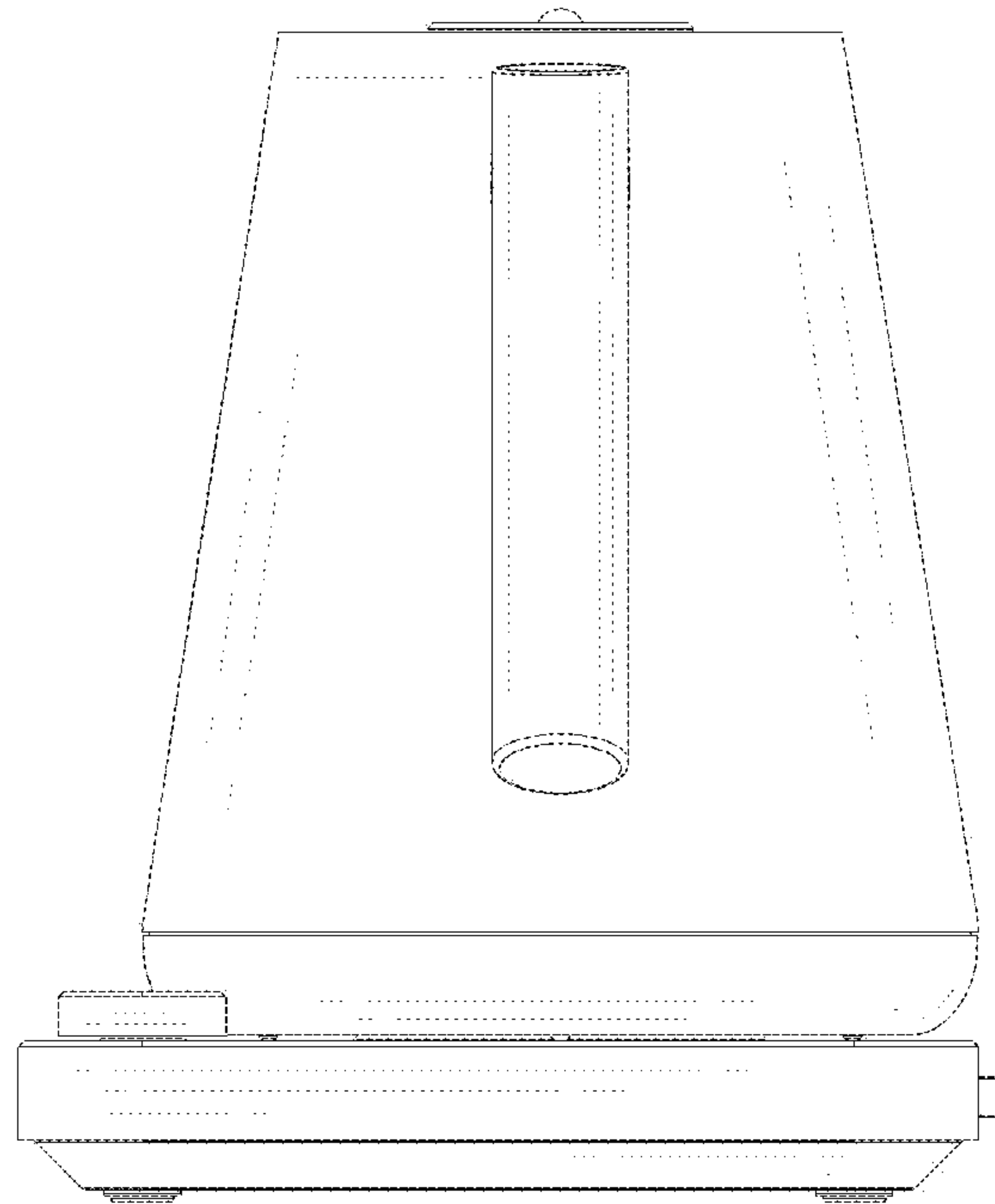


FIG. 4

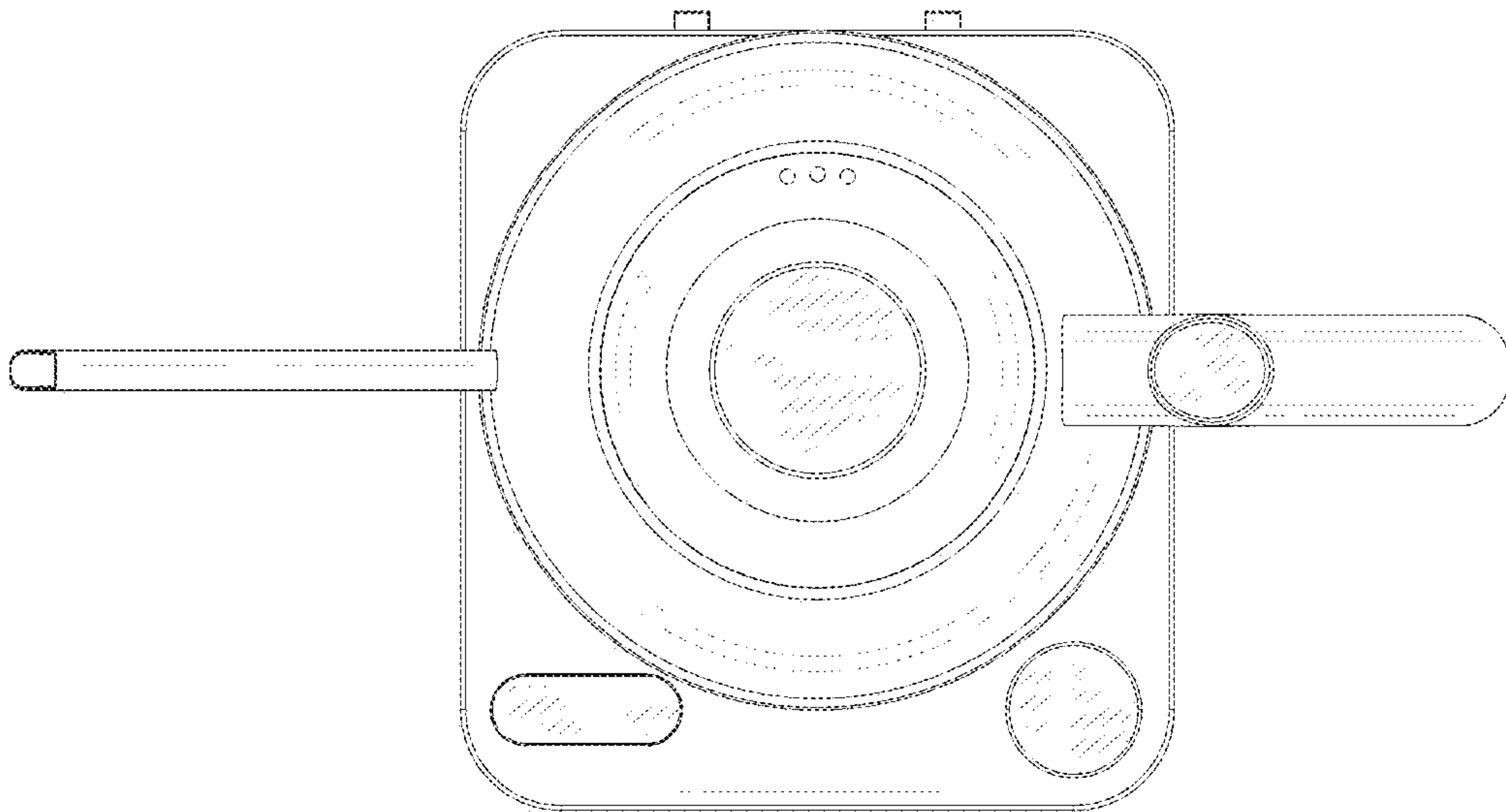


FIG. 5

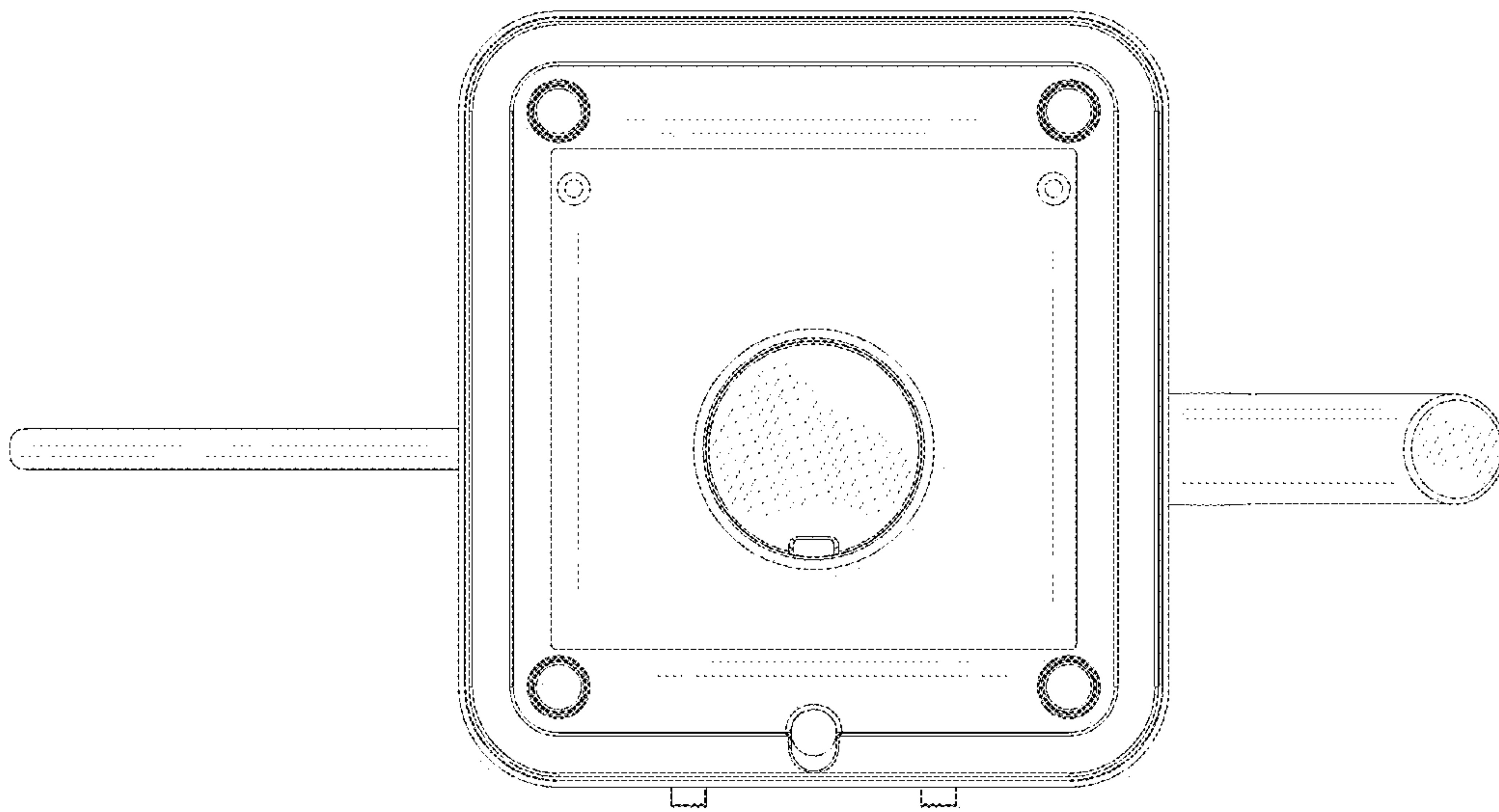


FIG. 6



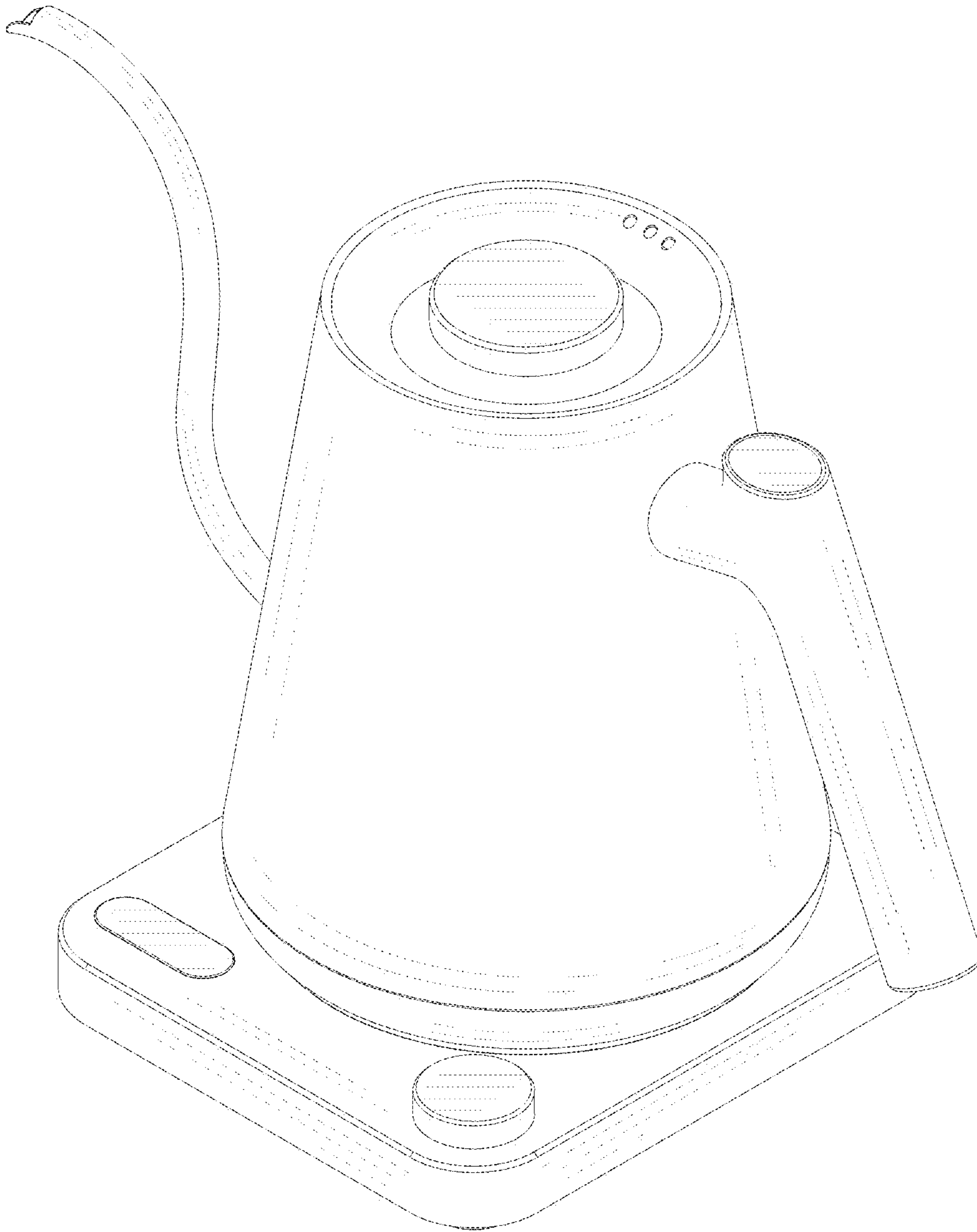


FIG. 7

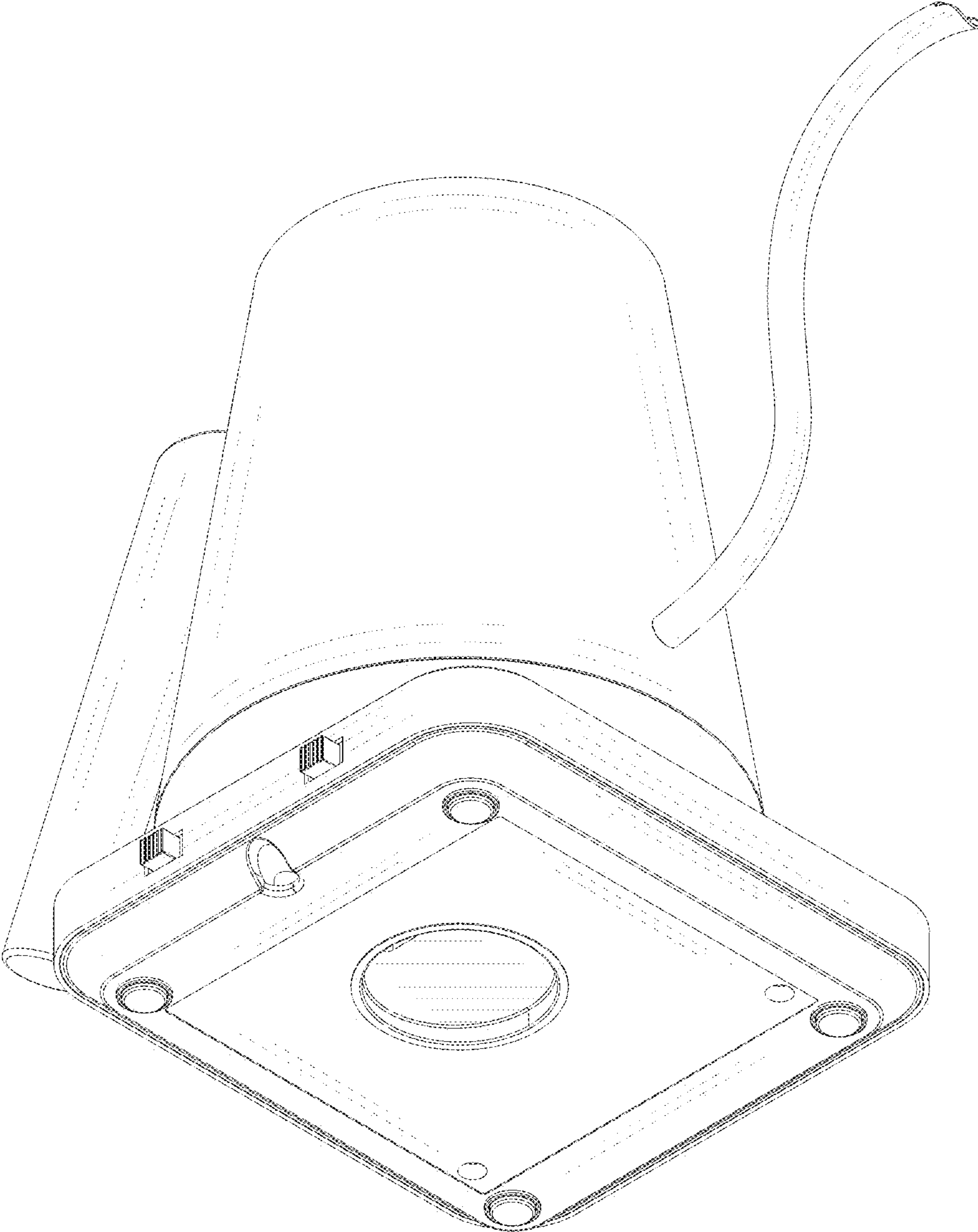


FIG. 8