



US00D986658S

(12) **United States Design Patent** (10) **Patent No.:** **US D986,658 S**  
**Tian** (45) **Date of Patent:** **\*\* May 23, 2023**

(54) **COFFEE TABLE**

(71) Applicant: **HUIZHOU GREAT HARVEST  
WORLDWIDE INDUSTRY CO.,  
LTD**, Huizhou (CN)  
(72) Inventor: **Xuming Tian**, Liuyang (CN)  
(73) Assignee: **HUIZHOU GREAT HARVEST  
WORLDWIDE INDUSTRY CO.,  
LTD**, Huizhou (CN)

(\*\*) Term: **15 Years**

(21) Appl. No.: **29/801,241**

(22) Filed: **Jul. 28, 2021**

(51) **LOC (14) Cl.** ..... **06-03**

(52) **U.S. Cl.**  
USPC ..... **D6/691.9**; D6/691.1

(58) **Field of Classification Search**  
USPC ..... D6/349, 685, 686, 691, 691.1–691.9  
CPC ..... A47B 7/00; A47B 13/00; A47B 13/02;  
A47B 13/04; A47B 13/06; A47B 13/08;  
A47B 13/12; A47B 21/00; A47B  
2200/0001; A47B 2200/0011; A47B  
2200/002

See application file for complete search history.

(56) **References Cited**

**U.S. PATENT DOCUMENTS**

D250,860 S *	1/1979	Castro	.....	A47B 95/043 D6/349
D412,068 S *	7/1999	Lange, Jr.	.....	D6/349
D416,143 S *	11/1999	Ragan	.....	D6/349
D476,823 S *	7/2003	Jackson	.....	D6/691.6
D502,617 S *	3/2005	Chang	.....	D6/691.9
D614,889 S *	5/2010	Van Duysen	.....	D6/691.5
2007/0090259 A1 *	4/2007	Chen	.....	A47B 95/043 248/345.1

**OTHER PUBLICATIONS**

Forest Gate™ 30-Inch Square Coffee Table—Bed Bath & Beyond  
<https://www.BedBath&Beyondbedbathandbeyond.com/store/product/forest-gate-30-inch-square-coffee-table-ottoman/5425451?keyword=ottoman-coffee-table> retrieved from the internet on Mar. 6, 2023.\*  
Briar Square Cocktail Table—Ballard Design <https://www.ballarddesigns.com/briar-square-cocktail-table/furniture/living-room/ottomans/394823> retrieved from the internet on Mar. 6, 2023.\*  
Walker Edison Abri Modern Farmhouse Metal X Tufted Ottoman—Amazon <https://www.amazon.com/Furniture-Farmhouse-Cocktail-Reclaimed-Barnwood/dp/B07XQQQTHK> retrieved from the internet on Mar. 6, 2023.\*  
24KF Velvet Upholstered Tufted Bench with Solid Wood Leg—Amazon <https://www.amazon.com/WEMART-Velvet-Upholstered-Ottoman-Seat-Seaglass/dp/B07FRL832R> retrieved from the internet on Mar. 6, 2023.\*

\* cited by examiner

*Primary Examiner* — Mary Ann Calabrese

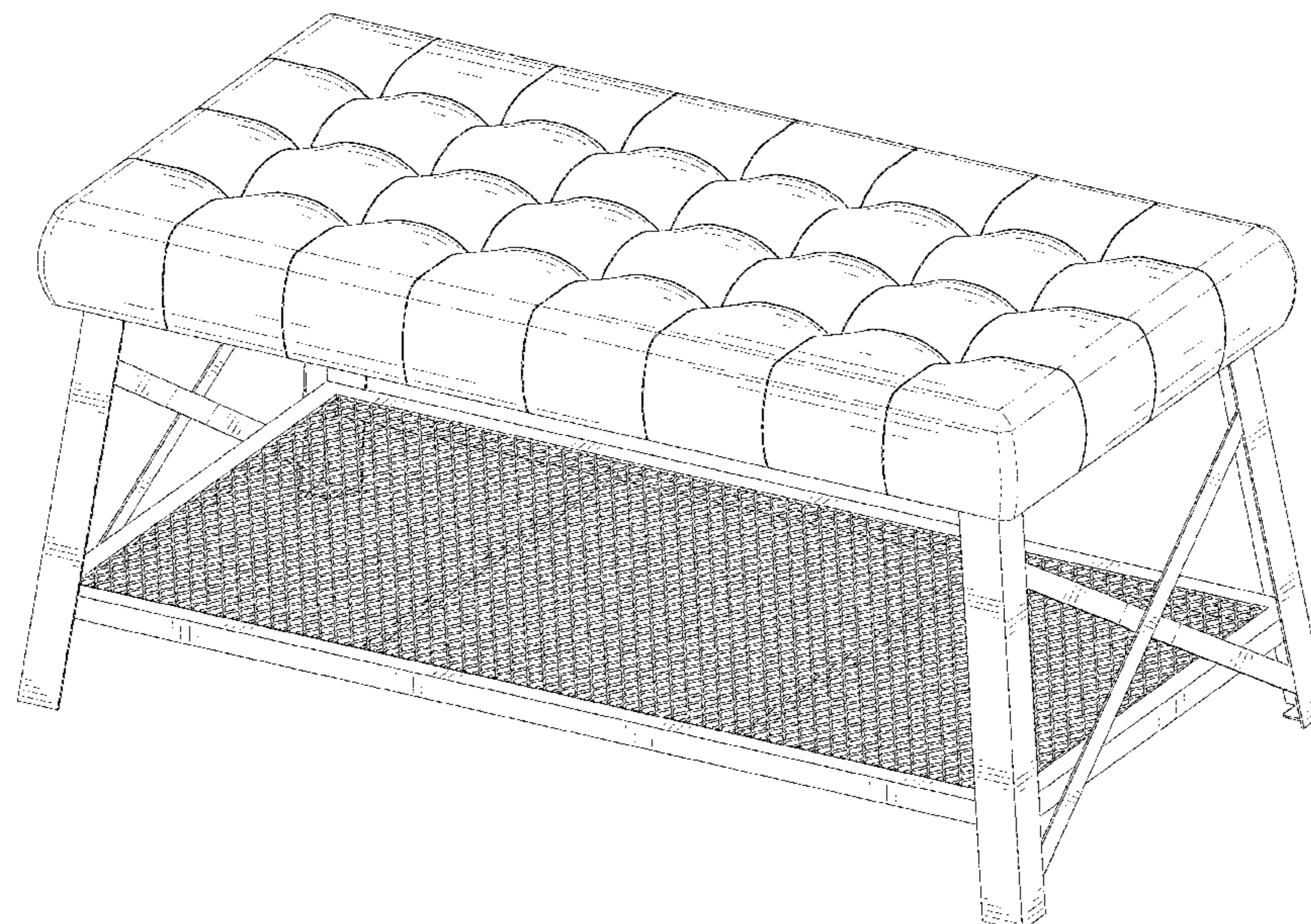
(57) **CLAIM**

The ornamental design for a coffee table, as shown and described.

**DESCRIPTION**

FIG. 1 is a top perspective view of a coffee table showing my new design;  
FIG. 2 is a bottom perspective view thereof;  
FIG. 3 is a front elevational view thereof;  
FIG. 4 is a rear elevational view thereof;  
FIG. 5 is a left side elevational view thereof;  
FIG. 6 is a right side elevational view thereof;  
FIG. 7 is a top plan view thereof;  
FIG. 8 is a bottom plan view thereof; and,  
FIG. 9 is an enlarged view of detail 9 shown in FIG. 2.

**1 Claim, 9 Drawing Sheets**



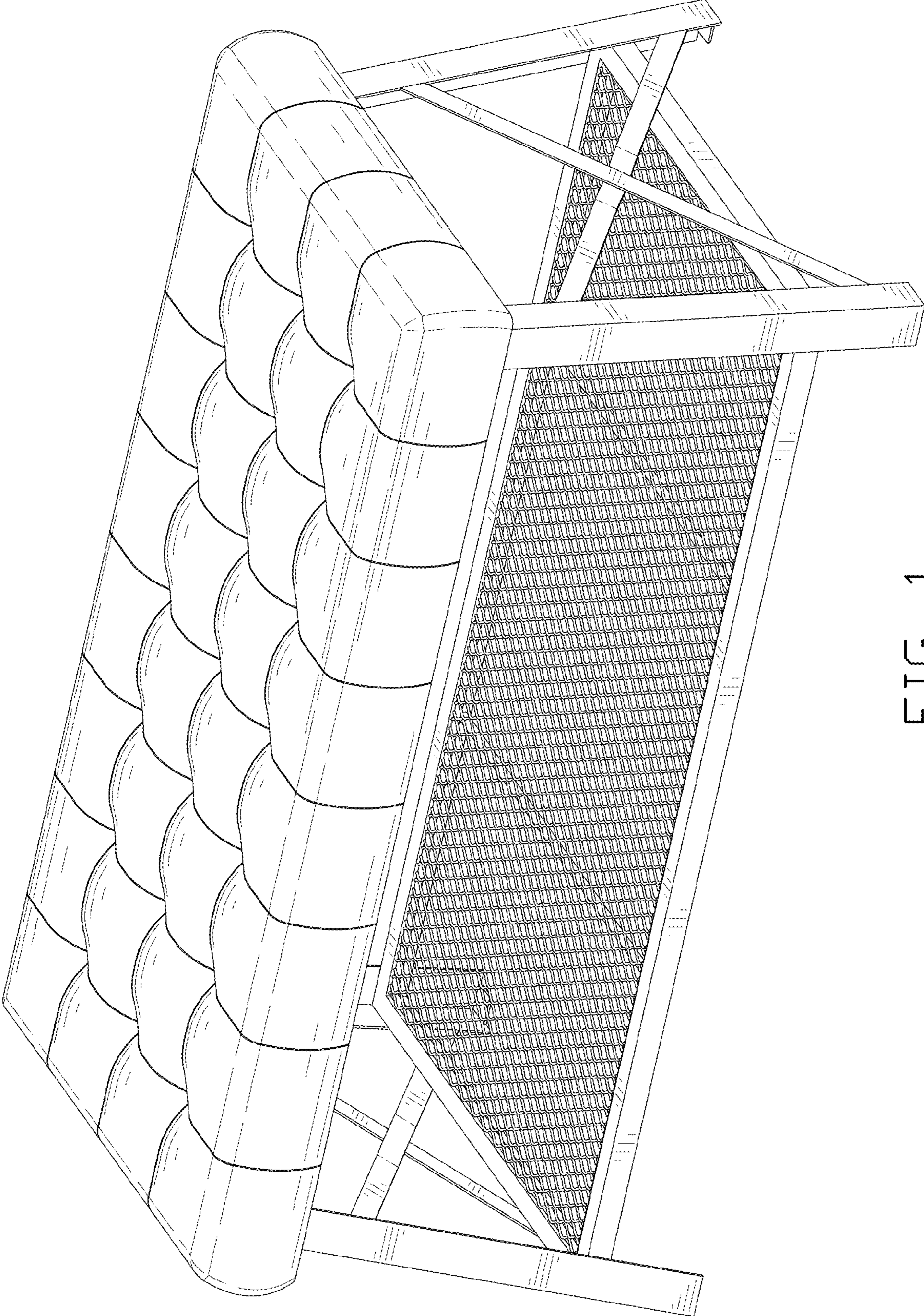


FIG. 1

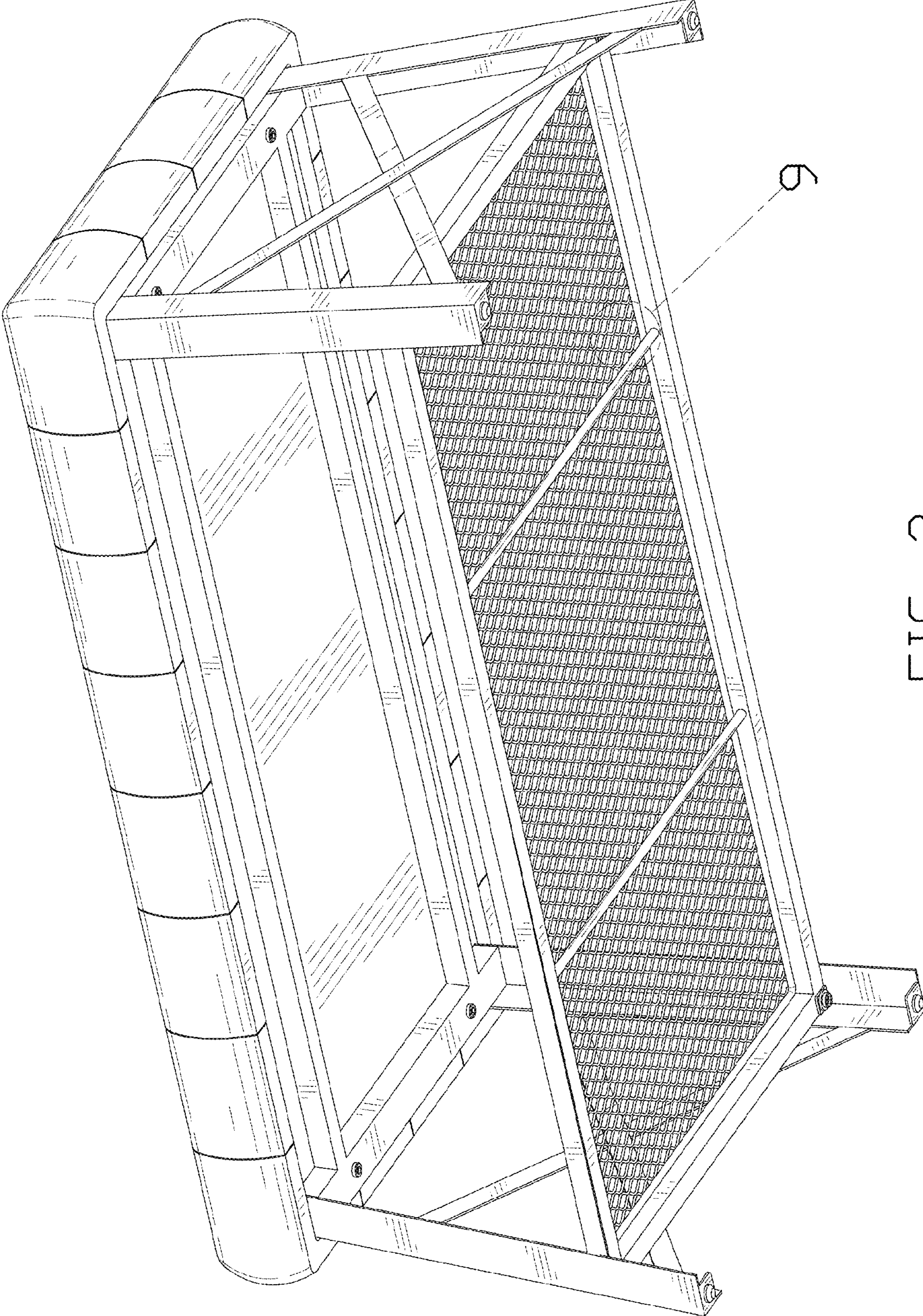


FIG. 2

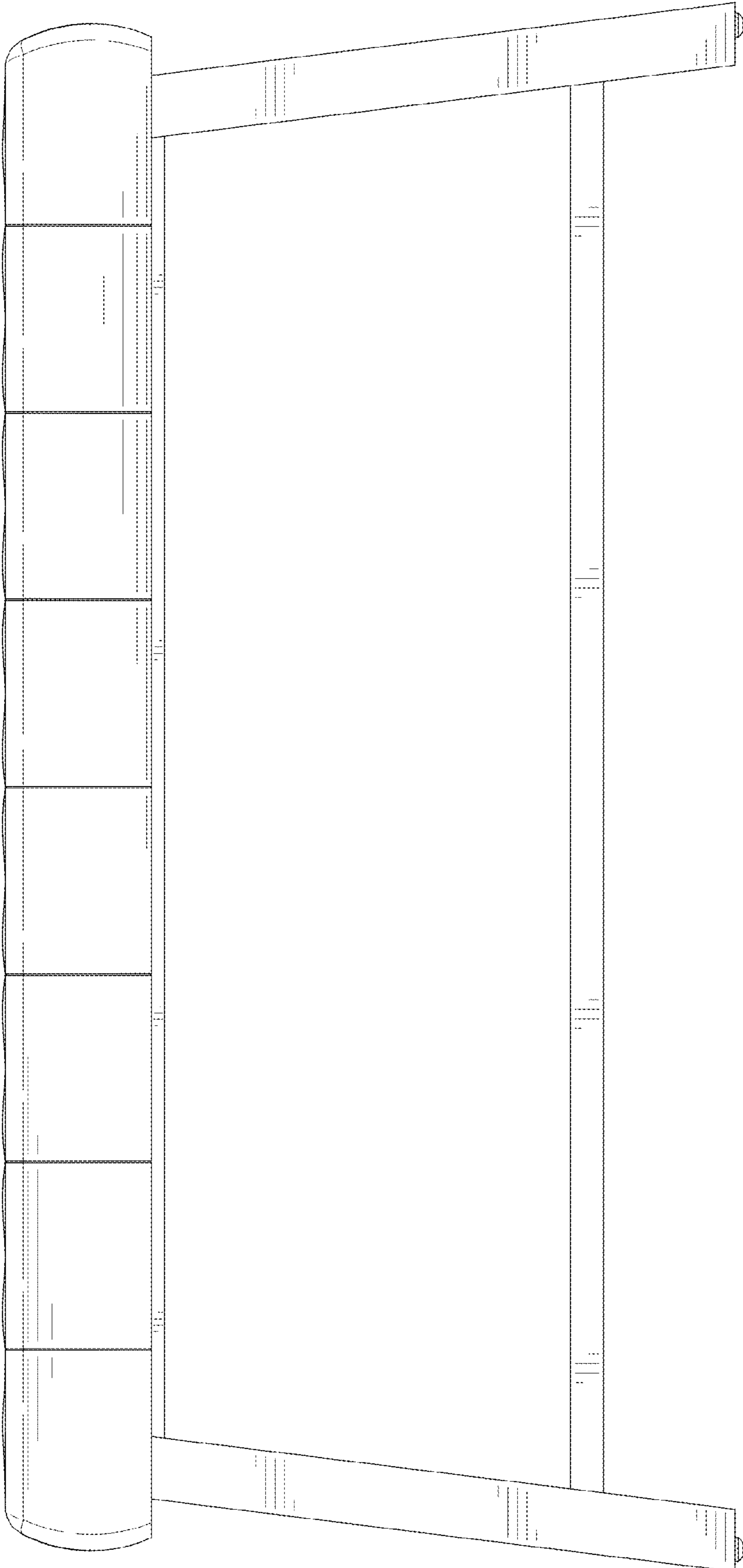


FIG. 3

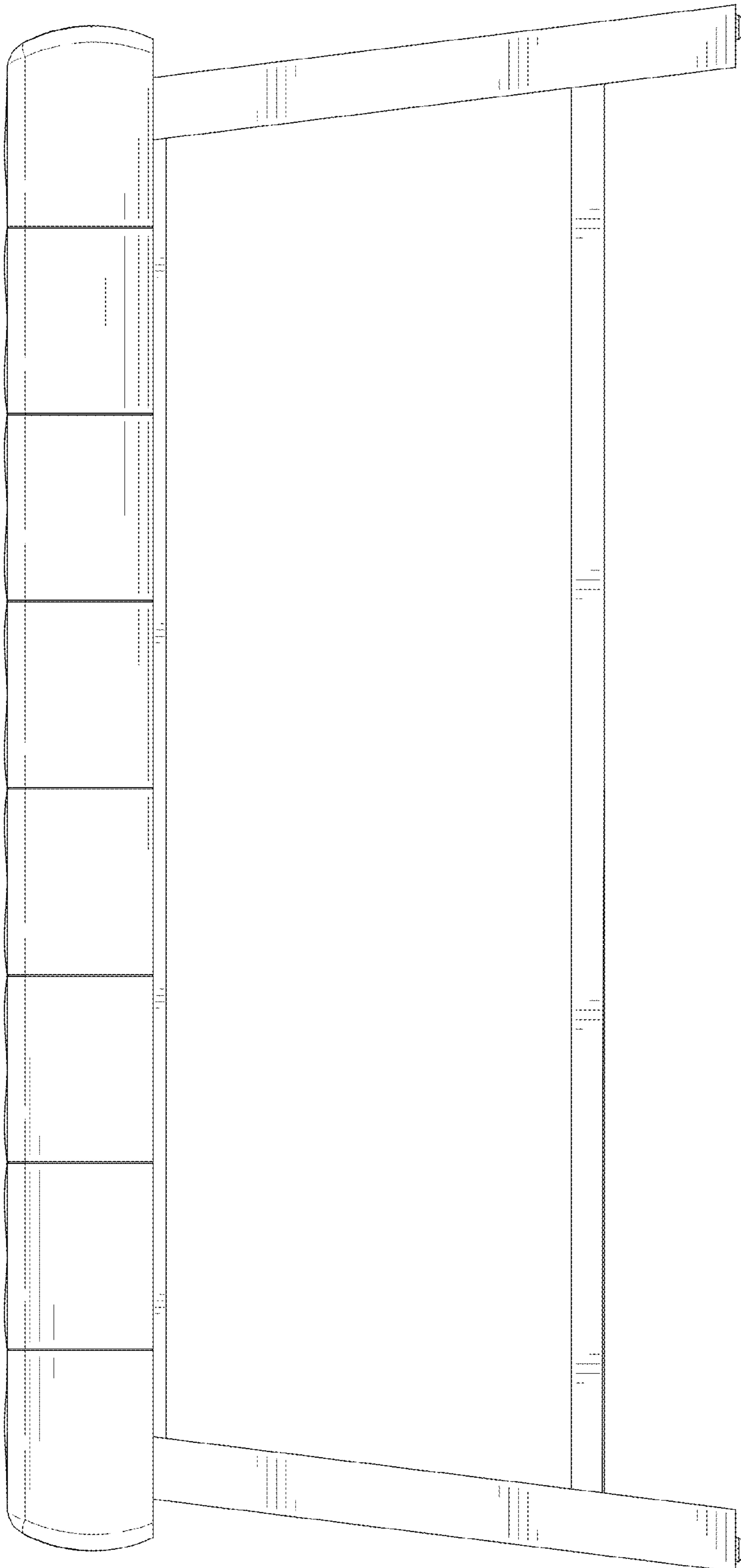


FIG. 4

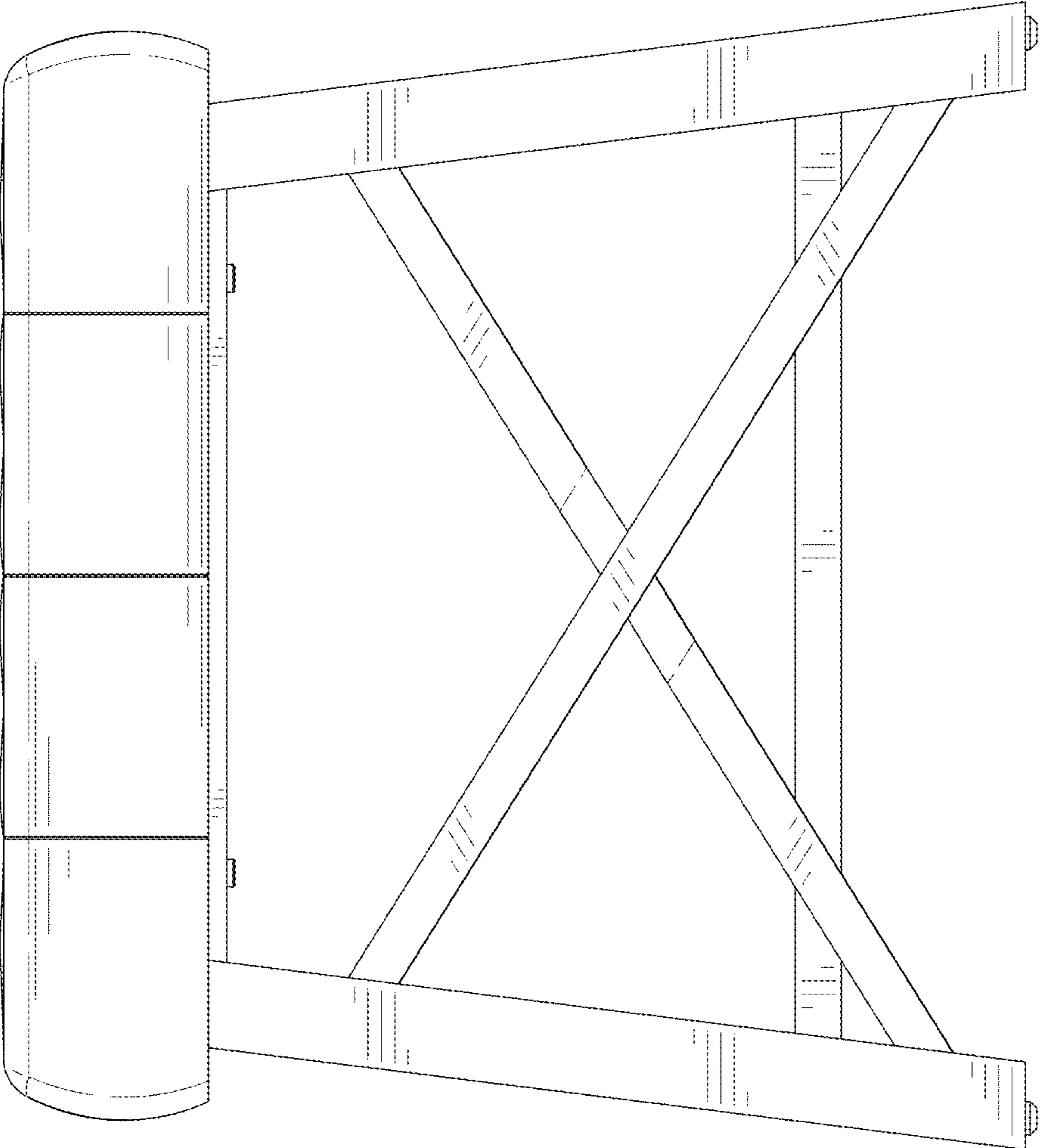


FIG. 5

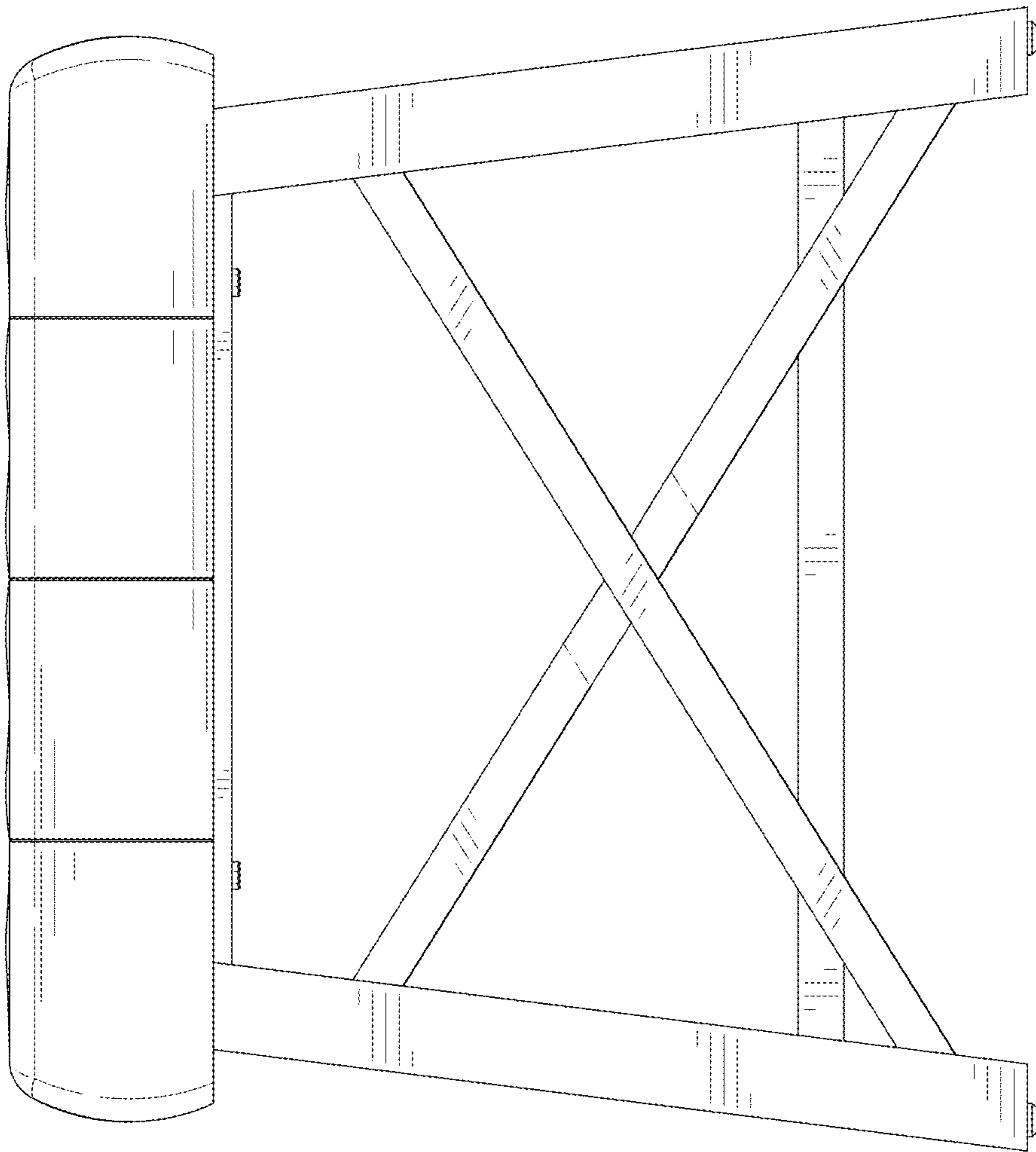


FIG. 6

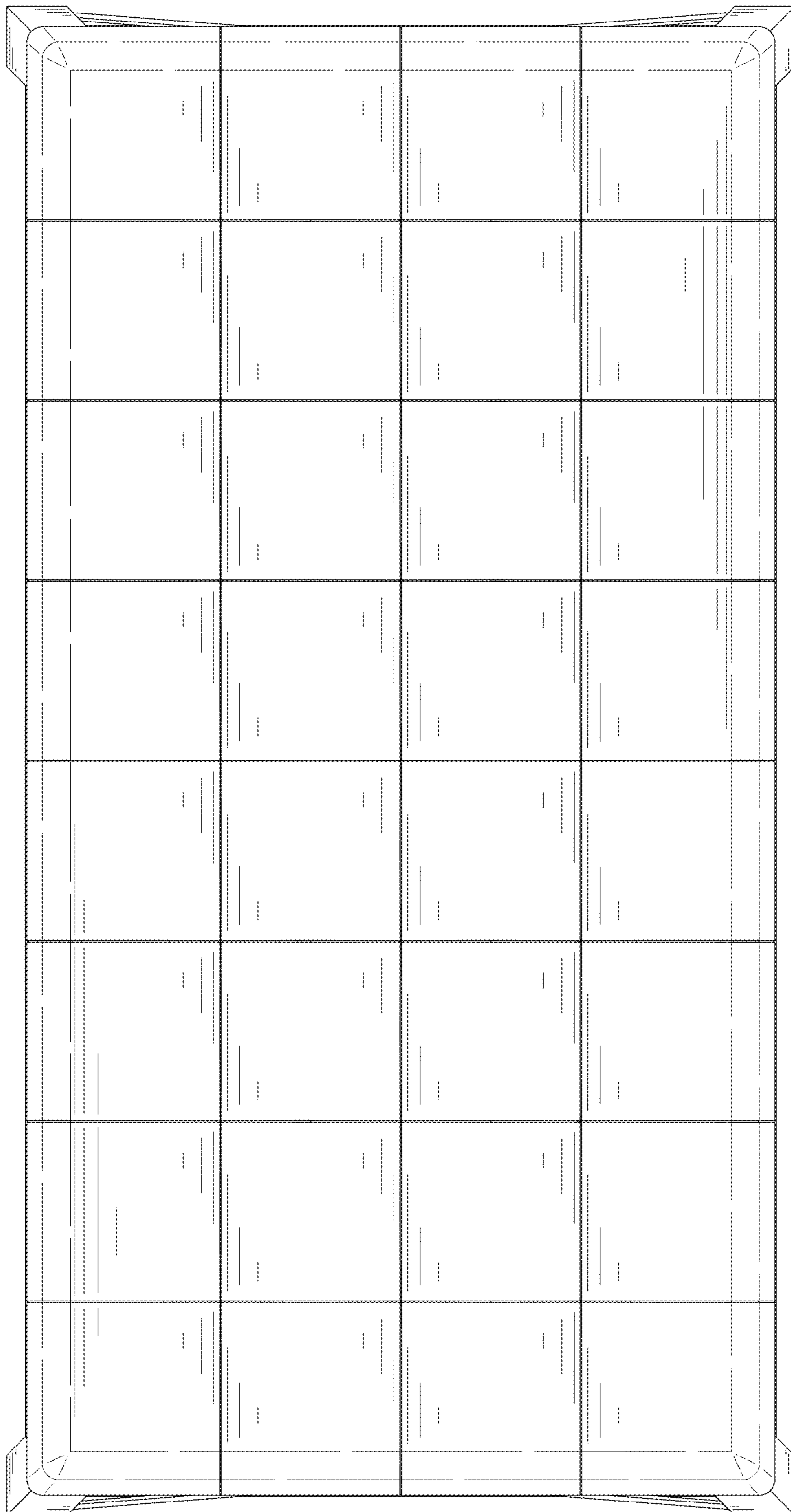


FIG. 7



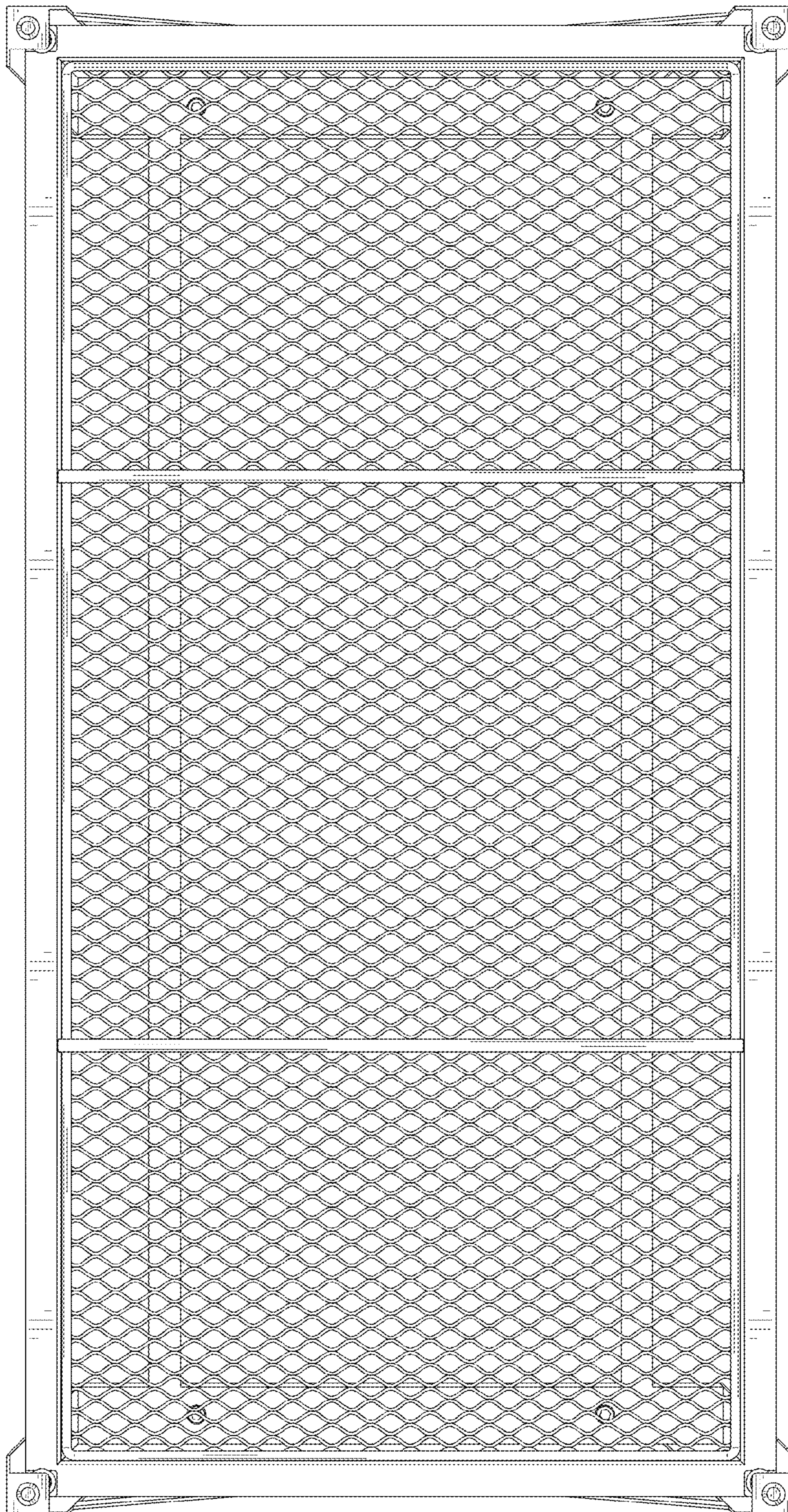


FIG. 8

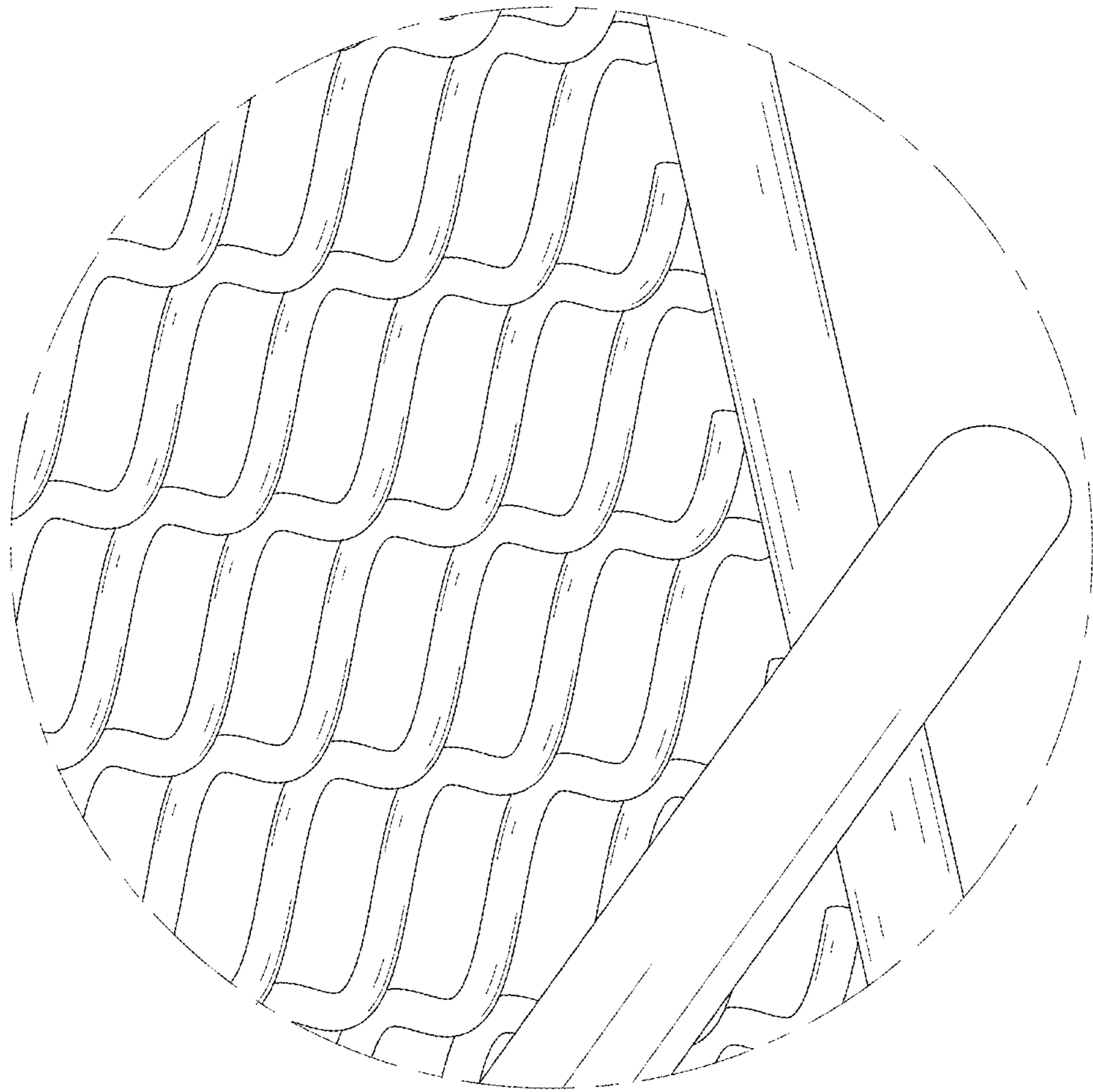


FIG. 9