



US00D986657S

(12) **United States Design Patent** (10) **Patent No.:** **US D986,657 S**  
**Tian** (45) **Date of Patent:** **\*\* May 23, 2023**

(54) **SIDE TABLE**

(71) Applicant: **HUIZHOU GREAT HARVEST  
WORLDWIDE INDUSTRY CO.,  
LTD**, Huizhou (CN)

(72) Inventor: **Xuming Tian**, Liuyang (CN)

(73) Assignee: **HUIZHOU GREAT HARVEST  
WORLDWIDE INDUSTRY CO.,  
LTD**, Huizhou (CN)

(\*\*) Term: **15 Years**

(21) Appl. No.: **29/803,898**

(22) Filed: **Aug. 17, 2021**

(51) **LOC (14) Cl.** ..... **06-03**

(52) **U.S. Cl.**  
USPC ..... **D6/691.8; D6/691.1**

(58) **Field of Classification Search**  
USPC ..... D6/349, 685, 686, 691, 691.1–691.9  
CPC ..... A47B 7/00; A47B 13/00; A47B 13/02;  
A47B 13/04; A47B 13/06; A47B 13/08;  
A47B 13/12; A47B 21/00; A47B  
2200/0001; A47B 2200/0011; A47B  
2200/002

See application file for complete search history.

(56) **References Cited**

**U.S. PATENT DOCUMENTS**

3,265,019 A \* 8/1966 Haydock ..... A47B 91/06  
108/119  
D233,392 S \* 10/1974 Hutchinson ..... D6/691.6  
D240,582 S \* 7/1976 Friedman ..... A47B 91/06  
D6/691.8

D244,076 S \* 4/1977 Saltz ..... D6/691.1  
D250,860 S \* 1/1979 Castro ..... D6/349  
D266,218 S \* 9/1982 Hodson ..... D6/691.8  
D416,143 S \* 11/1999 Ragan ..... D6/349  
D476,823 S \* 7/2003 Jackson ..... D6/691.6  
D811,787 S \* 3/2018 Olofsson ..... D6/697.1

**OTHER PUBLICATIONS**

Cortesi Home Large Tufted Coffee Table Ottoman—Amazon, first available Jul. 23, 2019 <https://www.amazon.com/dp/B07VNB6T6D?tag=furniturecom1-20&linkCode=osi&th=1> retrieved from the internet on Mar. 6, 2019.\*

Zeusv Slim Marble Rectangular Carrara marble coffee table, designed by Maurizio Peregalli 2017—Archiproducts [https://www.archiproducts.com/en/products/zeus/rectangular-carrara-marble-coffee-table-slim-marble-rectangular-coffeetable\\_425749](https://www.archiproducts.com/en/products/zeus/rectangular-carrara-marble-coffee-table-slim-marble-rectangular-coffeetable_425749) retrieved from the internet on Mar. 6, 2019.\*

\* cited by examiner

*Primary Examiner* — Mary Ann Calabrese

(57) **CLAIM**

The ornamental design for a side table, as shown and described.

**DESCRIPTION**

FIG. 1 is a top perspective view of a side table showing my new design;

FIG. 2 is a bottom perspective view thereof;

FIG. 3 is a front elevational view thereof;

FIG. 4 is a rear elevational view thereof;

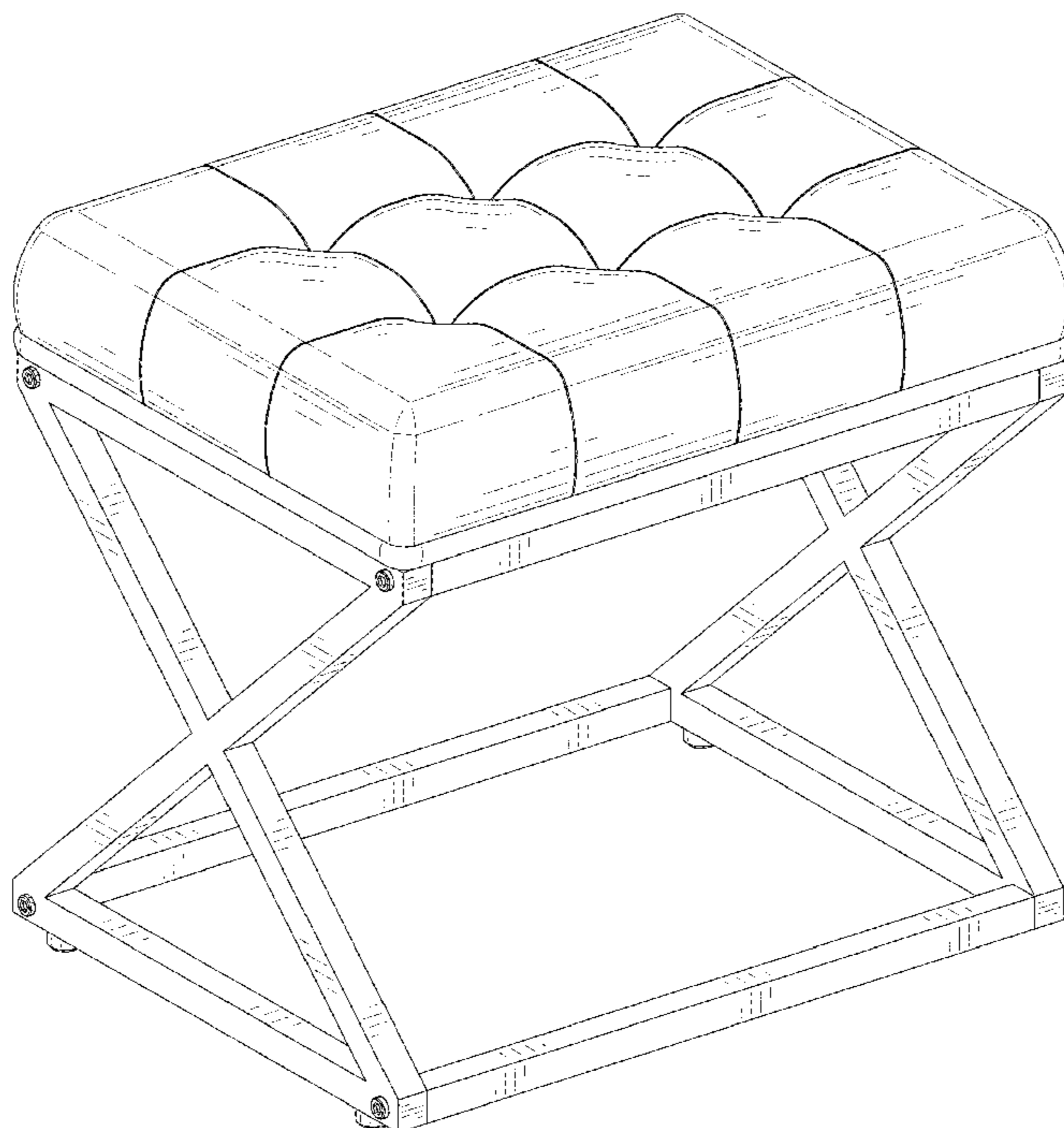
FIG. 5 is a left side elevational view thereof;

FIG. 6 is a right side elevational view thereof;

FIG. 7 is a top plan view thereof; and,

FIG. 8 is a bottom plan view thereof.

**1 Claim, 8 Drawing Sheets**



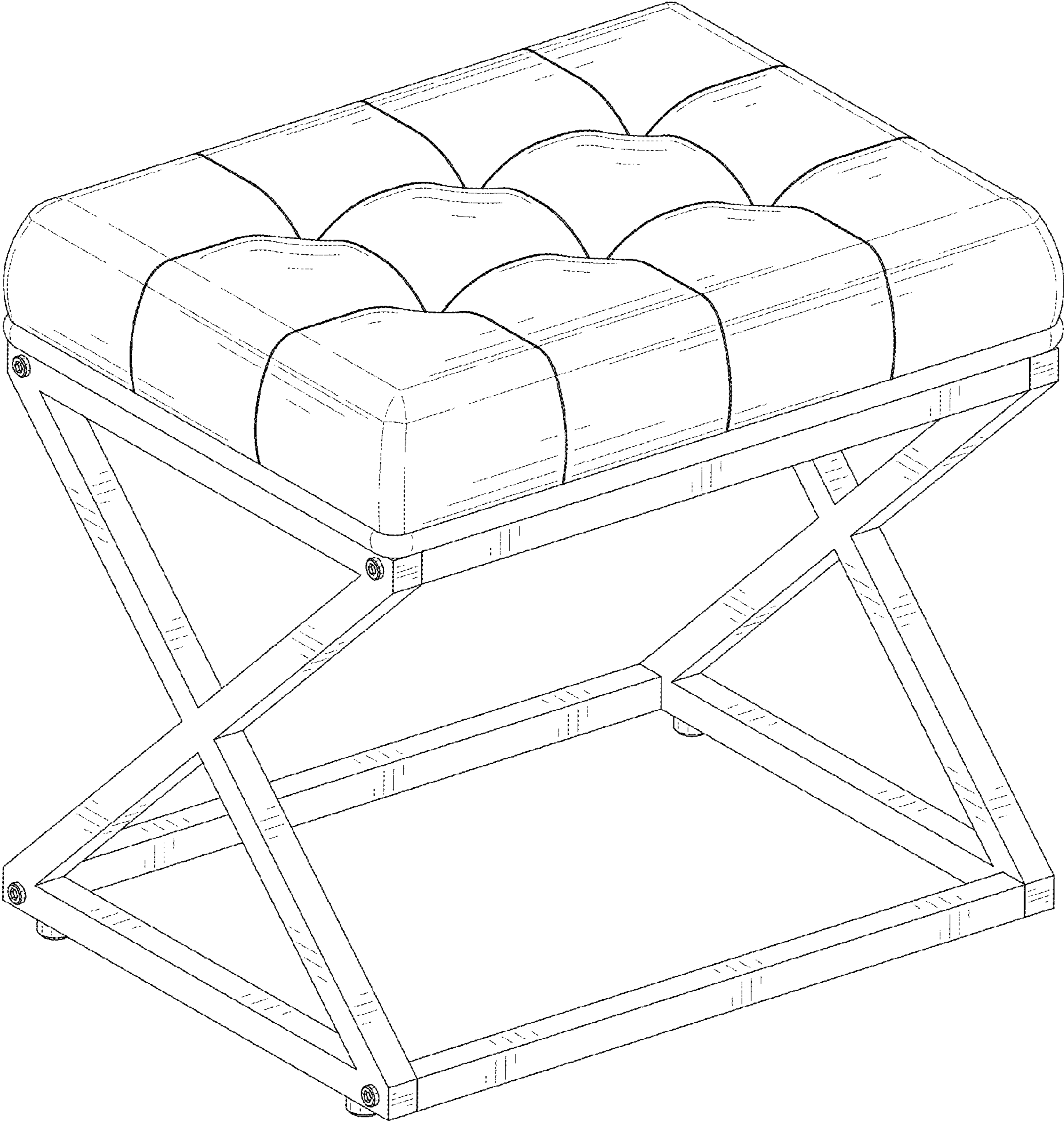


FIG. 1

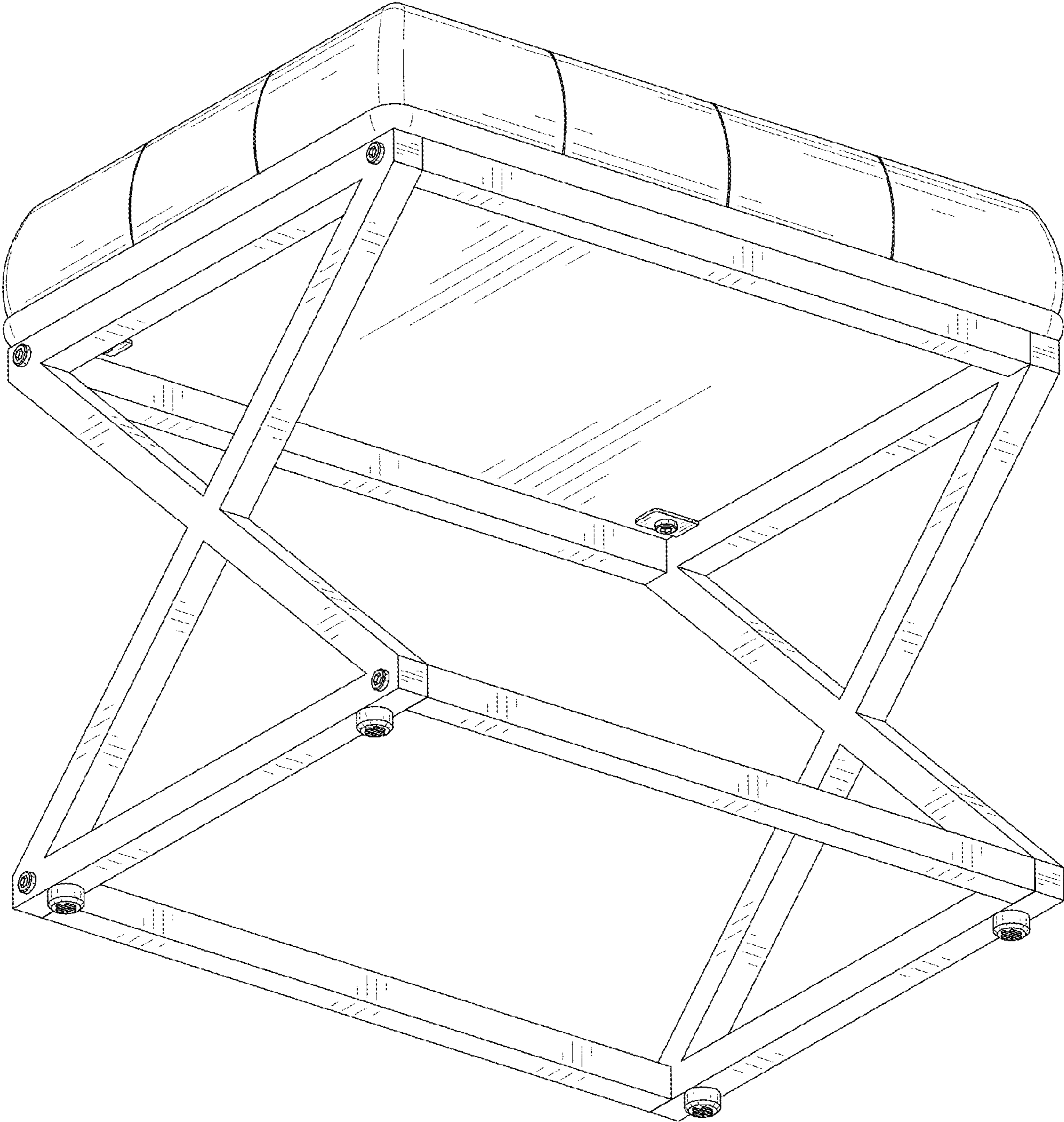


FIG. 2

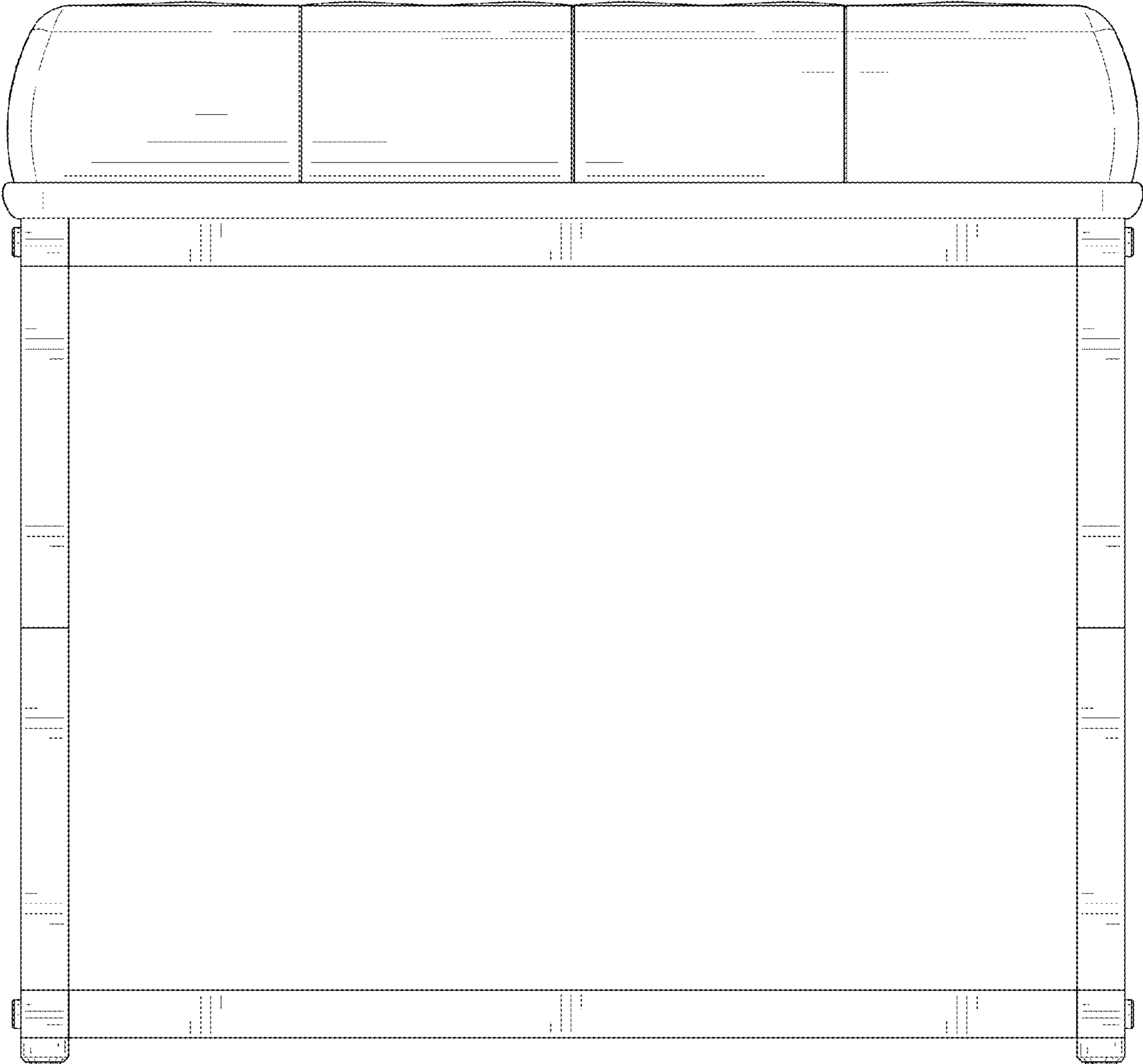


FIG. 3

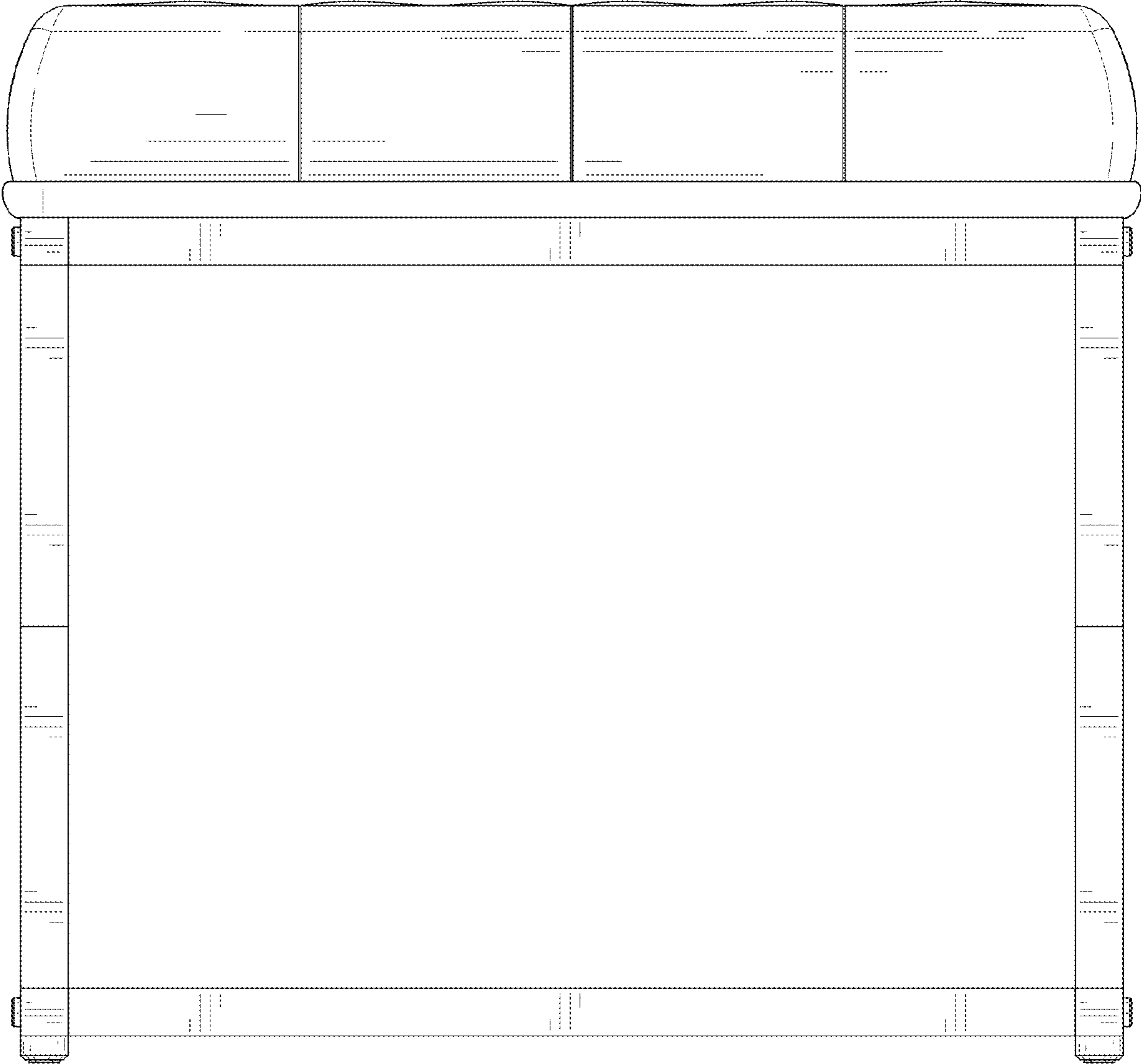


FIG. 4

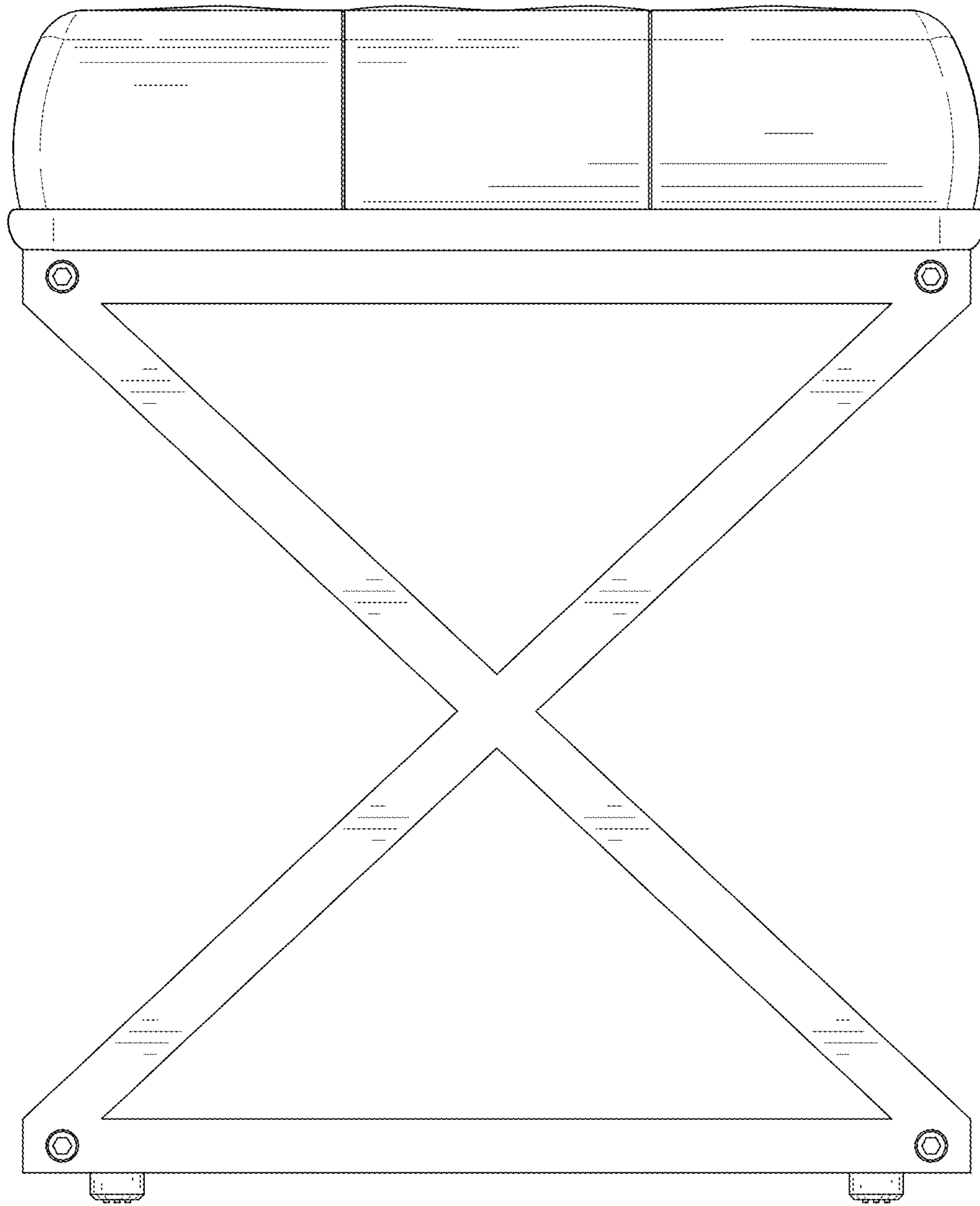


FIG. 5

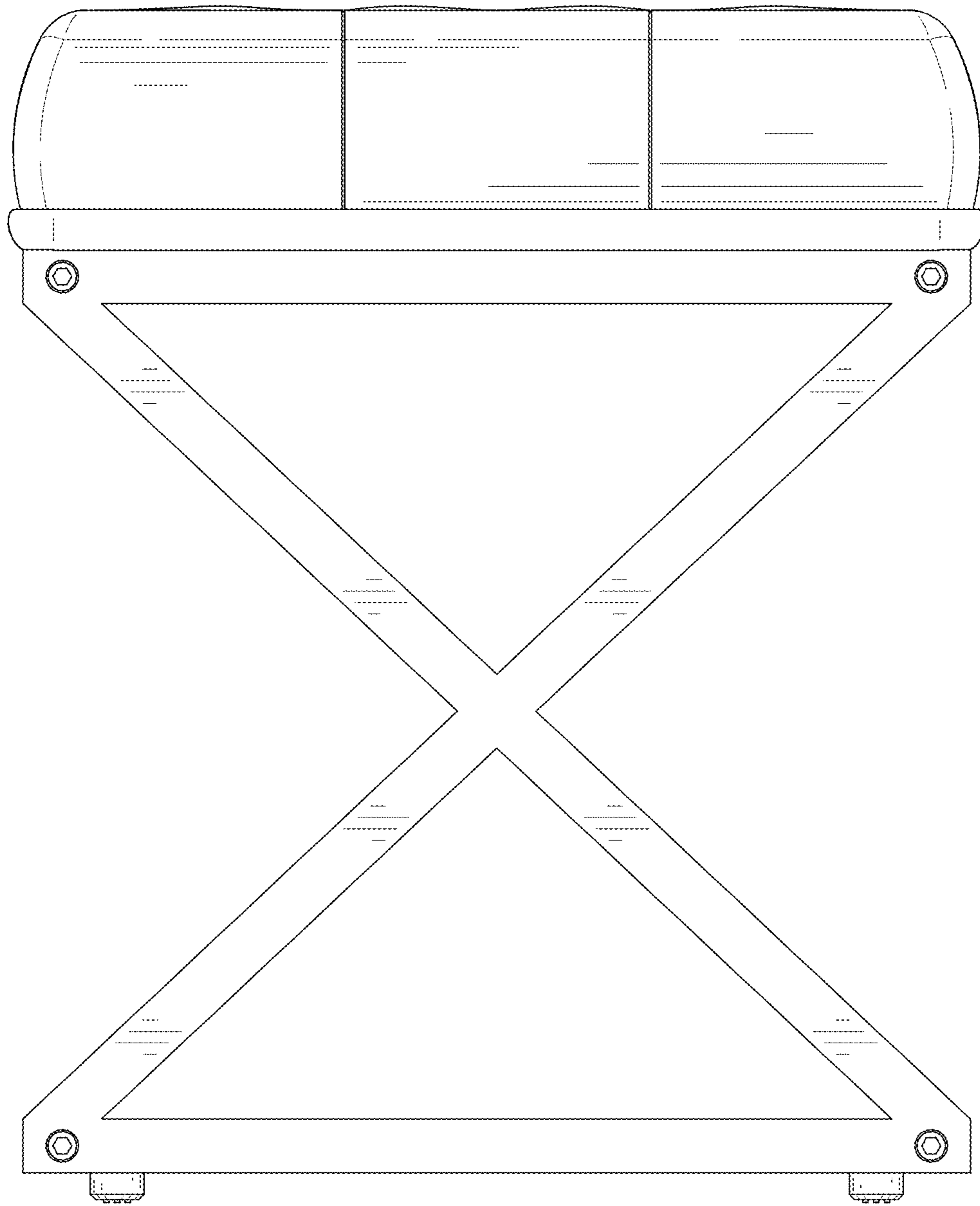


FIG. 6



FIG. 7



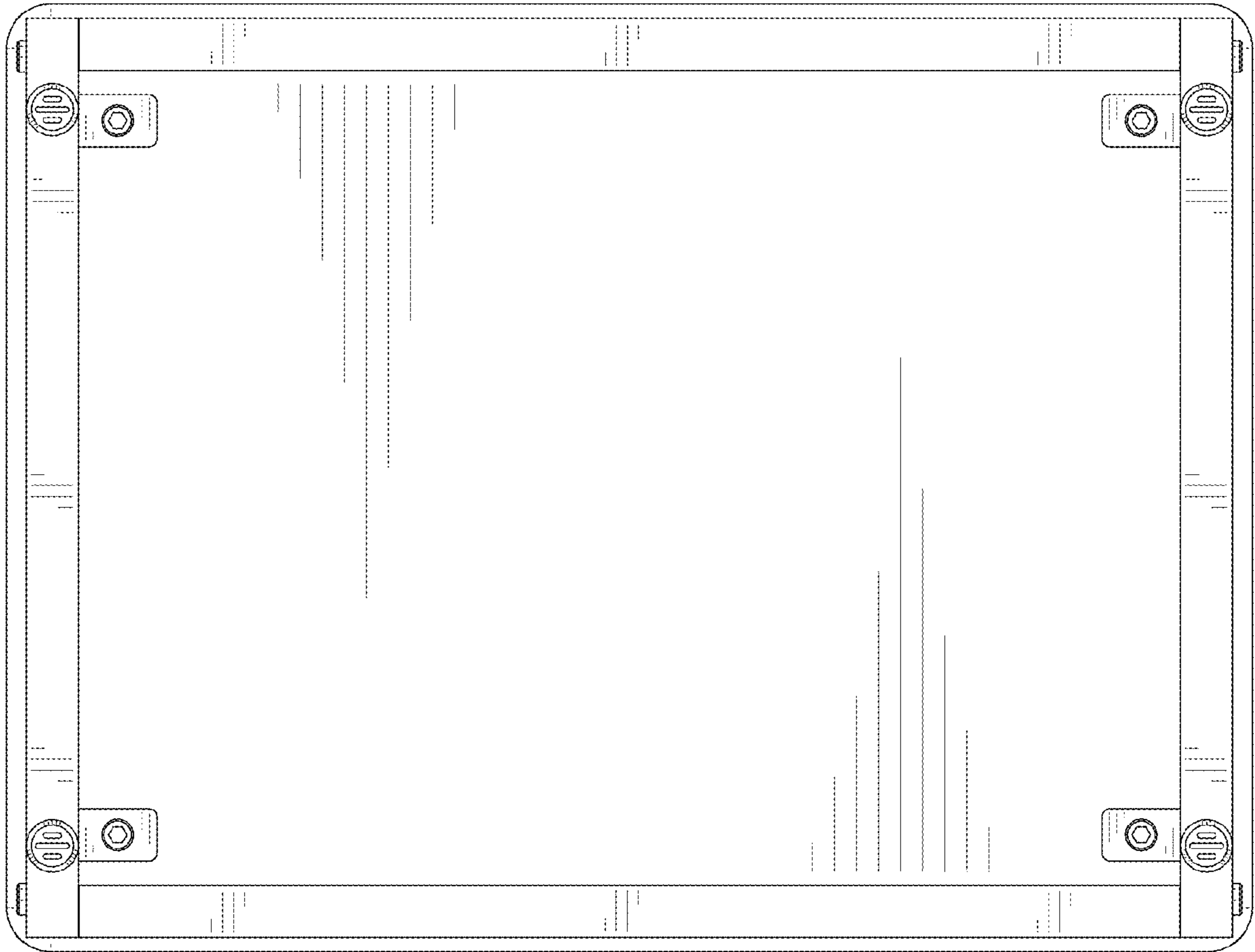


FIG. 8