



US00D986656S

(12) **United States Design Patent**
Weng

(10) **Patent No.:** **US D986,656 S**
(45) **Date of Patent:** **** May 23, 2023**

- (54) **DOUBLE LEAF FOLDING TABLE**
- (71) Applicant: **Xiamen Luguilin Electronic Commerce Co., Ltd., Xiamen (CN)**
- (72) Inventor: **Changhai Weng, Xiamen (CN)**
- (**) Term: **15 Years**
- (21) Appl. No.: **29/816,039**
- (22) Filed: **Nov. 18, 2021**
- (51) **LOC (14) Cl.** **06-03**
- (52) **U.S. Cl.**
USPC **D6/686**
- (58) **Field of Classification Search**
USPC D6/686, 688, 691, 691.1, 691.6
CPC A47B 3/087; A47B 3/0912; A47B 3/083;
A47B 2003/145; A47B 3/00; A47B 5/04
See application file for complete search history.

7,140,305 B2 * 11/2006 Christians A47B 3/002
108/115
D757,470 S * 5/2016 Pedersen D6/686
D757,471 S 5/2016 Domingo
D781,628 S 3/2017 Lin
(Continued)

OTHER PUBLICATIONS

“Bare Decor Emery Double Leaf Butterfly Folding Dining Table.”
Found online Jan. 13, 2023 at www.amazon.com. Product first
available Dec. 27, 2019. Retrieved from URL: <https://www.amazon.com/Bare-Decor-Double-Butterfly-Folding/dp/B083774RDF> (Year:
2019).*

(Continued)

Primary Examiner — Mary Ann Calabrese
Assistant Examiner — Katelin G Kloberg
(74) *Attorney, Agent, or Firm* — Xiaofang Zhong

(57) **CLAIM**

The ornamental design for a double leaf folding table, as
shown and described.

DESCRIPTION

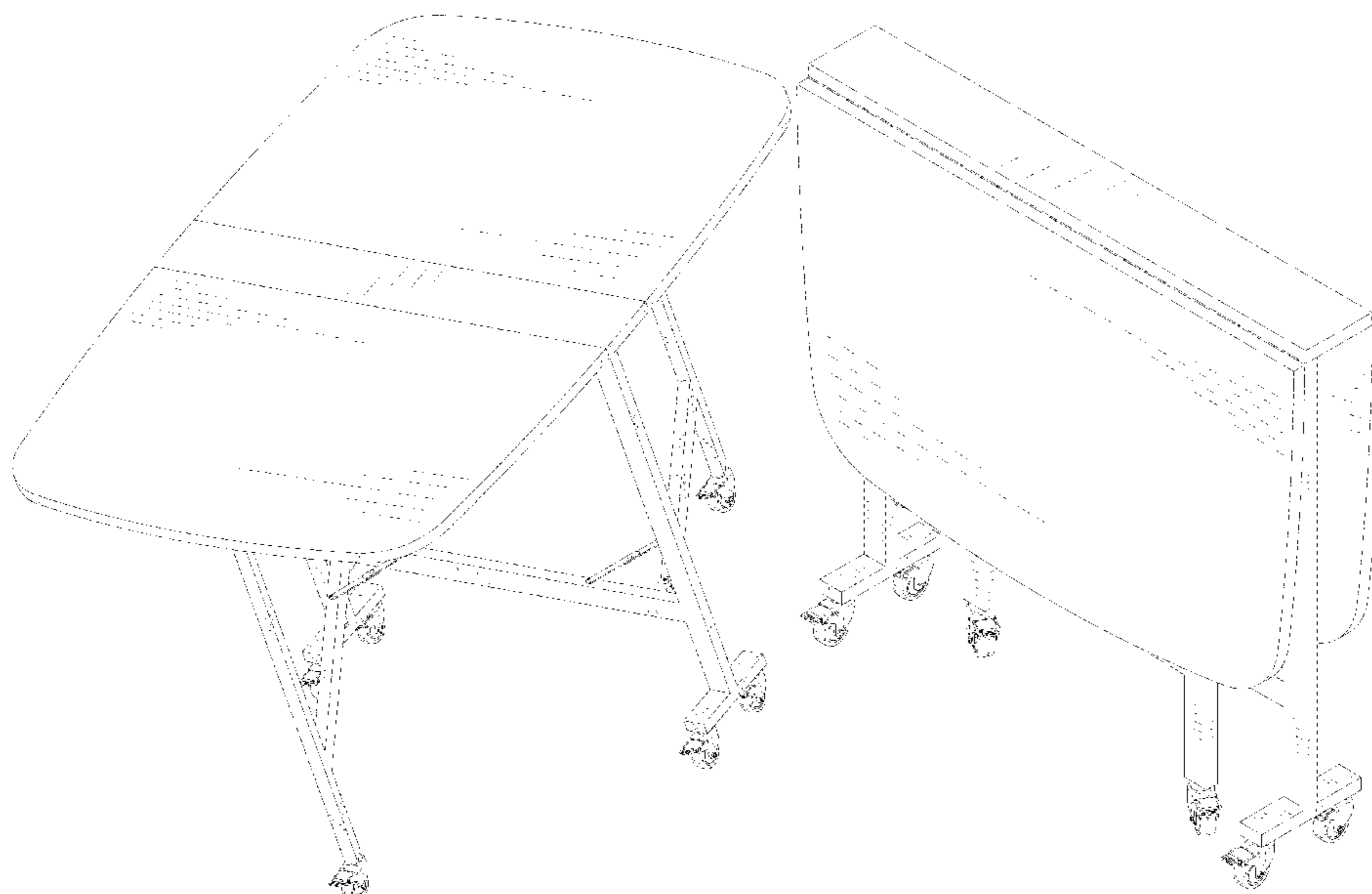
FIG. 1 is a top perspective view of a double leaf folding
table, showing my new design in an open configuration;
FIG. 2 is bottom perspective view thereof;
FIG. 3 is a top perspective view, shown in a folded con-
figuration;
FIG. 4 is a top perspective view, shown in a half-folded
configuration;
FIG. 5 is a front elevational view of the article as shown in
FIG. 1;
FIG. 6 is a rear elevational view thereof;
FIG. 7 is a right side view thereof;
FIG. 8 is a left side view thereof;
FIG. 9 is a top plan view thereof;
FIG. 10 is a bottom plan view thereof; and,
FIG. 11 is an enlarged view of detail 11 of FIG. 2.

(56) **References Cited**

U.S. PATENT DOCUMENTS

- D62,935 S * 8/1923 Bockstege D6/688.11
- D103,303 S * 2/1937 Brandt D6/686
- D106,685 S * 10/1937 Gaeke D6/686
- D150,662 S * 8/1948 Thornquist D6/686
- D151,000 S * 9/1948 Millspaugh D6/688
- D151,162 S * 9/1948 Metz D6/686
- D153,738 S * 5/1949 Wallance D6/686
- D153,739 S * 5/1949 Wallance D6/686
- D174,387 S * 4/1955 Johnson D6/686
- D178,094 S * 6/1956 Koert D6/686
- D182,910 S * 5/1958 Lubberts D6/686
- D269,753 S * 7/1983 Offredi D6/686
- D361,676 S 8/1995 Westerburgen
- D437,145 S 2/2001 Leng
- D448,211 S * 9/2001 Schulte D6/686
- D462,196 S 9/2002 Holub et al.
- D469,623 S 2/2003 Norbut, Jr.
- D479,406 S 9/2003 Pajerski et al.
- D502,335 S * 3/2005 O’Hare D6/686

1 Claim, 11 Drawing Sheets



(56)

References Cited

U.S. PATENT DOCUMENTS

D844,353	S	4/2019	Horowitz	
D884,399	S	5/2020	Tan	
D909,786	S	2/2021	Wavomba	
11,547,205	B2 *	1/2023	Maynes A47B 13/081
2003/0019404	A1 *	1/2003	Liu A47B 37/04 108/77

OTHER PUBLICATIONS

“Catskill Craftsmen Fold-A-Way Butcher Block Table.” Found online Jan. 13, 2023 at [www.amazon.com](https://www.amazon.com/Catskill-Craftsmen-Fold-Butcher-Block/dp/B002PY7PDE). Product first available May 5, 2003. Retrieved from URL: <https://www.amazon.com/Catskill-Craftsmen-Fold-Butcher-Block/dp/B002PY7PDE> (Year: 2003).*

“Greenington Linden bamboo Gateleg Table.” Found online Jan. 13, 2023 at [www.amazon.ca](https://www.amazon.ca/Greenington-GTL001CA-Linden-Gateleg-Caramelized/dp/B0754SNZ65). Product first available Jun. 29, 2019. Retrieved from URL: <https://www.amazon.ca/Greenington-GTL001CA-Linden-Gateleg-Caramelized/dp/B0754SNZ65> (Year: 2019).*

“Conant Ball Double Dropleaf Table.” Found online Jan. 13, 2023 at [www.a2zmodern.com](https://a2zmodern.com/products/furniture-44). Product produced in the 1950s. Retrieved from URL: <https://a2zmodern.com/products/furniture-44> (Year: 1959).*

* cited by examiner



FIG. 1

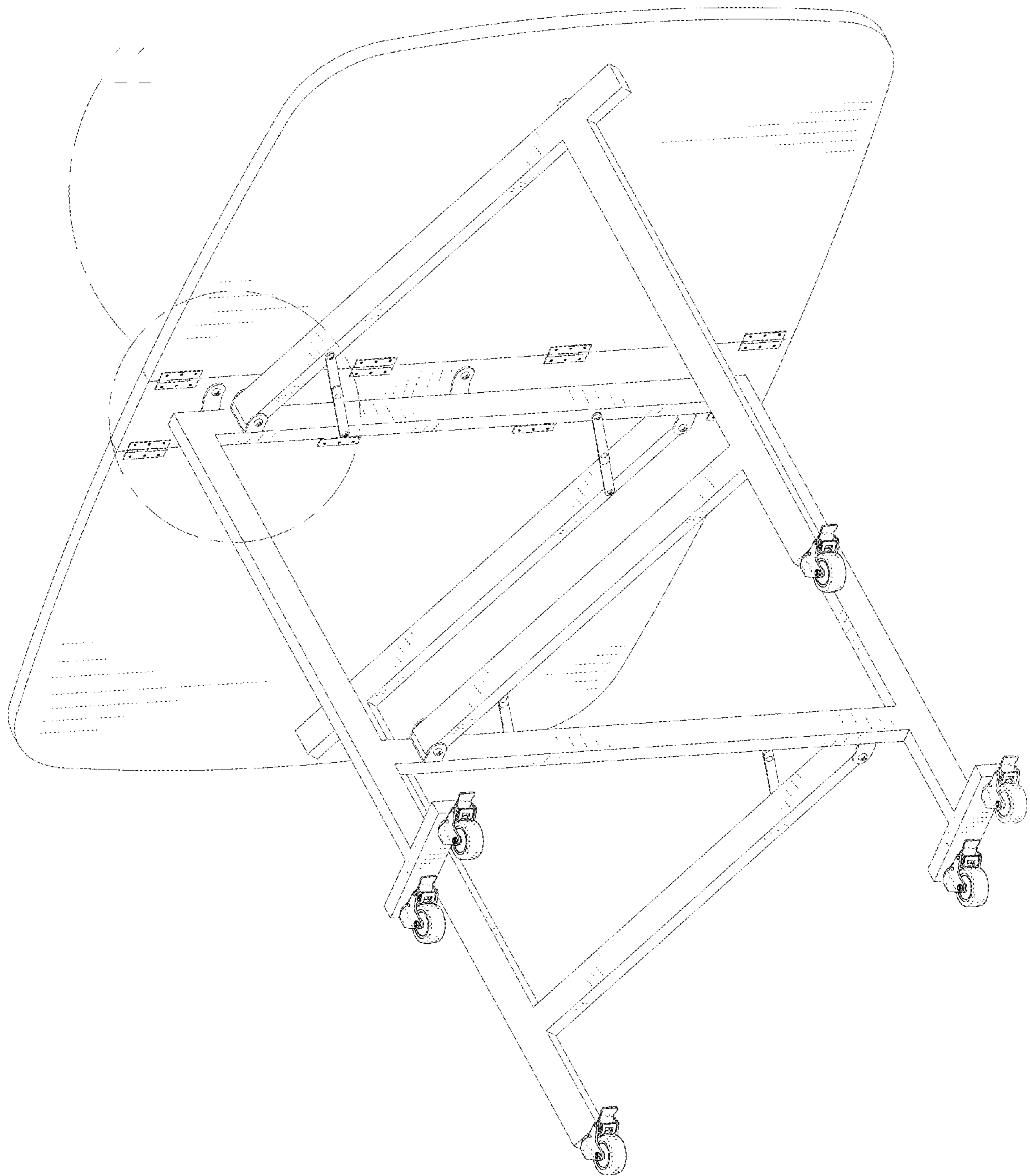


FIG.2

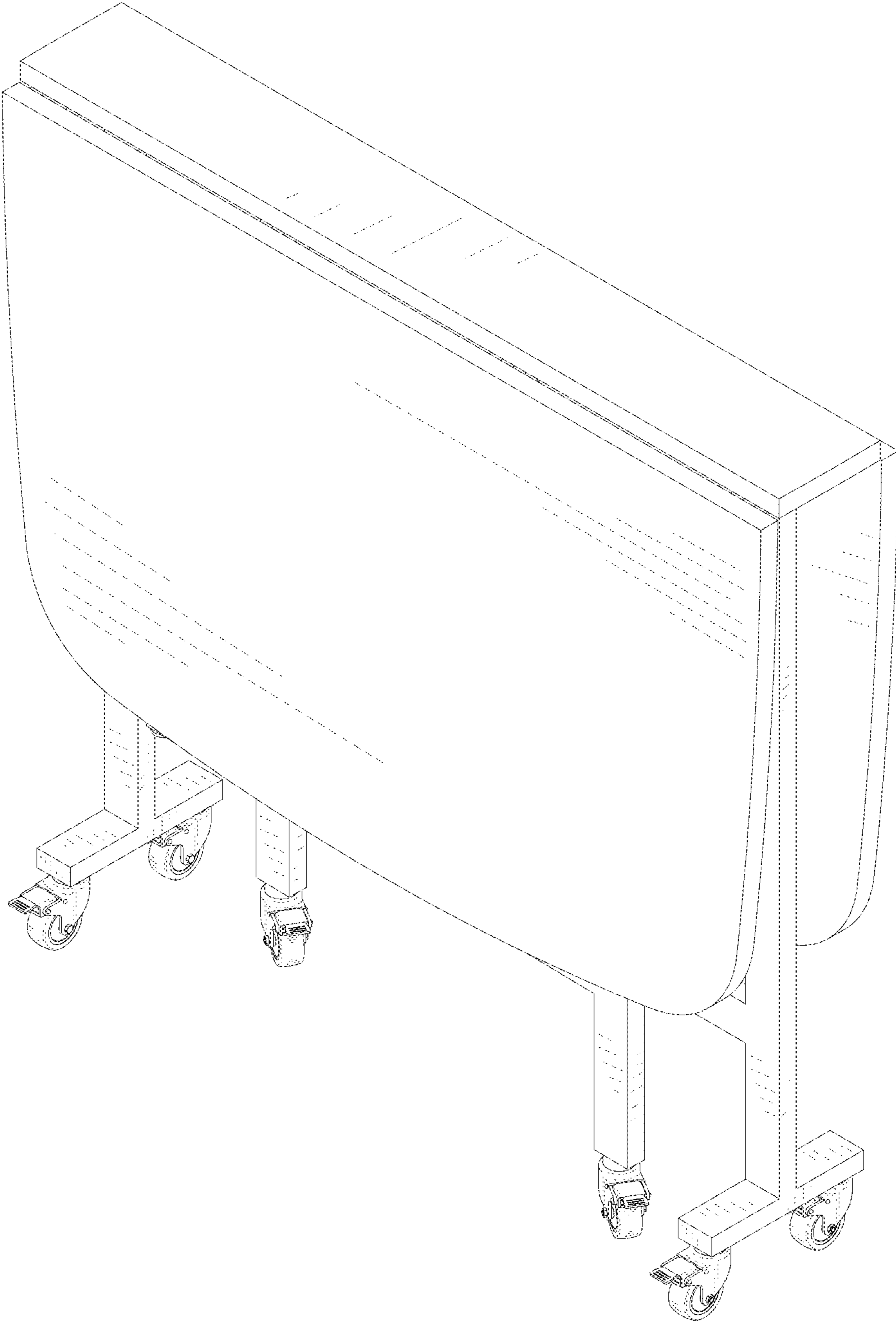


FIG. 3

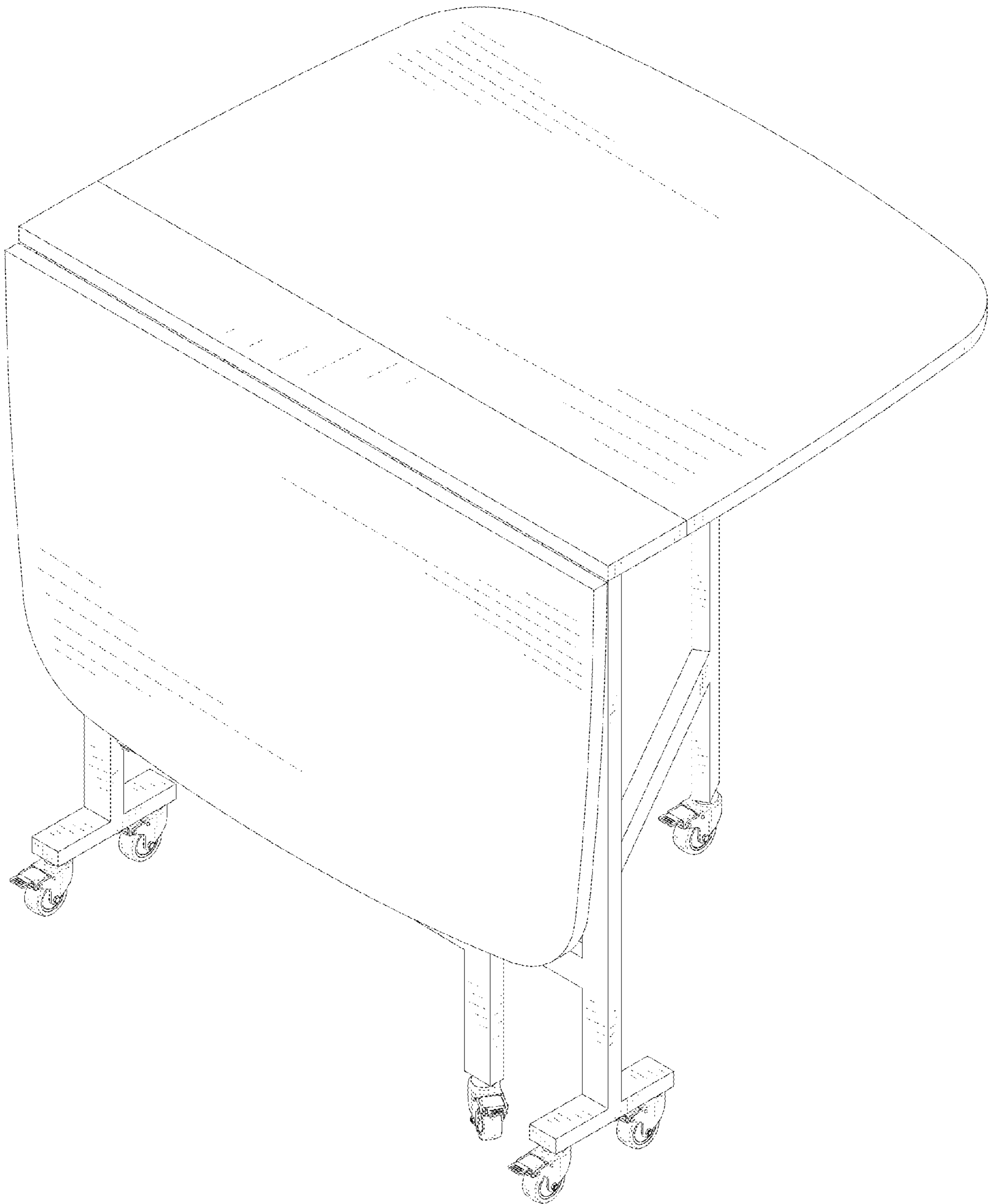


FIG. 4

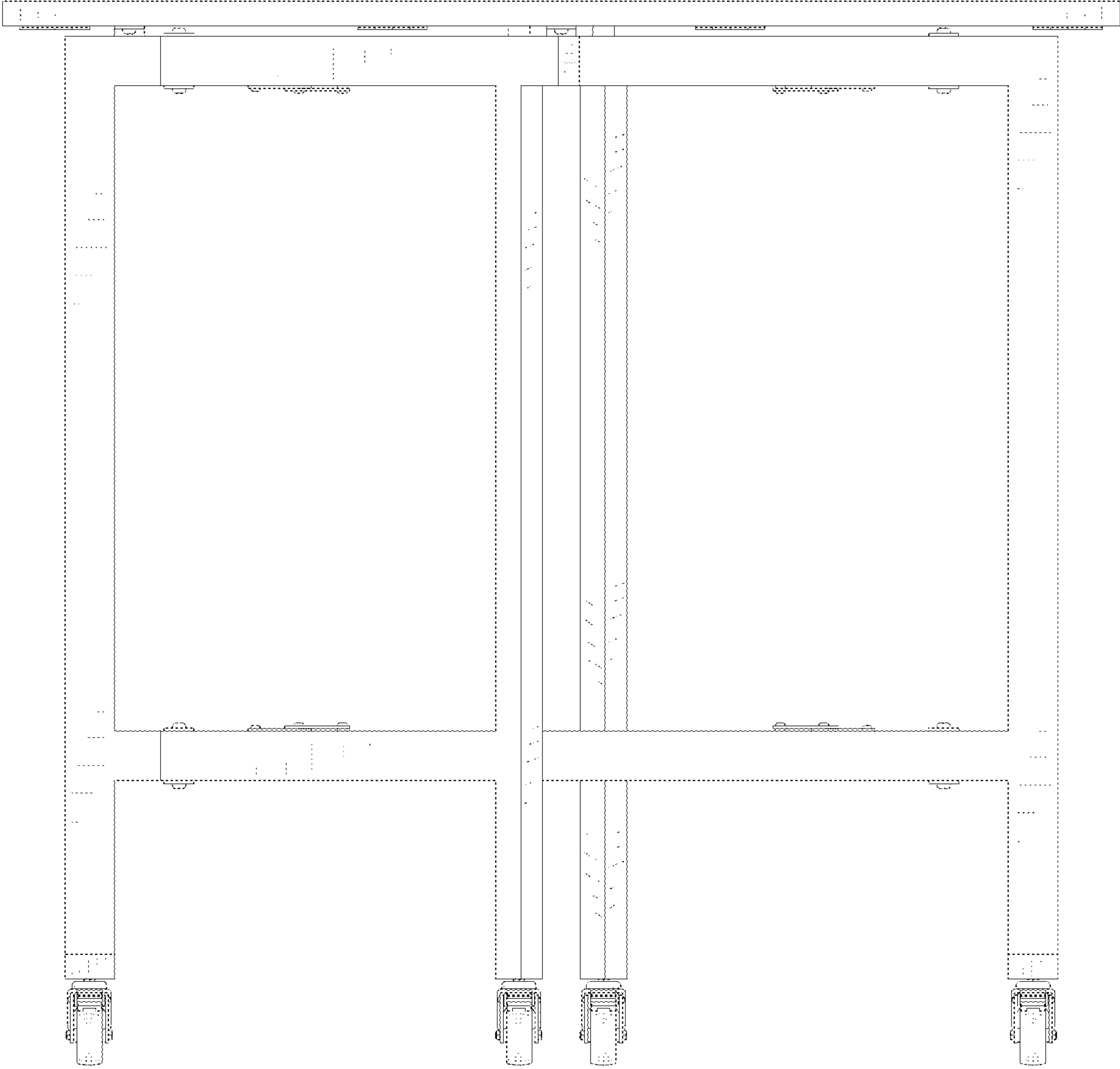


FIG. 5

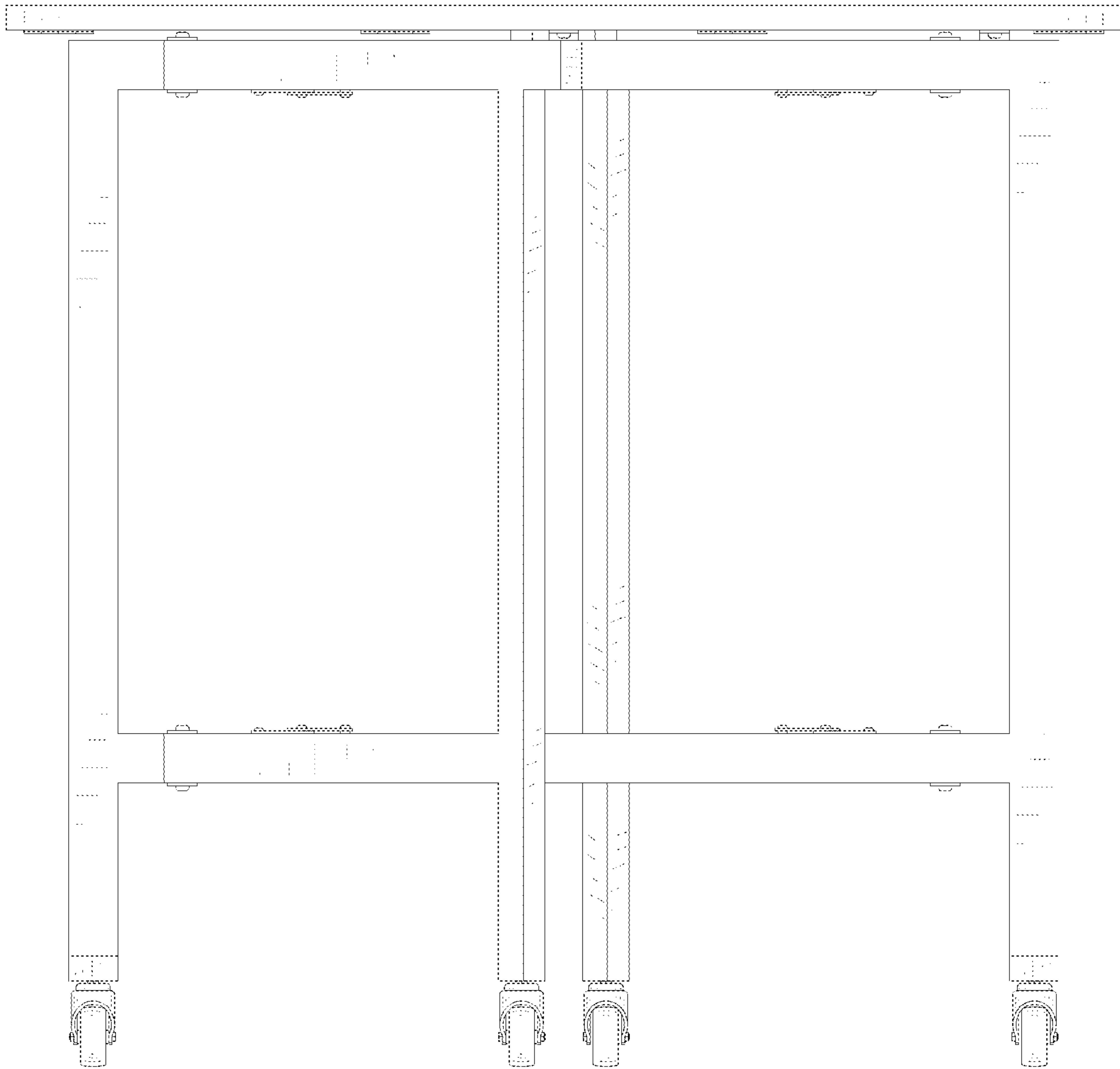


FIG. 6

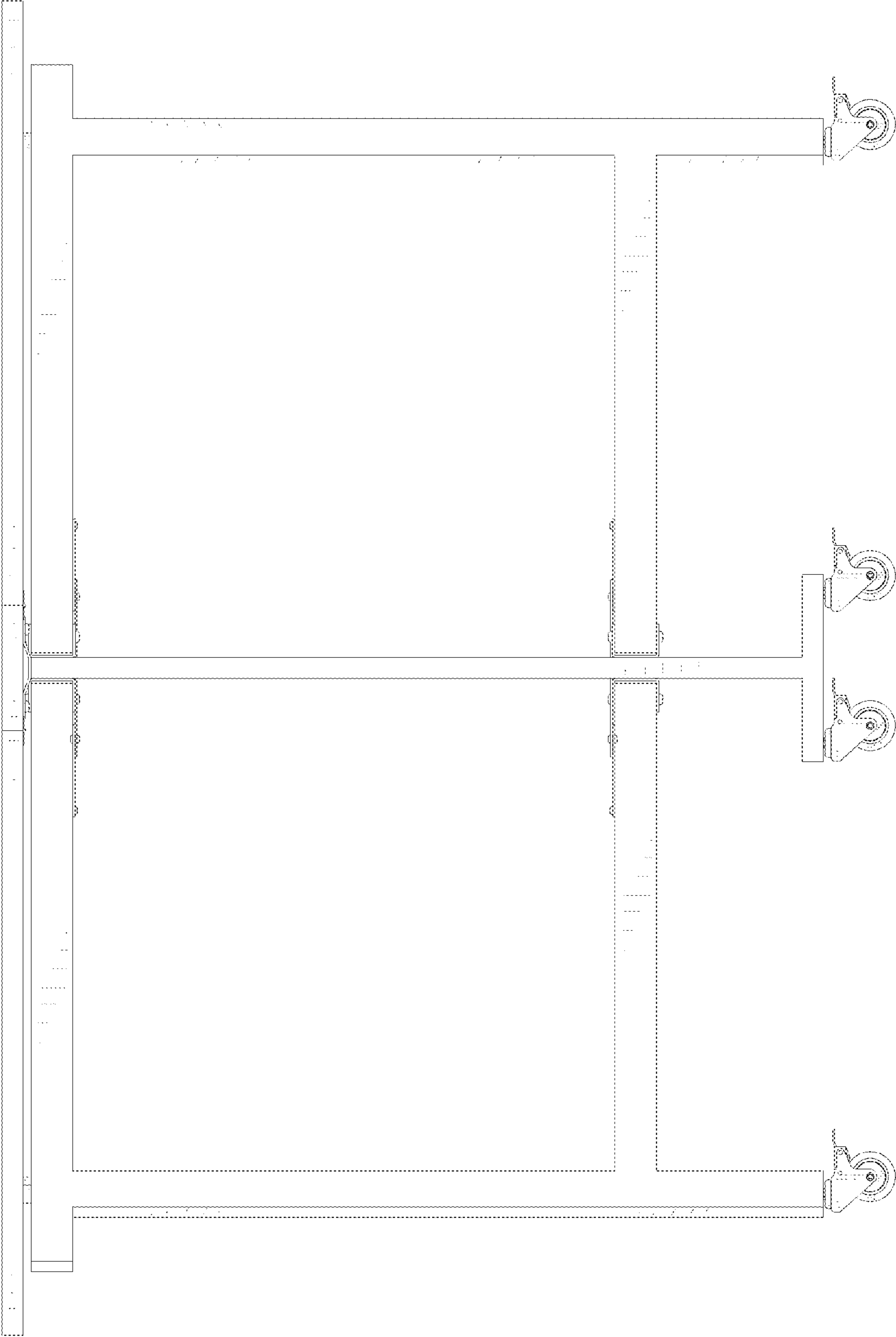


FIG 7

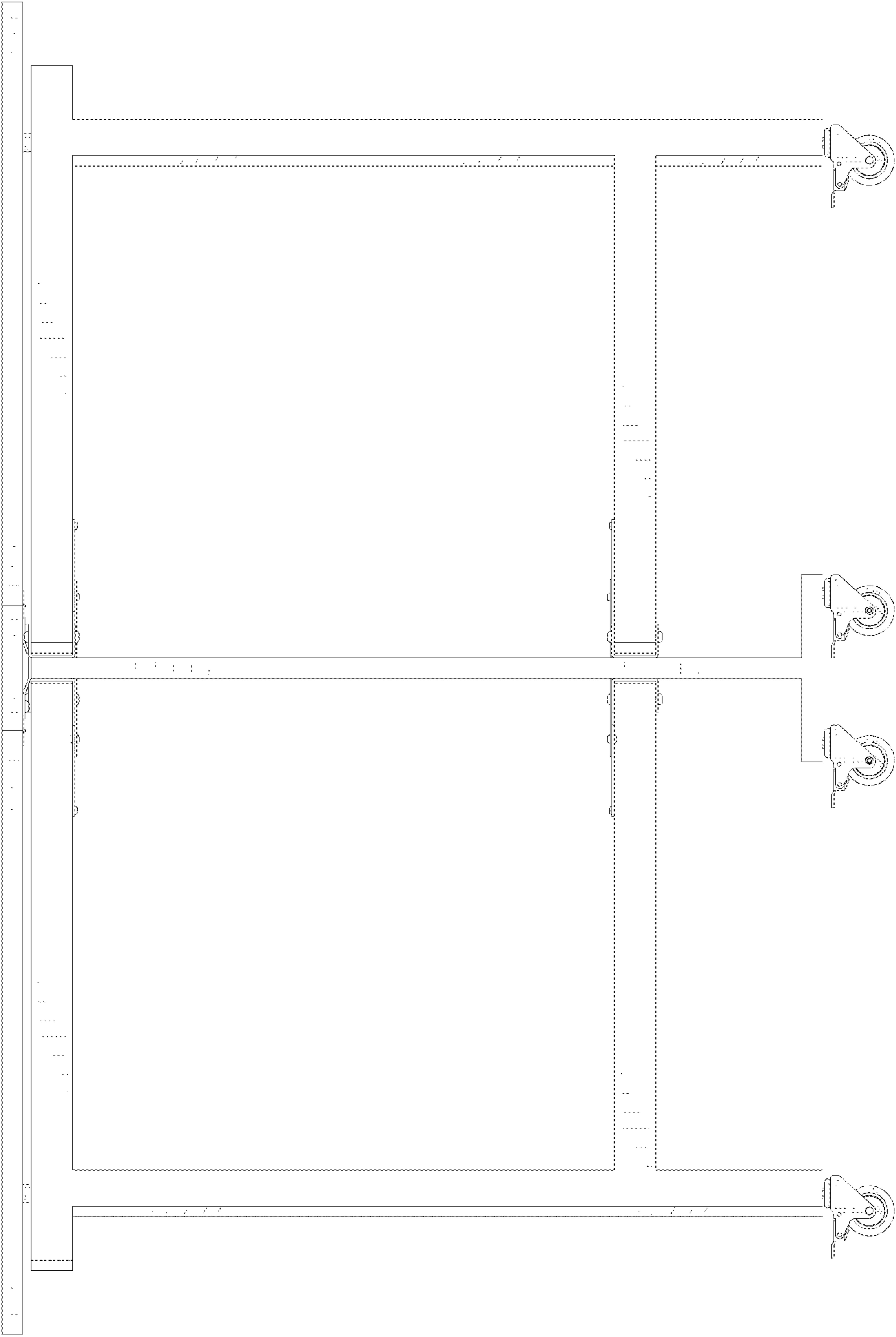


FIG. 8

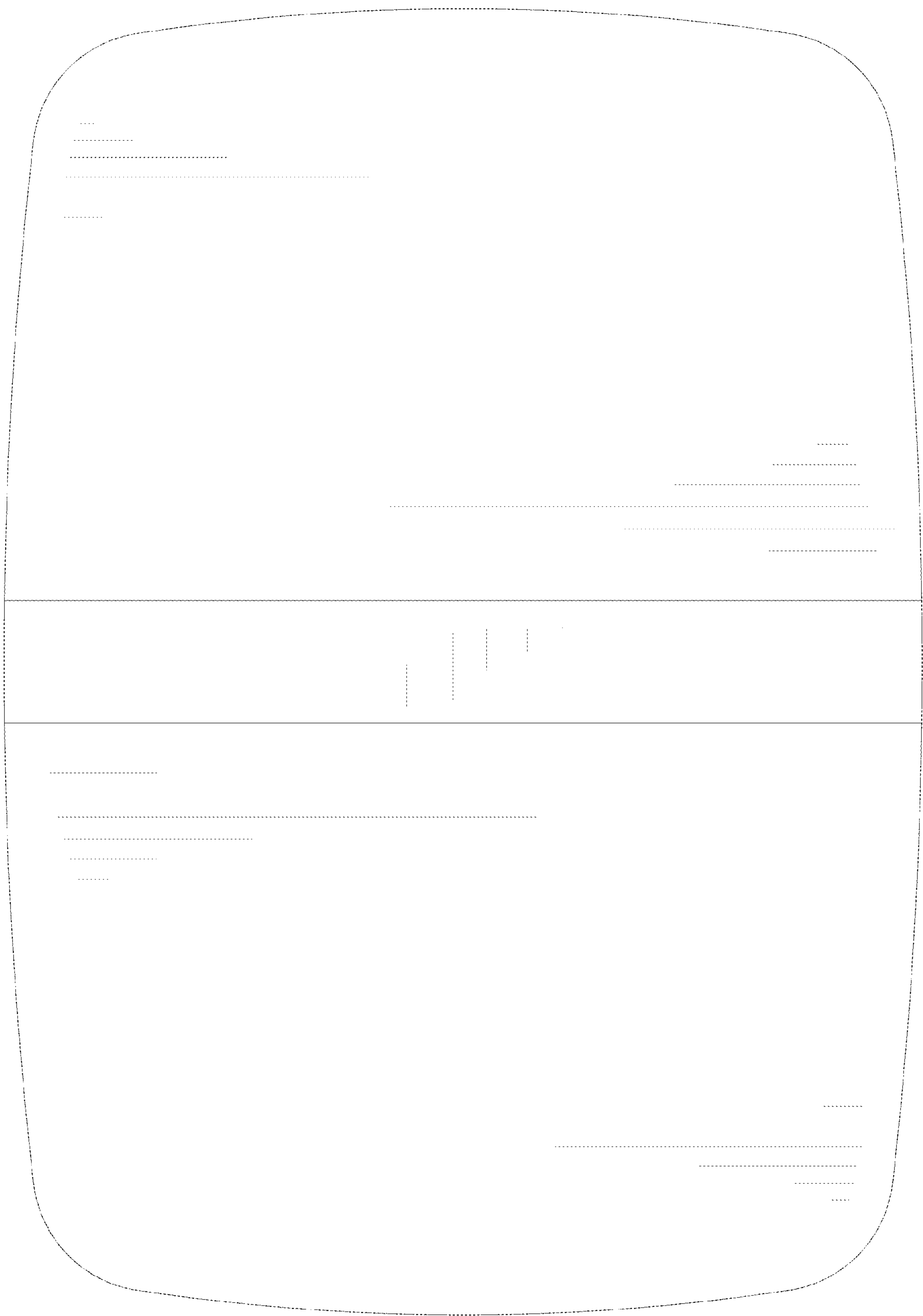


FIG. 9

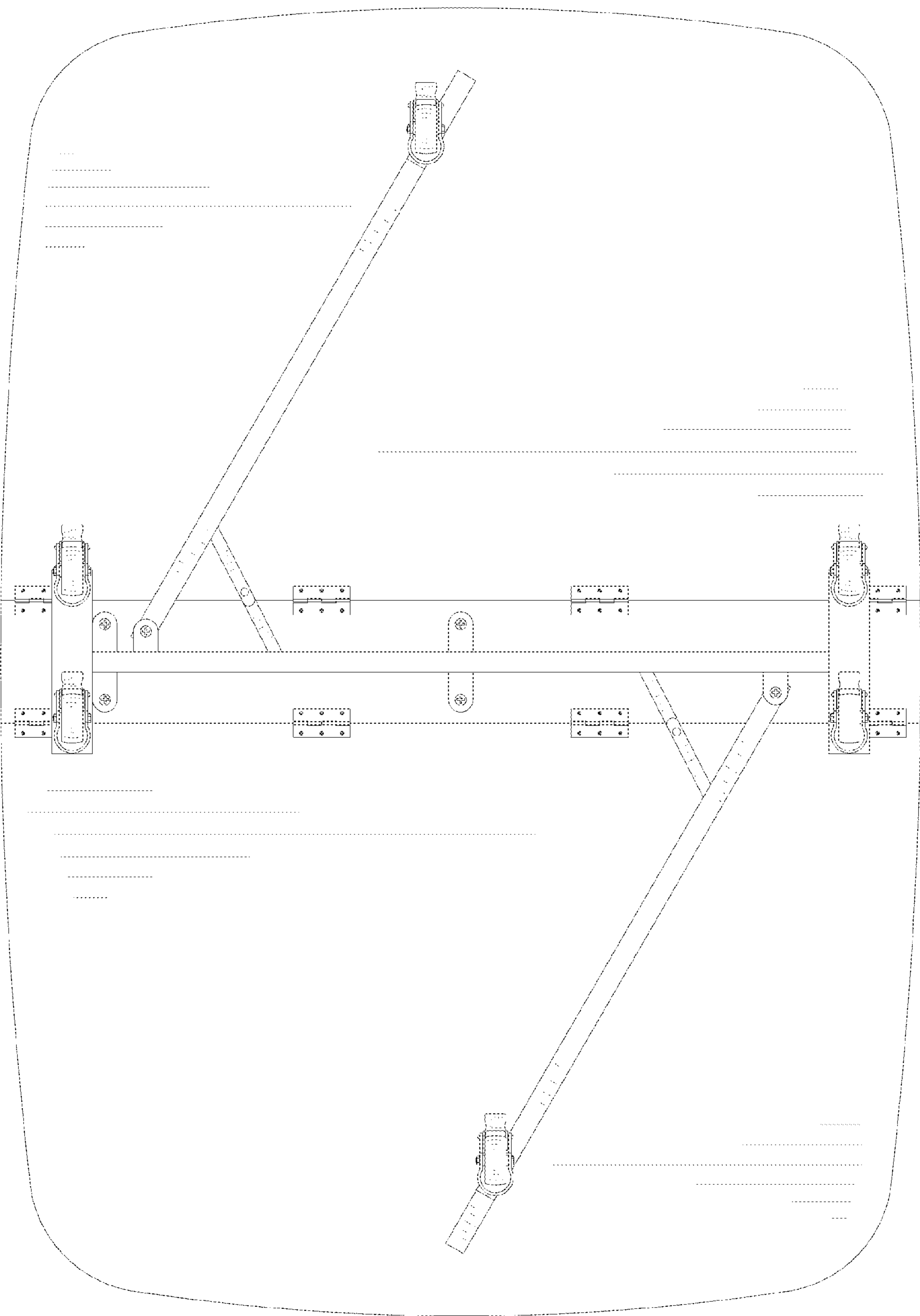


FIG. 10

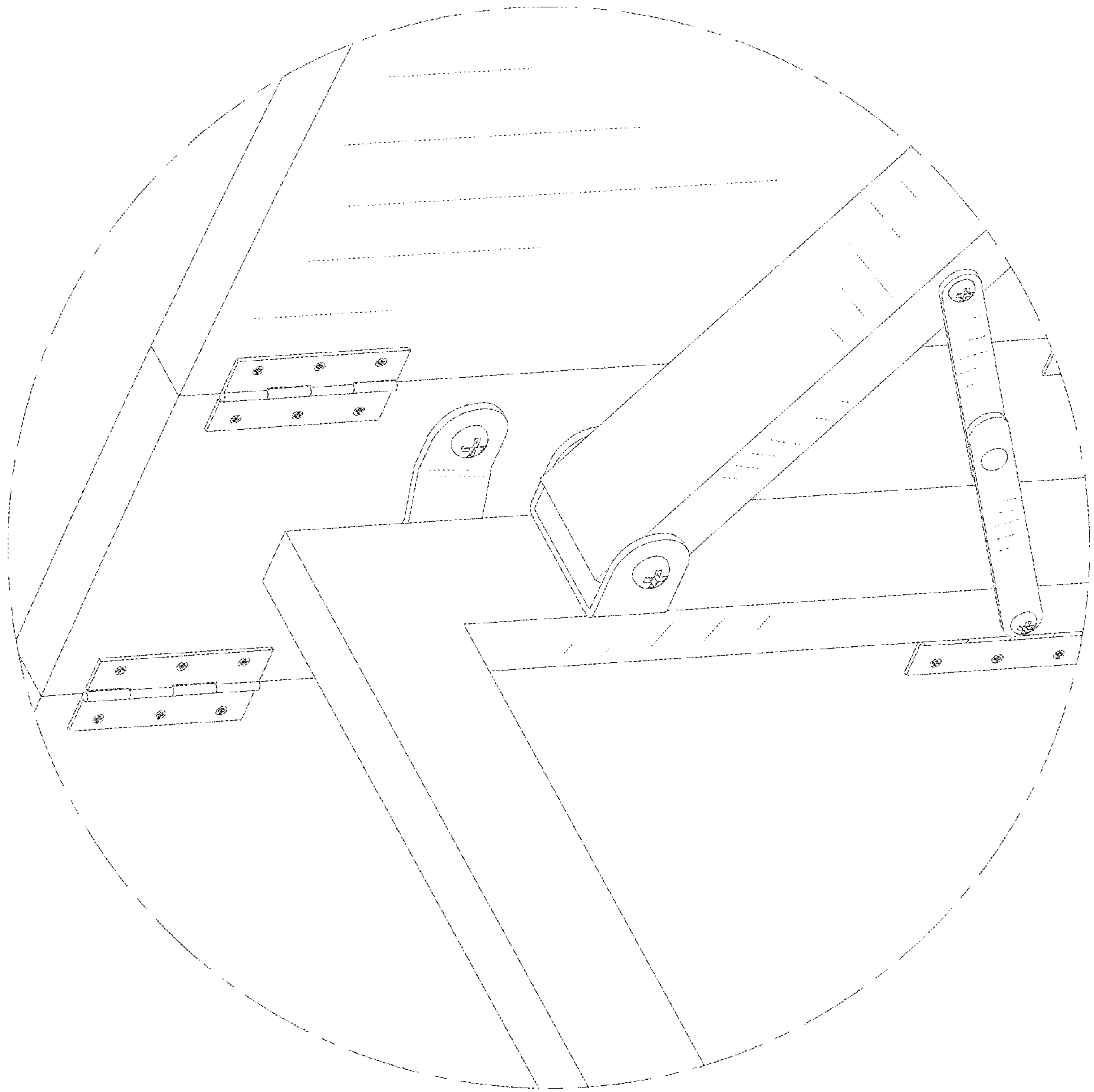


FIG. 11