



US00D986655S

(12) **United States Design Patent**  
**Liang**

(10) **Patent No.:** **US D986,655 S**

(45) **Date of Patent:** **\*\* May 23, 2023**

(54) **SHELF**  
(71) Applicant: **Xiaolin Liang**, Hunan (CN)  
(72) Inventor: **Xiaolin Liang**, Hunan (CN)  
(\*\*) Term: **15 Years**

D699,975 S \* 2/2014 Snider ..... D6/525  
D720,538 S \* 1/2015 Goodman ..... D3/304  
D774,411 S \* 12/2016 Peterson ..... D11/143  
D783,311 S \* 4/2017 Williamson ..... D6/574  
10,034,587 B1 \* 7/2018 Elliot ..... A47K 3/281  
D907,397 S \* 1/2021 Huang ..... D6/525  
D926,491 S \* 8/2021 Peng ..... D6/562  
11,388,997 B1 \* 7/2022 Ghiorghie ..... A47G 1/1653  
2022/0160123 A1 \* 5/2022 Scanlon ..... A47K 3/281

(21) Appl. No.: **29/805,662**

(22) Filed: **Aug. 27, 2021**

(51) **LOC (14) Cl.** ..... **06-04**

(52) **U.S. Cl.**  
USPC ..... **D6/678.4**

(58) **Field of Classification Search**  
USPC ..... D6/511, 513, 514, 524, 525, 536, 540,  
D6/566, 570, 562, 574, 672, 675.2, 675.3,  
D6/675.4, 678.4, 680.2, 680.3; D7/600.1,  
D7/600.4; D19/92  
CPC ..... A47L 5/02; A47K 3/281; A47B 47/0058;  
A47B 47/021; A47B 55/02; A47F 5/0056  
See application file for complete search history.

**FOREIGN PATENT DOCUMENTS**

GB 6115349 \* 1/2021  
JP D1479708 \* 9/2013

**OTHER PUBLICATIONS**

Steugo, "Shower Caddy Corner", first available Sep. 28, 2020  
[https://www.amazon.ca/STEUGO-Adhesive-Bathroom-Stainless-Organizer/dp/B08K8LLFQ6/ref=sr\\_1\\_7?crd=3R8VUF3JHLM12&keywords=corner%2Bcaddy%2Bshelf&qid=1673019300&s=kitchen&sprefix=corner%2Bcaddie%2Bshelf%2Ckitchen%2C72&sr=1-7&th=1](https://www.amazon.ca/STEUGO-Adhesive-Bathroom-Stainless-Organizer/dp/B08K8LLFQ6/ref=sr_1_7?crd=3R8VUF3JHLM12&keywords=corner%2Bcaddy%2Bshelf&qid=1673019300&s=kitchen&sprefix=corner%2Bcaddie%2Bshelf%2Ckitchen%2C72&sr=1-7&th=1) (Year: 2020).\*

(Continued)

(56) **References Cited**

**U.S. PATENT DOCUMENTS**

5,289,927 A \* 3/1994 Emery ..... A47K 5/02  
248/206.3  
5,348,168 A \* 9/1994 Emery ..... A47K 3/281  
248/206.3  
D397,570 S \* 9/1998 Hoernig ..... D6/553  
D402,145 S \* 12/1998 Hofman ..... D6/525  
D407,934 S \* 4/1999 Wojtowicz ..... D6/525  
D453,268 S \* 2/2002 Snell ..... D3/304  
6,431,386 B1 \* 8/2002 Hofman ..... A47K 3/281  
220/840  
D472,749 S \* 4/2003 Walker ..... D6/525  
D512,866 S \* 12/2005 Hoernig ..... D6/574  
D513,570 S \* 1/2006 Hoernig ..... D6/574  
D514,362 S \* 2/2006 Hoernig ..... D6/574  
D546,584 S \* 7/2007 Brin ..... D6/678.4  
D572,502 S \* 7/2008 Yang ..... D6/675.2  
D572,940 S \* 7/2008 Murray ..... D6/678.4  
D653,067 S \* 1/2012 Cittadino ..... D6/562

*Primary Examiner* — Bao-Yen T Nguyen  
*Assistant Examiner* — Jessica Ruth Grable

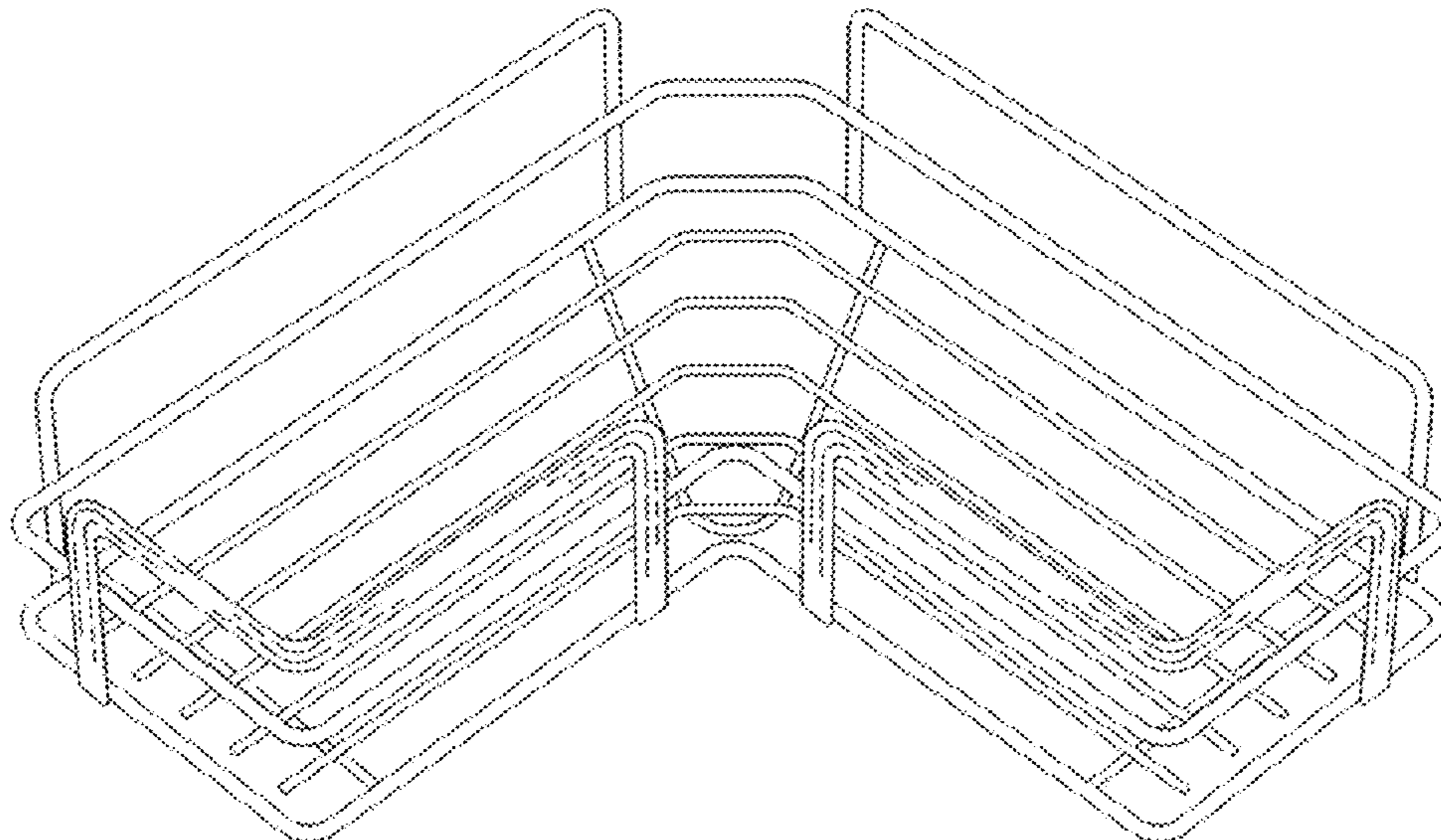
(57) **CLAIM**

The ornamental design for a shelf, as shown and described.

**DESCRIPTION**

FIG. 1 is a perspective view of a shelf showing my new design;  
FIG. 2 is a front view thereof;  
FIG. 3 is a back view thereof;  
FIG. 4 is a left side view thereof;  
FIG. 5 is a right side view thereof;  
FIG. 6 is a top view thereof; and,  
FIG. 7 is a bottom view thereof.

**1 Claim, 7 Drawing Sheets**



(56)

**References Cited**

OTHER PUBLICATIONS

Laigoo, "Adhesive Shower Caddy", first available Jan. 23, 2020 [https://www.amazon.ca/Laigoo-Adhesive-Bathroom-Non-Drilling-Organizer/dp/B07V2L4PP8/ref=sr\\_1\\_15?crid=3R8VUF3JHLM12&keywords=corner%2Bcaddy%2Bshelf&qid=1673020094&s=kitchen&sprefix=corner%2Bcaddie%2Bshelf%](https://www.amazon.ca/Laigoo-Adhesive-Bathroom-Non-Drilling-Organizer/dp/B07V2L4PP8/ref=sr_1_15?crid=3R8VUF3JHLM12&keywords=corner%2Bcaddy%2Bshelf&qid=1673020094&s=kitchen&sprefix=corner%2Bcaddie%2Bshelf%20) (Year: 2020).\*

Yazoni, "Corner Shelf Caddy", first available Oct. 20, 2021 [https://www.amazon.ca/dp/B09JVN4XC8?pd\\_rd\\_i=B09JVN4XC8&pf\\_rd\\_p=ae2d8b4b-ec66-4e9c-ad39-5a20c64dc8ca&pf\\_rd\\_r=VFSYVFB5RVTDA601359&pd\\_rd\\_wg=YVa0J&pd\\_rd\\_w=tLYOC&pd\\_rd\\_r=af37bce0-2aac-4e76-971d-2d625ca87347&th=1](https://www.amazon.ca/dp/B09JVN4XC8?pd_rd_i=B09JVN4XC8&pf_rd_p=ae2d8b4b-ec66-4e9c-ad39-5a20c64dc8ca&pf_rd_r=VFSYVFB5RVTDA601359&pd_rd_wg=YVa0J&pd_rd_w=tLYOC&pd_rd_r=af37bce0-2aac-4e76-971d-2d625ca87347&th=1) (Year: 2021).\*

\* cited by examiner

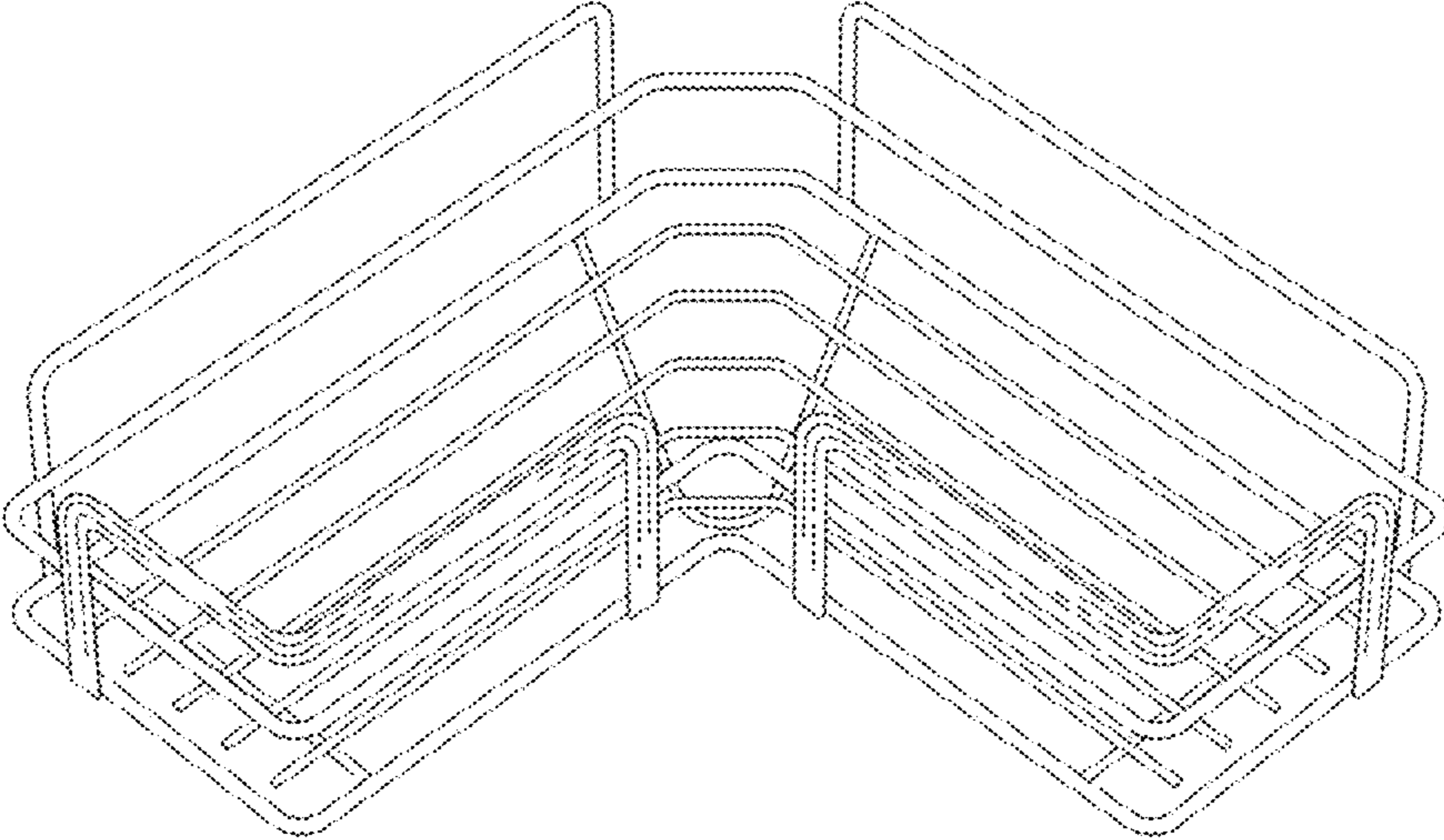


FIG 1

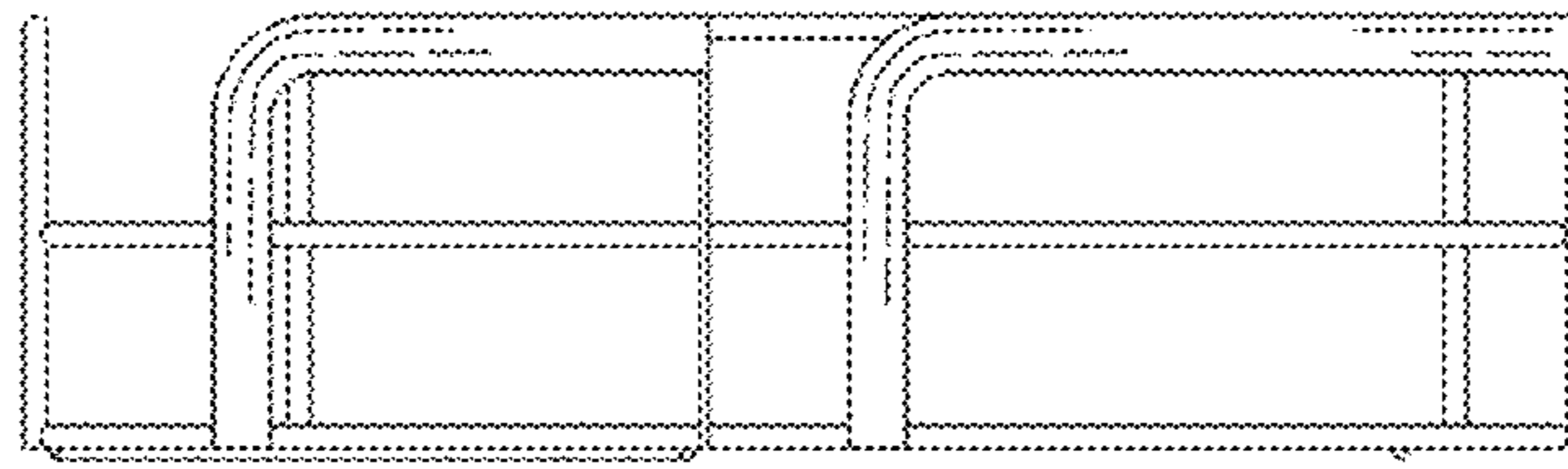


FIG 2

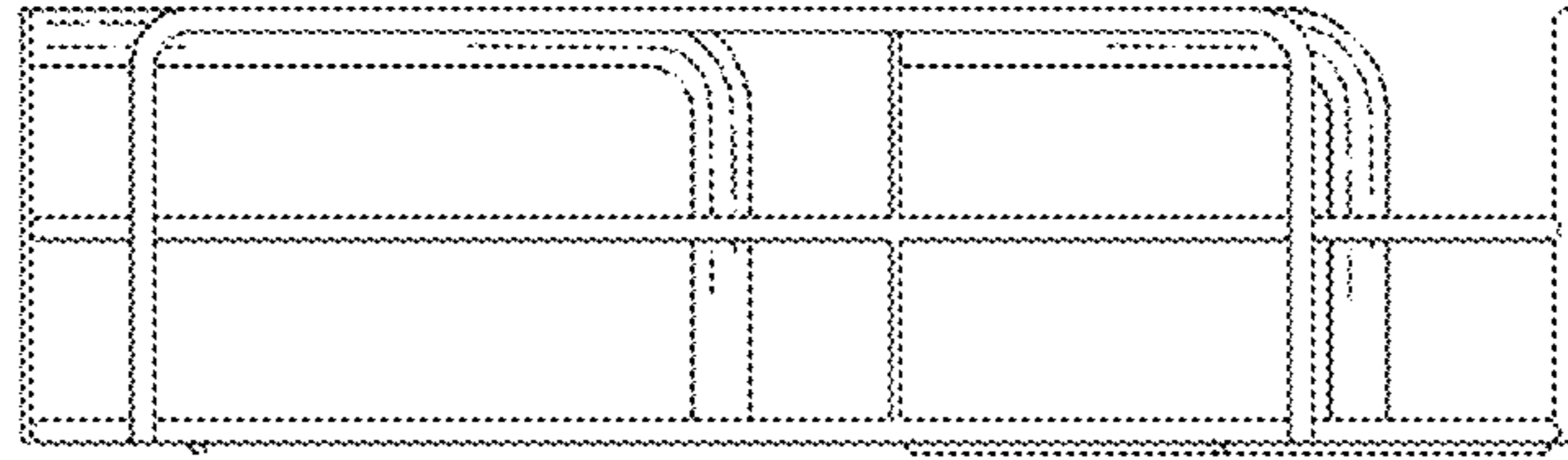


FIG 3

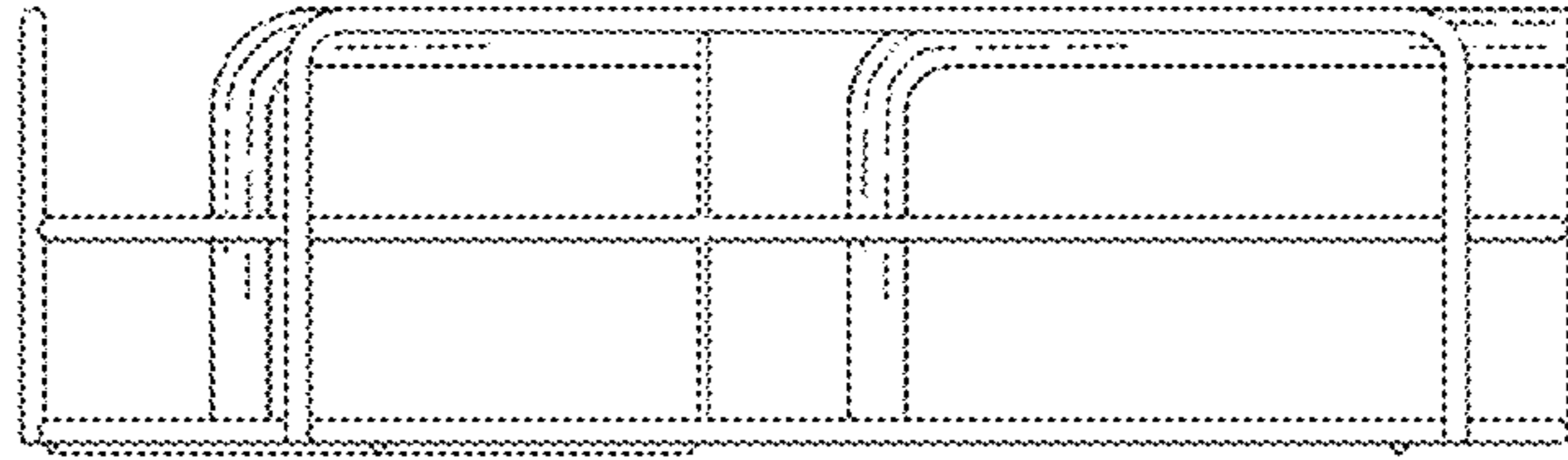


FIG 4

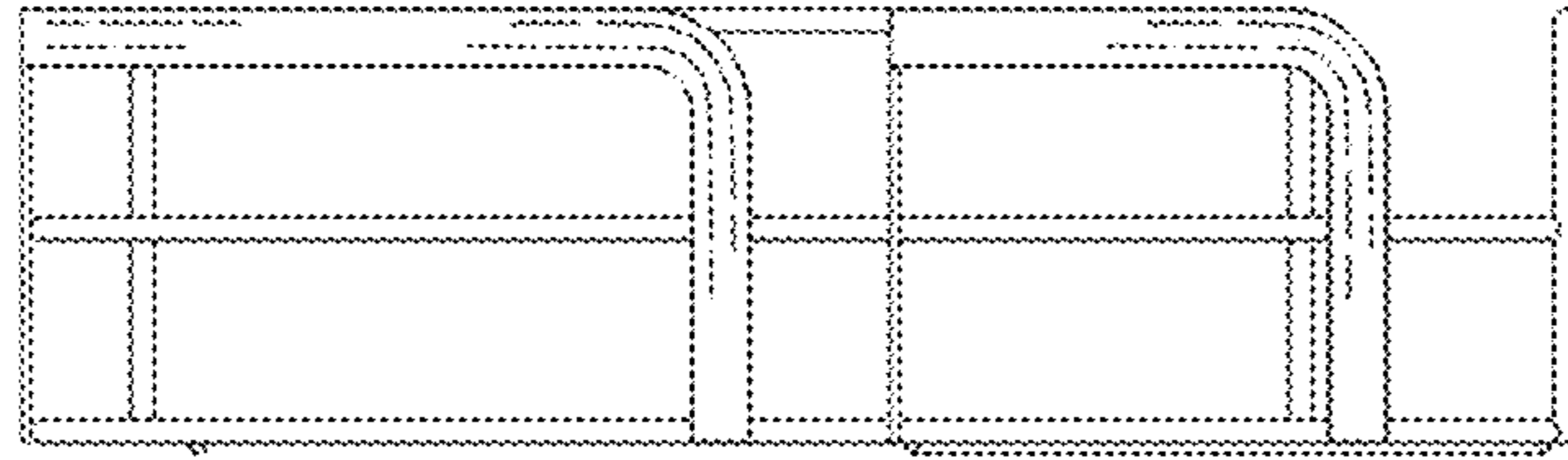


FIG 5

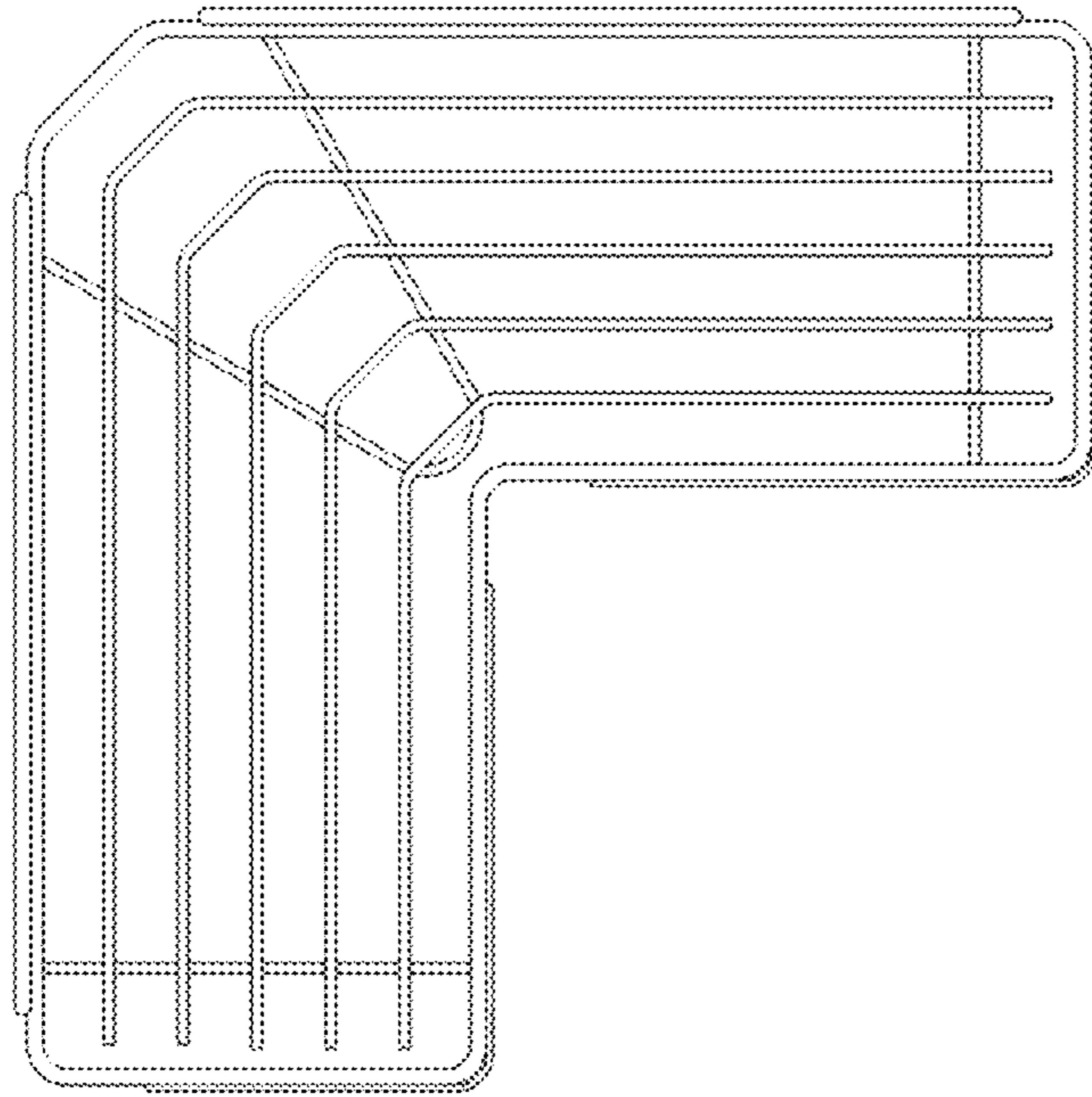


FIG 6



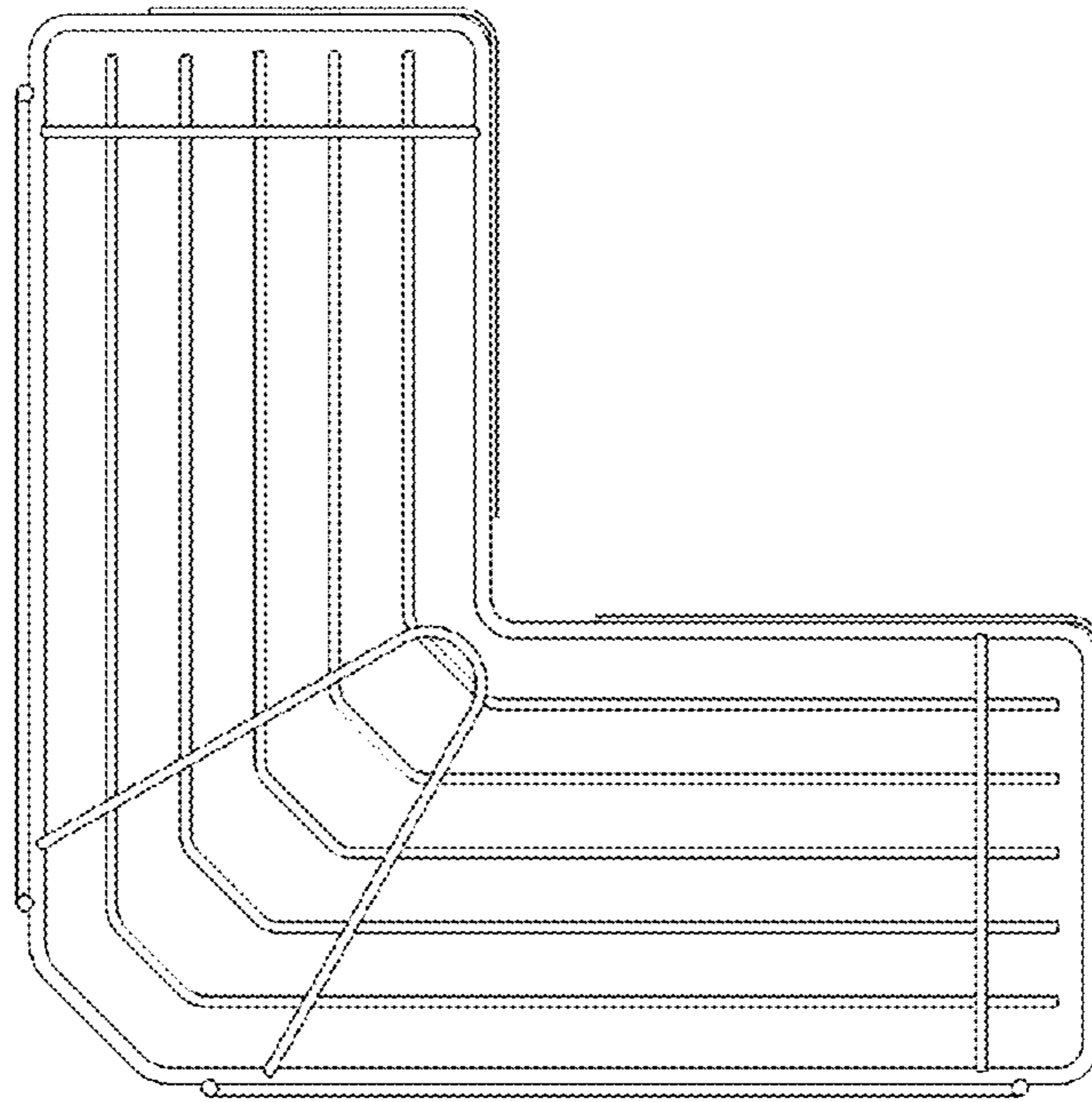


FIG 7