



US00D986654S

(12) **United States Design Patent** (10) **Patent No.:** **US D986,654 S**
Chen (45) **Date of Patent:** **** May 23, 2023**

(54) **DISPLAY RACK WITH LIGHT SOURCES**

FOREIGN PATENT DOCUMENTS

(71) Applicant: **Ching-Hui Chen**, Huizhou (CN)

CN 303060044 * 12/2014
KR 300762547.0000 * 9/2014

(72) Inventor: **Ching-Hui Chen**, Huizhou (CN)

(Continued)

(**) Term: **15 Years**

OTHER PUBLICATIONS

(21) Appl. No.: **29/805,270**

Fome, "LED Shelf Floor Lamp", first avail date Apr. 16, 2020
https://www.amazon.ca/FOME-Standing-63inches-Organizer-Provides/dp/B0875TX51J/ref=sr_1_4_sspa?crd=6LX5CGYP9DIG&keywords=shelves%2Bwith%2Bbuilt%2Bin%2Blight&qid=1677168422&sprefix=shelves%2Bwith%2Bbuilt%2Bin%2Blight%2Caps%2C91&sr=8-4-sp (Year: 2020).*

(22) Filed: **Aug. 26, 2021**

Furinno, "5-Tier Square Rack Display Shelf", first avail Nov. 11, 2013
https://www.amazon.ca/Furinno-99132LC-BK-5-Tier-Display/dp/B0039YWA02/ref=d_pd_di_sccai_cn_sccI_3_19/141-9159823-8695952?pd_rd_w=I0pBM&content-id=amzn1.sym.d6674fdf-bd00-4d07-8317-6dfd6c498cdf&pf_rd_p=d6674fdf-bd00-4d07-831 (Year: 2013).*

(51) **LOC (14) Cl.** **06-04**

(52) **U.S. Cl.**

USPC **D6/675.1**; D26/93

(58) **Field of Classification Search**

USPC D6/533, 657, 672, 673, 675, 675.1,
D6/675.2, 675.4; D26/51, 58, 60, 93,
D26/102, 110

CPC F21S 6/00; F21S 6/002; F21S 6/004; F21S
6/005; F21V 21/06; F21W 2131/30;
F21W 2131/301; A47B 55/00; A47B
63/00

See application file for complete search history.

(Continued)

Primary Examiner — Bao-Yen T Nguyen
Assistant Examiner — Jessica Ruth Grable
(74) *Attorney, Agent, or Firm* — WPAT, PC

(57) **CLAIM**

The ornamental design for a display rack with light sources, as shown and described.

(56) **References Cited**

DESCRIPTION

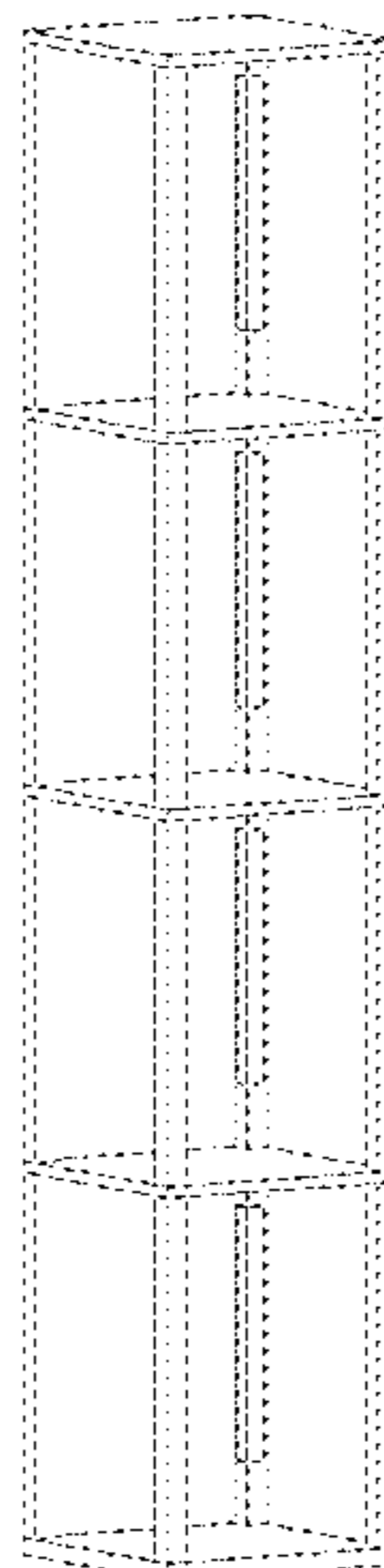
U.S. PATENT DOCUMENTS

D294,542 S * 3/1988 Hill D6/673
5,072,343 A * 12/1991 Buers A47F 3/001
312/223.5
D328,956 S * 8/1992 Leonard D11/131
D462,201 S * 9/2002 Palmer D6/675.2
D581,577 S * 11/2008 Baldele D26/104
D670,420 S * 11/2012 Hui D26/51
D731,823 S * 6/2015 Kelinske D6/675.1
D760,516 S * 7/2016 Yu D6/680.2
10,305,233 B2 * 5/2019 Chen F21V 1/00
D870,338 S * 12/2019 Young D26/51
D874,854 S * 2/2020 Gelman D6/672
D891,831 S * 8/2020 Davis D6/675.1
D932,815 S * 10/2021 Polidoros D6/675.1
D934,487 S * 10/2021 Yeh D26/110
D967,494 S * 10/2022 Yuan D26/93
D970,800 S * 11/2022 Li D26/110

FIG. 1 is a perspective left rear view of a display rack with light sources;
FIG. 2 is a right side view of a display rack with light sources of FIG. 1, the left side view being a mirror image thereof;
FIG. 3 is a rear view of a display rack with light sources of FIG. 1, the front side view being a mirror image thereof;
FIG. 4 is a perspective left front rear view of a display rack with light sources of FIG. 1, the perspective right rear view being a mirror image thereof;
FIG. 5 is a perspective left rear view of a display rack with light sources of FIG. 1, the perspective right front view is a mirror image thereof; and,
FIG. 6 is bottom view of a display rack with light sources of FIG. 1, the top view being a mirror image thereof.

(Continued)

1 Claim, 6 Drawing Sheets



(56)

References Cited

U.S. PATENT DOCUMENTS

D970,935 S * 11/2022 Liu D6/681.1
D971,482 S * 11/2022 Lou D26/93
D975,345 S * 1/2023 Zheng D26/110
2011/0242824 A1* 10/2011 Chen F21V 17/007
362/351
2012/0044702 A1* 2/2012 Chen F21V 1/16
362/351
2014/0118995 A1* 5/2014 Chen F21V 33/0012
362/127
2018/0138645 A1* 5/2018 Chen H01R 33/92

FOREIGN PATENT DOCUMENTS

KR 300875341.0000 * 9/2016
KR 301055542.0000 * 4/2020
KR 301193737.0000 * 11/2022

OTHER PUBLICATIONS

Solatmos, "Metal Plant Stand with grow Lights", first available Sep. 23, 2022 (after EFD of Aug. 26, 2021) https://www.amazon.ca/Solatmos-Multiple-Planter-Display-Balcony/dp/B0BFDTW4BJ/ref=sr_1_9?keywords=display%2Bshelf%2Bwith%2Bbuilt%2Bin%2Blight&qid=1677170559&sr=8-9&th=1 (Year: 2022).*

Lyngby, "Floor Lamp", first avail Jan. 19, 2023 https://www.amazon.ca/Display-Bedroom-Creative-Bedside-Standing/dp/B0BSN9QQDY/ref=sr_1_63?crd=BEOJ4N0BYVXP&keywords=display%2Bbrack%2Bwith%2Blight%2Bsources&qid=1677170941&prefix=display%2Bbrack%2Bwith%2Blight%2Bsources%2 (Year: 2023).*

* cited by examiner

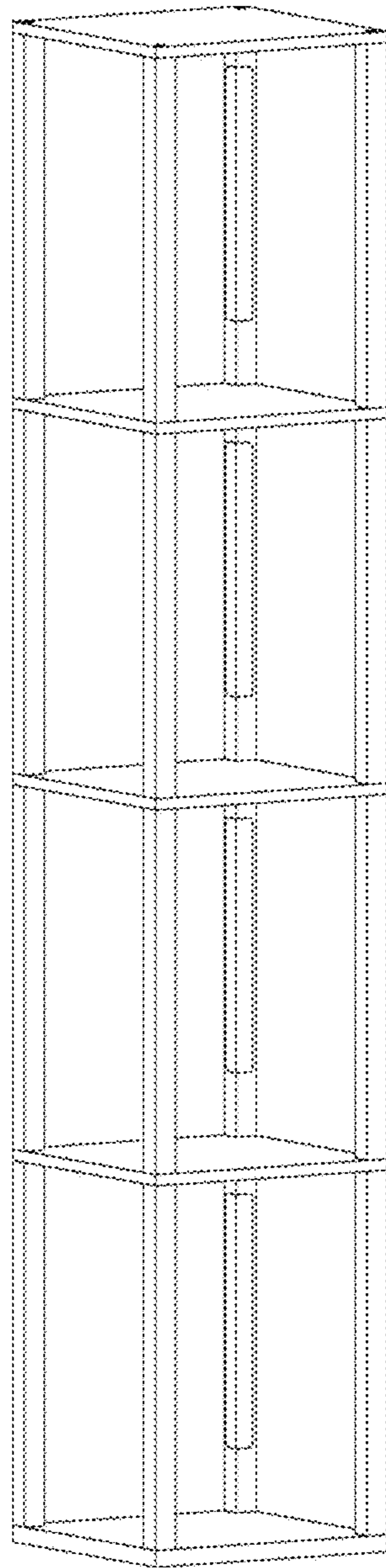


Fig. 1

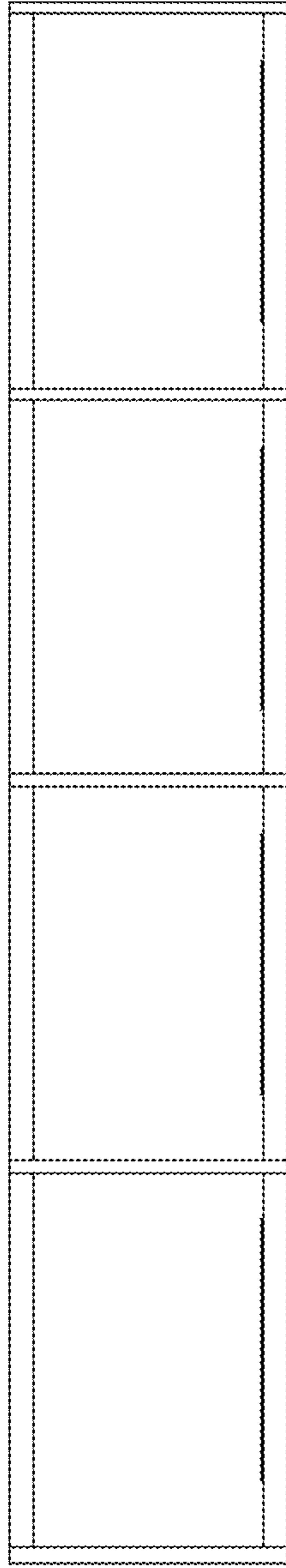


Fig. 2

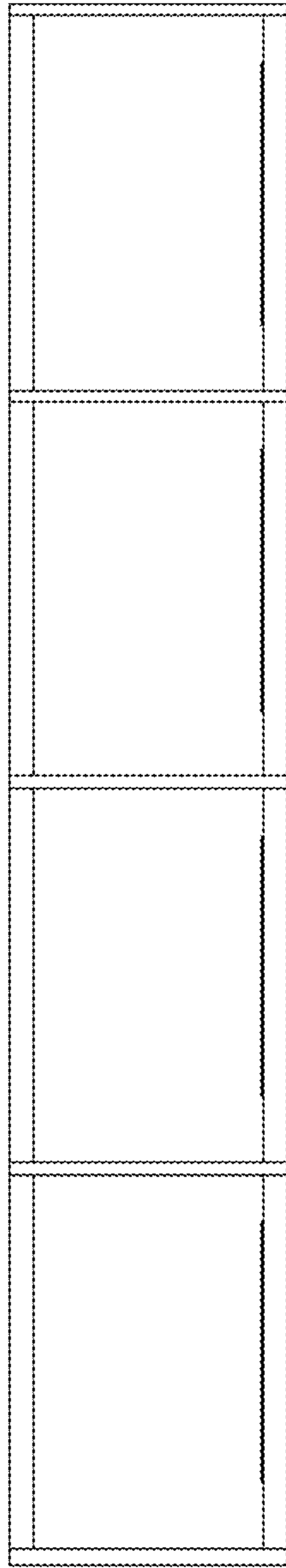


Fig. 3

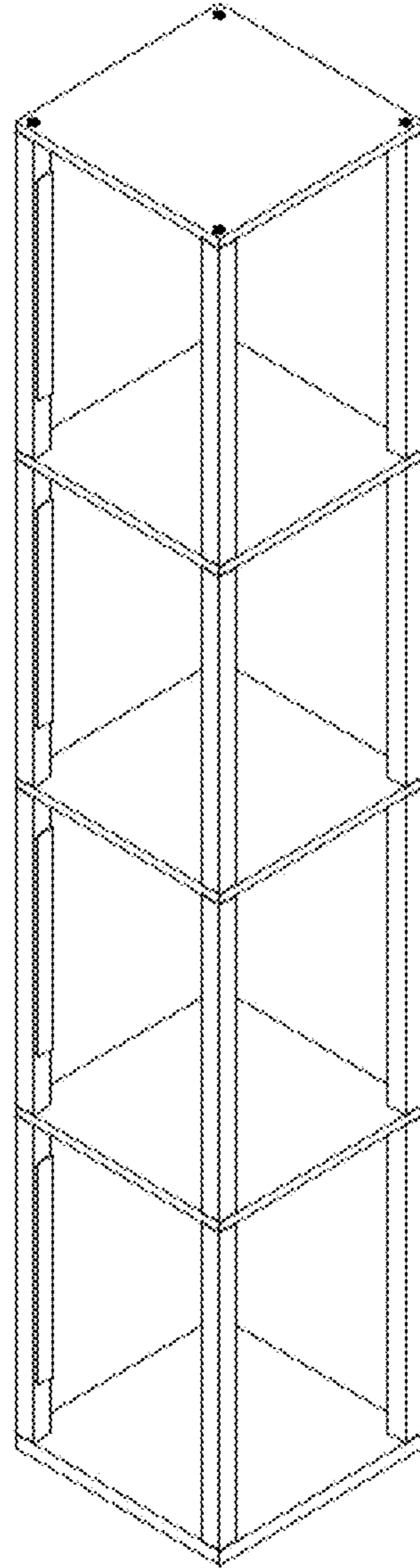


Fig. 4

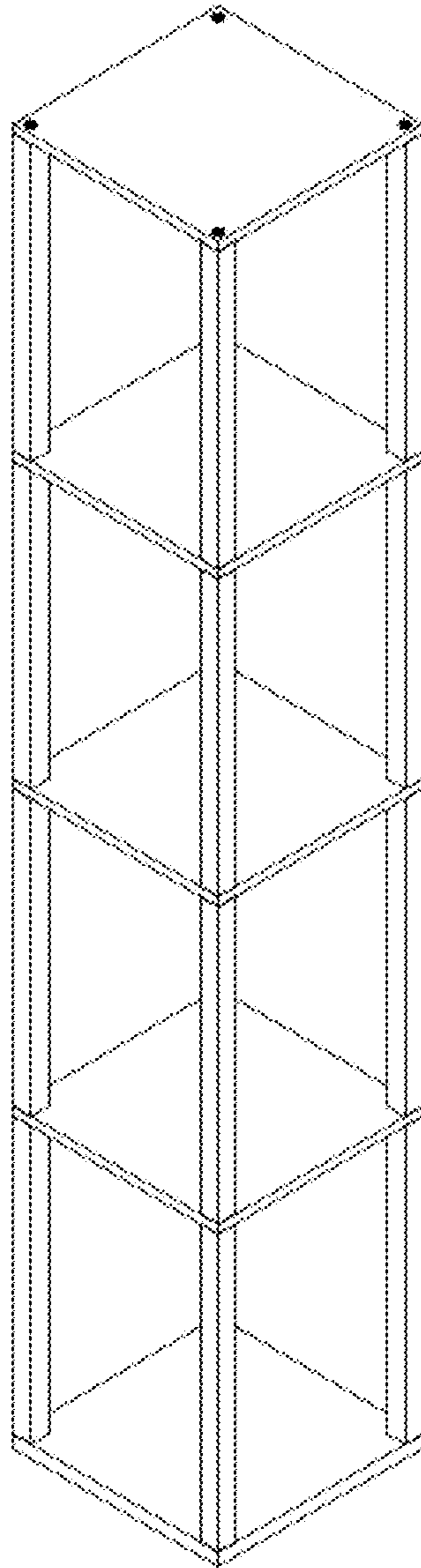


Fig. 5

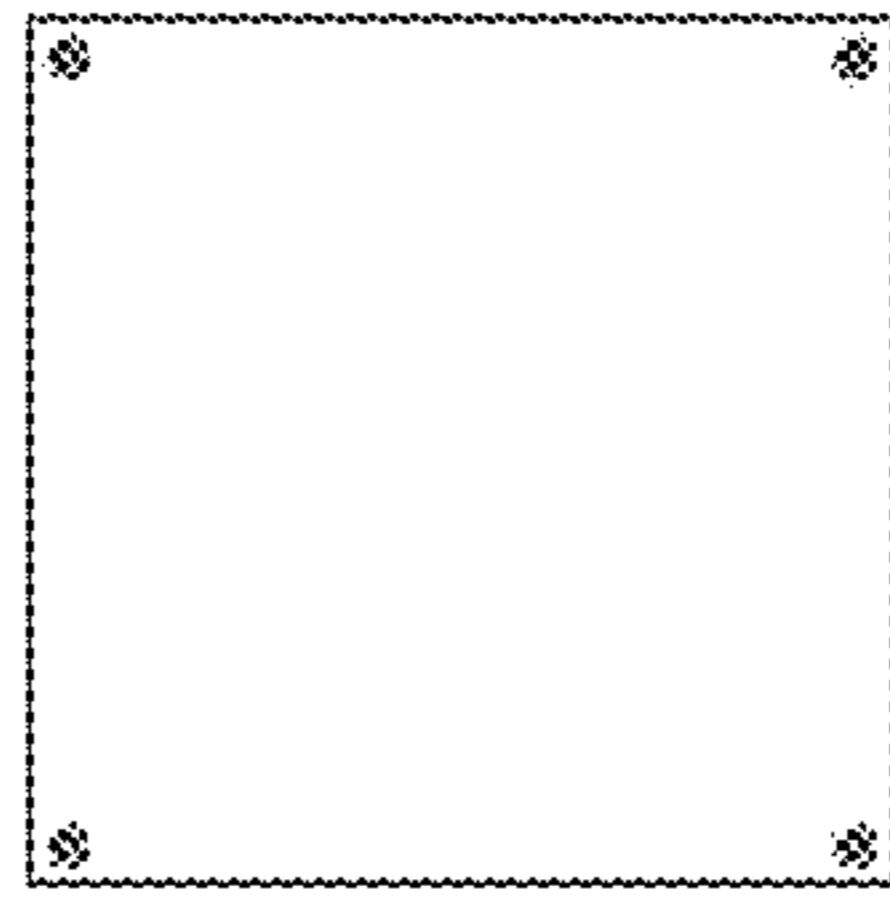


Fig. 6