



US00D986653S

(12) **United States Design Patent**
Yamashiro

(10) **Patent No.:** **US D986,653 S**

(45) **Date of Patent:** **** May 23, 2023**

(54) **SHELF UNIT**

(71) Applicant: **Iris Ohyama Inc.**, Sendai (JP)

(72) Inventor: **Shuhei Yamashiro**, Kakuda (JP)

(73) Assignee: **Iris Ohyama Inc.**, Sendai (JP)

(**) Term: **15 Years**

(21) Appl. No.: **29/794,548**

(22) Filed: **Jun. 14, 2021**

(30) **Foreign Application Priority Data**

Dec. 23, 2020 (JP) 2020-027798 D

(51) **LOC (14) Cl.** **06-04**

(52) **U.S. Cl.**

USPC **D6/675.1**

(58) **Field of Classification Search**

USPC D6/329, 332, 462, 463, 464, 465, 479,
D6/672, 675, 675.1, 675.3, 675.5, 681,
D6/681.2

CPC ... A47B 47/028; A47B 47/027; A47B 47/022;
A47B 96/027; A47B 96/061; A47B
96/028; A47B 57/482; A47B 47/021;
A47B 57/40; A47B 96/1441; A47F 5/103;
A47F 5/0081

See application file for complete search history.

(56) **References Cited**

U.S. PATENT DOCUMENTS

- 1,324,537 A * 12/1919 Belcher A47B 57/42
211/187
- RE25,156 E * 4/1962 Gingher et al. A47B 47/022
52/581
- 3,040,905 A * 6/1962 Gingher A47F 5/103
211/183
- 3,512,654 A * 5/1970 Jay A47B 96/145
411/356
- 3,770,135 A * 11/1973 Schild A47B 57/42
248/242

4,541,344 A * 9/1985 Nichols A47B 47/022
108/108

D291,164 S * 8/1987 Luyk D6/681.2

5,074,422 A * 12/1991 Holtz A47B 57/10
211/187

(Continued)

FOREIGN PATENT DOCUMENTS

CN 303065354 * 1/2015

JP 2019-054984 A 4/2019

(Continued)

OTHER PUBLICATIONS

Store More Store, "Cantilever Epoxy Coated wire shelves", no first available date <https://www.storemorestore.com/cantilever-epoxy-coated-wire-shelves-p/sms-83-q1824v76-5.htm> (Year: 2023).*

(Continued)

Primary Examiner — Bao-Yen T Nguyen

Assistant Examiner — Jessica Ruth Grable

(74) *Attorney, Agent, or Firm* — Studebaker & Brackett PC

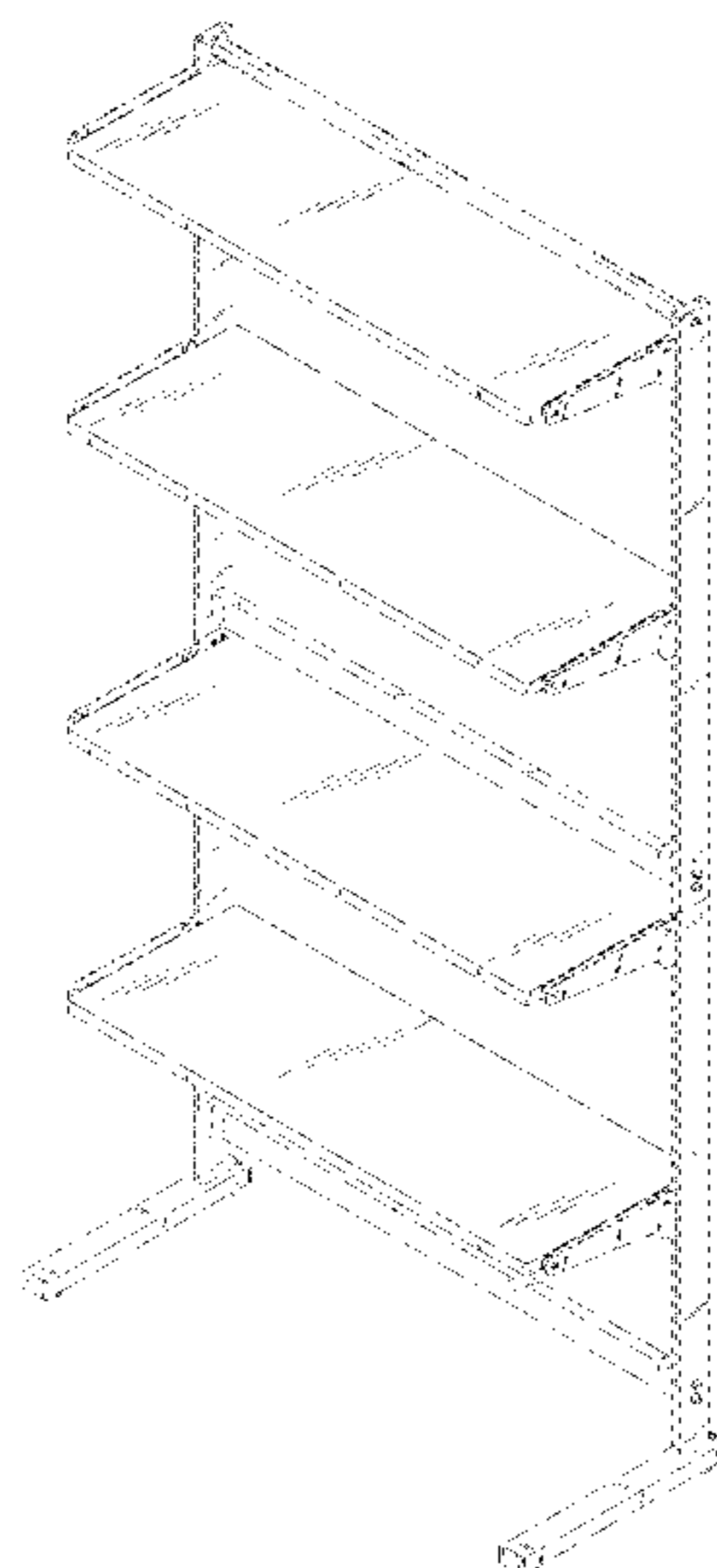
(57) **CLAIM**

The ornamental design for a shelf unit, as shown and described.

DESCRIPTION

FIG. 1 is a front, top and right-side perspective view of a shelf unit showing my new design;
FIG. 2 is a rear, top and left-side perspective view thereof;
FIG. 3 is a front view thereof;
FIG. 4 is a rear view thereof;
FIG. 5 is a top view thereof;
FIG. 6 is a bottom view thereof; and,
FIG. 7 is a right-side view thereof; with the left-side view being a mirror image.

1 Claim, 7 Drawing Sheets



(56)

References Cited

U.S. PATENT DOCUMENTS

5,328,039 A * 7/1994 Heimendinger G09F 15/00
 211/183
 D364,763 S * 12/1995 Sielaff D6/675.1
 D377,428 S * 1/1997 Rossdeutscher D34/21
 6,089,387 A * 7/2000 Varfolomeeva A47B 57/06
 211/90.03
 6,129,224 A * 10/2000 Mingers A47B 57/482
 211/192
 D560,402 S * 1/2008 Lev D6/675.1
 D706,559 S * 6/2014 Muller D6/678.1
 10,021,972 B1 * 7/2018 Robinson A47B 57/30
 10,159,340 B2 * 12/2018 Gonzalez A47B 96/06
 10,709,237 B2 * 7/2020 Robinson A47B 96/028
 D960,615 S * 8/2022 Takei D6/675.1
 D970,932 S * 11/2022 Zhao D6/675.3
 2016/0328767 A1 * 11/2016 Bonner G06K 7/10861
 2020/0054125 A1 * 2/2020 Robinson A47B 96/028

FOREIGN PATENT DOCUMENTS

KR 300573702.0000 * 9/2010
 KR 300989155.0000 * 1/2019
 WO D217323-002 * 3/2021

OTHER PUBLICATIONS

Bimobject, "Freestanding shelving", no first available date <https://www.bimobject.com/en/hylltechnik-en/product/fsslw7ms> (Year: 2023).*

1st Dibs, "Scandinavian Modular Library Shelving" date of manufacture: 1950-1959 https://www.1stdibs.com/en-gb/furniture/storage-case-pieces/bookcases/scandinavian-modular-library-shelving-yellow-black-metal-reska-denmark/id-f_4899053/ (Year: 1950).*

Cecile Co., Ltd., website publication, (Japan Patent Office Design Patent Department, publicly known reference number (HJ24016919). A Notice of Allowance mailed by the Japanese Patent Office dated Apr. 27, 2021, which corresponds to Japanese Design Application No. 2020-027798 and is related to Design U.S. Appl. No. 29/794,548 with partial English translation.

* cited by examiner

FIG. 1

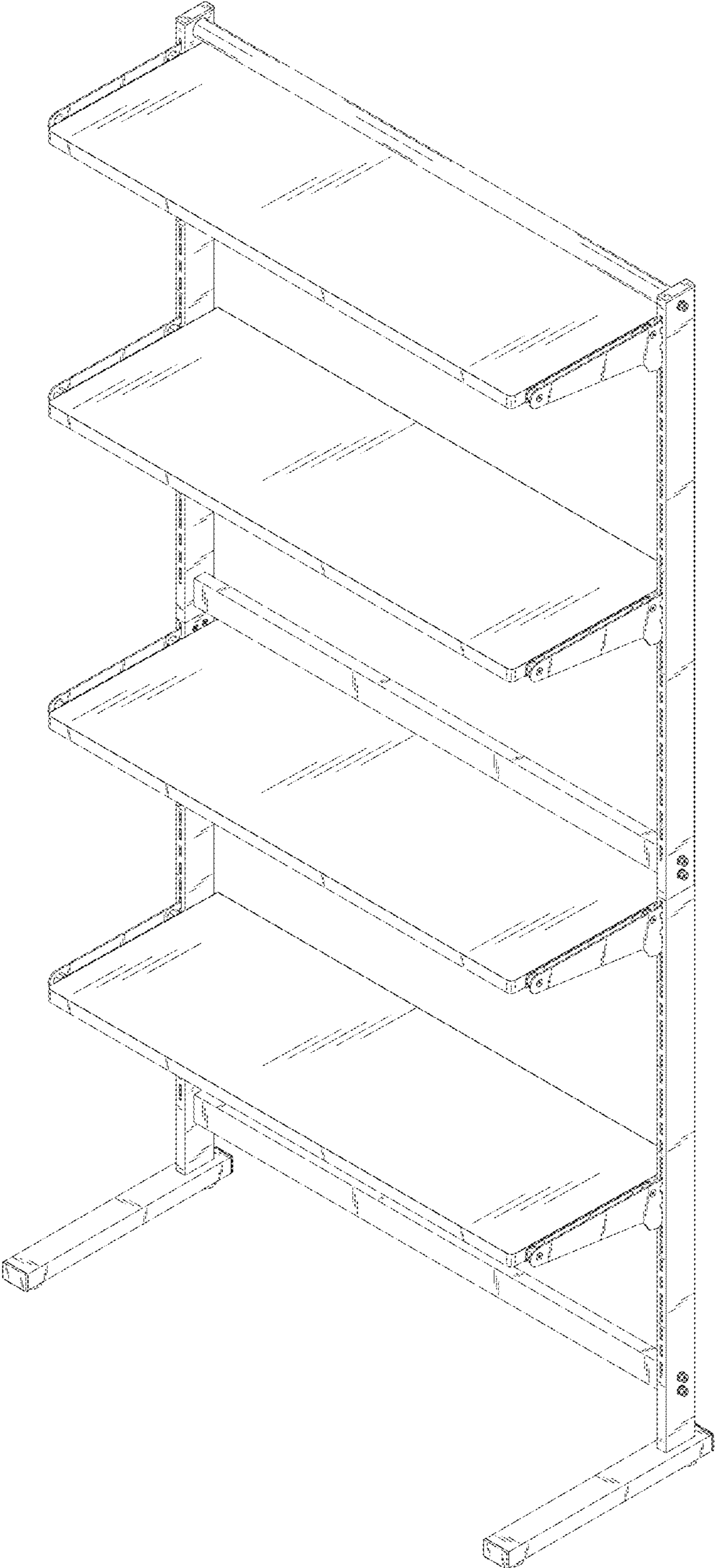


FIG.2

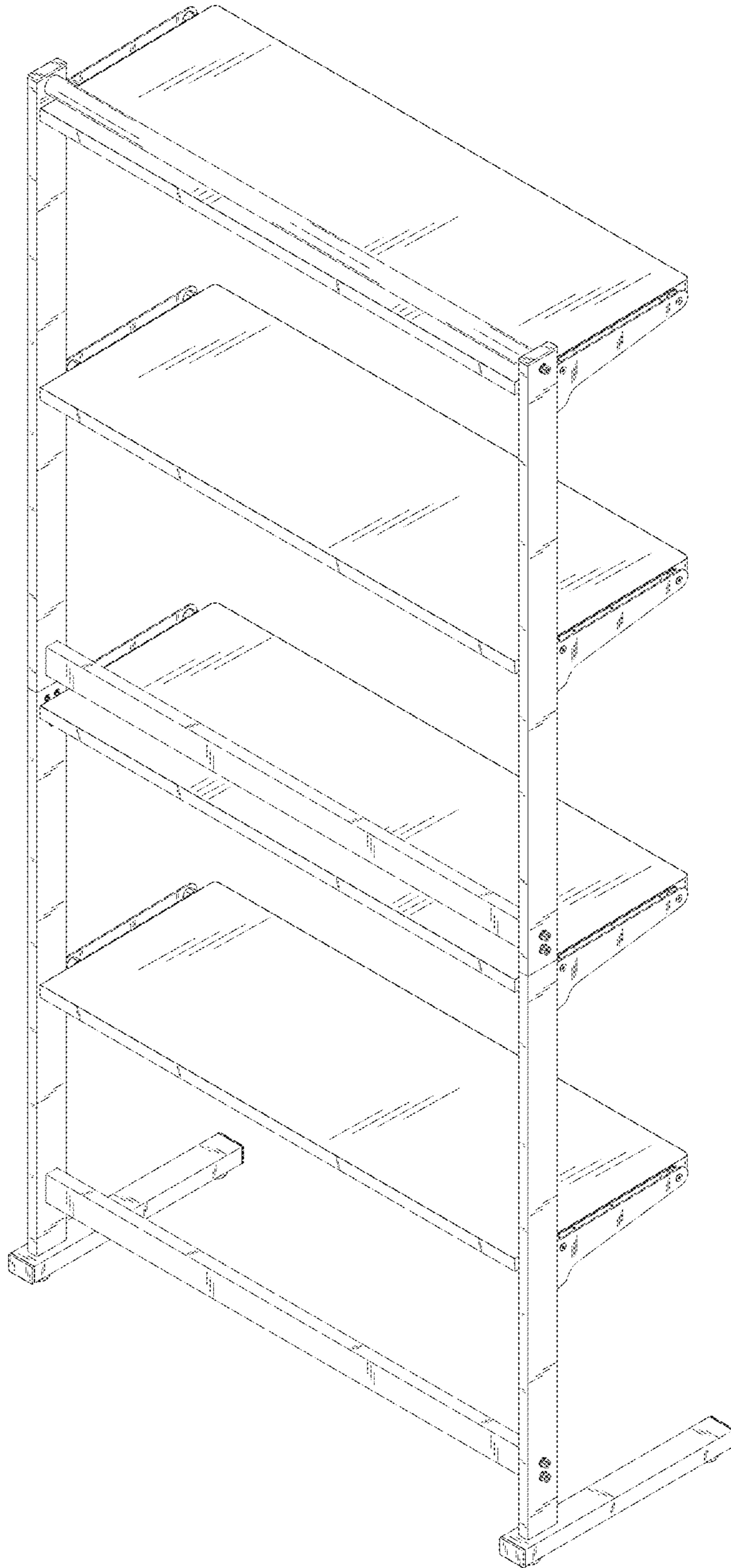


FIG.3

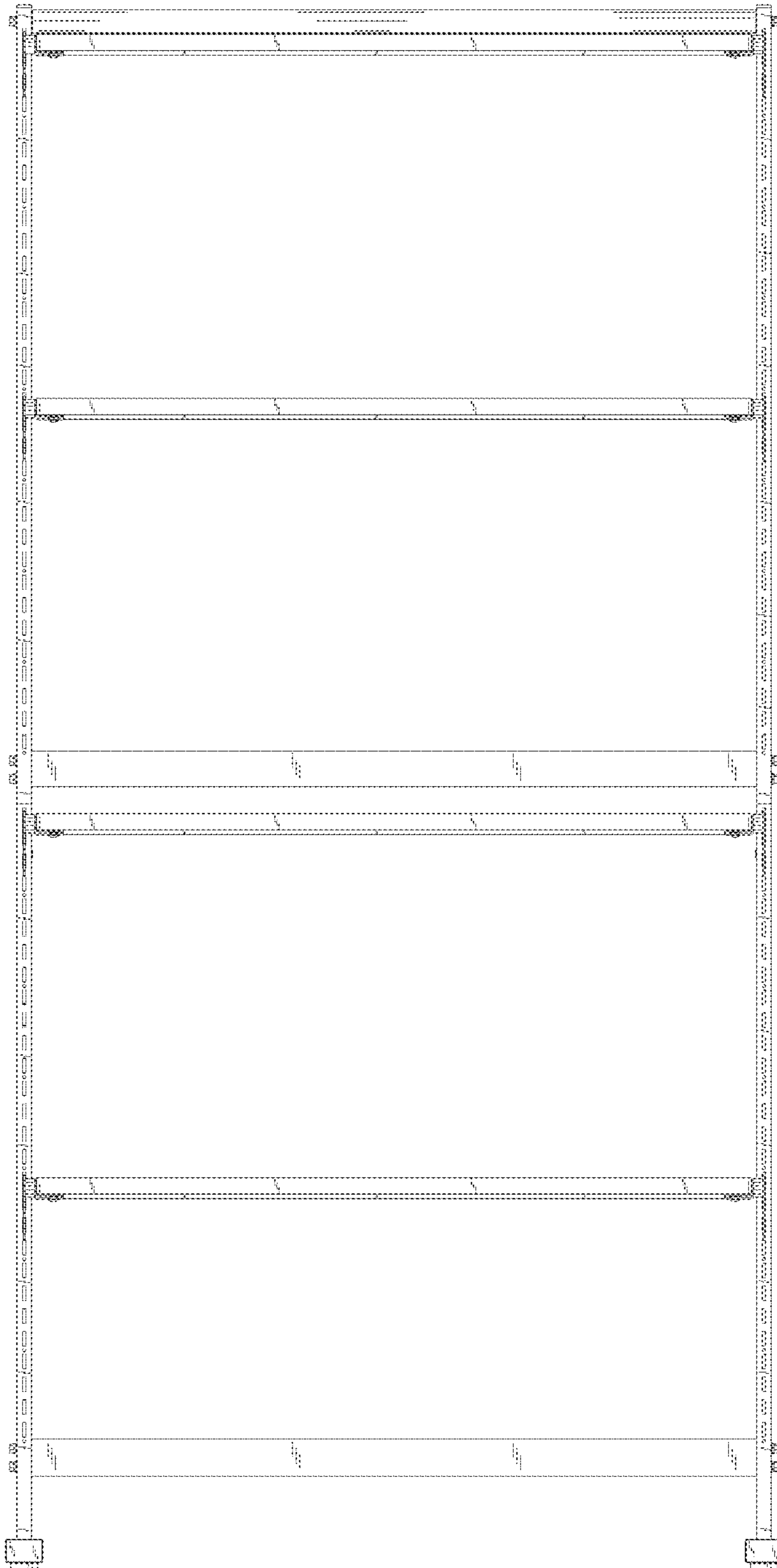


FIG.4

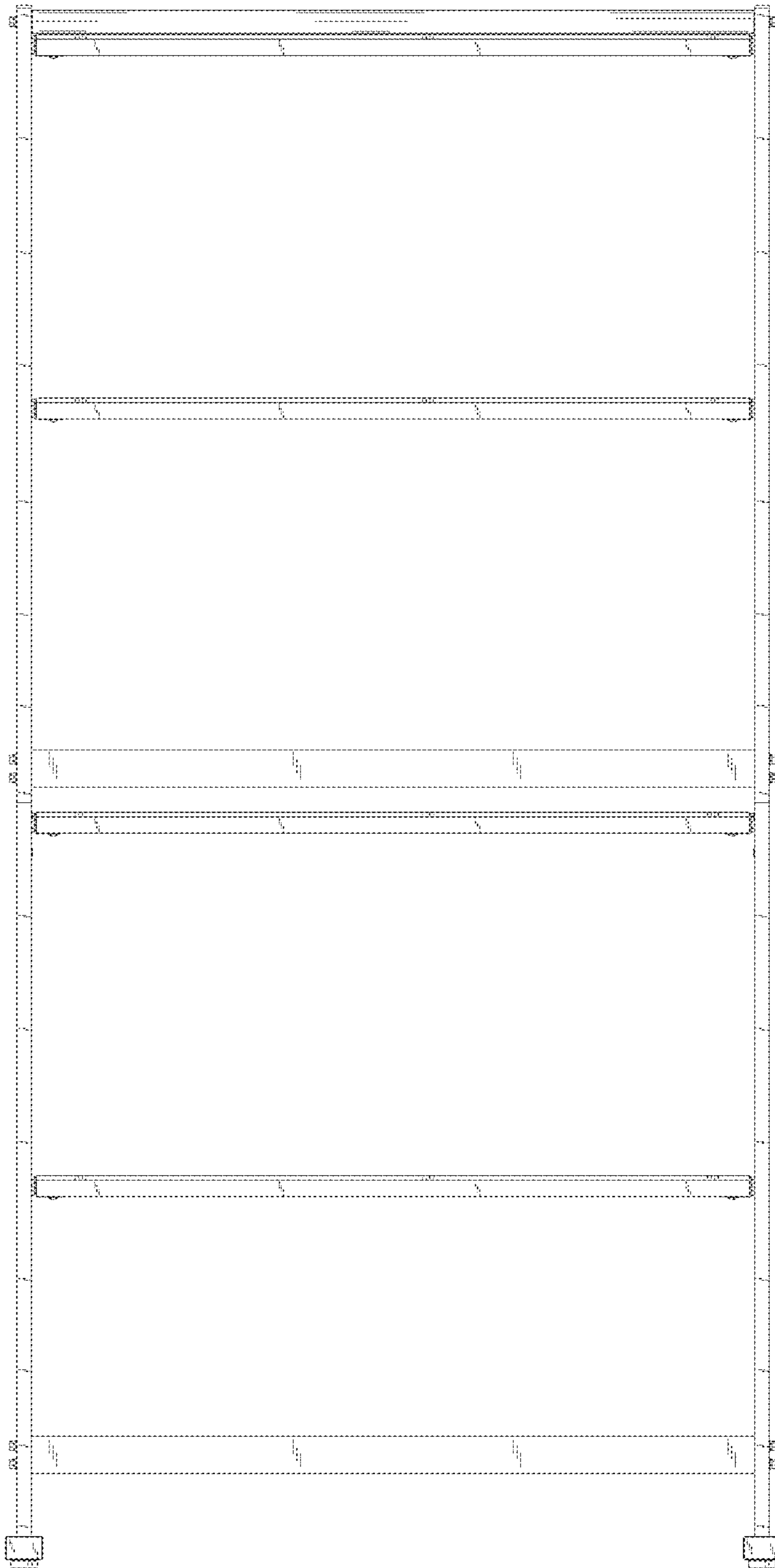


FIG.5

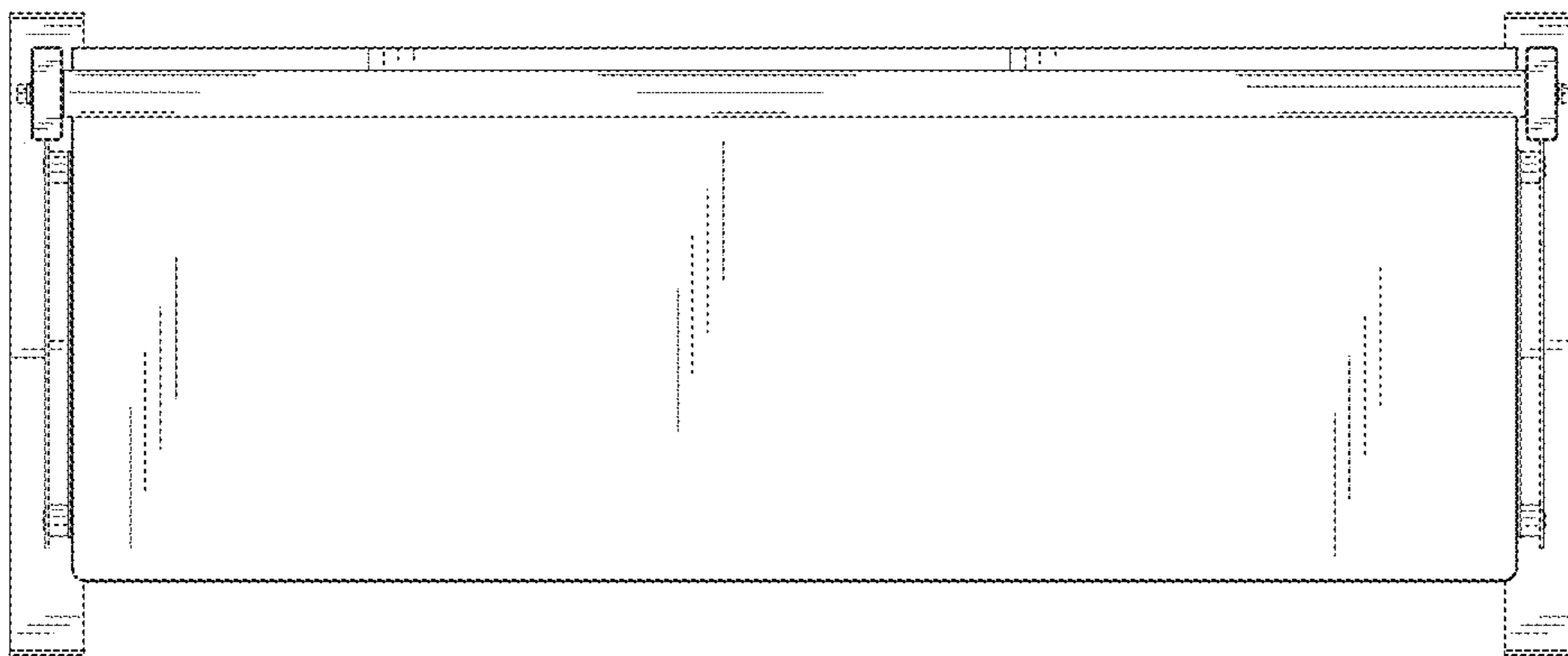


FIG.6

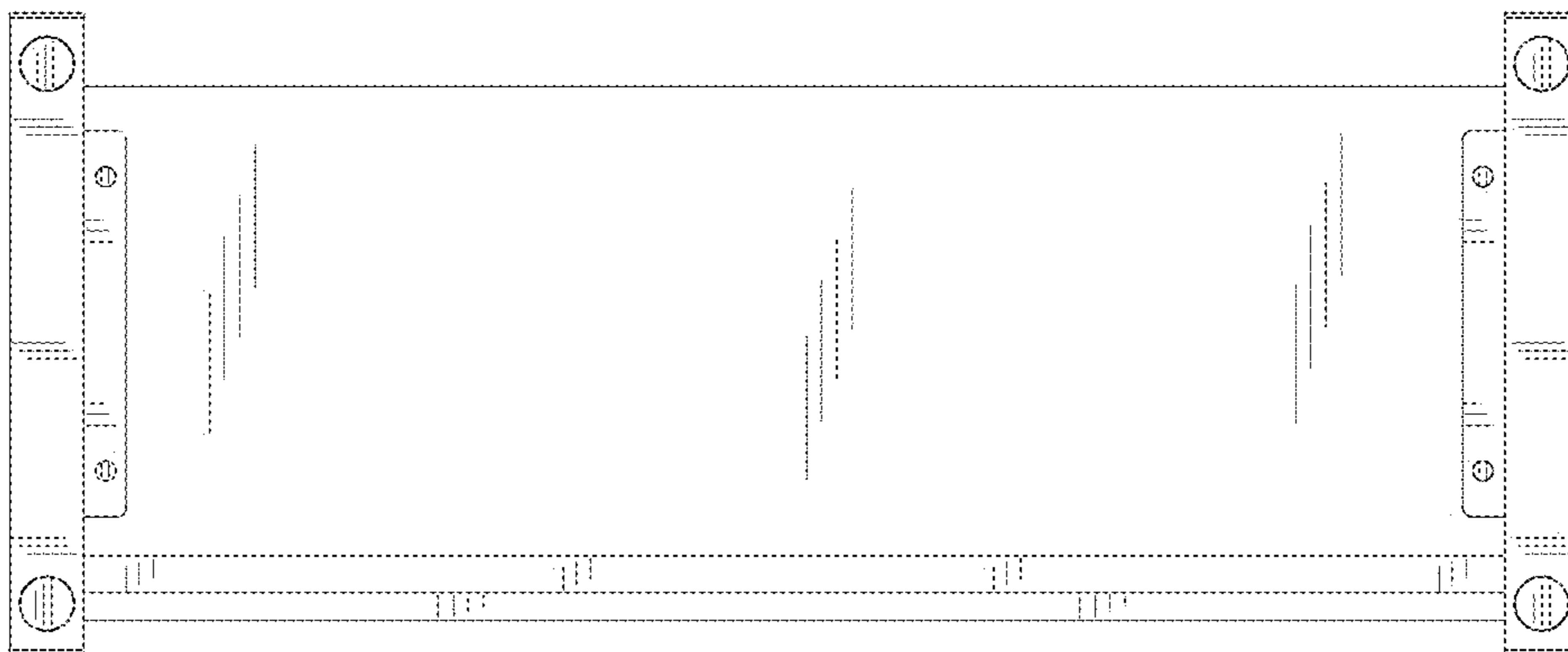


FIG.7

