



US00D986648S

(12) **United States Design Patent**
Li

(10) **Patent No.:** **US D986,648 S**

(45) **Date of Patent:** **** May 23, 2023**

(54) **STORAGE CABINET**

(71) Applicant: **HENAN STEELCASE TECHNOLOGY CO., LTD.**, Luoyang (CN)

(72) Inventor: **Rongpo Li**, Luoyang (CN)

(73) Assignee: **HENAN STEELCASE TECHNOLOGY CO., LTD.**, Luoyang (CN)

(**) Term: **15 Years**

(21) Appl. No.: **29/859,606**

(22) Filed: **Nov. 11, 2022**

(51) **LOC (14) Cl.** **06-04**

(52) **U.S. Cl.**
USPC **D6/671.1**

(58) **Field of Classification Search**
USPC D6/663, 664, 671, 671.1, 671.2, 671.3, D6/671.4
CPC A47B 47/00; A47B 17/04; A47B 45/00; A47B 47/03; A47B 47/04; A47B 63/00; A47B 67/00; A47B 67/04; A47B 47/02; A47B 61/00; A47B 81/00

See application file for complete search history.

(56) **References Cited**

U.S. PATENT DOCUMENTS

D828,056 S * 9/2018 Chiao D6/671.1
D910,345 S * 2/2021 Li D6/671.1

D943,318 S 2/2022 Pang
D944,041 S * 2/2022 Xiao D6/671
D957,169 S * 7/2022 Xiao D6/671
D968,134 S * 11/2022 Li D6/671.1
D971,650 S * 12/2022 Wang D6/671.1
2019/0335899 A1* 11/2019 Langbert A47B 61/00

* cited by examiner

Primary Examiner — Mimoso De

(57) **CLAIM**

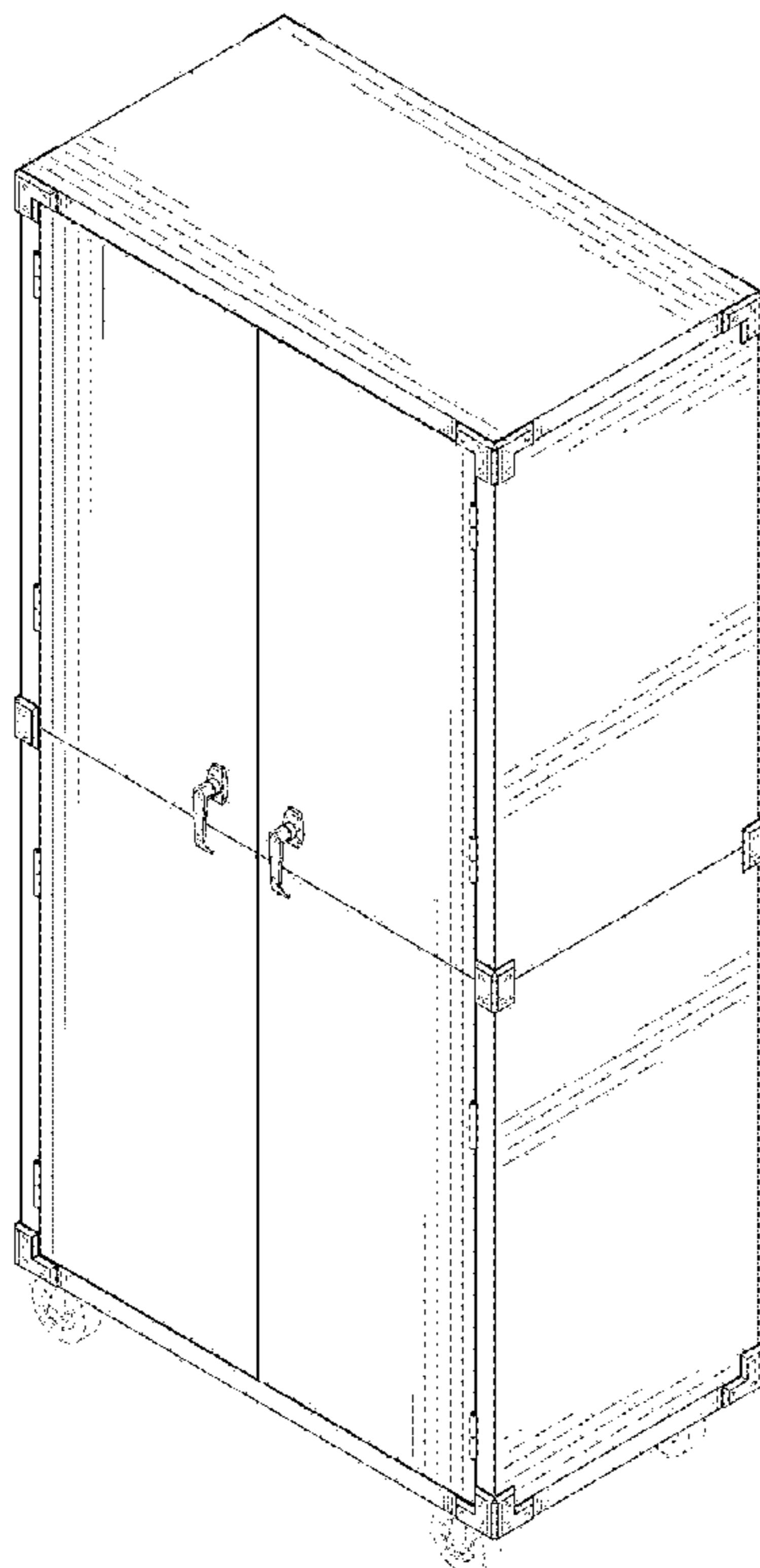
The ornamental design for a storage cabinet, as shown and described.

DESCRIPTION

FIG. 1 is a front and top perspective view of a storage cabinet, showing my new design;
FIG. 2 is a rear and bottom perspective view thereof;
FIG. 3 is a front elevation view thereof;
FIG. 4 is a rear elevation view thereof;
FIG. 5 is a left side elevation view thereof;
FIG. 6 is a right side elevation view thereof;
FIG. 7 is a top plan view thereof;
FIG. 8 is a bottom plan view thereof;
FIG. 9 is an enlarged perspective view of detail “9” identified in FIG. 2; and,
FIG. 10 is an enlarged perspective view of detail “10” identified in FIG. 2.

The dashed lines in the figures illustrate portions of the storage cabinet that form no part of the claimed design. The dash dot dash lines in FIGS. 2, 9 and 10 are for the purpose of illustrating the enlarged views indicators and form no part of the claimed design.

1 Claim, 10 Drawing Sheets



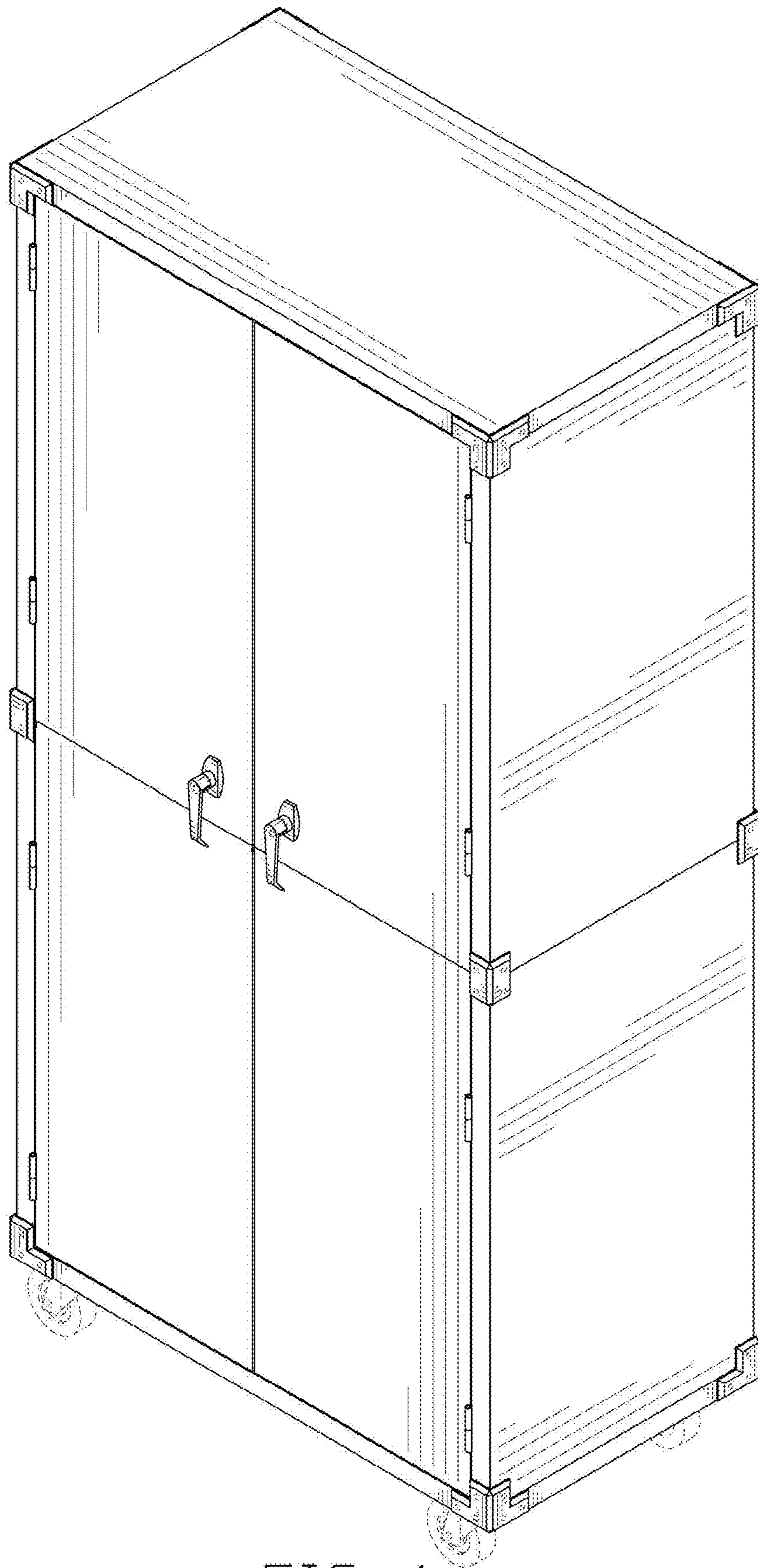


FIG. 1

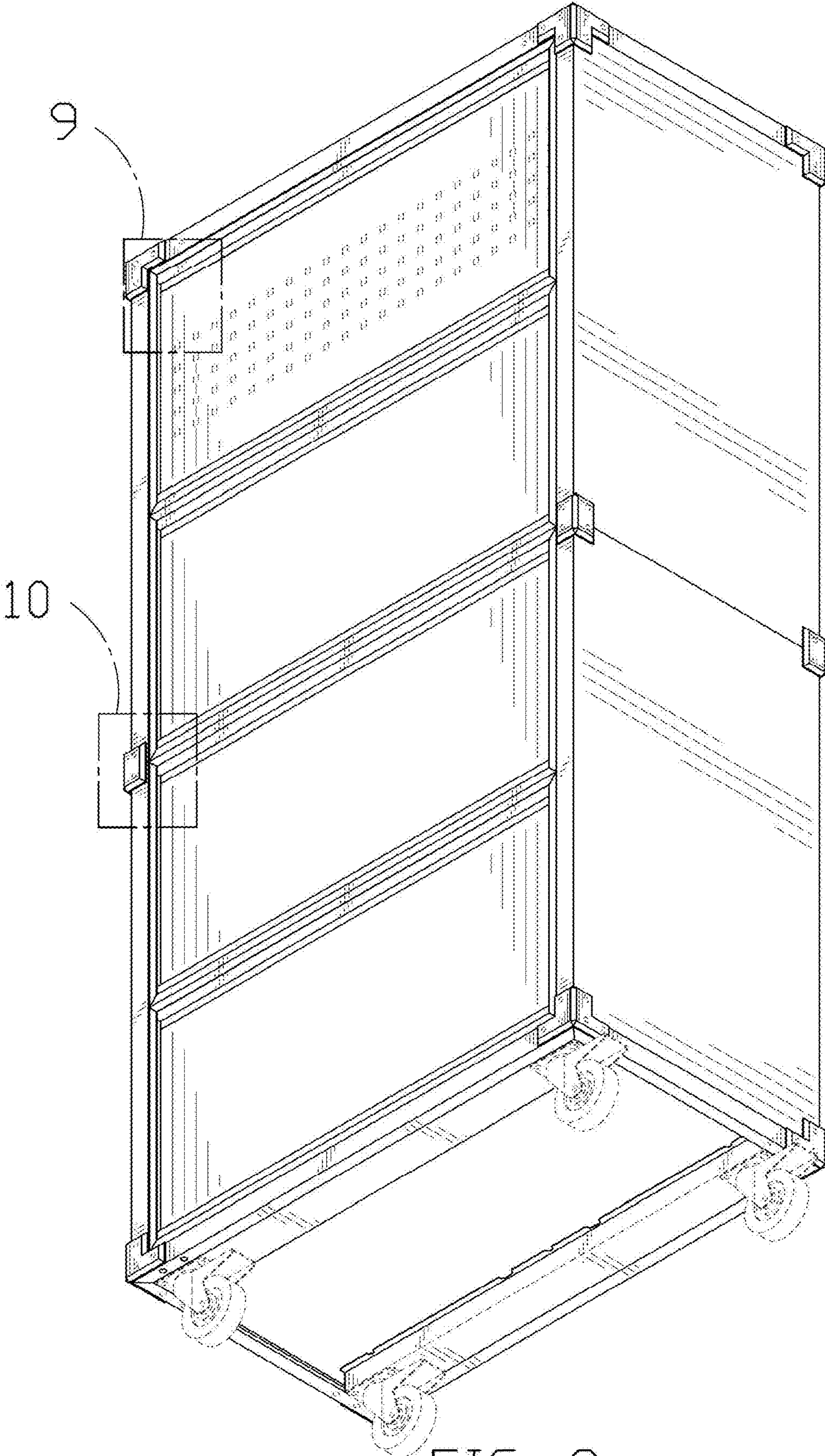


FIG. 2

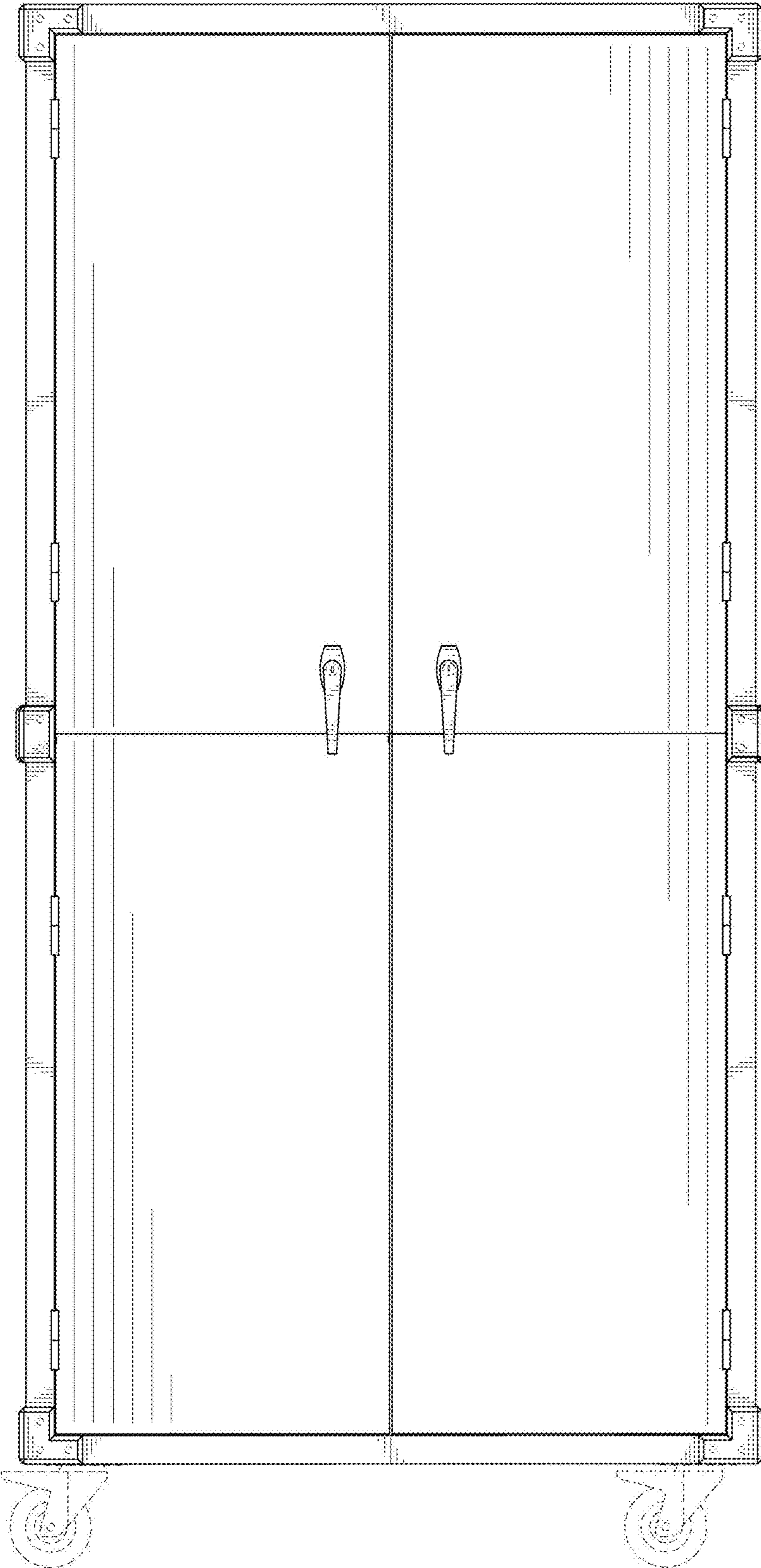


FIG. 3

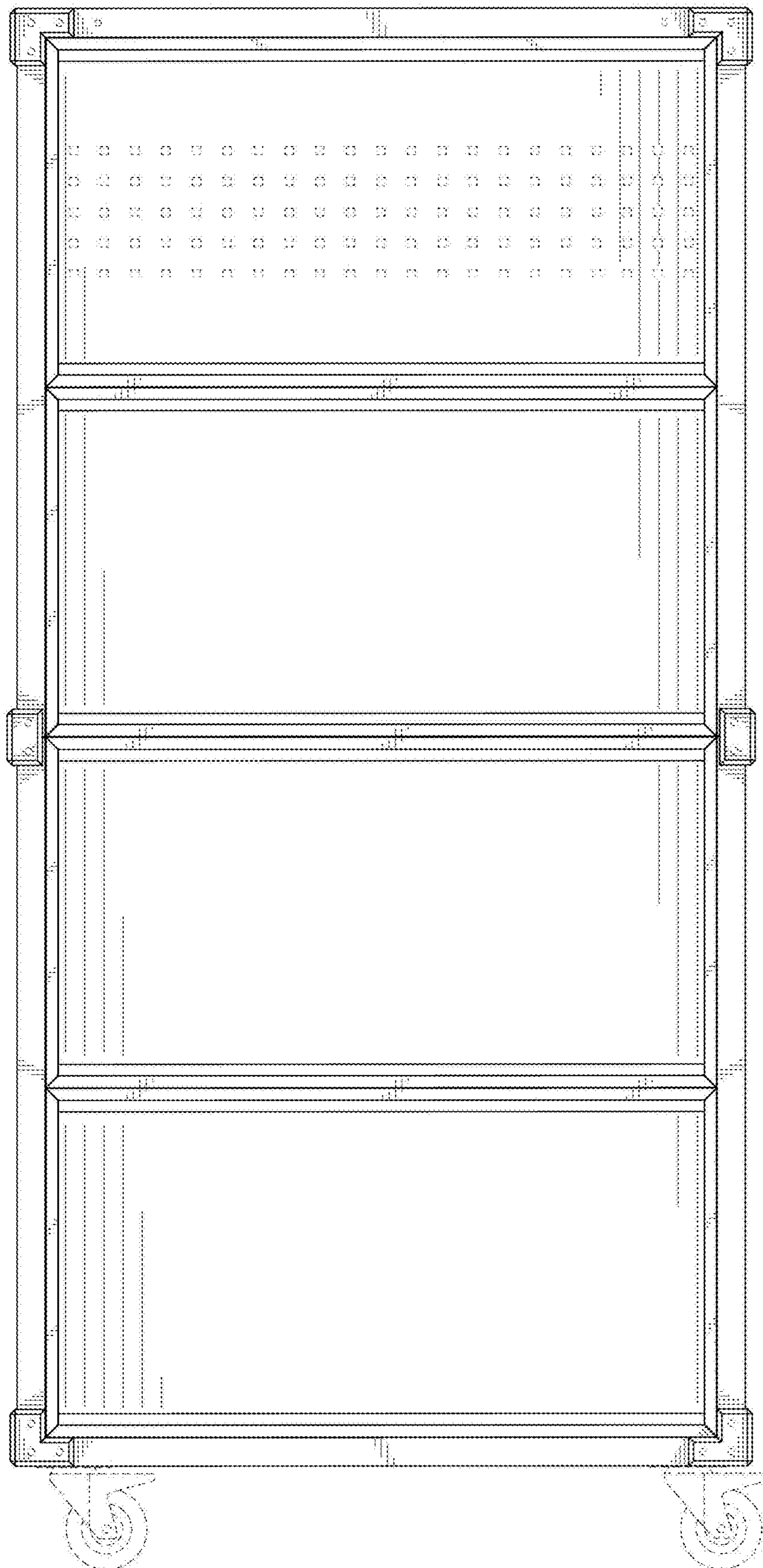


FIG. 4

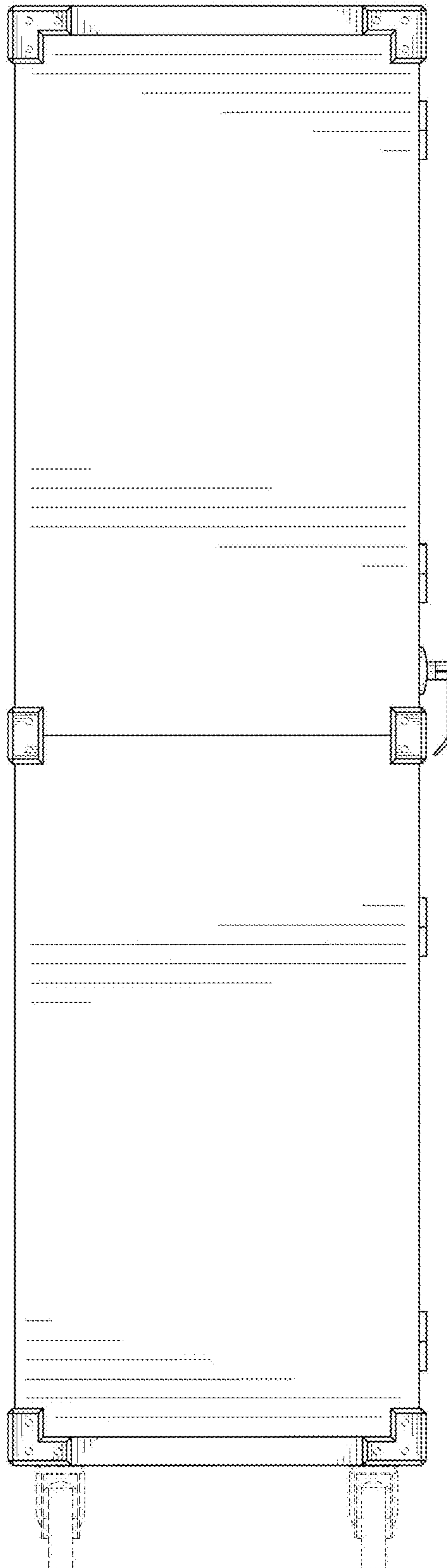


FIG. 5

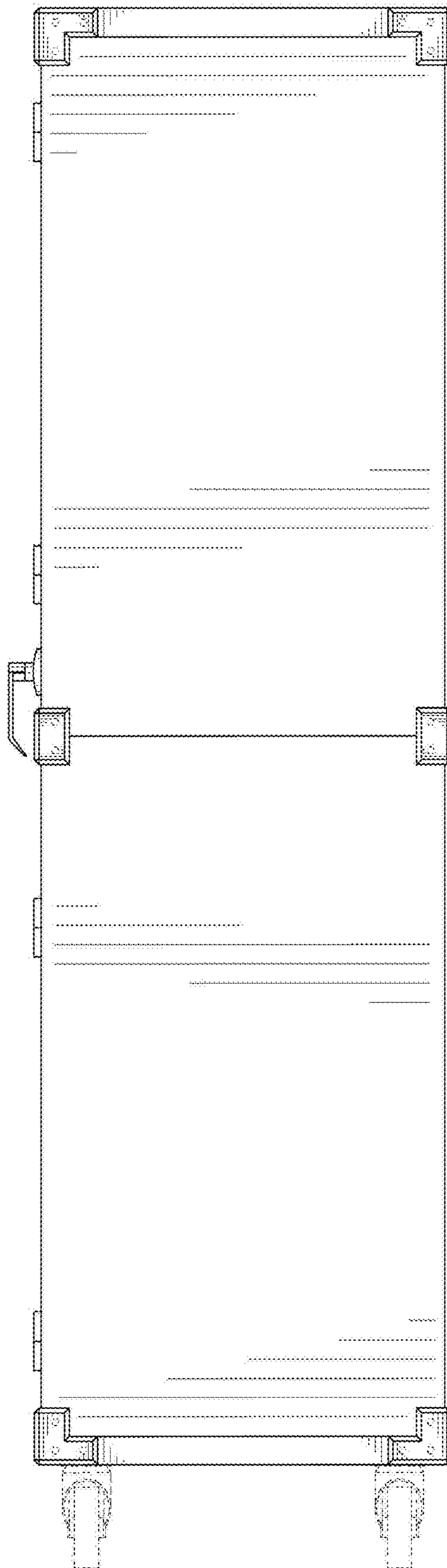


FIG. 6

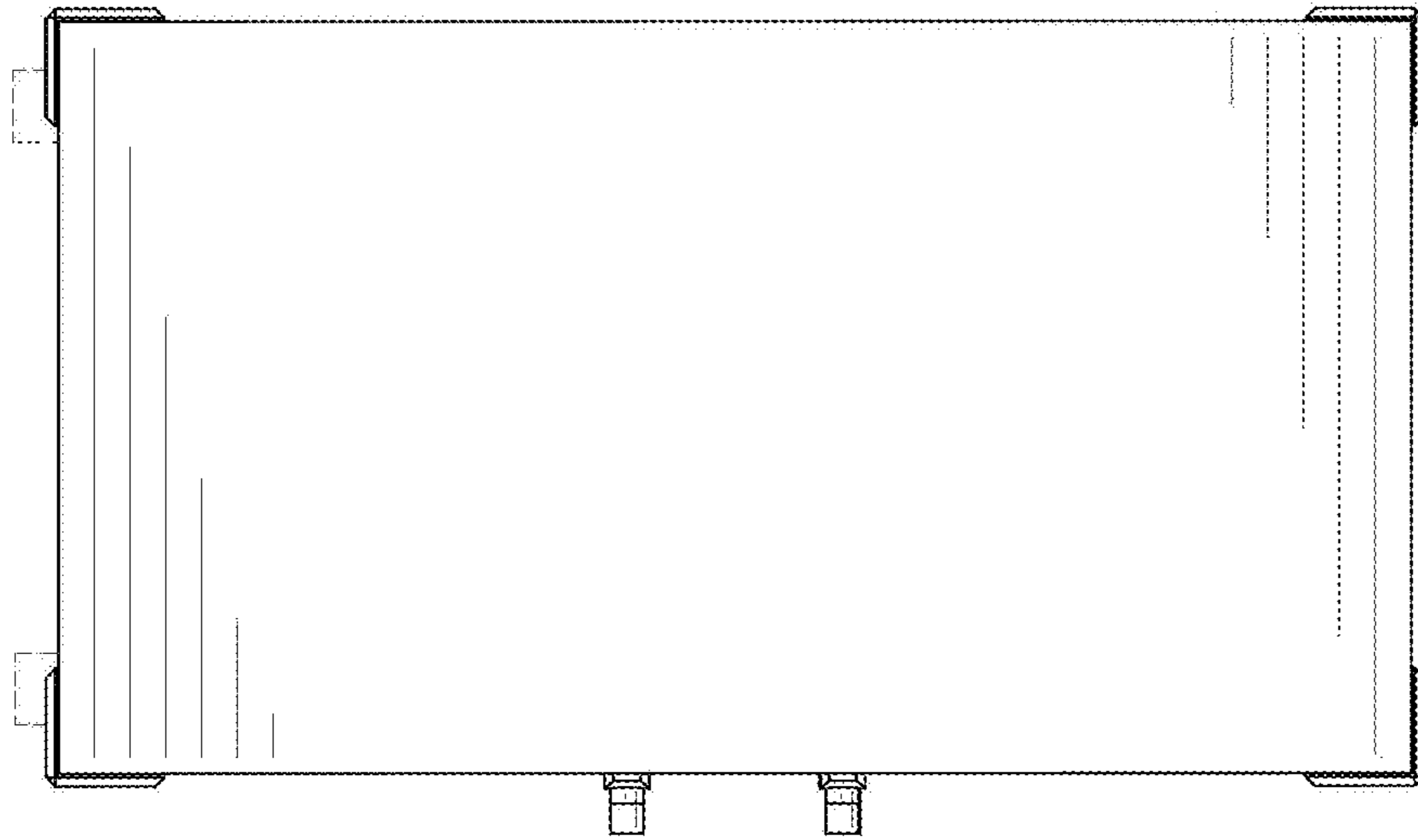


FIG. 7

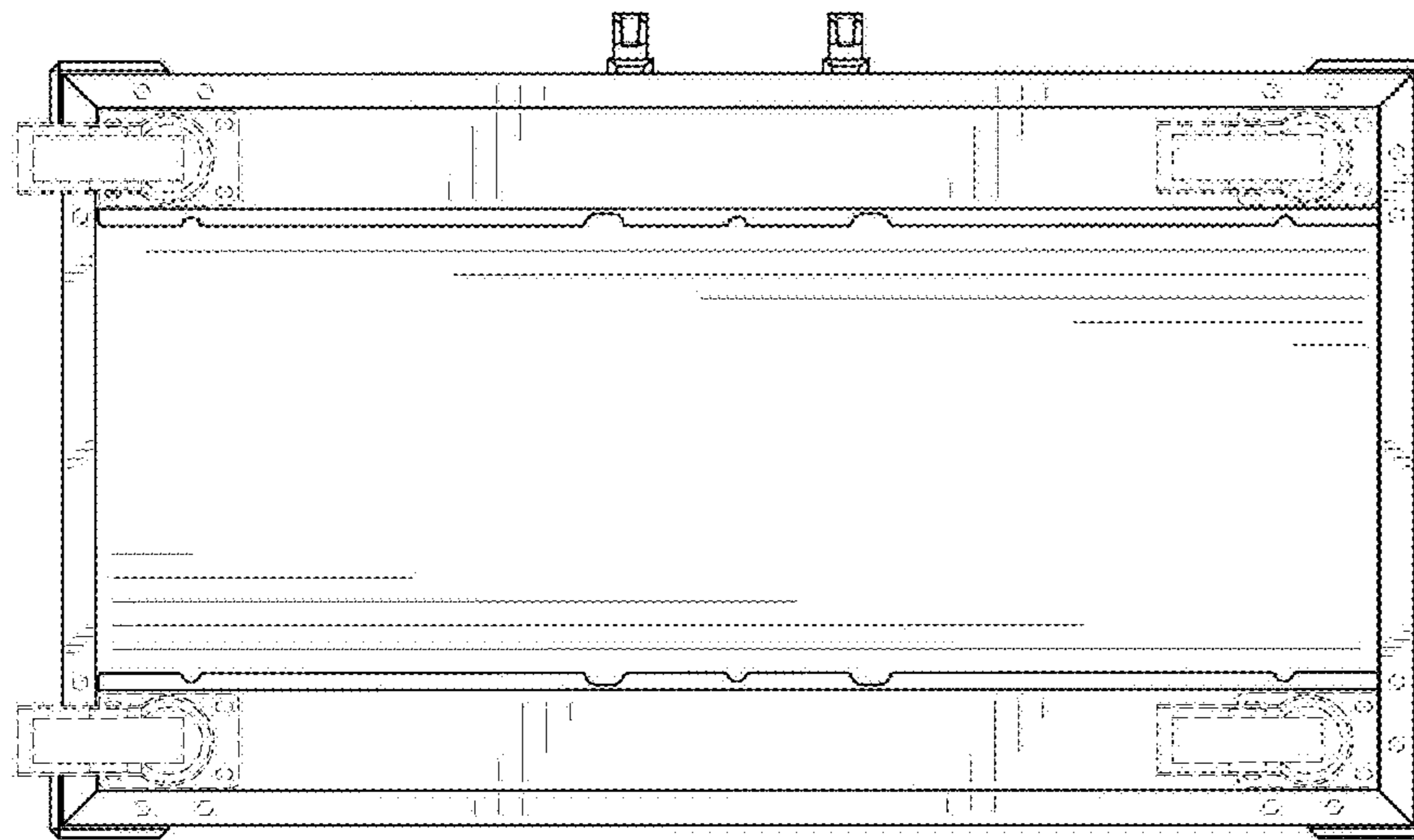


FIG. 8

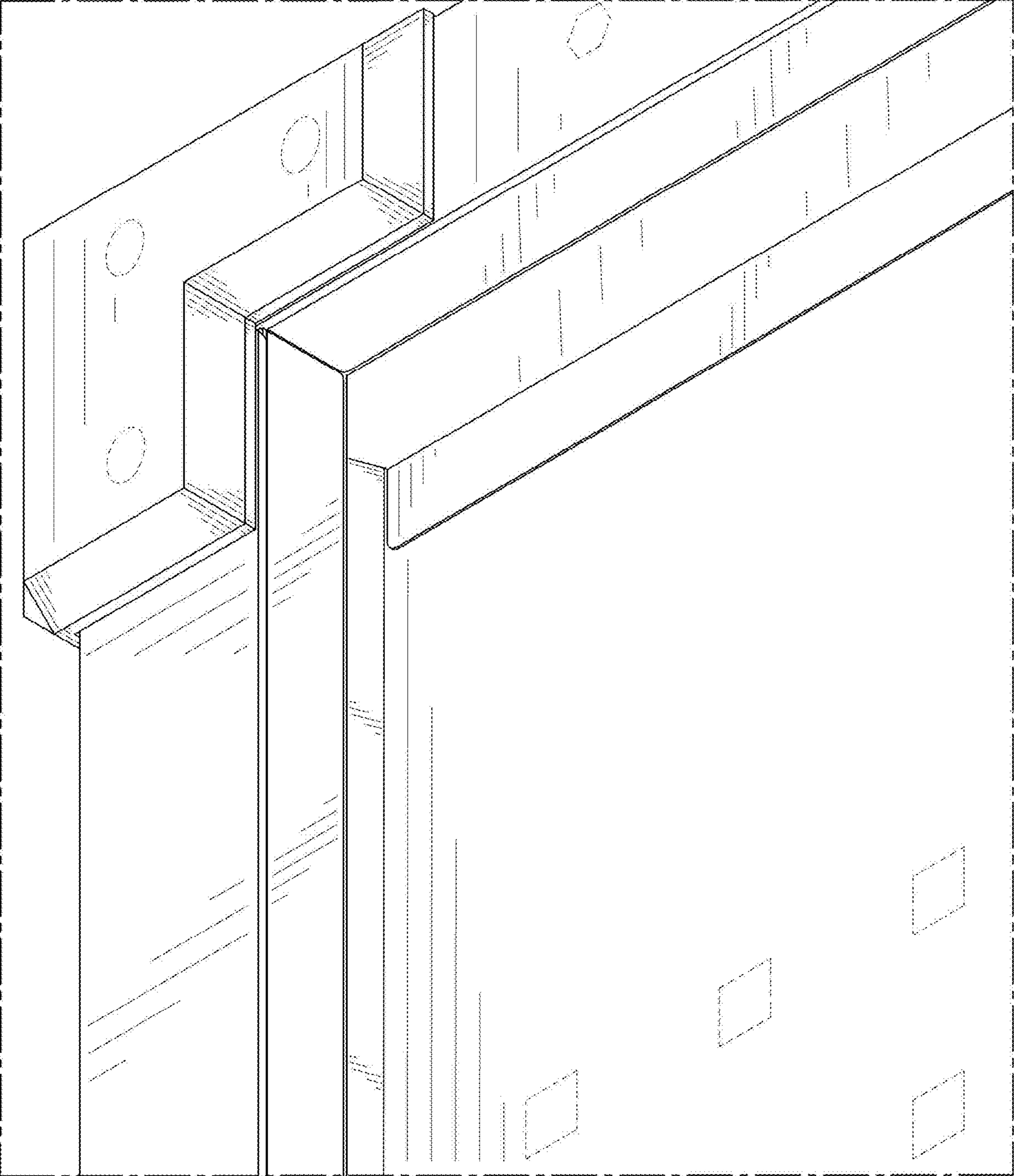


FIG. 9

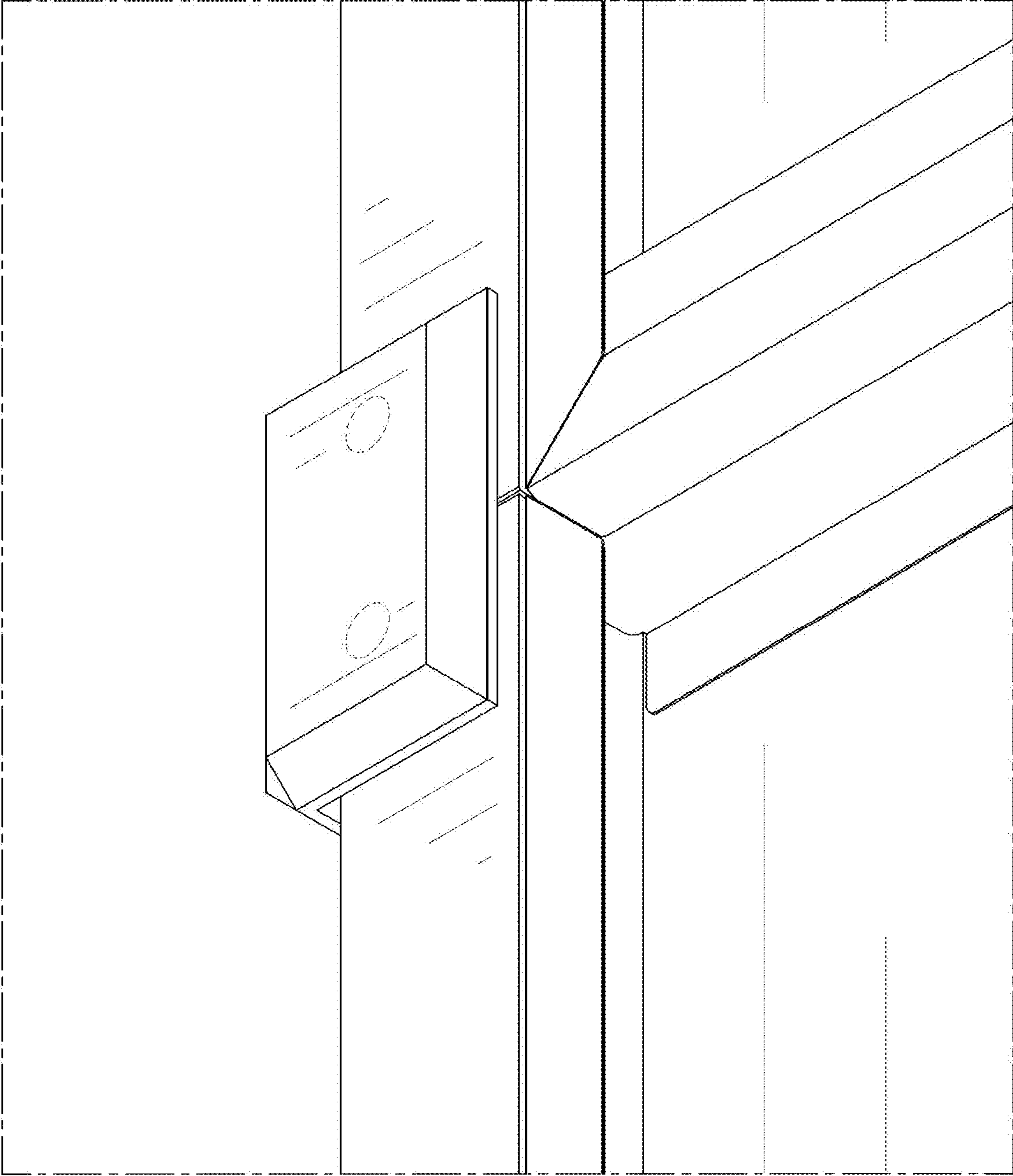


FIG. 10