



US00D986640S

(12) **United States Design Patent** (10) **Patent No.:** **US D986,640 S**
Roost et al. (45) **Date of Patent:** **** May 23, 2023**

(54) **MATTRESS BAG**

FOREIGN PATENT DOCUMENTS

(71) Applicant: **Better Habitat LLC**, Mahwah, NJ (US)

CN 304256528 9/2016
CN 304372514 5/2017

(72) Inventors: **Andrew Roost**, Fanwood, NJ (US); **Jeff Nelson**, Mahwah, NJ (US)

(Continued)

(73) Assignee: **BETTER HABITAT LLC**, Mahwah, NJ (US)

OTHER PUBLICATIONS

(**) Term: **15 Years**

(21) Appl. No.: **29/858,727**

(22) Filed: **Nov. 3, 2022**

TechCrunch: "Purple a Utah mattress startup . . .", article published Apr. 13, 2017, [online], [site visited Feb. 24, 2022]. Available from Internet, <URL:https://techcrunch.com/2017/04/13/purple-a-utah-mattress-startup-youve-probably-never-heard-of-is-on-track-to-unicorndom/ (Year: 2017).*

Related U.S. Application Data

(Continued)

(63) Continuation of application No. 29/668,049, filed on Oct. 26, 2018, now Pat. No. Des. 974,080.

Primary Examiner — Sanjeev Paul

(51) **LOC (14) Cl.** **06-09**

(74) *Attorney, Agent, or Firm* — Myers Wolin, LLC

(52) **U.S. Cl.**

USPC **D6/606**

(58) **Field of Classification Search**

USPC D6/595, 596, 601, 604, 605, 606, 607, D6/608, 609; 5/413 AM, 690, 706, 961, 5/716, 717, 718, 721, 495, 496, 497, 498, 5/499, 490, 491

(57)

CLAIM

CPC A47C 19/00; A47C 23/00; A47C 21/026; A47C 27/00; A47C 27/06; A47C 27/08; A47C 27/081; A47C 27/082; A47G 9/10; A47G 9/1009; A47G 9/1027; A47G 9/1045; A47G 9/1063; A47G 9/1072; A47G 9/1081; A47G 27/00; A47G 27/0225; A47G 27/0231; A47G 27/0275; A47G 27/0287

The ornamental design for a mattress bag, as shown and described.

See application file for complete search history.

DESCRIPTION

(56) **References Cited**

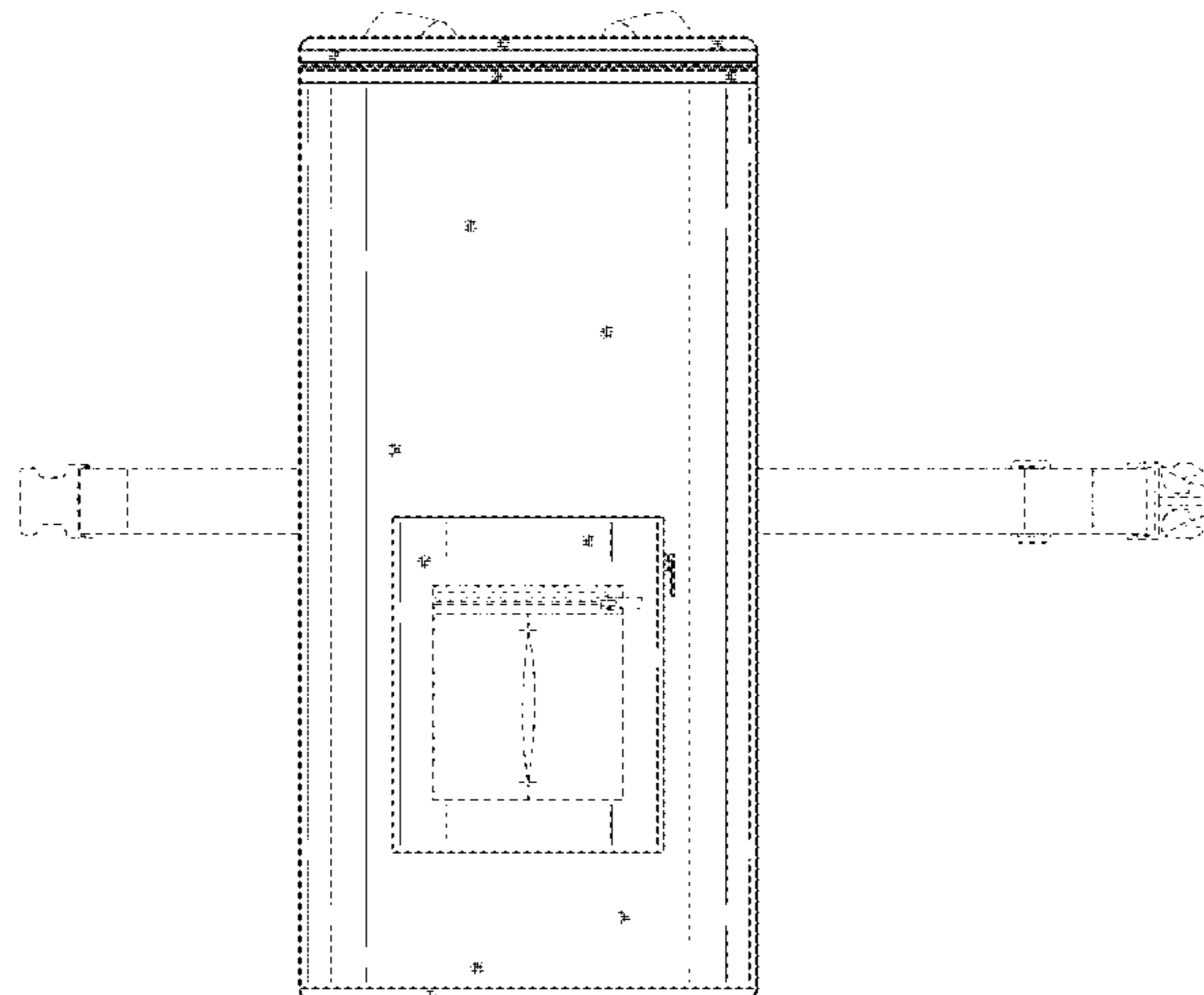
U.S. PATENT DOCUMENTS

1,949,677 A * 3/1934 Crawford B65D 81/3886 383/110
2,930,053 A * 3/1960 Nowels A47C 21/022 5/498
2,954,891 A * 10/1960 Imber B65D 81/3834 220/592.2

FIG. 1 is a front elevation view of a mattress bag showing our new design;
FIG. 2 is a rear elevation view thereof;
FIG. 3 is a top plan view thereof;
FIG. 4 is a bottom plan view thereof;
FIG. 5 is a left side elevation view thereof; and,
FIG. 6 is a right side elevation view thereof.
The broken lines shown in the drawings are included for the purpose of illustrating portions of the mattress bag that form no part of the claimed design.

(Continued)

1 Claim, 4 Drawing Sheets



(56)

References Cited

U.S. PATENT DOCUMENTS

3,019,952 A * 2/1962 Brewster A45C 3/00
294/142
3,092,848 A * 6/1963 Gronvold A47C 21/022
24/72.5
D307,811 S * 5/1990 Branco D3/289
D360,712 S * 7/1995 Bush D6/601
D368,160 S * 3/1996 Carretta D3/289
D386,929 S * 12/1997 Jaeger D6/607
D393,779 S * 4/1998 Cabey D7/607
5,735,608 A * 4/1998 Branco A45C 3/00
383/41
5,771,523 A * 6/1998 Rudolph A63B 55/408
15/209.1
D400,350 S * 11/1998 Minden D3/216
D403,155 S * 12/1998 Liu D3/289
D434,609 S * 12/2000 Yu D7/607
D449,441 S * 10/2001 Jackson D3/276
6,401,993 B1 * 6/2002 Andrino A45F 5/00
D3/229
D463,119 S * 9/2002 Kawai D3/276
D465,922 S * 11/2002 Davis D3/289
D476,477 S * 7/2003 DeChant D3/205
D529,285 S * 10/2006 Limber D3/289
D529,286 S * 10/2006 Limber D3/289
7,153,025 B1 * 12/2006 Jackson A45C 7/0059
383/110
D551,447 S * 9/2007 Ogawa D3/904
D576,433 S * 9/2008 Che D30/153
D577,483 S * 9/2008 Tagliati D3/202
D601,796 S * 10/2009 Banks D3/279
D620,708 S * 8/2010 Sanz D3/276
D699,031 S * 2/2014 Clavette D3/217
D740,550 S * 10/2015 Shabou D3/229
D740,551 S * 10/2015 Shabou D3/229
D740,552 S * 10/2015 Shabou D3/229
D740,565 S * 10/2015 Ludeman D3/307
D749,320 S * 2/2016 Slimane D3/232
D770,202 S * 11/2016 Scott-Gary D6/601
D773,809 S * 12/2016 Lieser D3/232
D778,082 S * 2/2017 Abbott D6/518
D778,083 S * 2/2017 Abbott D6/518
D779,227 S * 2/2017 Abbott D6/518
D784,731 S * 4/2017 Pearce D6/601
D786,555 S * 5/2017 Brungraber D3/902
D836,911 S * 1/2019 Soto-Camacho D3/304
D841,347 S * 2/2019 Kaufman D6/601
D848,736 S * 5/2019 Munoz D3/902
D852,492 S * 7/2019 Anderson D3/217
D853,725 S * 7/2019 Soto-Camacho D3/304
D875,394 S * 2/2020 Komatick D6/601
D901,176 S * 11/2020 Jusic D3/289
D928,532 S * 8/2021 Thrasher D6/601
D941,019 S * 1/2022 Wan
D970,217 S * 11/2022 Wu D3/285
D974,080 S * 1/2023 Roost D6/606
11,583,115 B2 * 2/2023 Willingham A47G 9/10
2006/0157366 A1 * 7/2006 Jamie A45C 5/08
206/389
2011/0181081 A1 * 7/2011 Williams A45C 9/00
2/24
2016/0345700 A1 * 12/2016 Amago A45C 7/0095

FOREIGN PATENT DOCUMENTS

CN 304256528 * 8/2017
CN 304372514 * 11/2017

OTHER PUBLICATIONS

Google Image Search: "Mattress Bag" [site visited Feb. 24, 2022]:
https://www.google.com/search?q=mattress+bag&sxsrf=APq-WBujHlon90PbZD5fxAR8yp_bzCN2iw:1645732065748&source=lnms&tbm=isch&sa=X&ved=2ahUKEwiawrHZjZn2AhUDhHIEHWIXDYwQ_AUoAnoECAEQBA&biw=1920&bih=937&dpr=1 (Year: 2022).*

Google Image Search: "mattress in a bag" [site visited Feb. 24, 2022]:
https://www.google.com/search?q=mattress+in+a+bag&sxsrf=APq-WBvh7BES6kbc2aWnOIVDUBjQf3gbdA:1645732053450&source=lnms&tbm=isch&sa=X&ved=2ahUKEwi9oMPTjZn2AhWmp3IEHeHGDFsQ_AUoAnoECAEQBA&biw=1920&bih=937&dpr=1 (Year: 2022).*

Google Image Search: "Purple mattress gag" [site visited Feb. 24, 2022]:
https://www.google.com/search?q=purple+mattress+bag&sxsrf=APq-WBsxFD9qe6Av8KASTpS0qDmimWWV1g:1645732102226&source=lnms&tbm=isch&sa=X&ved=2ahUKEwiksOTqjZn2AhX2I3IEHRqFDDsQ_AUoAXoECAEQAw&biw=1920&bih=937&dpr=1 (Year: 2022).*

Better Habitat SleepReady Floor Bed, earliest pictured review Aug. 19, 2020, [online], [site visited Feb. 24, 2022]. Available from Internet, <URL:<https://www.amazon.com/Better-Habitat-CertiPUR-US-SleepReady-Waterproof/dp/B07V5WP9K2?th=1>> (Year: 2020).*

TechCrunch: "Purple, a Utah mattress startup . . .", article published Apr. 13, 2017, [online]; Available from Internet, URL: <https://techcrunch.com/2017/04/13/purple-a-utah-mattress-startup-youve-probably-never-hear-of-is-on-track-to-unicordom/> (Year: 2017).

Google Image Search: "Mattress Bag"; https://www.google.com/search?q=mattress+bag&sxsrf=APq-WBujHlon90PbZD5fxAR8yp_bzCN2iw:1645732065748&source=lnms&tbm=isch&sa=X&ved=2ahUKEwi9oMPTjZn2AhWmp3IEHeHGDFsQ_AUoAnoECAEQBA&biw=1920&bih=937&dpr=1 (Year: 2022).

Google Image Search: "mattress in a bag" (Year: 2022); https://www.google.com/search?q=mattress+in+a+bag&sxsrf=APq-WBvh7BES6kbc2aWnOIVDUBjQf3gbdA:1645632053450&source=lnms&bms=isch&sa=X&ved=2ahUKEwi9oMPTjZn2AhWmp3IEHeHGDFsQ_AUoAnoECAEQBA&biw=1920&bih=937&dpr=1 (Year: 2022).

Google Image Search: "Purple mattress bag" (Year: 2022); https://www.google.com/search?q=purple+mattress+bag&sxsrf=APq-WBsxFD9qe6Av8KAsTpS0qDmimWWV1g:1645732102226&source=lnms*tbm=isch&sa=X&ved=2ahUKEwiksOTqjZn2AhX2I3IEHRqFDDsQ_AUoAXoECAEQAw&biw=1920&bih=937&dpr=1 (Year: 2022).

Better Habitat SleepReady Floor Bed, earliest pictured review Aug. 19, 2020; <https://www.amazon.com/Better-Habitat-CertiPUR-US-SleepReady-Waterproof/dp/B07V5WP9K2?th=1> (Year: 2020).

* cited by examiner

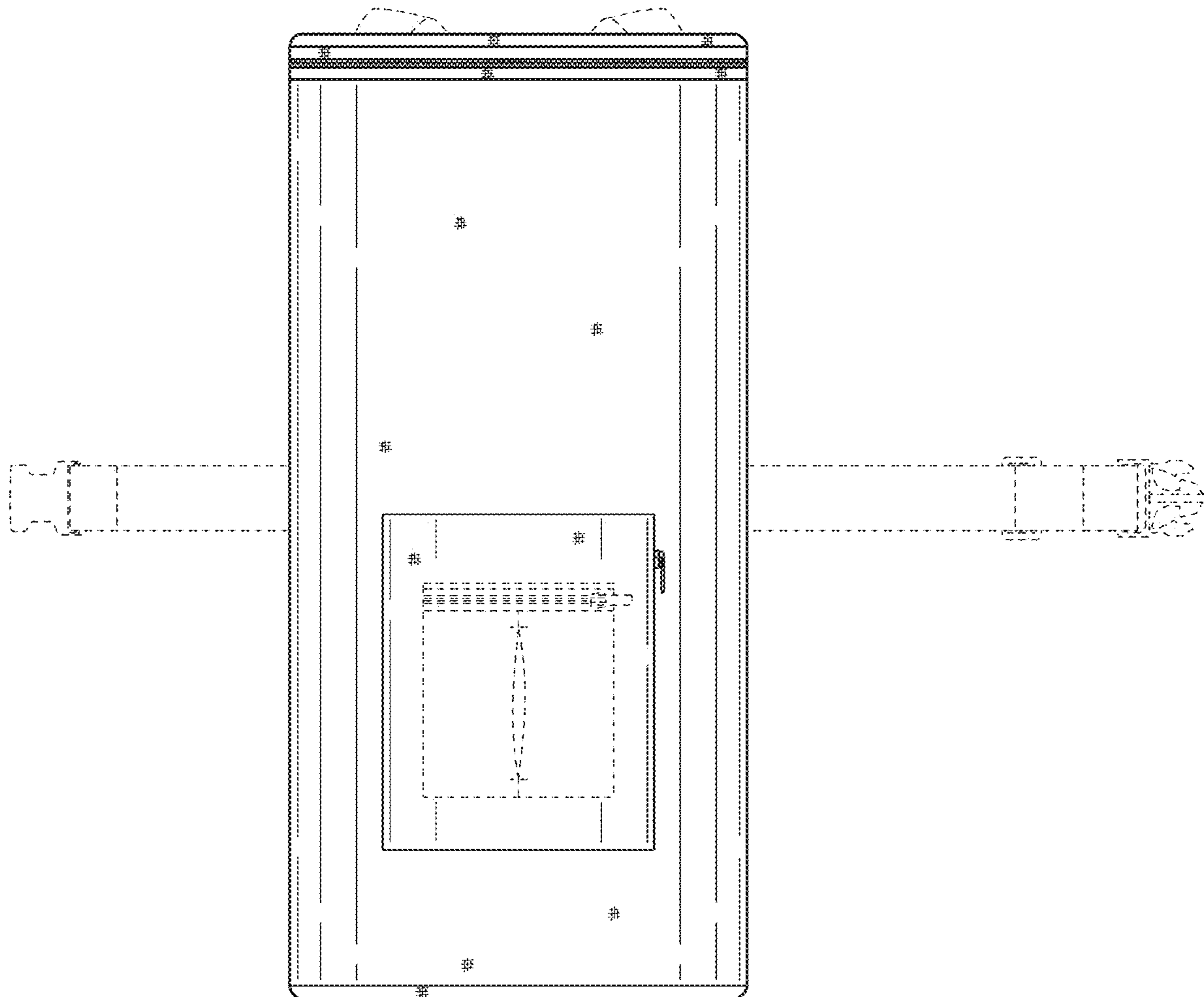


FIG. 1

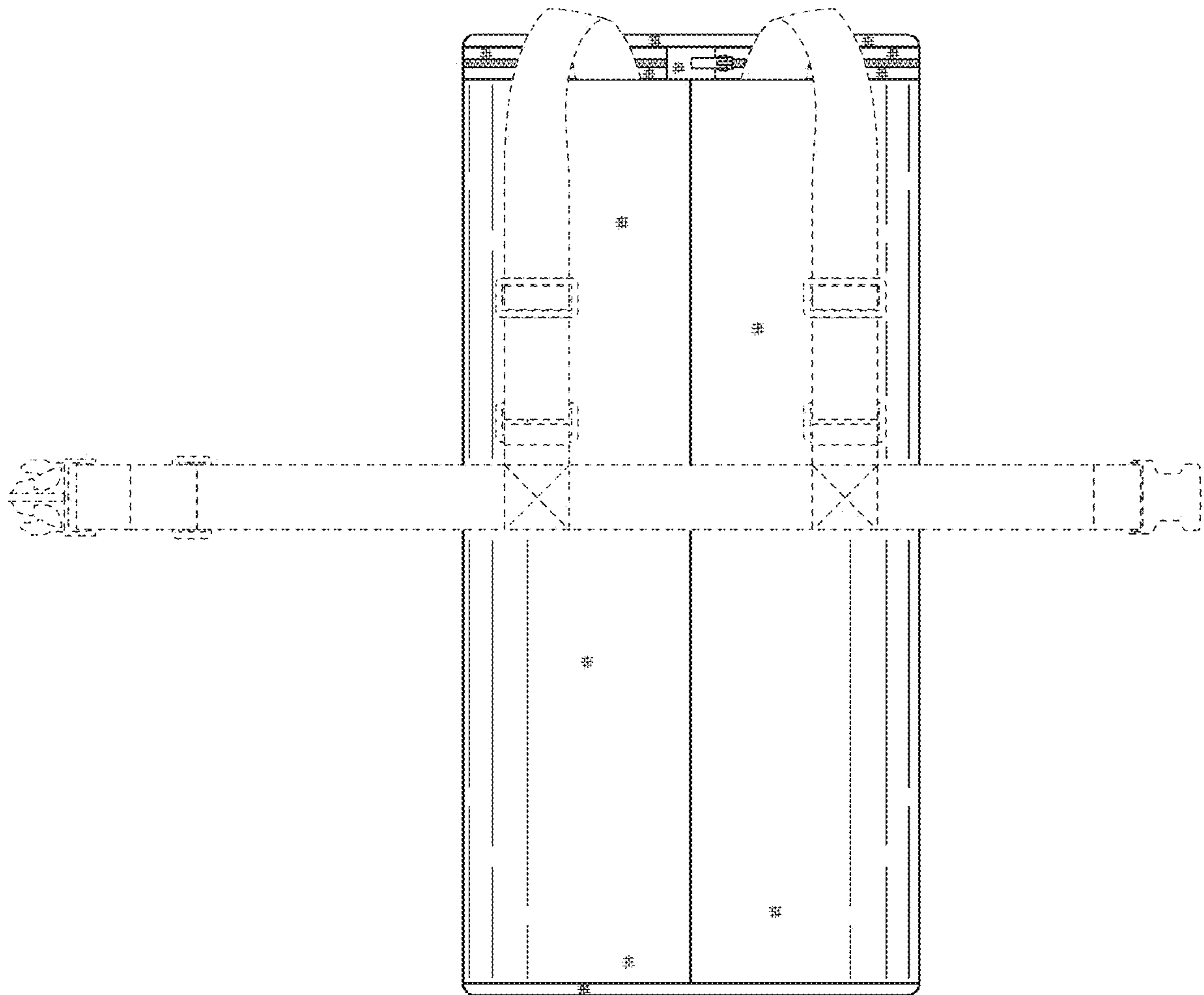


FIG. 2

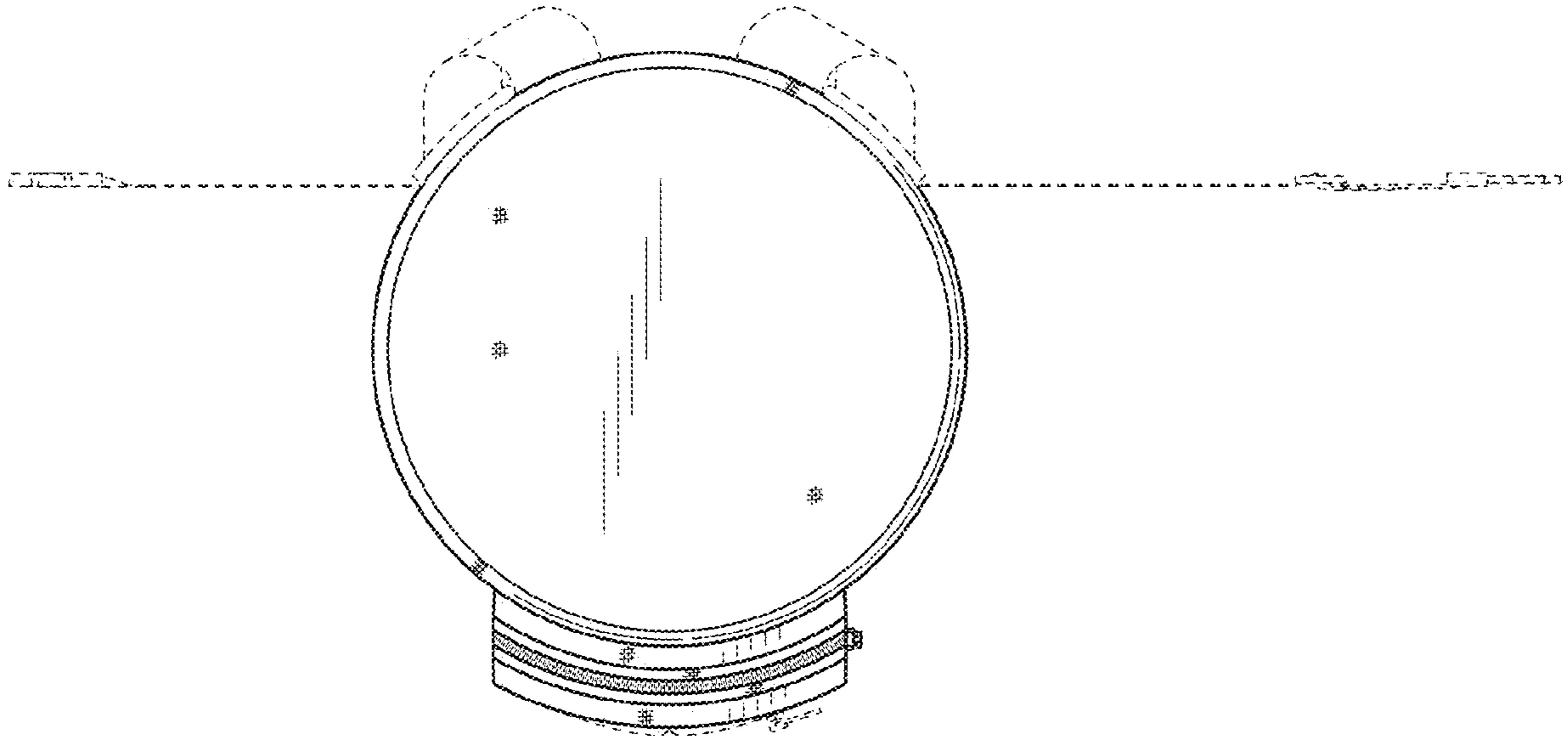


FIG. 3

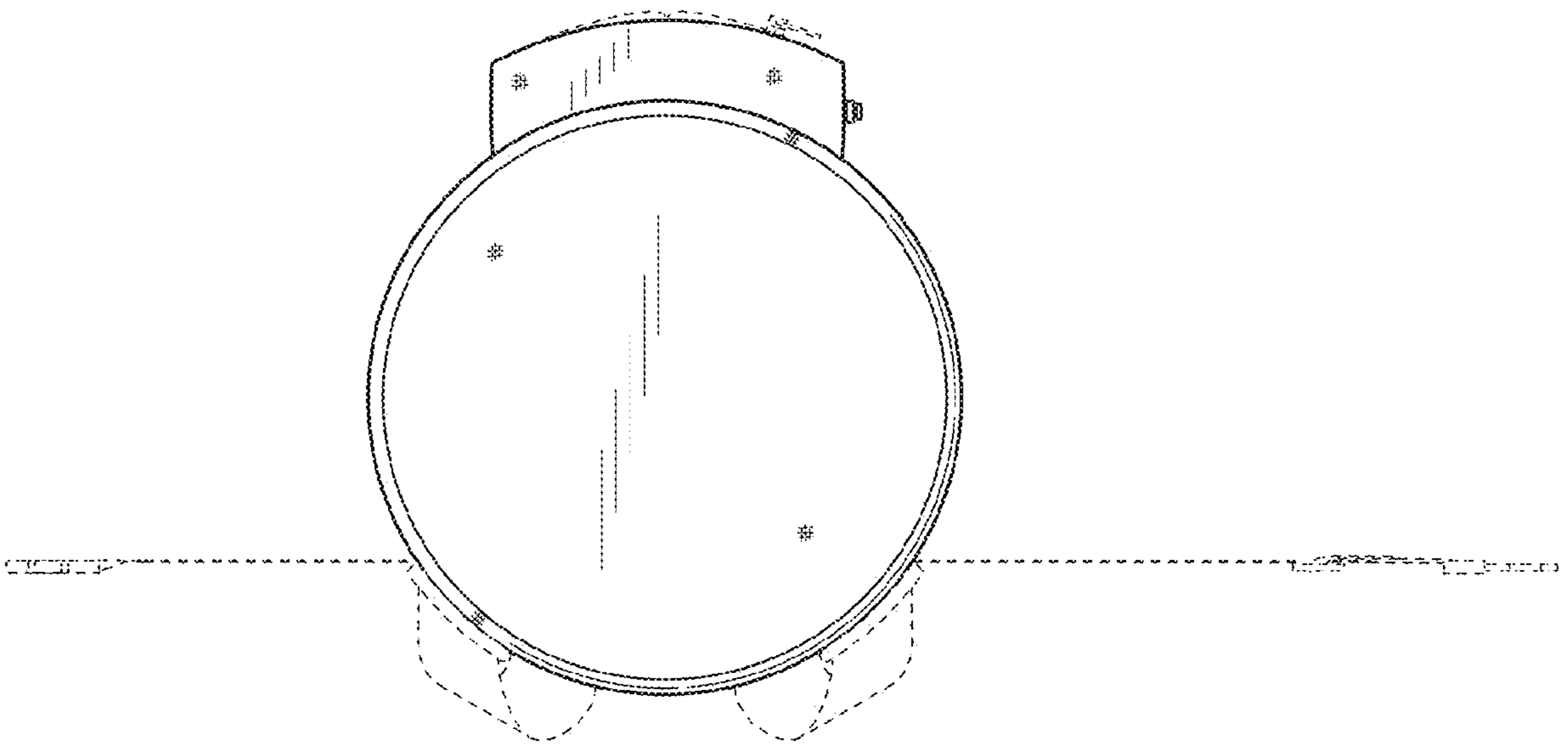


FIG. 4

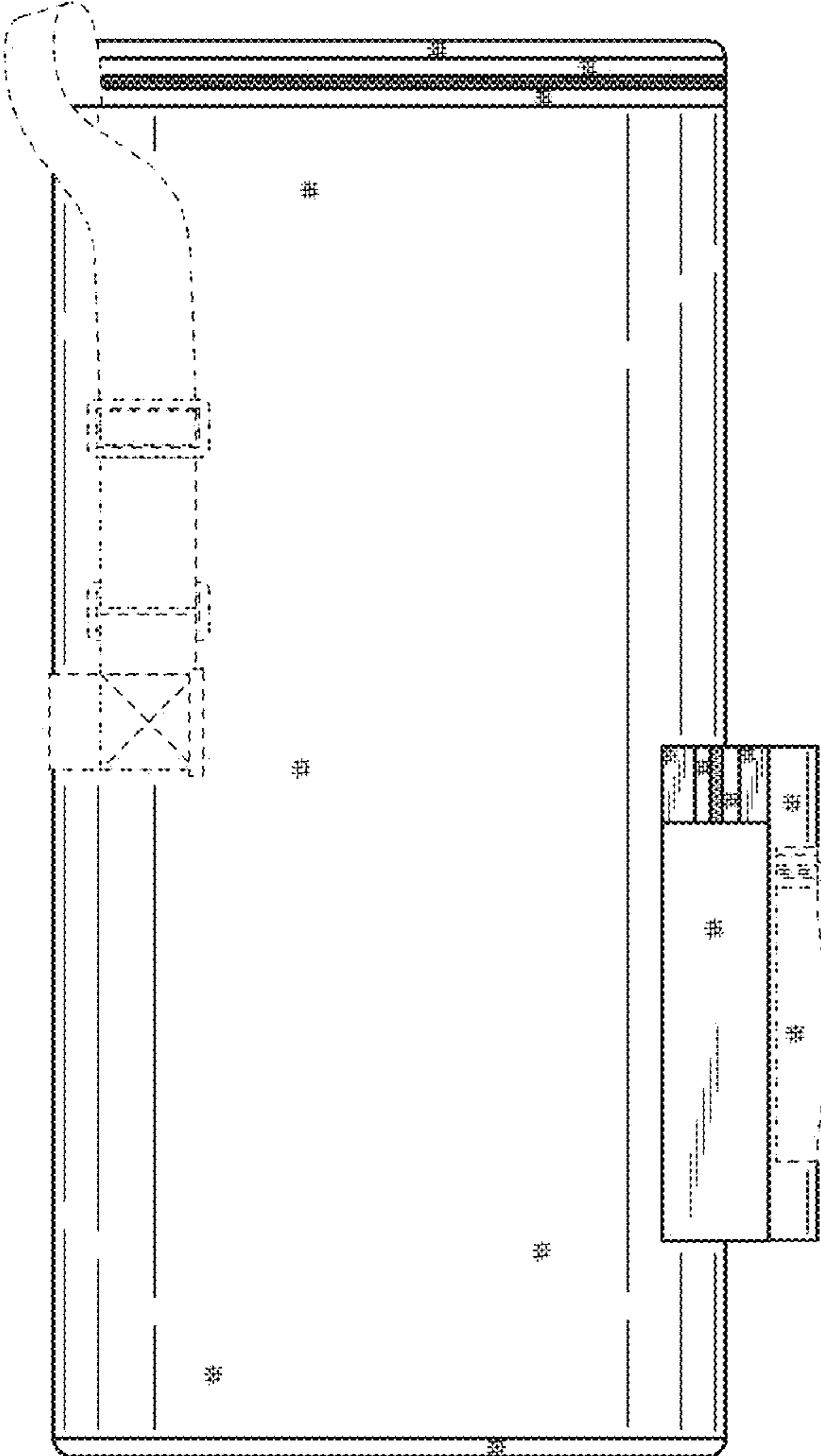


FIG. 5

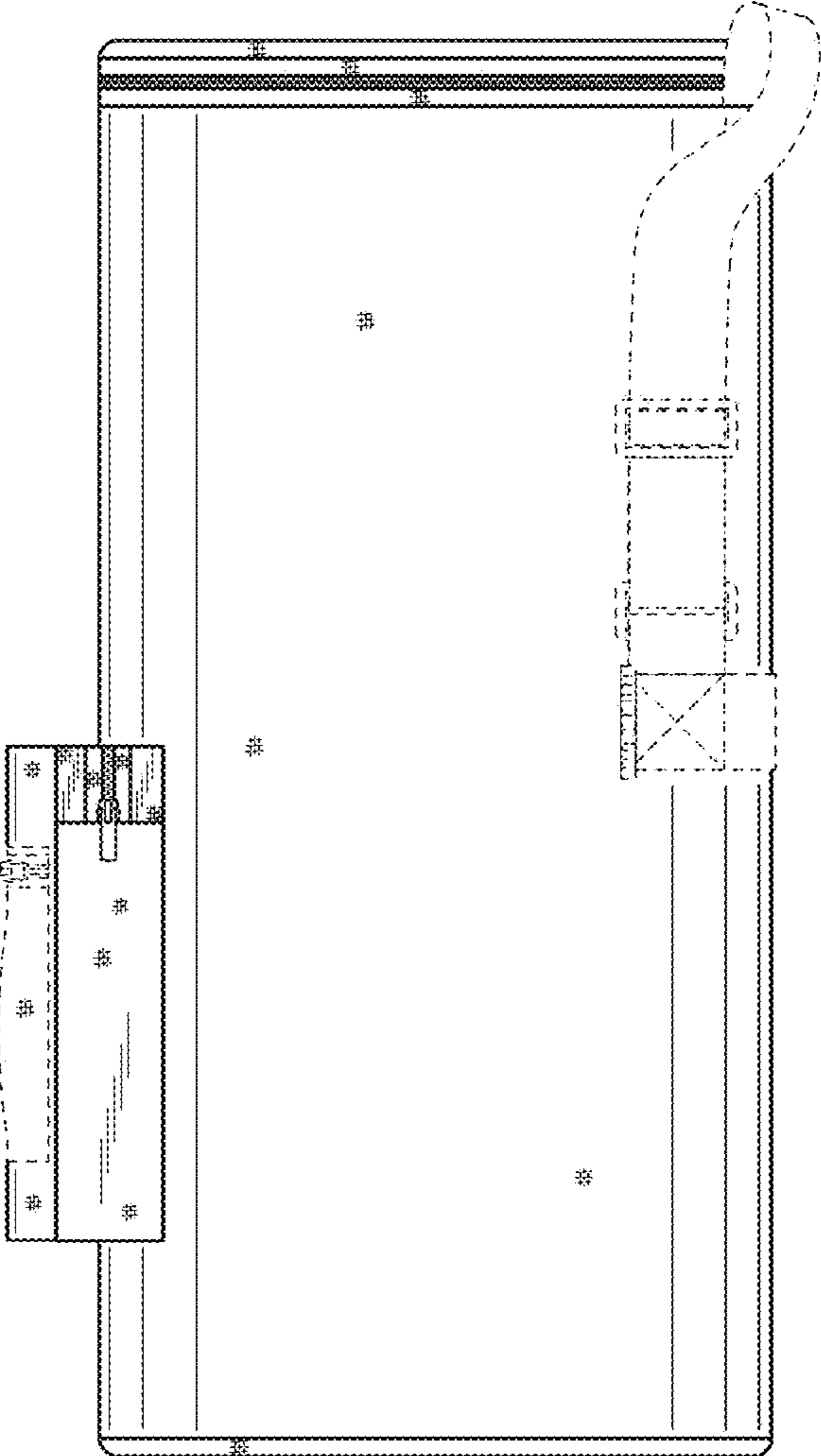


FIG. 6