



US00D986635S

(12) **United States Design Patent** (10) **Patent No.:** **US D986,635 S**
Xia (45) **Date of Patent:** **** May 23, 2023**

(54) **CUSHION**

FOREIGN PATENT DOCUMENTS

(71) Applicant: **Lijun Xia**, Guangdong (CN)

CN 306146895 * 11/2020
CN 306288125 * 1/2021

(72) Inventor: **Lijun Xia**, Guangdong (CN)

(Continued)

(**) Term: **15 Years**

OTHER PUBLICATIONS

(21) Appl. No.: **29/820,177**

Google Term Search: 'Cushion', [site visited Jan. 28, 2023] <URL:
https://www.google.com/search?q=cushion&sxsrf=
AJQqIzX5CGUtGGEGXarJ6sujzZI9Ice_jg:1674938162857&source=
Inms&tbm=isch&sa=X&ved=
2ahUKEwjM197xjuv8AhVgD1kFHePnDCYQ_AUoAnoECAEQBA
&biw=1920&bih=937&dpr=1> (Year: 2023).*

(22) Filed: **Dec. 20, 2021**

(Continued)

(51) **LOC (14) Cl.** **06-09**

(52) **U.S. Cl.**
USPC **D6/601**

(58) **Field of Classification Search**
USPC D6/595, 596, 604, 605, 606, 601
See application file for complete search history.

Primary Examiner — Sanjeev Paul
(74) *Attorney, Agent, or Firm* — Che-Yang Chen; Law
Office of Michael Chen

(56) **References Cited**

U.S. PATENT DOCUMENTS

D595,986 S *	7/2009	Kloes	D6/601
D618,030 S *	6/2010	Wang	D6/601
D637,439 S *	5/2011	Mettler	D6/601
D637,440 S *	5/2011	Mettler	D6/601
D731,816 S *	6/2015	Edgemon	D6/601
D780,485 S *	3/2017	Goddard	D6/601
D805,323 S *	12/2017	Chan	D6/601
D812,931 S *	3/2018	Chen	D6/601
D836,363 S *	12/2018	Cornelius	D6/601
D845,033 S *	4/2019	Berg	D6/601
D848,765 S *	5/2019	Chen	D6/601
D863,822 S *	10/2019	Chen	D6/601
D875,435 S *	2/2020	Vertuca, III	D6/601
D880,194 S *	4/2020	Chen	D6/601
D883,714 S *	5/2020	Comercio	D6/601
D896,551 S *	9/2020	Terndrup	D6/601
D898,438 S *	10/2020	Kim	D6/601
D898,447 S *	10/2020	Xu	D6/601
D911,071 S *	2/2021	Yu	D6/601
D920,715 S *	6/2021	Terndrup	D6/601
D922,797 S *	6/2021	Liu	D6/601
D933,398 S *	10/2021	Bellot	D6/601
D939,865 S *	1/2022	Wang	D6/601
D944,562 S *	3/2022	Cai	D6/601

(Continued)

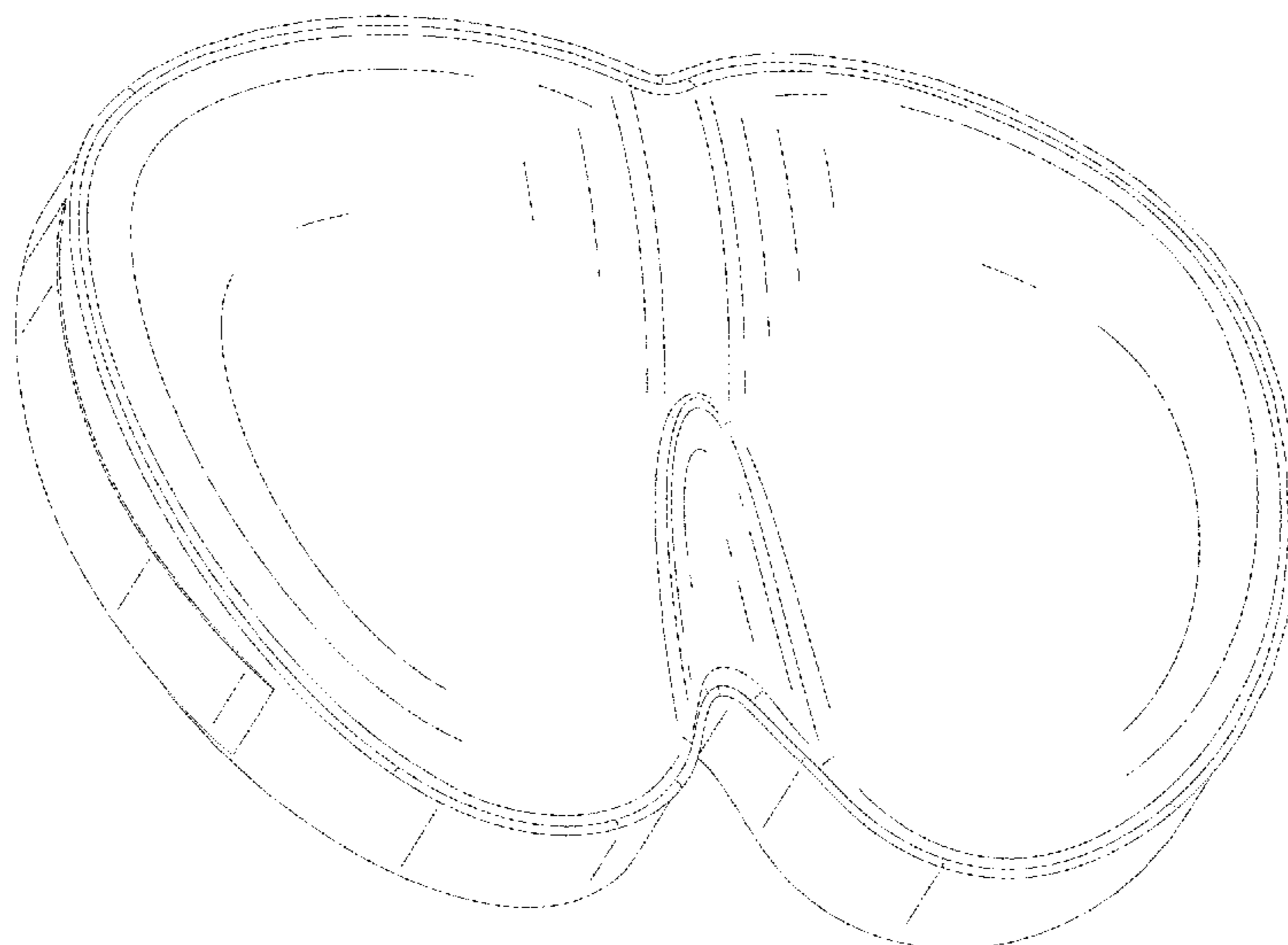
(57) **CLAIM**

The ornamental design for a cushion, as shown and described.

DESCRIPTION

FIG. 1 is a perspective view of the cushion showing my new design;
FIG. 2 is a perspective view thereof from another angle;
FIG. 3 is a front elevational view thereof;
FIG. 4 is a rear elevational view thereof;
FIG. 5 is a left side elevational view thereof;
FIG. 6 is a right side elevational view thereof;
FIG. 7 is a top plan view thereof;
FIG. 8 is a bottom plan view thereof; and,
FIG. 9 is an enlarged view of a portion indicated with numeric 9 in FIG. 2.

1 Claim, 9 Drawing Sheets



(56)

References Cited

U.S. PATENT DOCUMENTS

D970,259 S * 11/2022 Wang D6/601
2012/0073056 A1* 3/2012 Freund A47G 9/10
5/639
2015/0108802 A1* 4/2015 Krishtul A47C 7/029
297/283.1

FOREIGN PATENT DOCUMENTS

CN 306333395 * 2/2021
CN 306709442 * 7/2021
CN 307273081 * 4/2022
CN 307440266 * 7/2022
CN 307473916 * 7/2022
CN 307535810 * 9/2022
CN 307656834 * 11/2022
GB 6251237 * 12/2022
JP D1701651 * 12/2021
JP D1701811 * 12/2021
JP D1702329 * 12/2021
KR 301057973.0000 * 5/2020

OTHER PUBLICATIONS

Google Term Search: 'Seat Cushion', [site visited Jan. 28, 2023]
<URL:https://www.google.com/search?q=seat+cushion&sxsrf=AJOql
zV90N6t4jPQXFERZiU3XL8F3zPPUw:1674938220828&source=
lnms&tbm=isch&sa=X&ved=2ahUKEwjh_7CNj-v8AhWHGikFHR_
kAqgQ_AUoAnoECAEQBA&biw=1920&bih=937&dpr=1> (Year:
2023).*

* cited by examiner

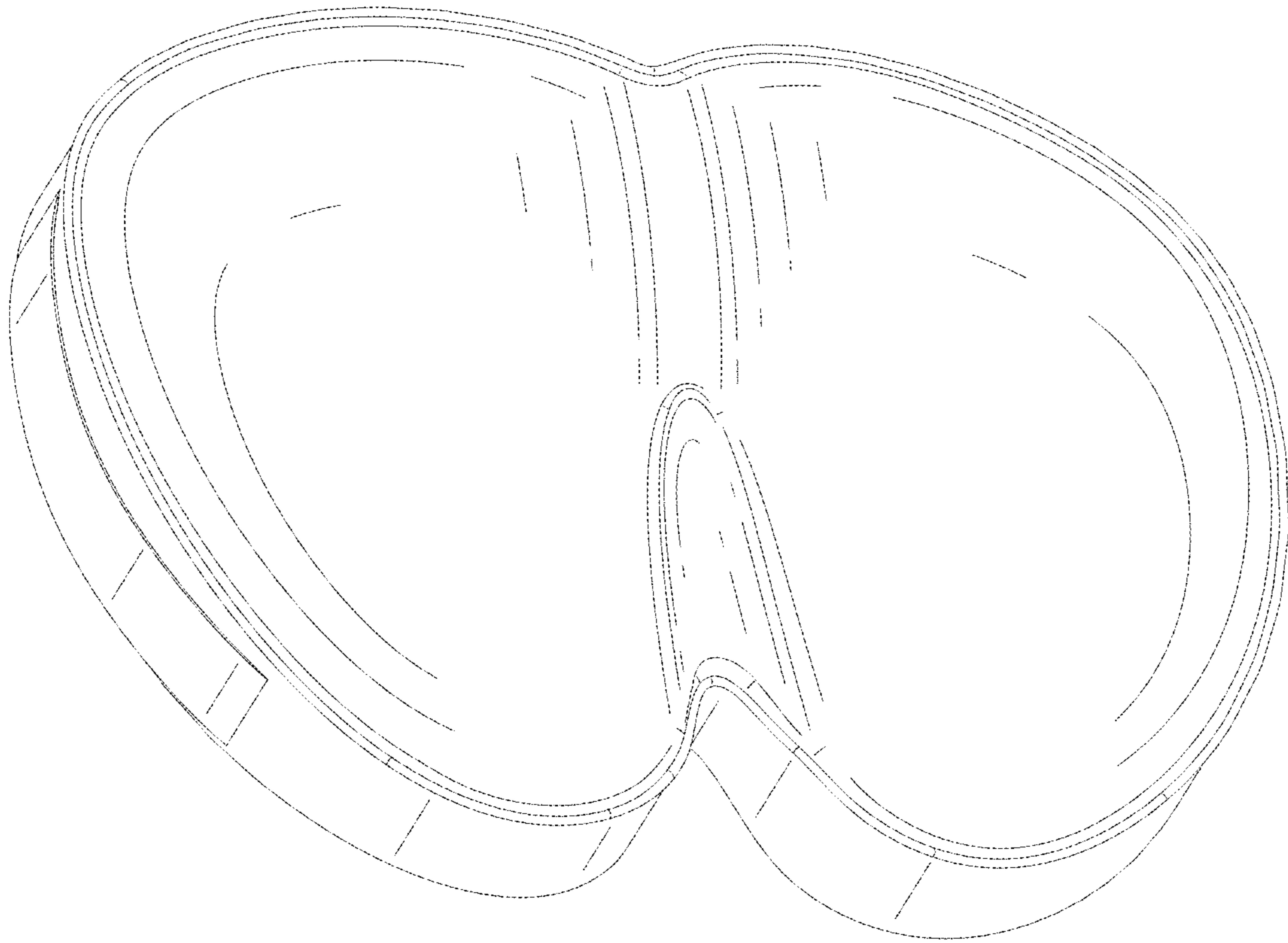


FIG. 1

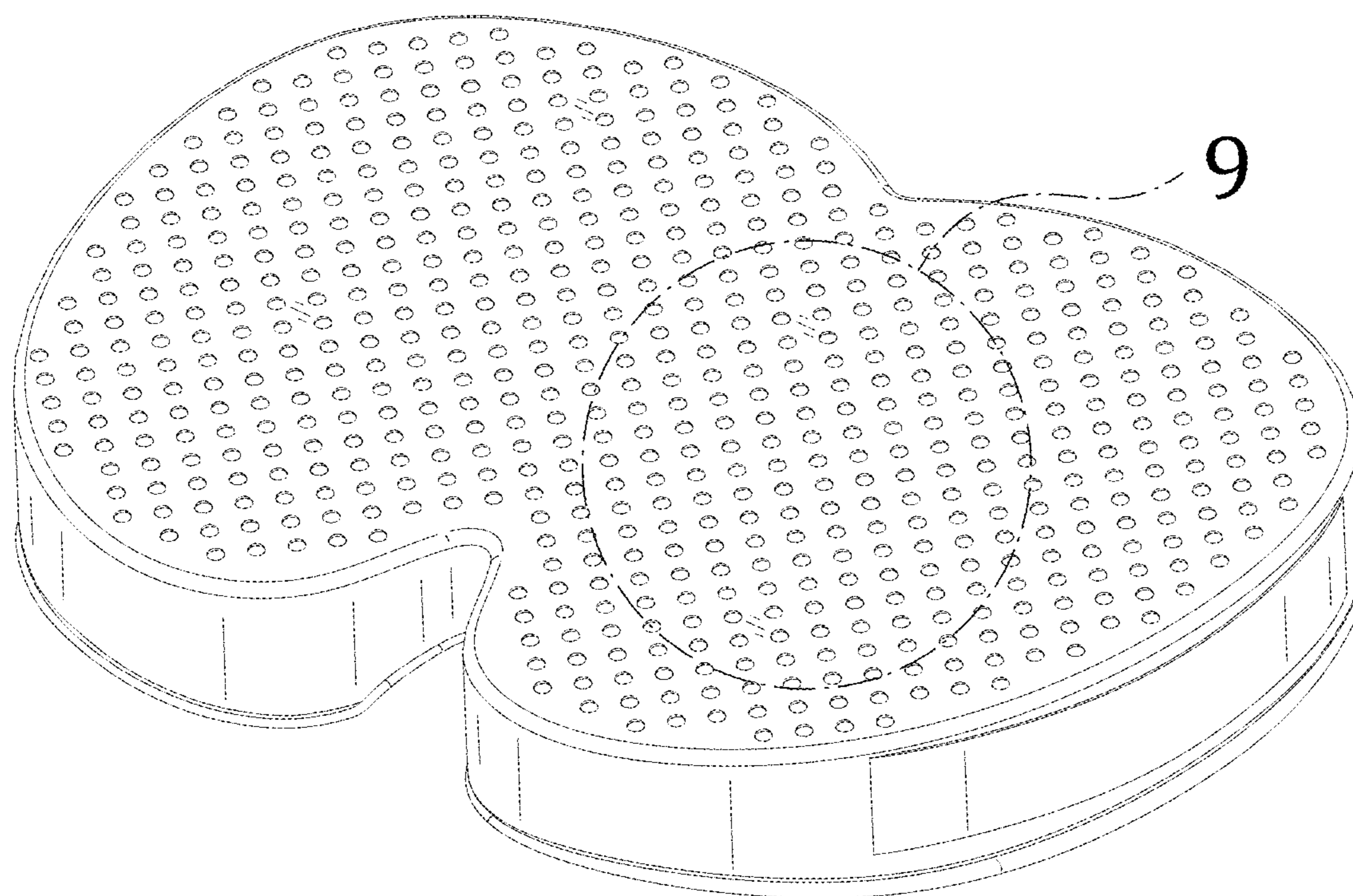


FIG. 2

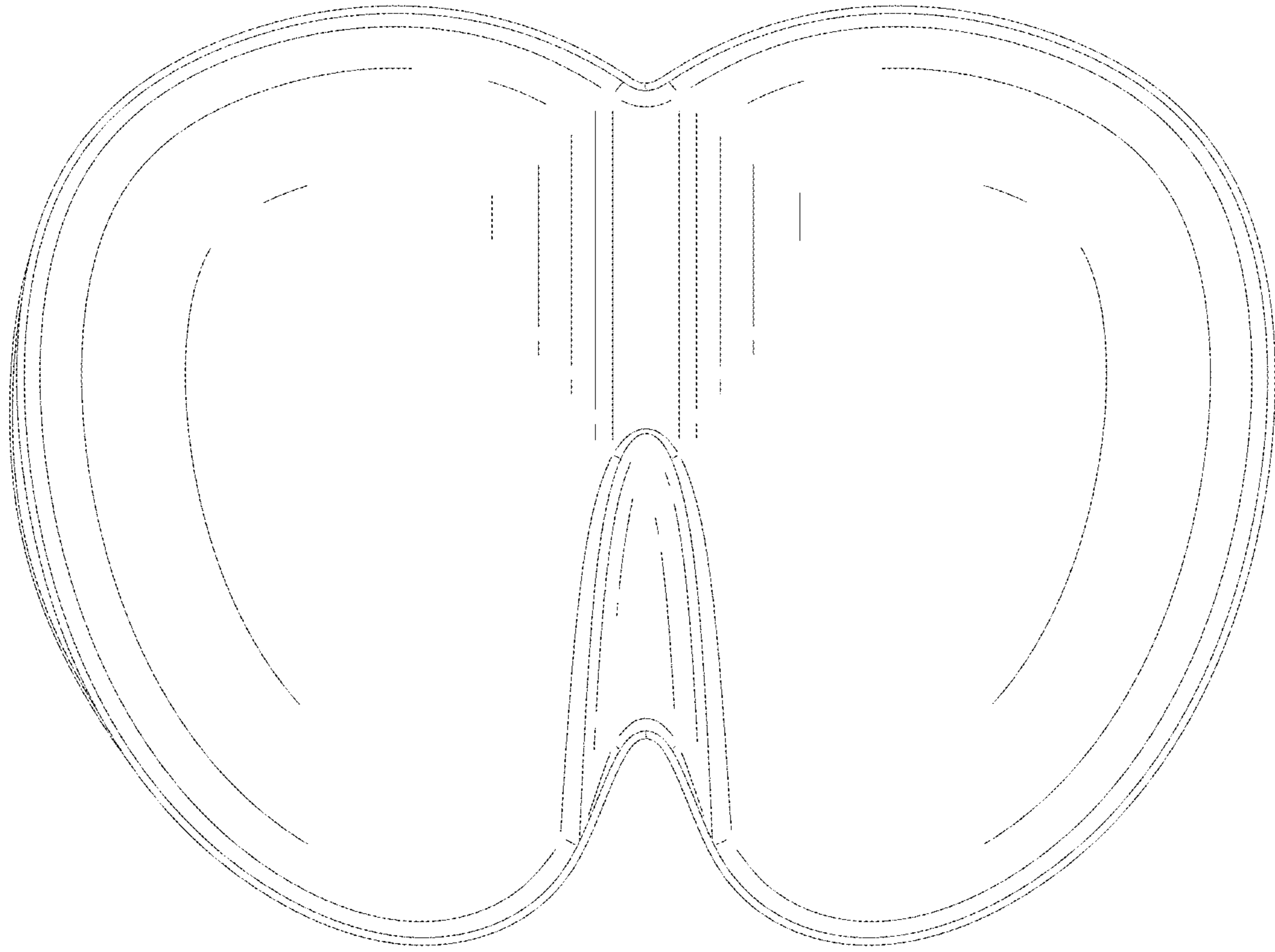


FIG. 3

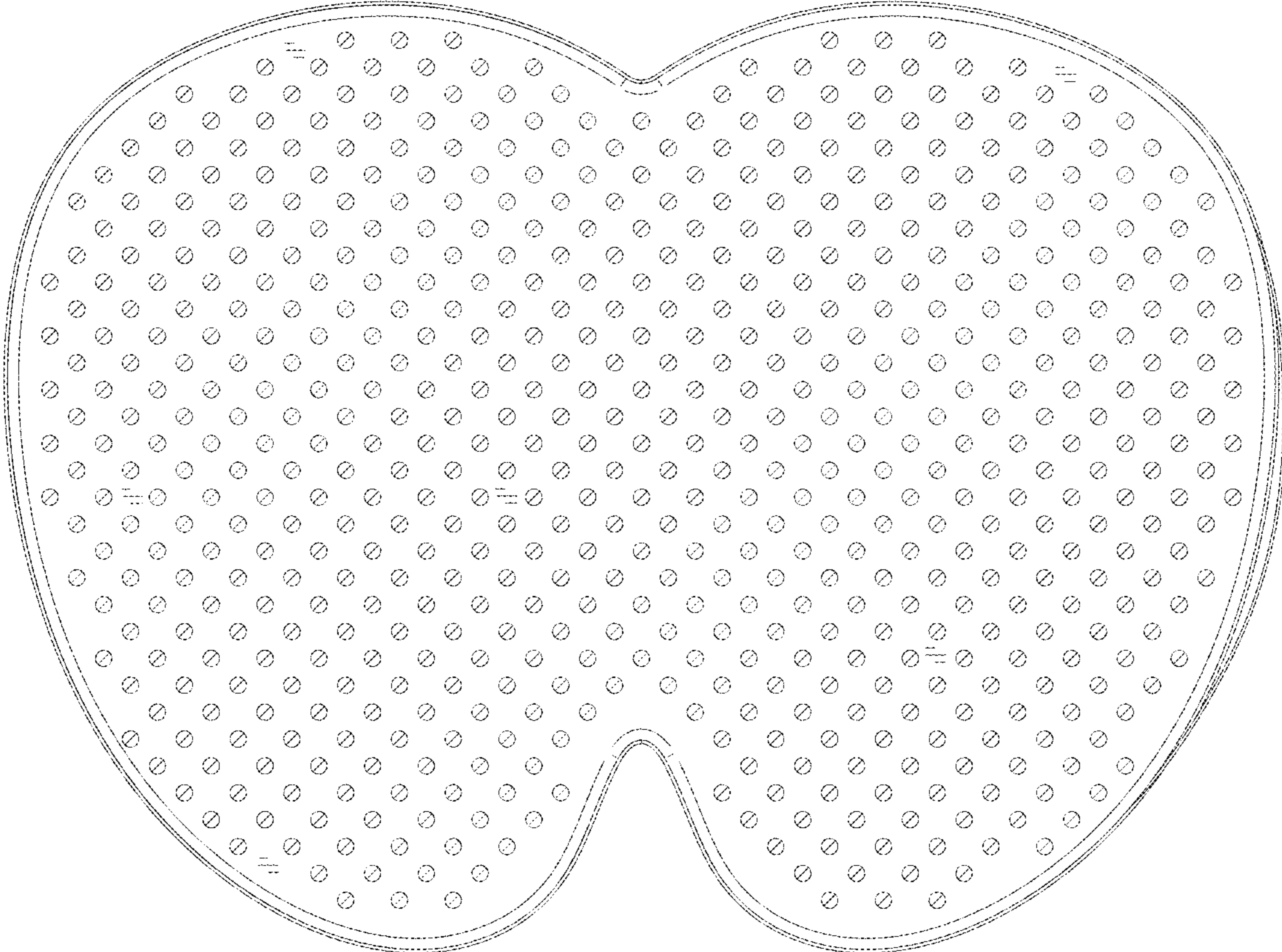


FIG. 4

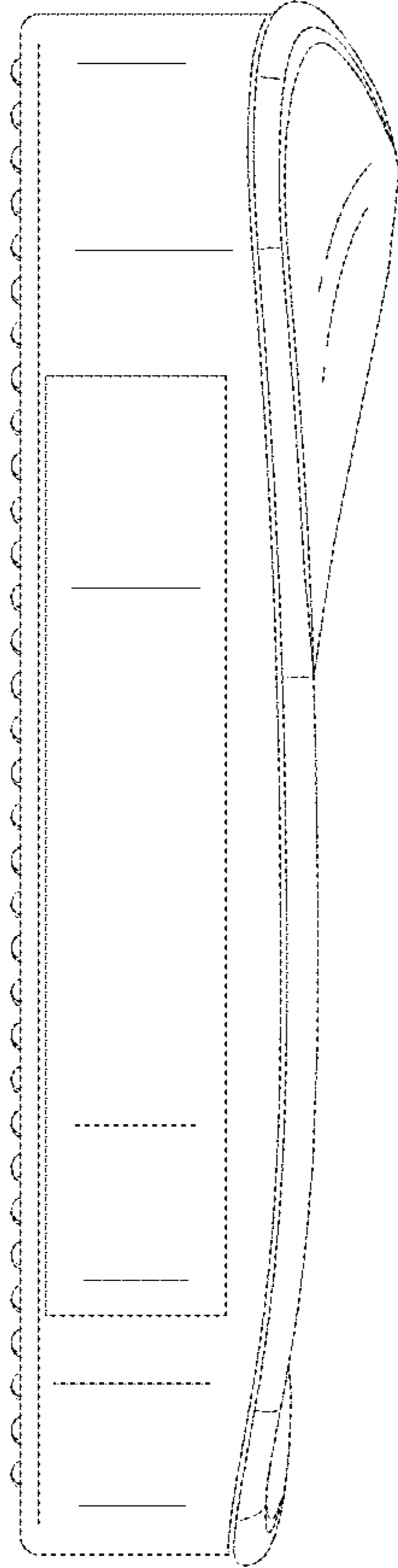


FIG. 5

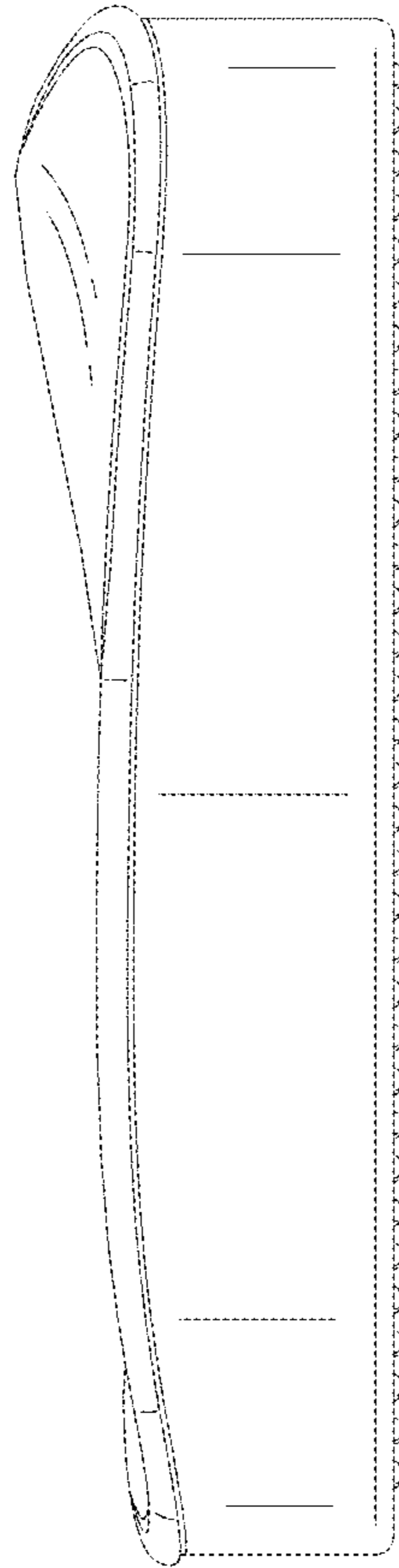


FIG. 6

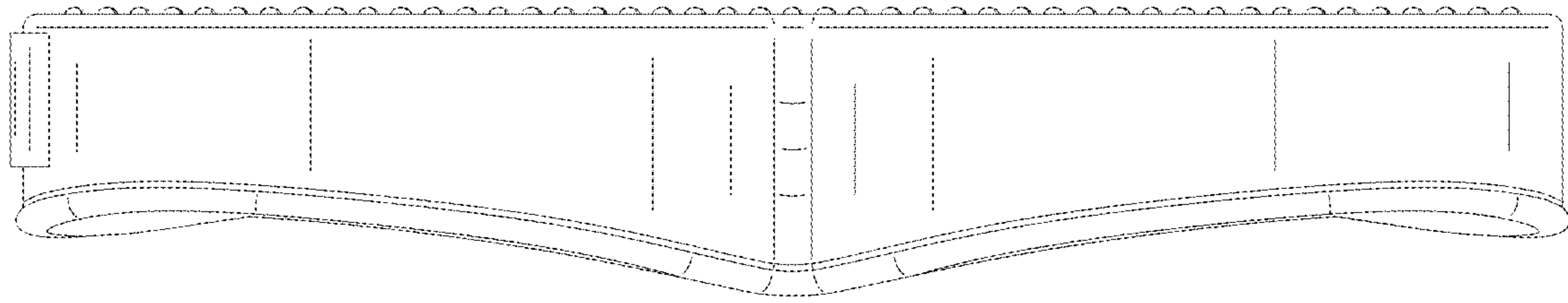


FIG. 7

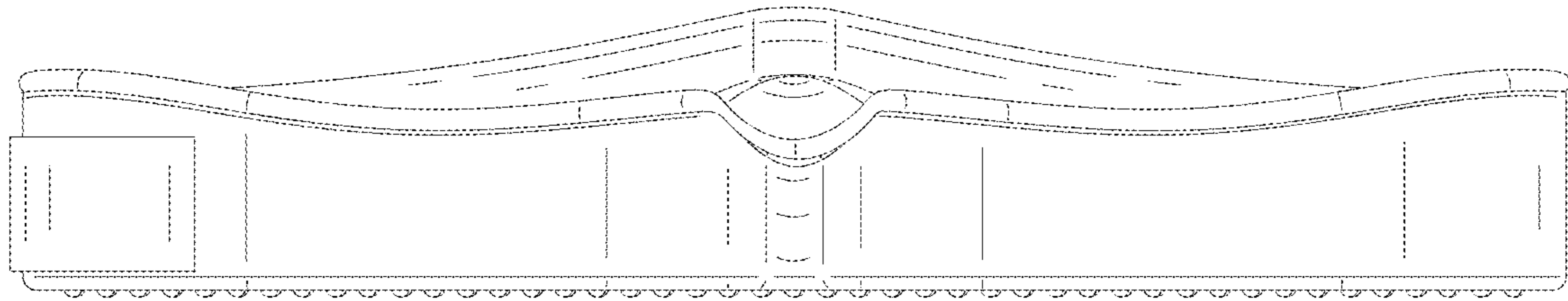


FIG. 8

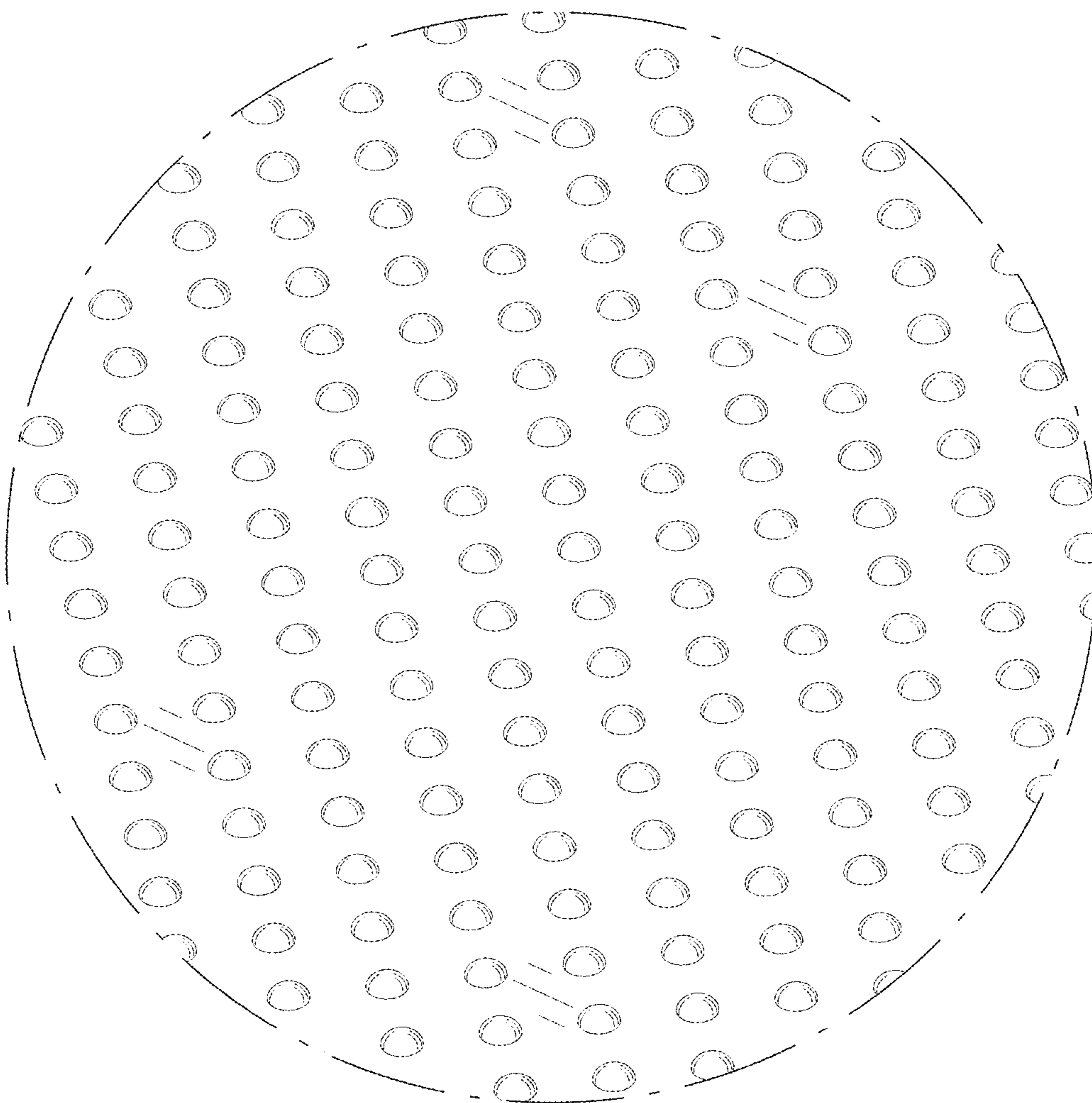


FIG. 9