



US00D986634S

(12) **United States Design Patent** (10) **Patent No.:** **US D986,634 S**  
**Xiao** (45) **Date of Patent:** **\*\* May 23, 2023**

(54) **PILLOW**  
(71) Applicant: **Guoqiang Xiao**, Guangdong (CN)  
(72) Inventor: **Guoqiang Xiao**, Guangdong (CN)  
(\*\*) Term: **15 Years**  
(21) Appl. No.: **29/811,814**  
(22) Filed: **Oct. 17, 2021**

D949,600 S \* 4/2022 Brown ..... A47C 7/383  
D6/601  
D950,980 S \* 5/2022 Zhang ..... D6/601  
D957,847 S \* 7/2022 Wang ..... D6/601  
D958,564 S \* 7/2022 Wan ..... D6/601  
2014/0310877 A1 \* 10/2014 Sternlight ..... A47G 9/02  
5/639  
2017/0164754 A1 \* 6/2017 Alletto, Jr. .... A47G 9/1036  
2019/0191900 A1 \* 6/2019 Brown ..... A47G 9/0253  
2021/0186238 A1 \* 6/2021 Kilo ..... A47G 9/1045

(51) **LOC (14) Cl.** ..... **06-09**  
(52) **U.S. Cl.**  
USPC ..... **D6/601**  
(58) **Field of Classification Search**  
USPC ..... D6/595, 596, 601  
See application file for complete search history.

**OTHER PUBLICATIONS**

Google Search: Husband Pillow: <URL: [https://www.google.com/search?q=husband+pillow&sxsrf=AJOqlzV8z6w6eaqApfkViasbApmDAcE-8Q:1678590351887&source=lnms&tbm=isch&sa=X&ved=2ahUKEwjf3ZattNX9AhUOE1kFHdrBCcoQ\\_AUoAnoECAIQBA&biw=1920&bih=937&dpr=1](https://www.google.com/search?q=husband+pillow&sxsrf=AJOqlzV8z6w6eaqApfkViasbApmDAcE-8Q:1678590351887&source=lnms&tbm=isch&sa=X&ved=2ahUKEwjf3ZattNX9AhUOE1kFHdrBCcoQ_AUoAnoECAIQBA&biw=1920&bih=937&dpr=1)> (Year: 2023).\*

(56) **References Cited**

\* cited by examiner

**U.S. PATENT DOCUMENTS**

*Primary Examiner* — Sanjeev Paul  
(74) *Attorney, Agent, or Firm* — True Shepherd, LLC;  
Andrew Cheng

2,489,693 A \* 11/1949 Williams ..... A47C 17/045  
5/59.1  
5,423,098 A \* 6/1995 Swezey ..... A47C 20/027  
297/410  
D373,275 S \* 9/1996 Bell ..... D6/601  
D376,503 S \* 12/1996 Petersson ..... D6/601  
D427,833 S \* 7/2000 Robinson ..... D6/601  
6,814,709 B2 \* 11/2004 Schwartz ..... A47C 7/725  
5/633  
7,284,290 B1 \* 10/2007 Swezey ..... A47C 20/027  
5/632  
7,313,836 B1 \* 1/2008 Swezey ..... A47C 20/027  
297/354.12  
7,412,738 B2 \* 8/2008 Chaffee ..... A47C 27/085  
5/655.3  
D793,768 S \* 8/2017 Goddard ..... D6/601  
D807,653 S \* 1/2018 Roizner ..... D6/334  
D875,432 S \* 2/2020 Brown ..... A47G 9/1081  
D6/601  
D892,518 S \* 8/2020 Zhao ..... D6/601  
10,869,556 B2 \* 12/2020 Alletto, Jr. .... A47G 9/1036  
D927,225 S 8/2021 Wang  
D930,402 S 9/2021 Ma

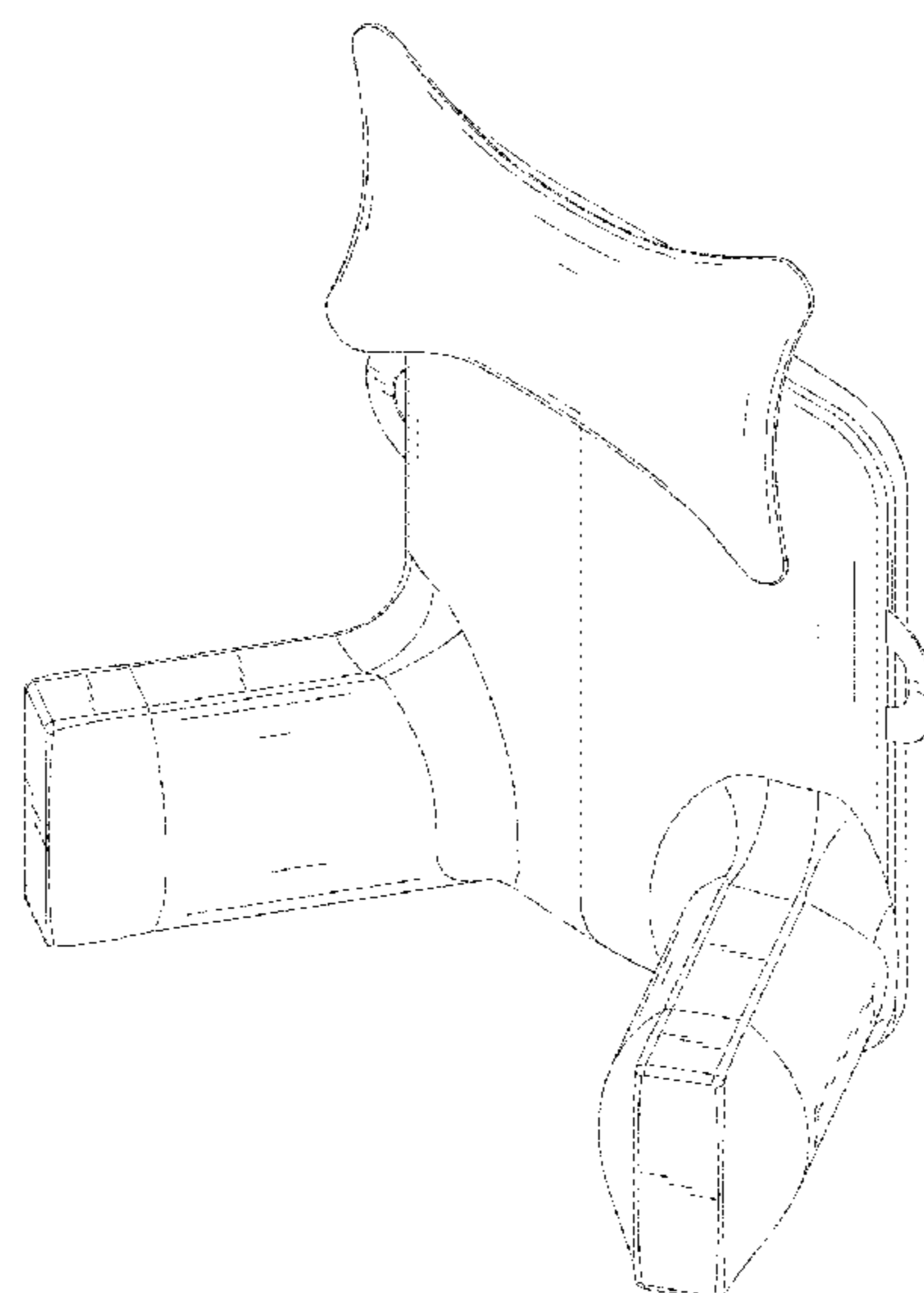
(57) **CLAIM**

The ornamental design for a pillow, as shown and described.

**DESCRIPTION**

FIG. 1 is a front, right and top perspective view of a pillow, showing my design.  
FIG. 2 is a rear, left and bottom perspective view thereof.  
FIG. 3 is a front elevation view thereof.  
FIG. 4 is a rear elevation view thereof.  
FIG. 5 is a left side elevation view thereof.  
FIG. 6 is a right side elevation view thereof.  
FIG. 7 is a top plan view thereof; and,  
FIG. 8 is a bottom plan view thereof.  
The dotted lines shown in the drawings represent sewing lines and form a part of the claim.

**1 Claim, 8 Drawing Sheets**



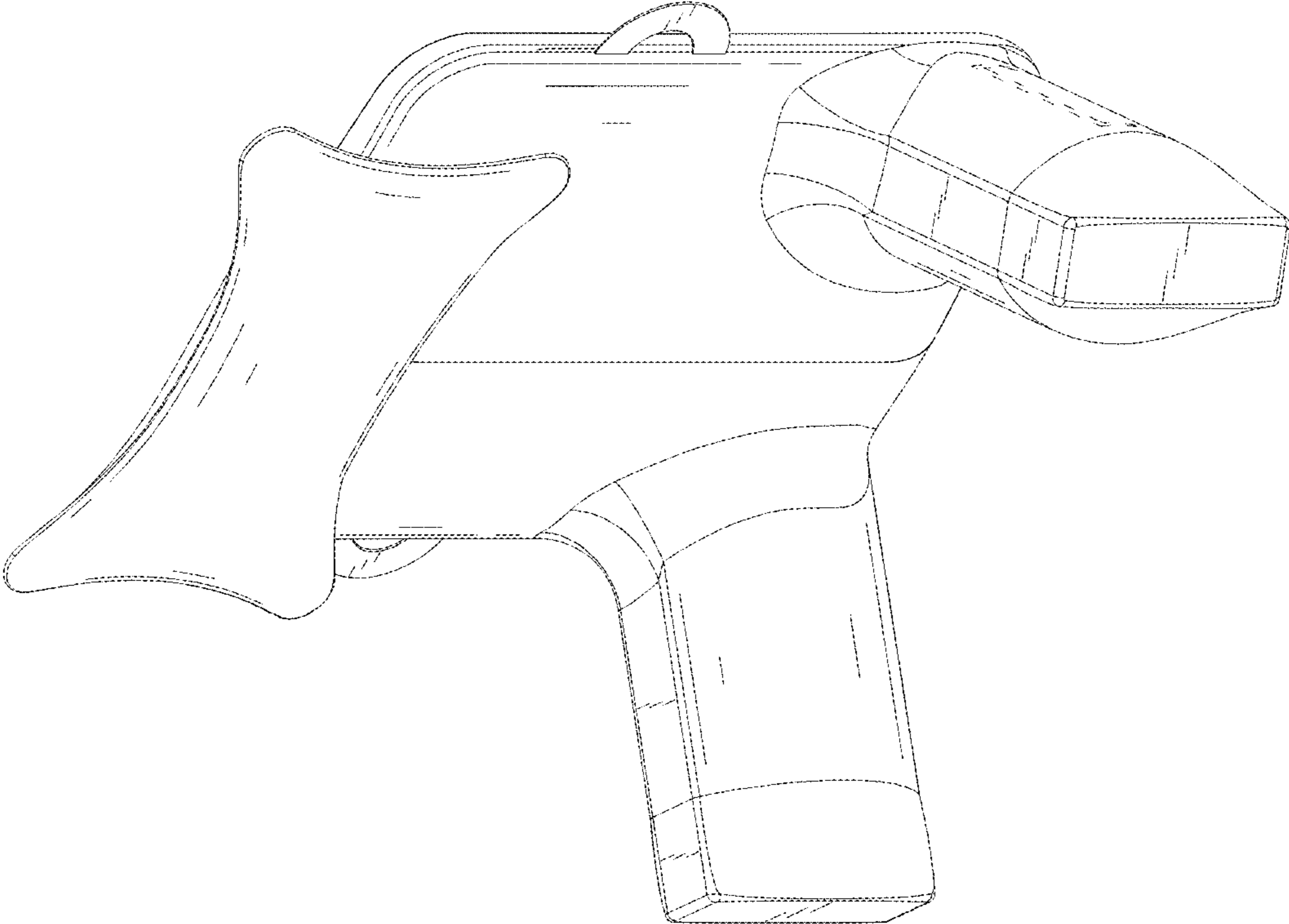


FIG. 1

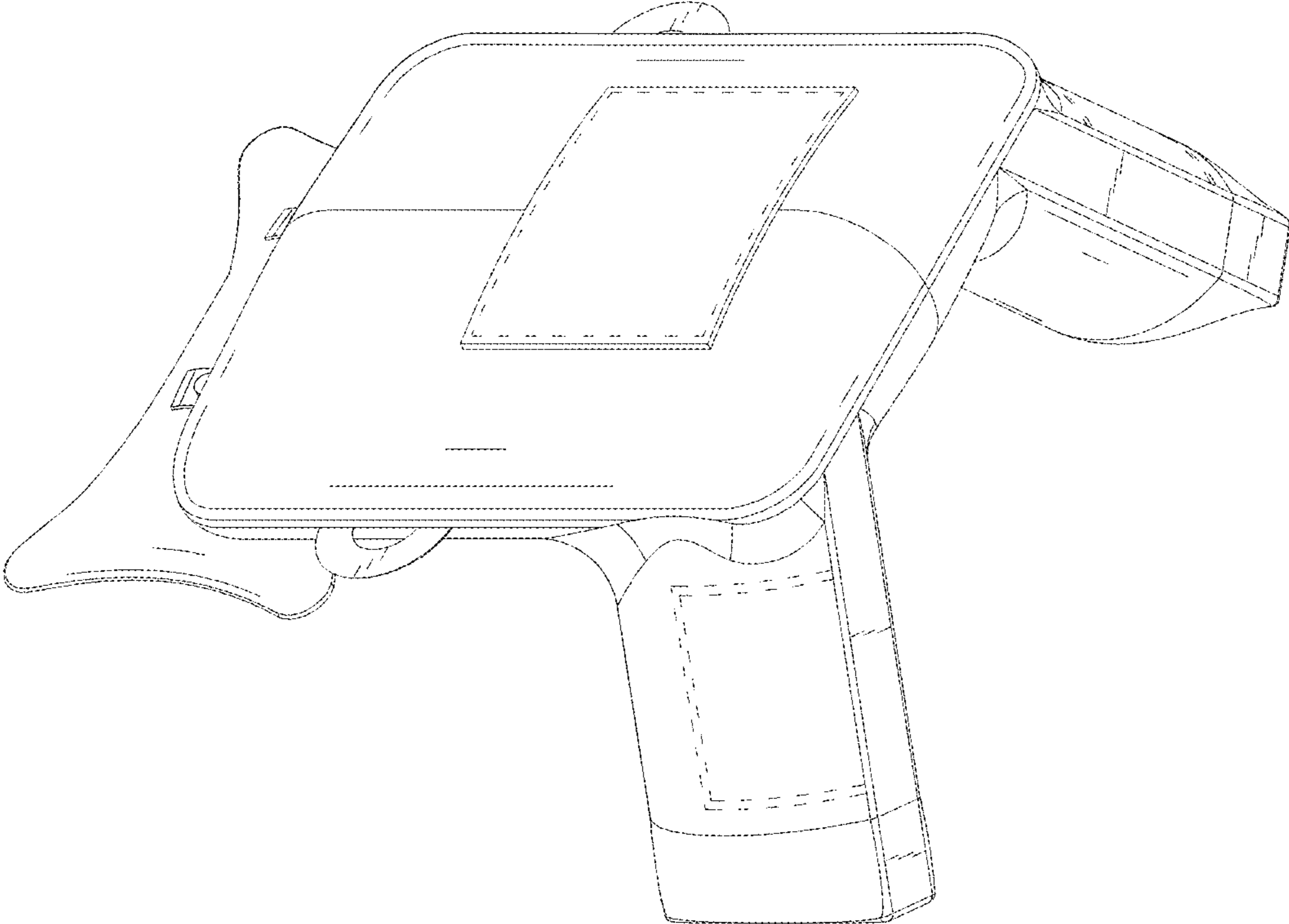


FIG. 2

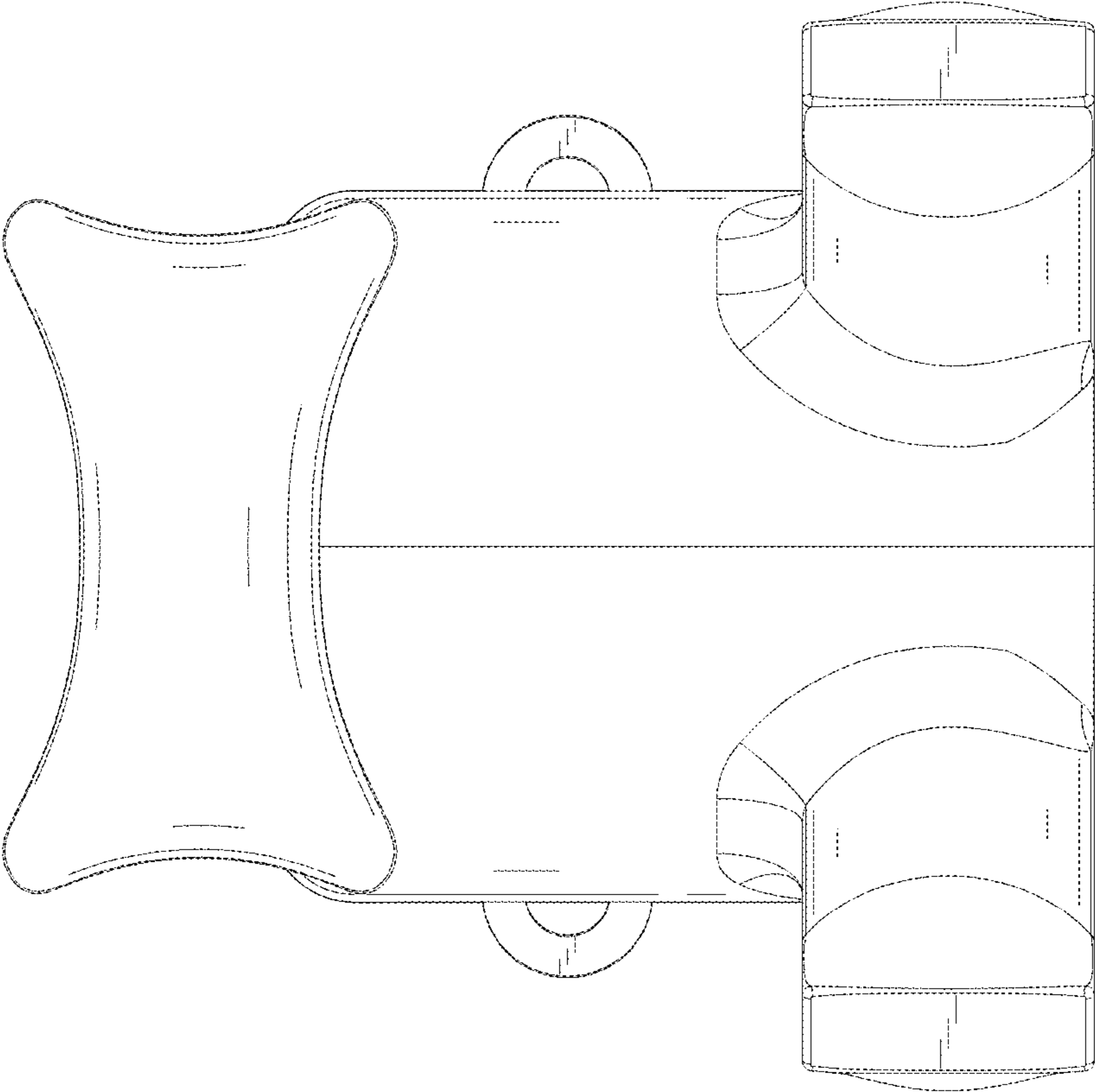


FIG. 3

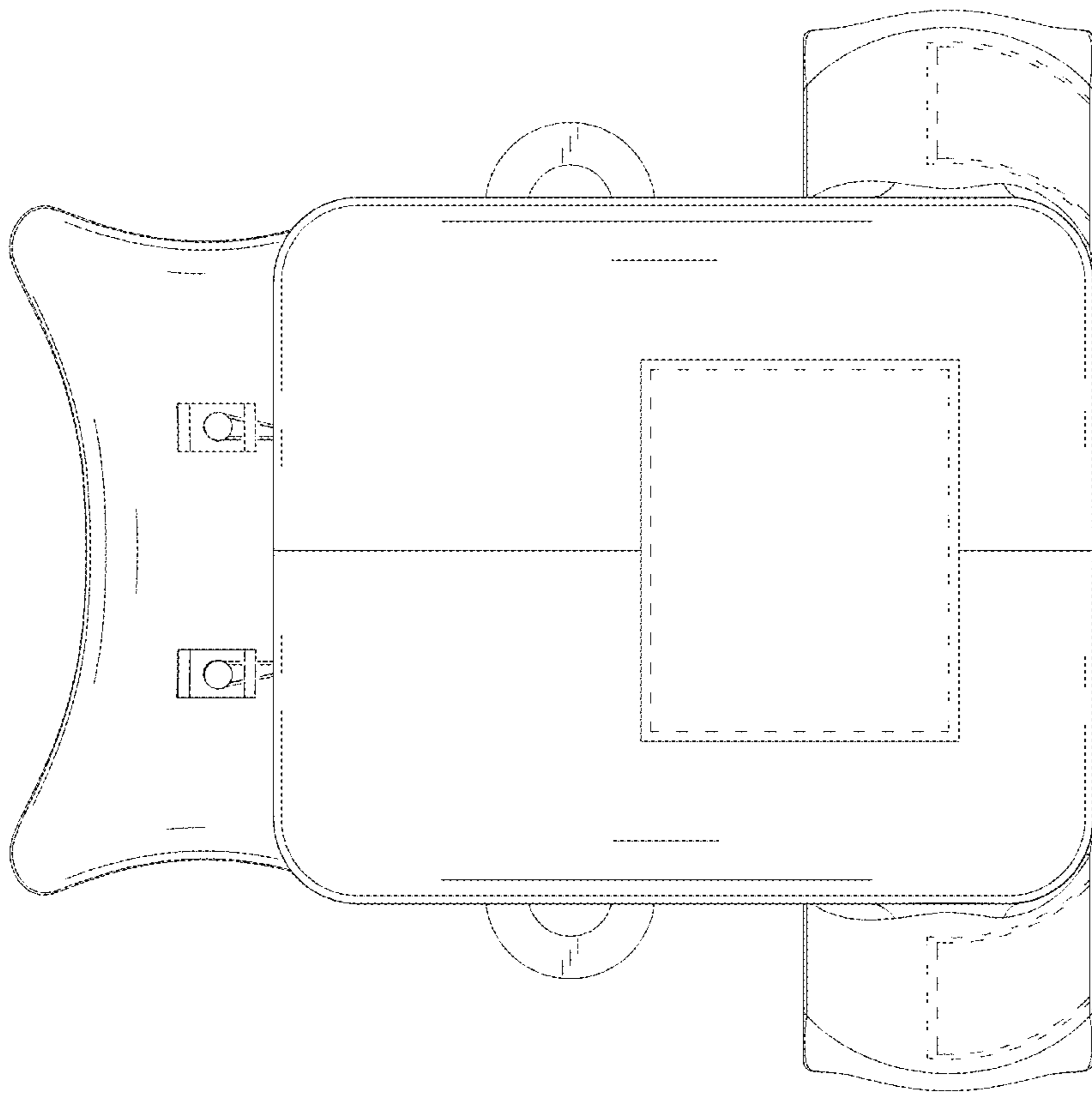


FIG. 4

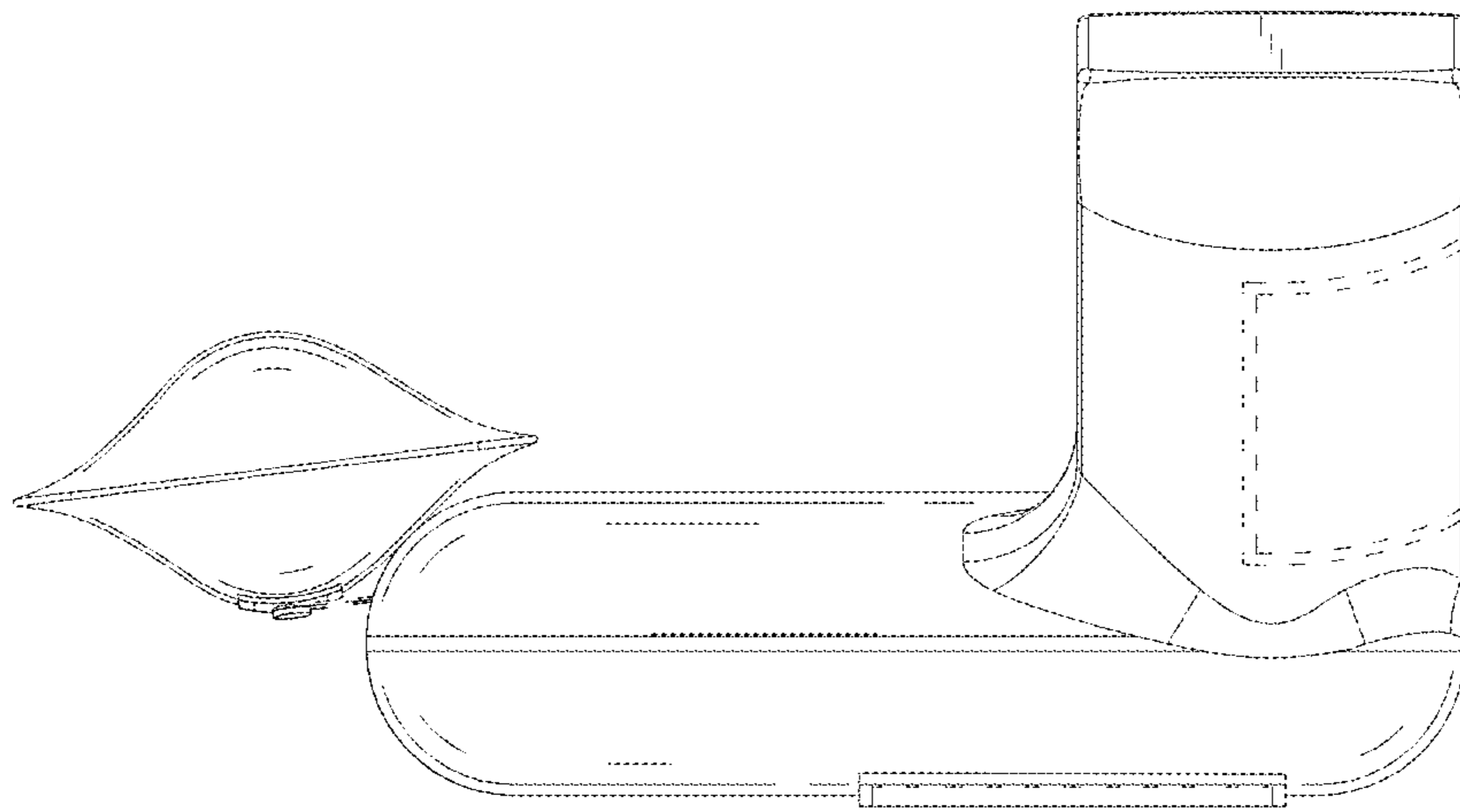


FIG. 5

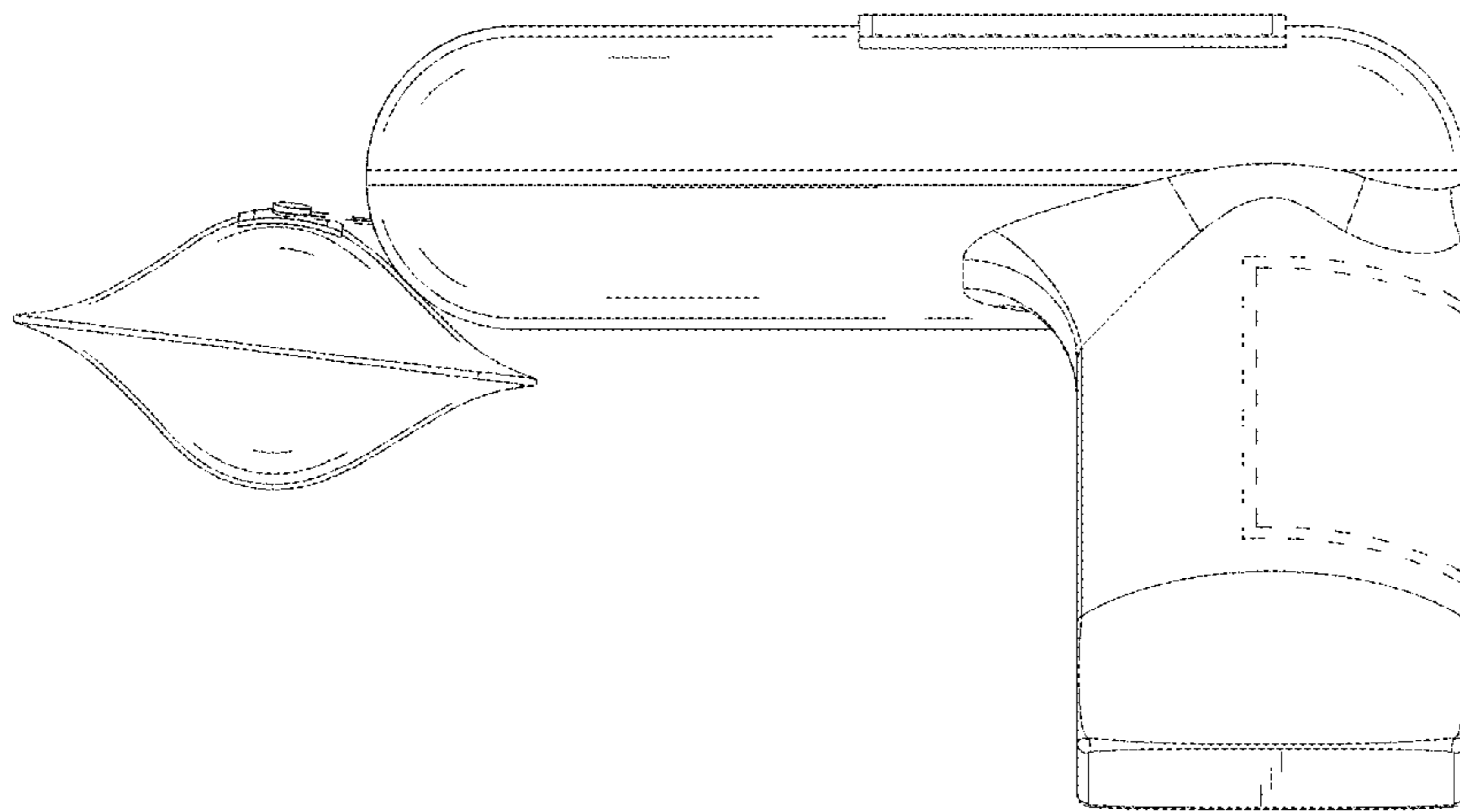


FIG. 6

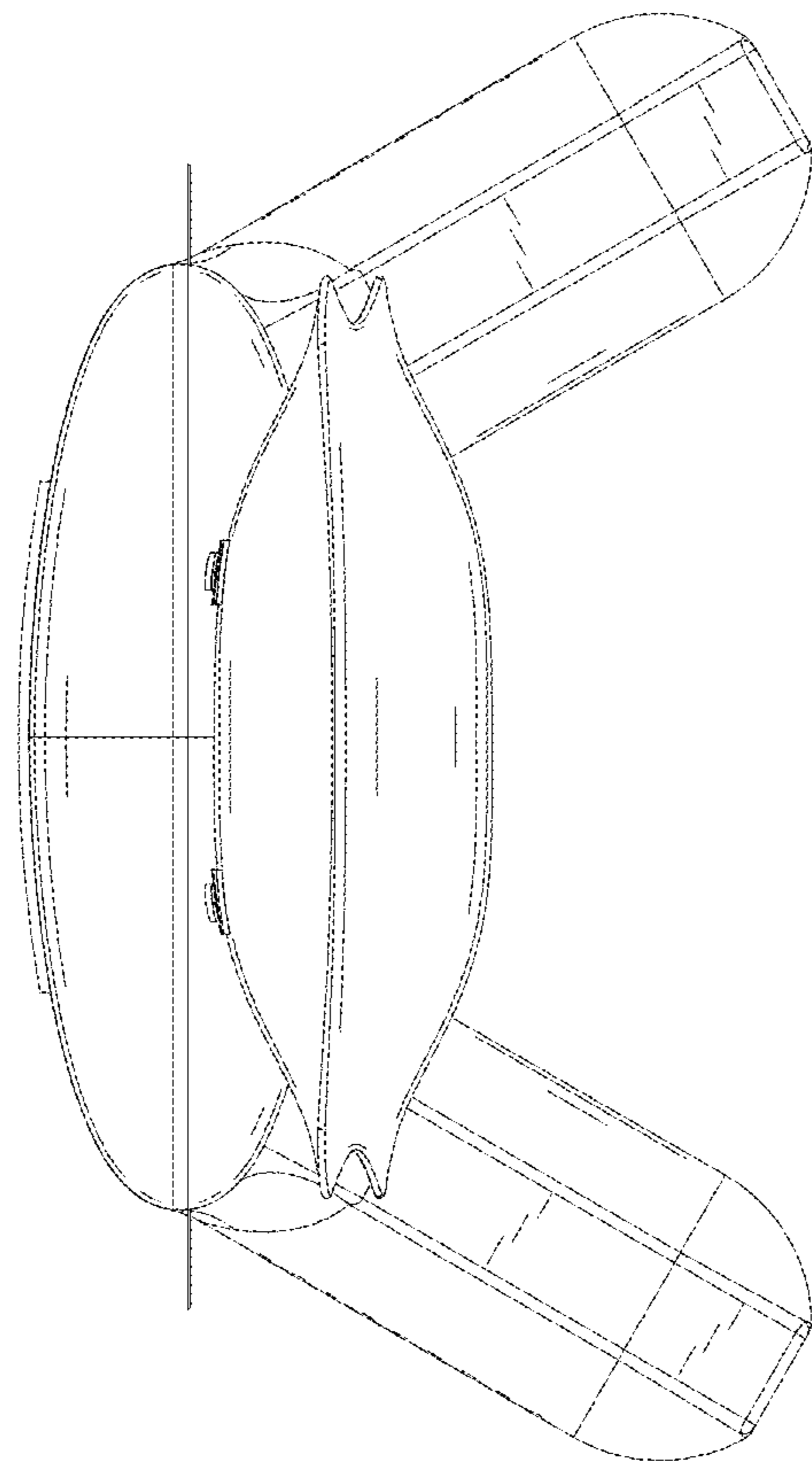


FIG. 7



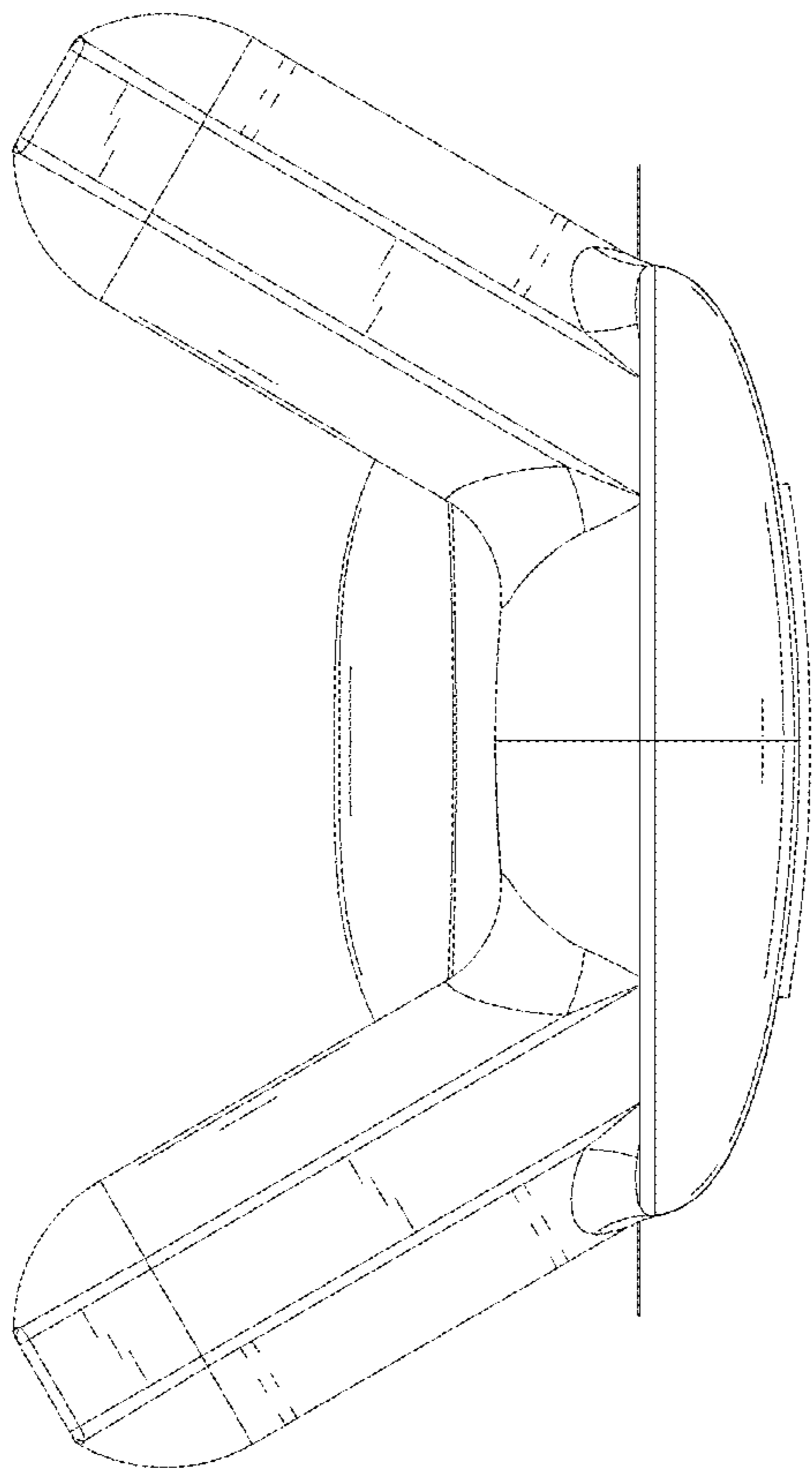


FIG. 8