



US00D986633S

(12) **United States Design Patent**
Shi

(10) **Patent No.:** **US D986,633 S**

(45) **Date of Patent:** **** May 23, 2023**

(54) **LUMBAR SUPPORT PILLOW**

(71) Applicant: **Min Shi**, Hu'nan (CN)

(72) Inventor: **Min Shi**, Hu'nan (CN)

(**) Term: **15 Years**

(21) Appl. No.: **29/780,604**

(22) Filed: **Apr. 26, 2021**

(51) **LOC (14) Cl.** **06-04**

(52) **U.S. Cl.**
USPC **D6/601**

(58) **Field of Classification Search**
USPC D6/595-601, 604, 606; D24/183, 190;
D21/803, 809
CPC A47A 20/00; A47A 20/021; A47D 15/001;
A47D 15/008; A47G 9/00; A47G 9/10;
A47C 7/742; A47C 7/021; B62J 1/26
See application file for complete search history.

(56) **References Cited**

U.S. PATENT DOCUMENTS

D383,027 S 9/1997 Riedell
D399,382 S 10/1998 Rivard et al.

D793,768 S * 8/2017 Goddard D6/601
D793,770 S * 8/2017 Krishtul D6/601
D808,194 S * 1/2018 Wyborn D6/601
D934,592 S * 11/2021 Yu D6/601
2012/0102588 A1* 4/2012 Lin C12N 15/8273
204/461
2017/0303698 A1* 10/2017 Howie A47C 7/021

* cited by examiner

Primary Examiner — Kevin K Rudzinski

Assistant Examiner — Carrie A Matteoli

(74) *Attorney, Agent, or Firm* — ScienBiziP, P.C.

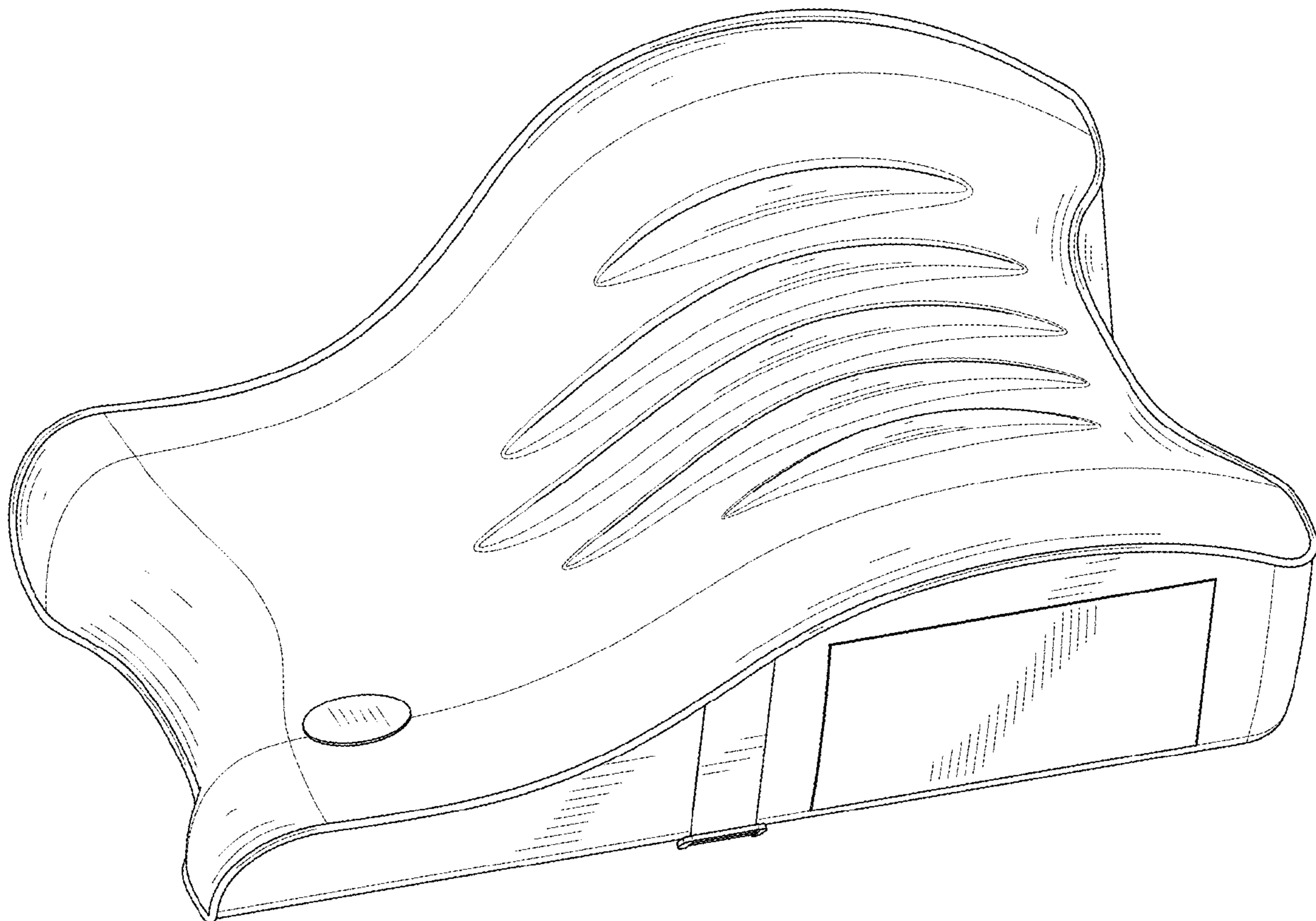
(57) **CLAIM**

The ornamental design for a lumbar support pillow, as shown and described.

DESCRIPTION

FIG. 1 is a front, right, and top perspective view of a lumbar support pillow, showing my design.
FIG. 2 is a rear, left, and bottom perspective view thereof.
FIG. 3 is a front elevation view thereof.
FIG. 4 is a rear elevation view thereof.
FIG. 5 is a left side elevation view thereof.
FIG. 6 is a right side elevation view thereof.
FIG. 7 is a top plan view thereof; and,
FIG. 8 is a bottom plan view thereof.

1 Claim, 8 Drawing Sheets



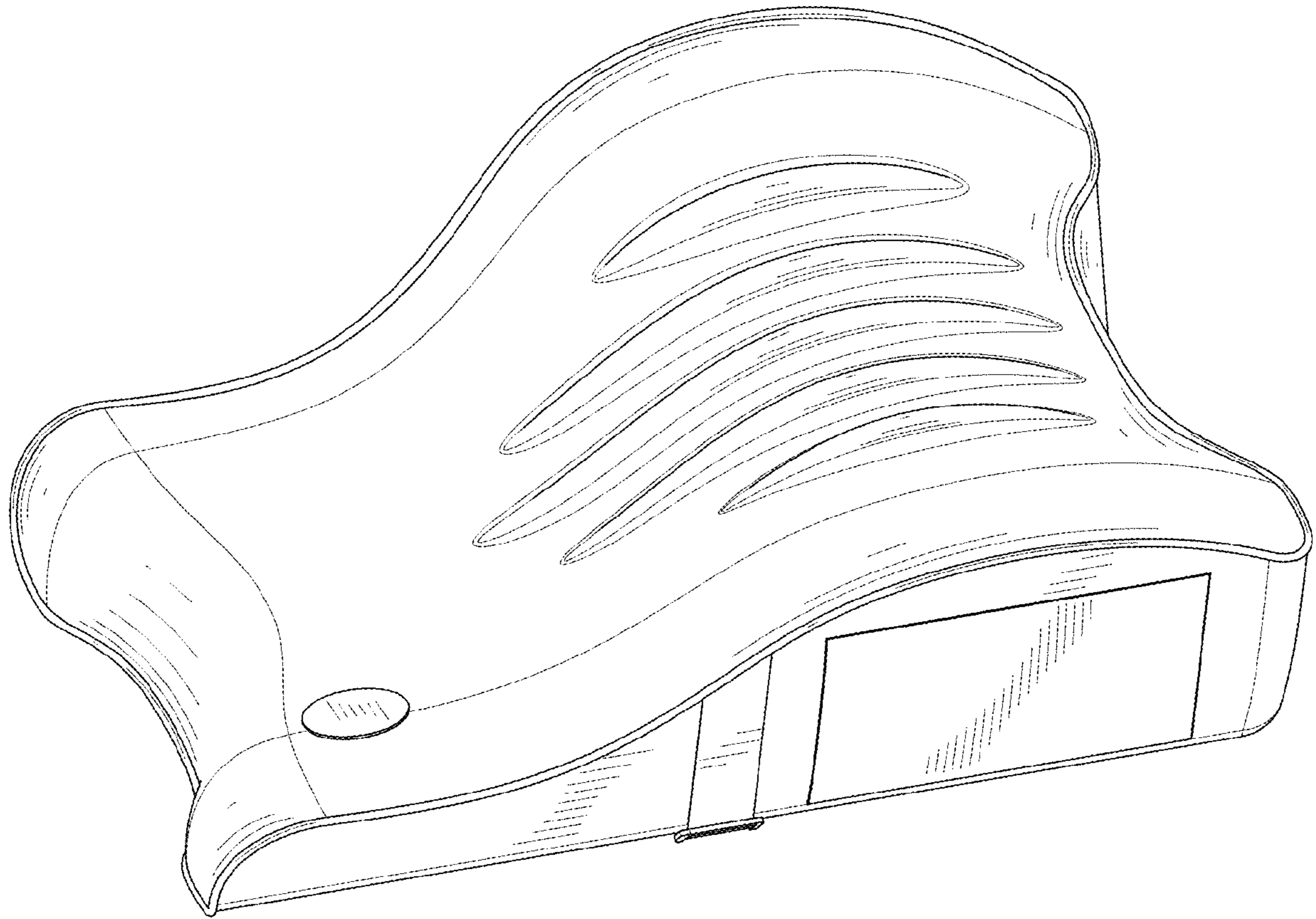


FIG.1

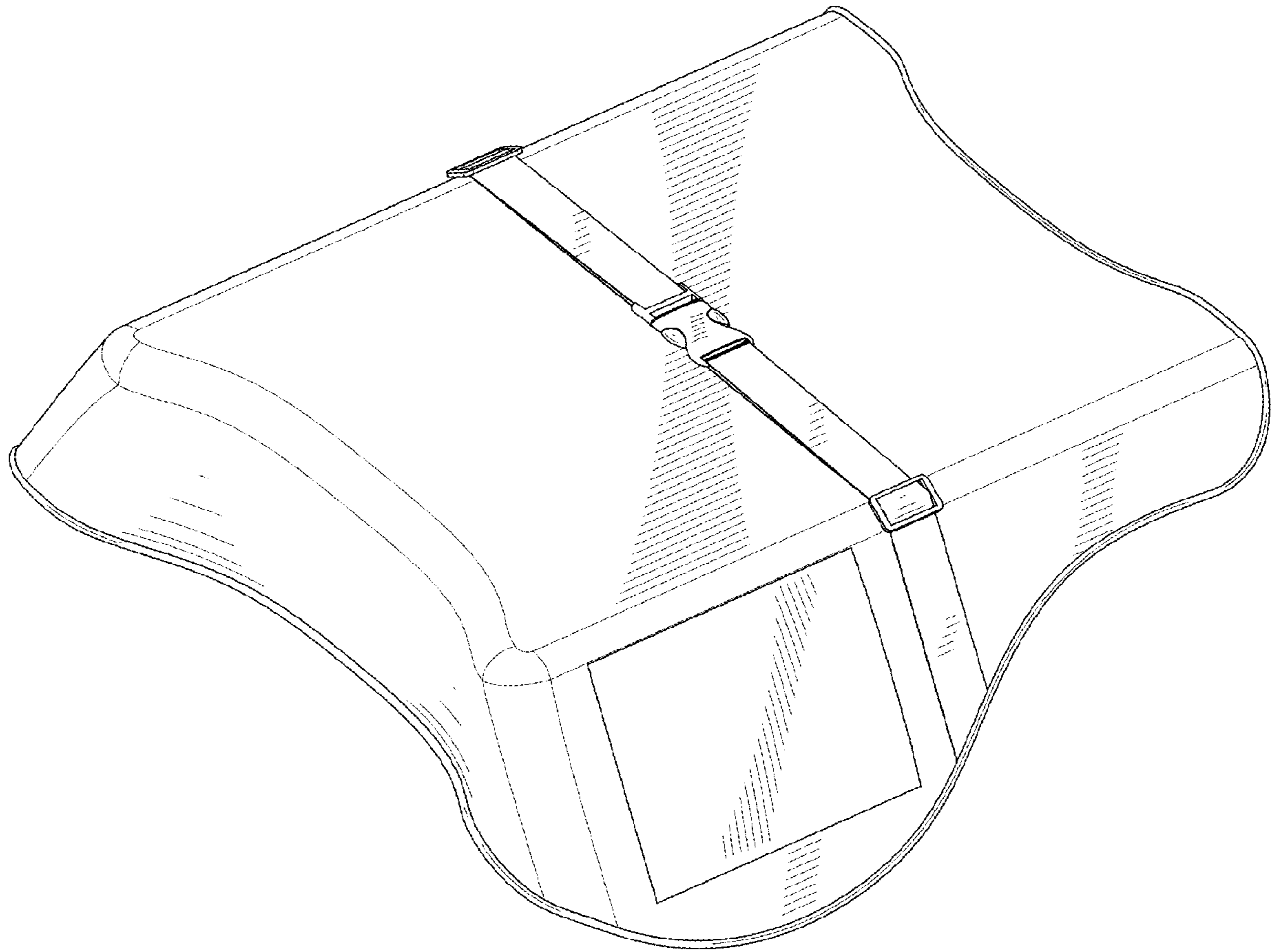


FIG.2

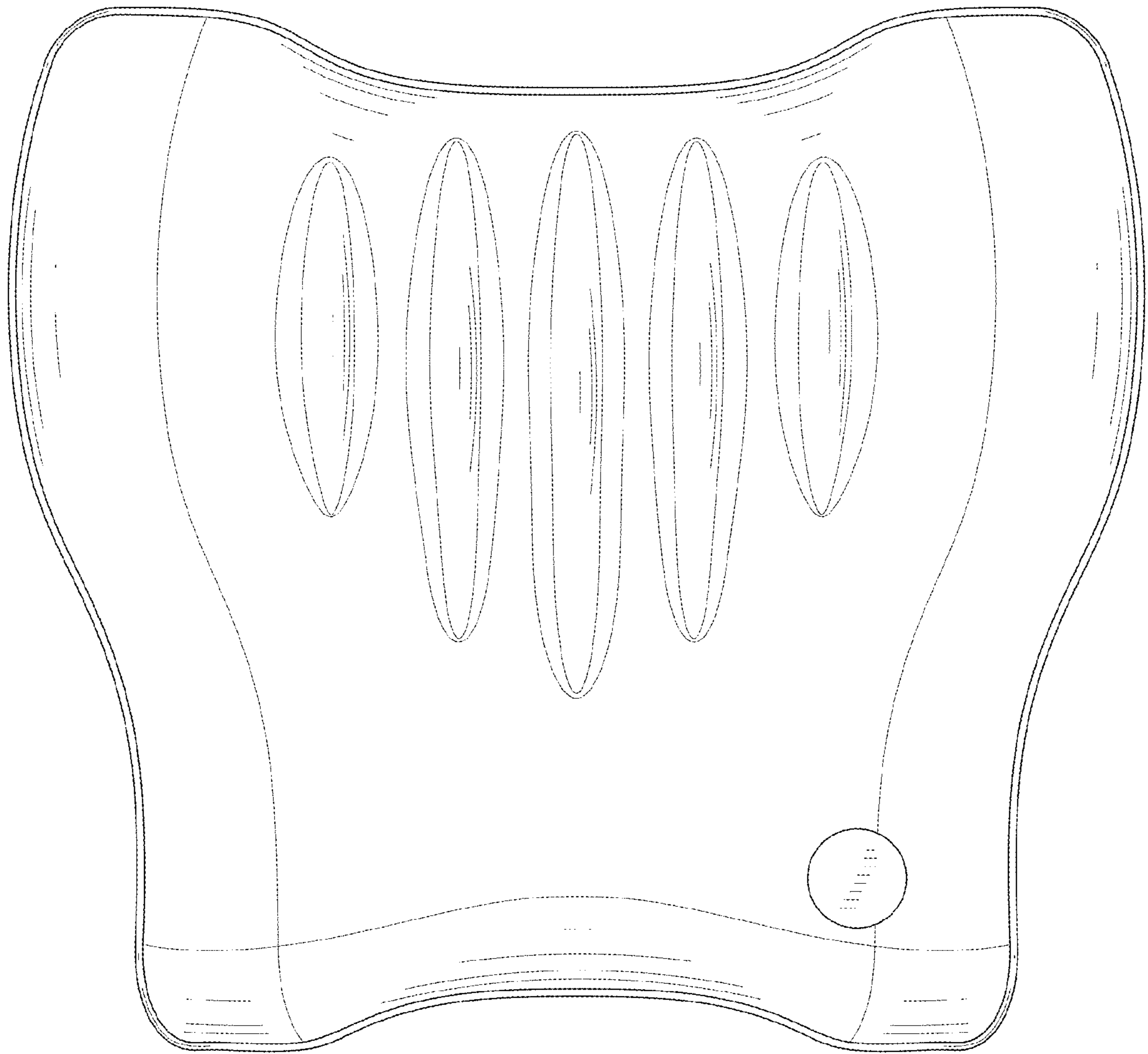


FIG.3

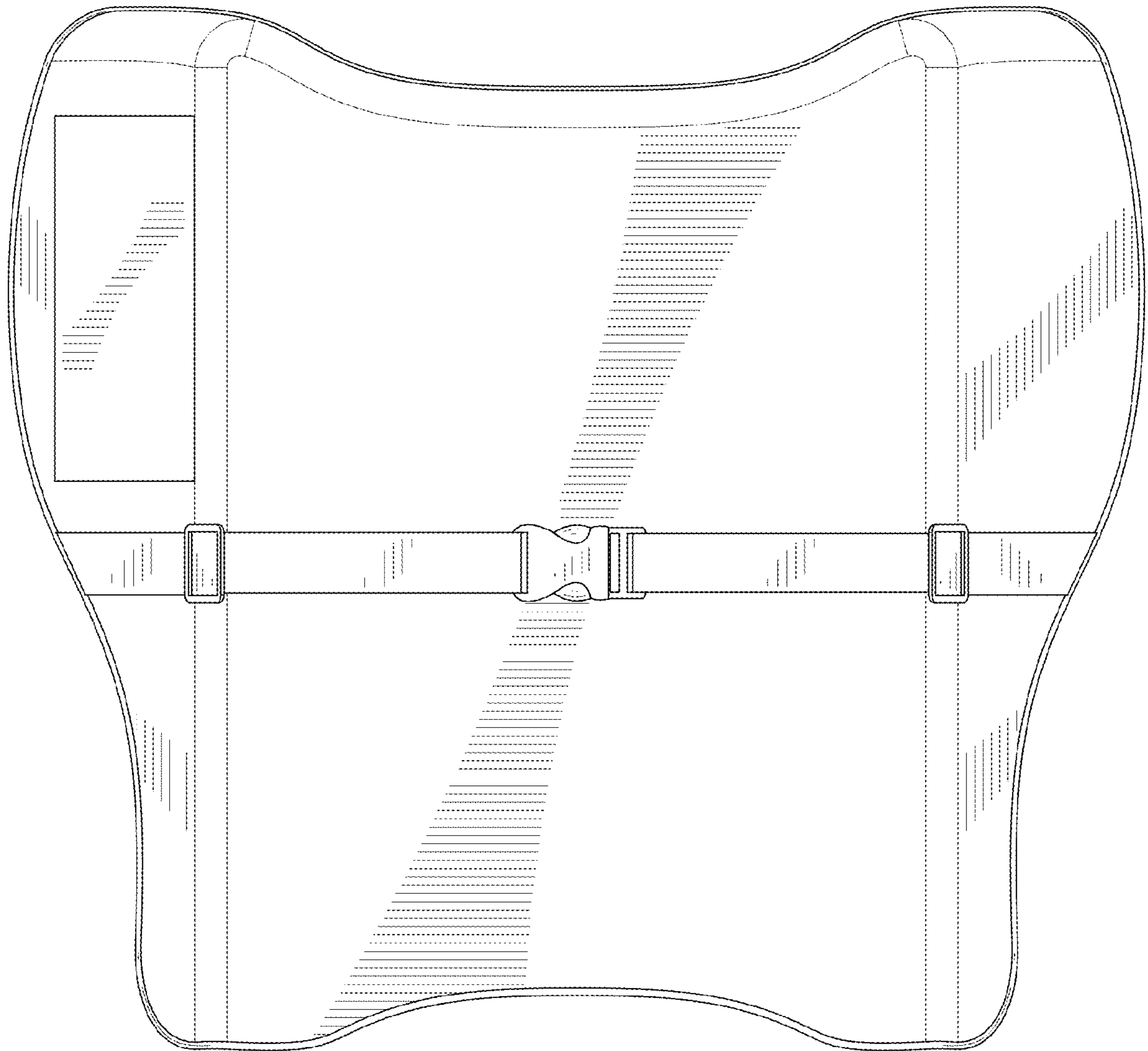


FIG.4

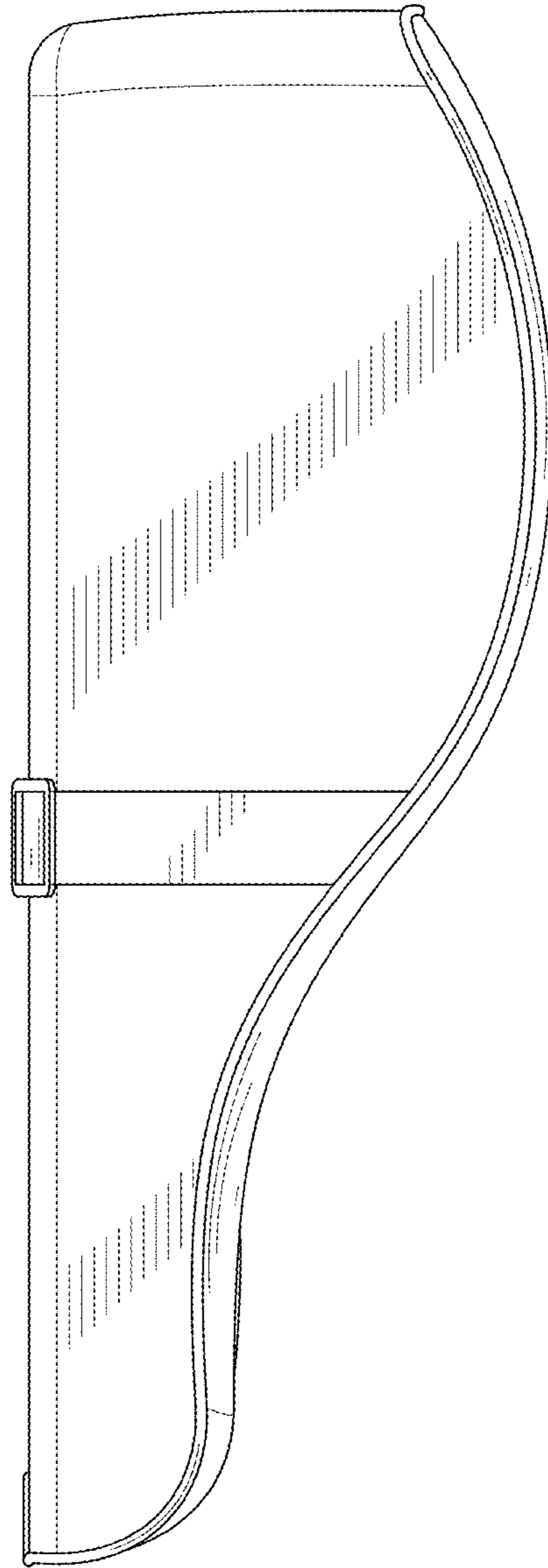


FIG.5

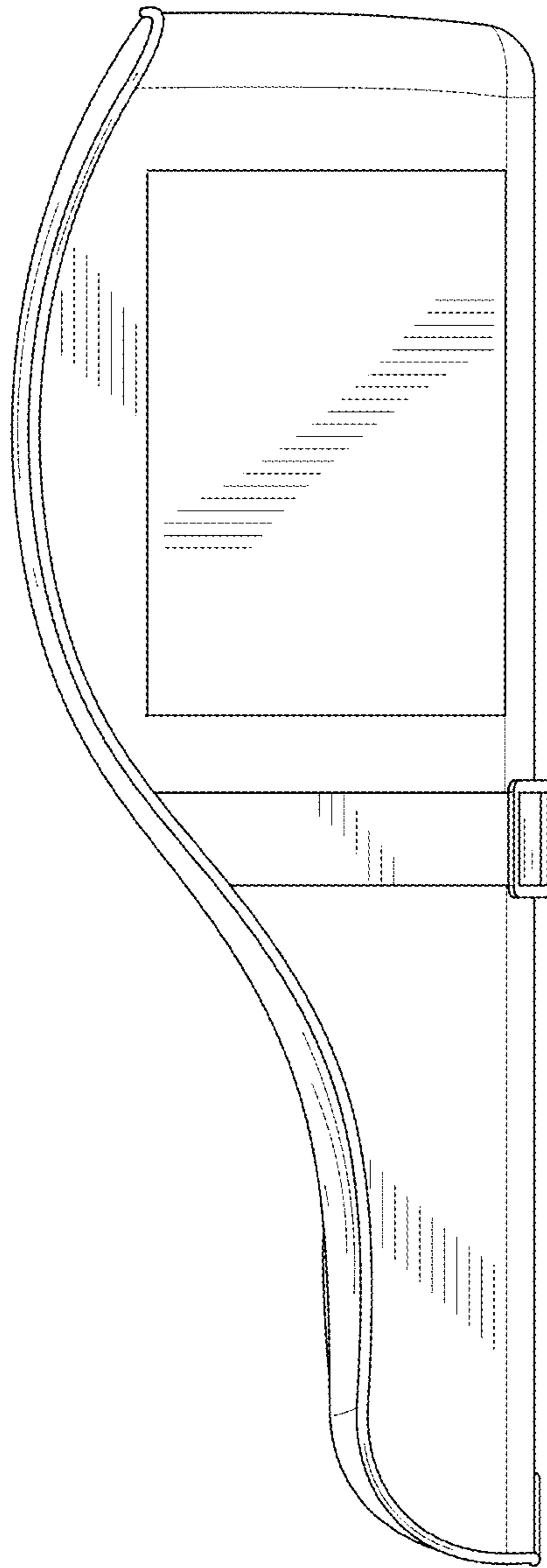


FIG.6

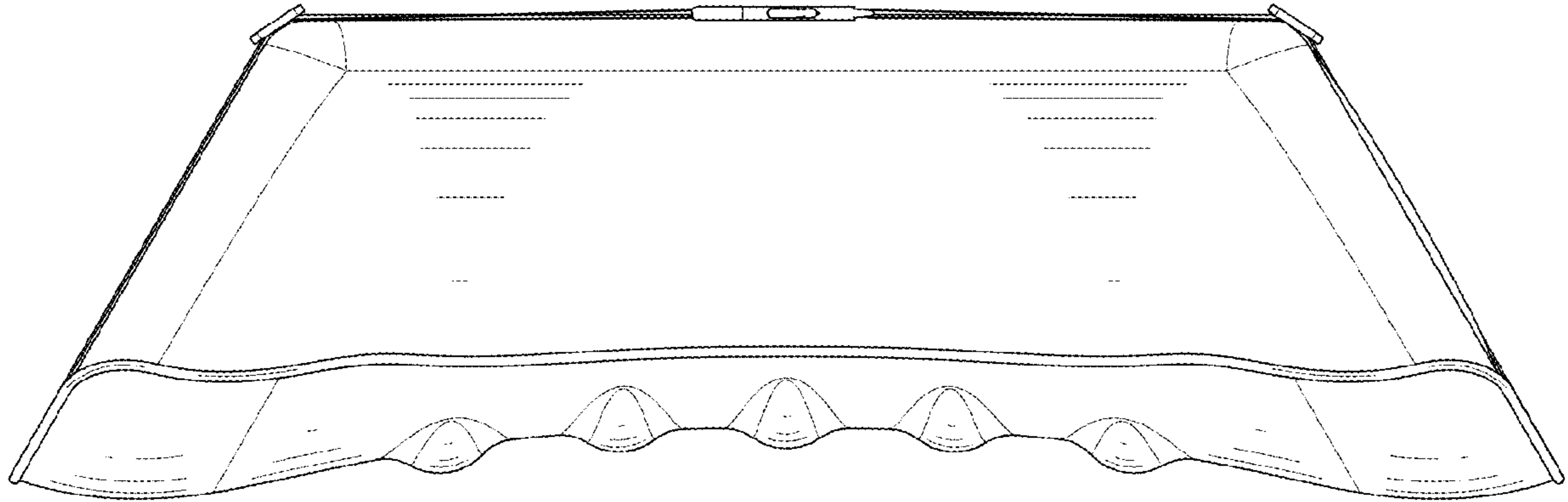


FIG.7

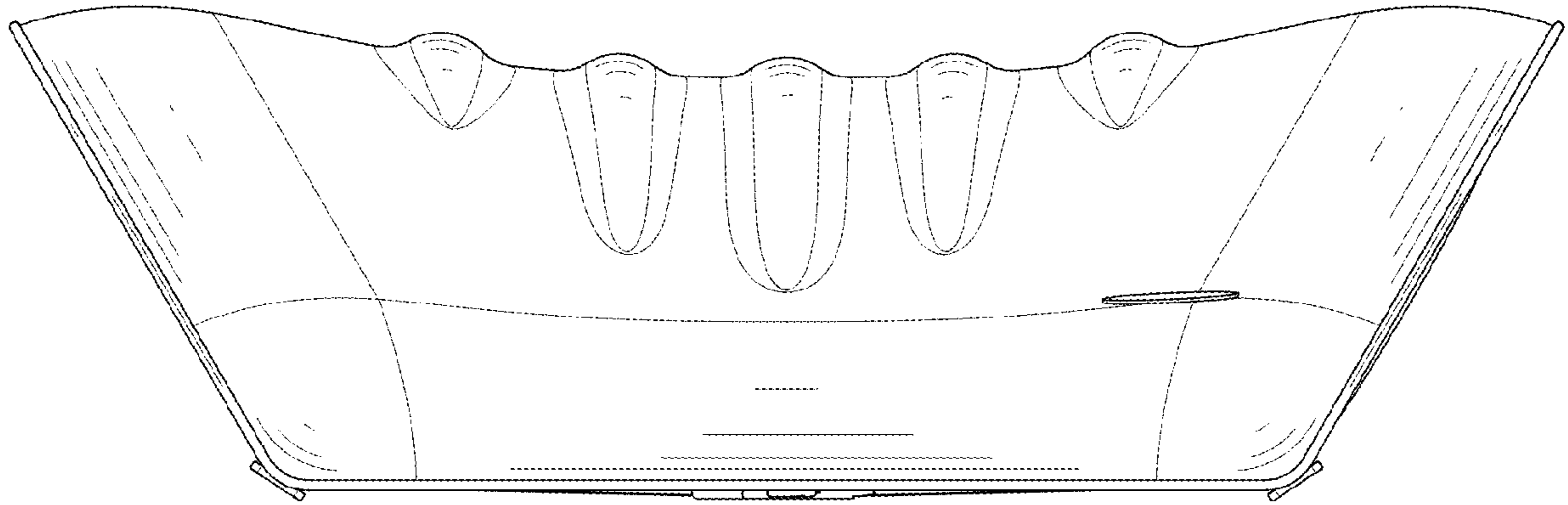


FIG.8