



US00D986632S

(12) **United States Design Patent** (10) **Patent No.:** **US D986,632 S**  
**Jordanov** (45) **Date of Patent:** **\*\* May 23, 2023**

(54) **PILLOW WITH INTEGRATED SPEAKERS**

FOREIGN PATENT DOCUMENTS

(71) Applicant: **Martin Jordanov**, Nashville, TN (US)

CN 202030731685.3 \* 5/2021  
JP D2018-4449 \* 12/2018

(72) Inventor: **Martin Jordanov**, Nashville, TN (US)

OTHER PUBLICATIONS

(\*\*) Term: **15 Years**

Walmart, Perfect Life Ideas Vibrating Neck Massage Pillow, Oldest Review Date: Oct. 10, 2019, <https://www.walmart.com/ip/Perfect-Life-Ideas-Vibrating-Neck-Massage-Pillow-Massaging-Travel-Pillow-Blue/122383367> (Year: 2019).\*

(21) Appl. No.: **29/771,596**

(Continued)

(22) Filed: **Feb. 24, 2021**

(51) **LOC (14) Cl.** ..... **06-13**

(52) **U.S. Cl.**

USPC ..... **D6/601**

(58) **Field of Classification Search**

USPC ..... D6/595, 596, 601, 604; D24/183, 190;  
D21/803, 809

CPC ..... A47G 9/00; A47G 9/10; A47G 9/1045;  
A47G 9/1054; A47G 9/1063; A47G  
9/1072; A47G 9/1081; A47G 9/109

See application file for complete search history.

*Primary Examiner* — Natasha Vujcic

*Assistant Examiner* — Gilbert B Ford

(74) *Attorney, Agent, or Firm* — Mitchell Law PLLC;  
Matthew W. Mitchell

(57) **CLAIM**

The ornamental design for the pillow with integrated speakers, as shown and described.

**DESCRIPTION**

FIG. 1 is a top, front perspective view of a pillow with integrated speakers of the present invention; FIG. 2 is a front isometric view thereof; FIG. 3 is yet another front isometric view thereof; FIG. 4 is yet another front isometric view thereof; FIG. 5 is yet another front isometric view thereof; FIG. 6 is a front view thereof; FIG. 7 is a rear view thereof; FIG. 8 is a top plan view thereof; FIG. 9 is a left-side view thereof, the right-side view being a mirror image thereof; FIG. 10 is a cross sectional view taken along line 10-10 from FIG. 8; and, FIG. 11 is a top, left, isometric view of the cross-sectional view FIG. 10. The broken lines represent boundaries to disclaim the cross-hatching within the cross-sections and form no part of the claimed design.

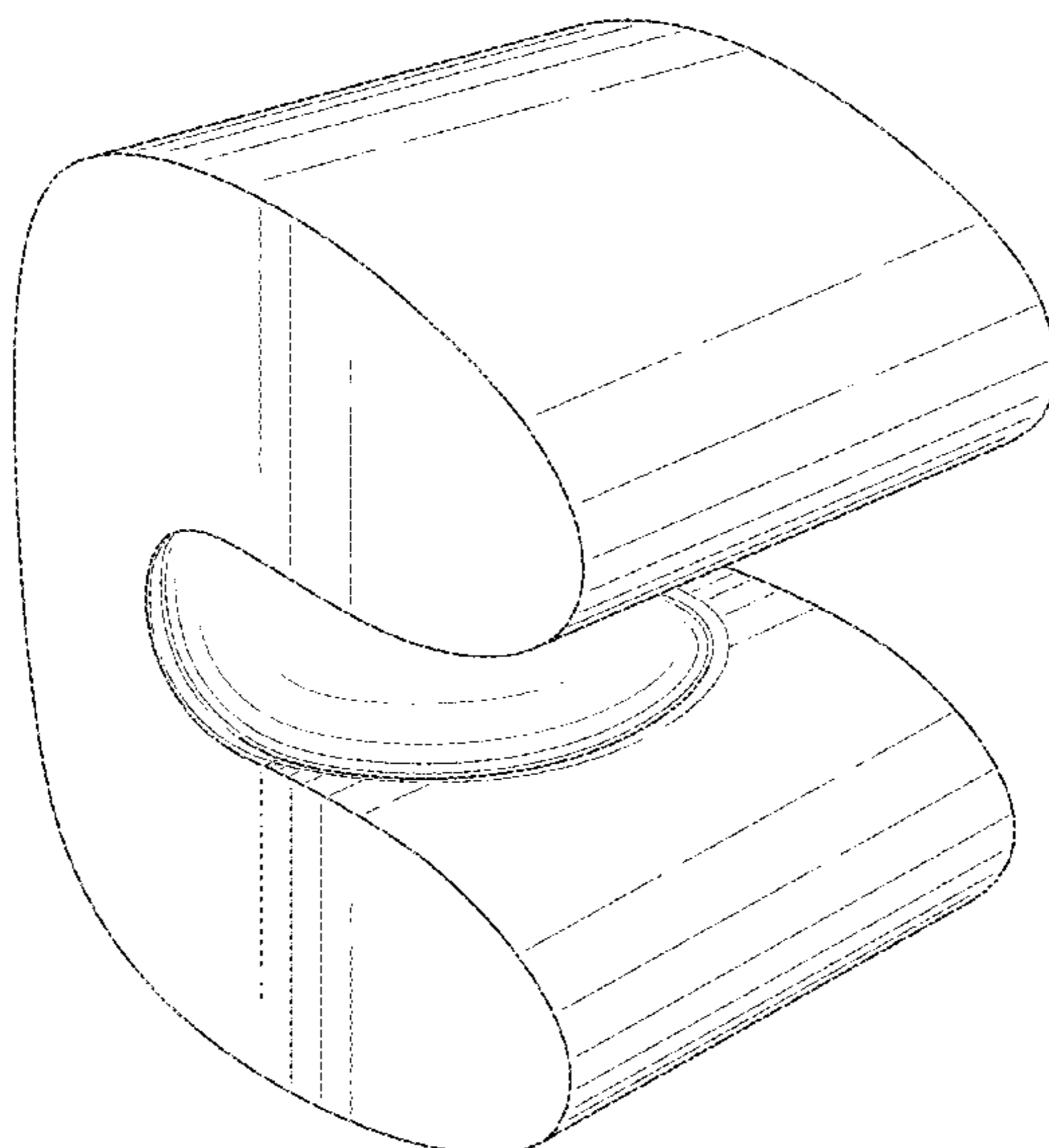
(56) **References Cited**

U.S. PATENT DOCUMENTS

D124,296 S \* 12/1940 Thompson ..... D6/601  
D322,380 S \* 12/1991 El-Asir ..... D6/601  
D348,174 S \* 6/1994 Genis ..... D6/601  
D549,507 S \* 8/2007 Boutin ..... D6/601  
D590,198 S \* 4/2009 Nostrant ..... D6/601  
9,155,409 B2 \* 10/2015 Cohen ..... A47G 9/10  
D754,454 S \* 4/2016 Schwingendorf ..... D6/601  
D755,535 S \* 5/2016 Benezri ..... D6/601  
D787,233 S \* 5/2017 Wang ..... D6/601  
D796,869 S \* 9/2017 Higashi ..... D6/601  
D817,031 S \* 5/2018 Denat ..... D6/601  
D841,364 S \* 2/2019 Yu ..... D6/601  
D856,708 S \* 8/2019 Chen ..... D6/601  
D886,495 S \* 6/2020 Wong ..... D6/601  
D889,165 S \* 7/2020 Chen ..... D6/601  
D897,733 S \* 10/2020 Du ..... D6/601

(Continued)

**1 Claim, 11 Drawing Sheets**



(56)

**References Cited**

U.S. PATENT DOCUMENTS

D897,735 S \* 10/2020 Chen ..... D6/601  
D899,818 S \* 10/2020 Qu ..... D6/601  
D899,819 S \* 10/2020 Sutton ..... D6/601  
D911,067 S \* 2/2021 Little ..... D6/601  
D921,398 S \* 6/2021 Majette ..... D6/601  
D923,361 S \* 6/2021 Federl ..... D6/601  
2005/0150050 A1 \* 7/2005 Wolf ..... A47C 7/383  
5/636  
2020/0000256 A1 \* 1/2020 Ruffiel ..... A47C 7/383

OTHER PUBLICATIONS

Amazon, Crafty World Travel Neck Pillow, First Date Available:  
May 26, 2014, <https://a.co/d/4EMjDaS> (Year: 2014).\*

Amazon, World's Best Cushion/Soft Memory Foam Neck Pillow,  
Oldest Review Date, Mar. 7, 2014, <https://a.co/d/g3VCH3N> (Year:  
2014).\*

\* cited by examiner

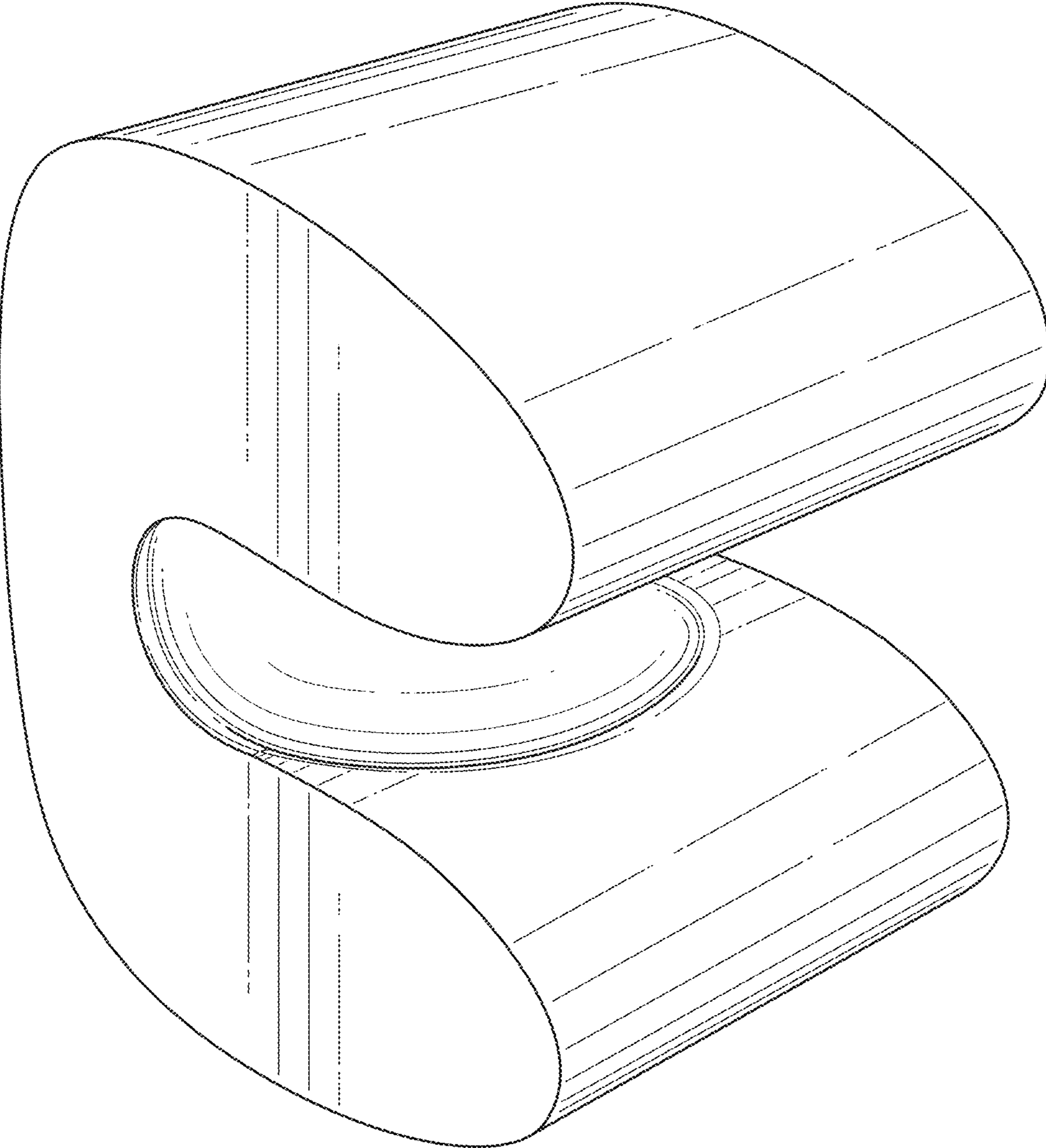


FIG. 1

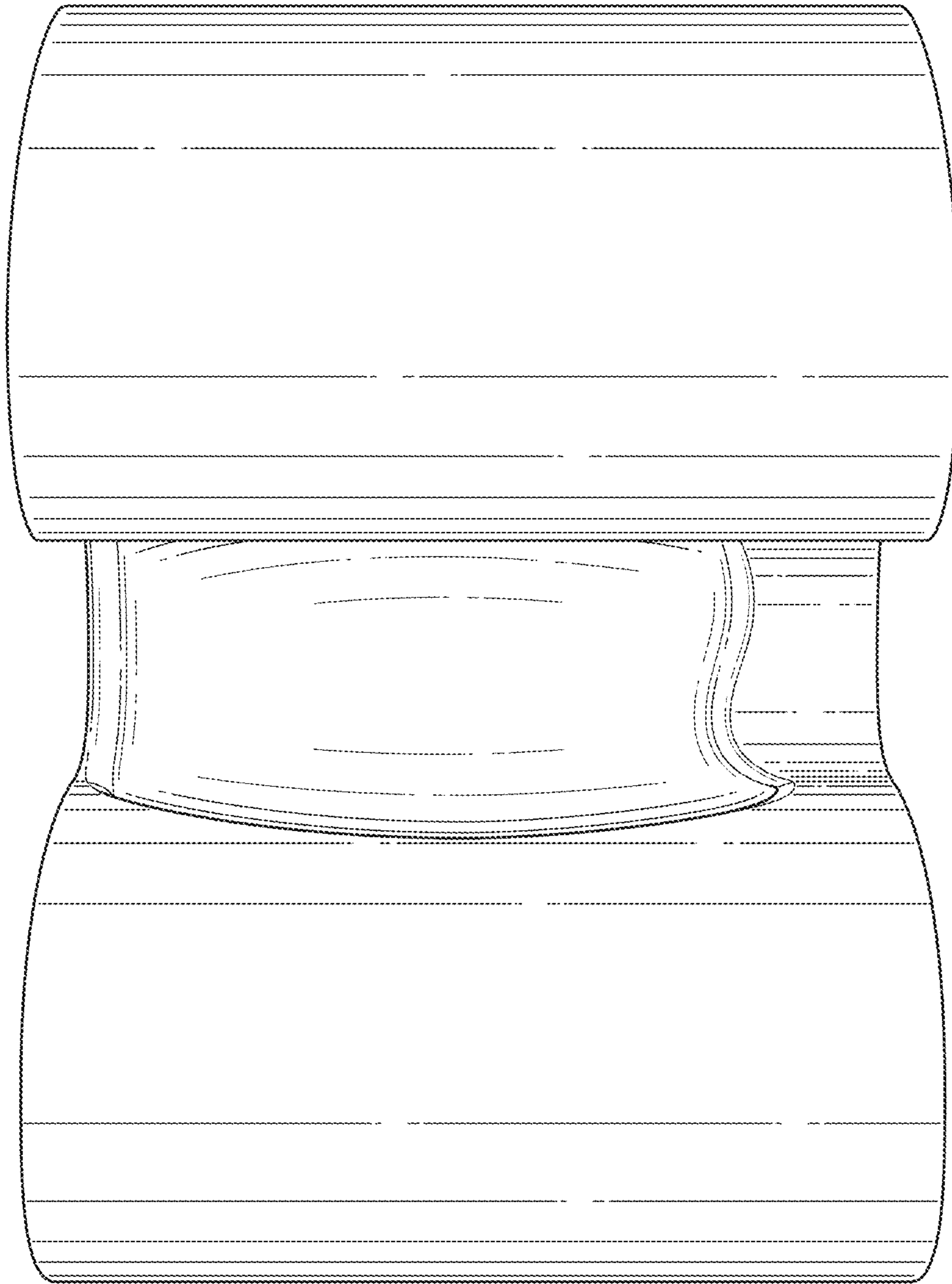


FIG. 2

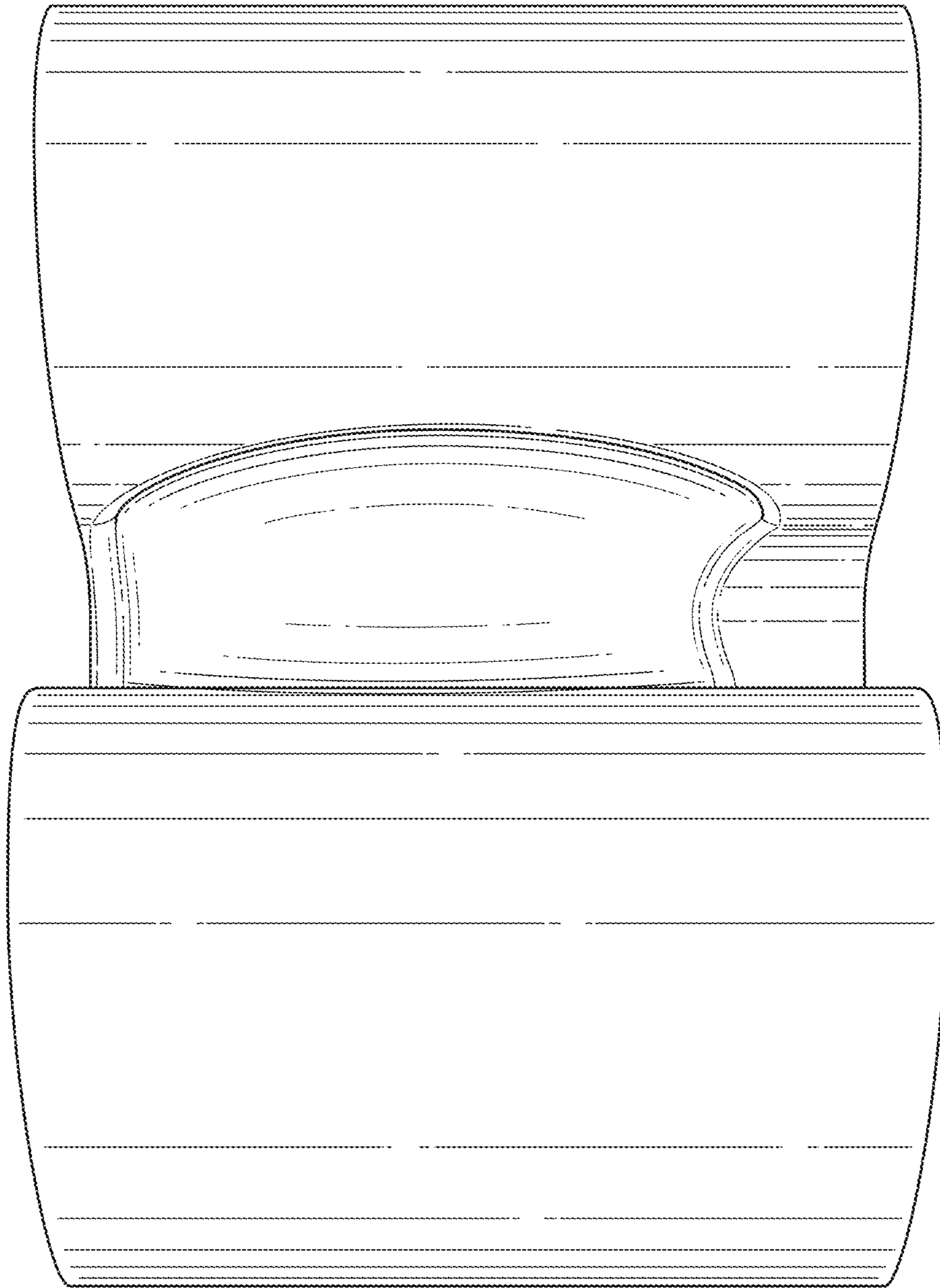


FIG. 3

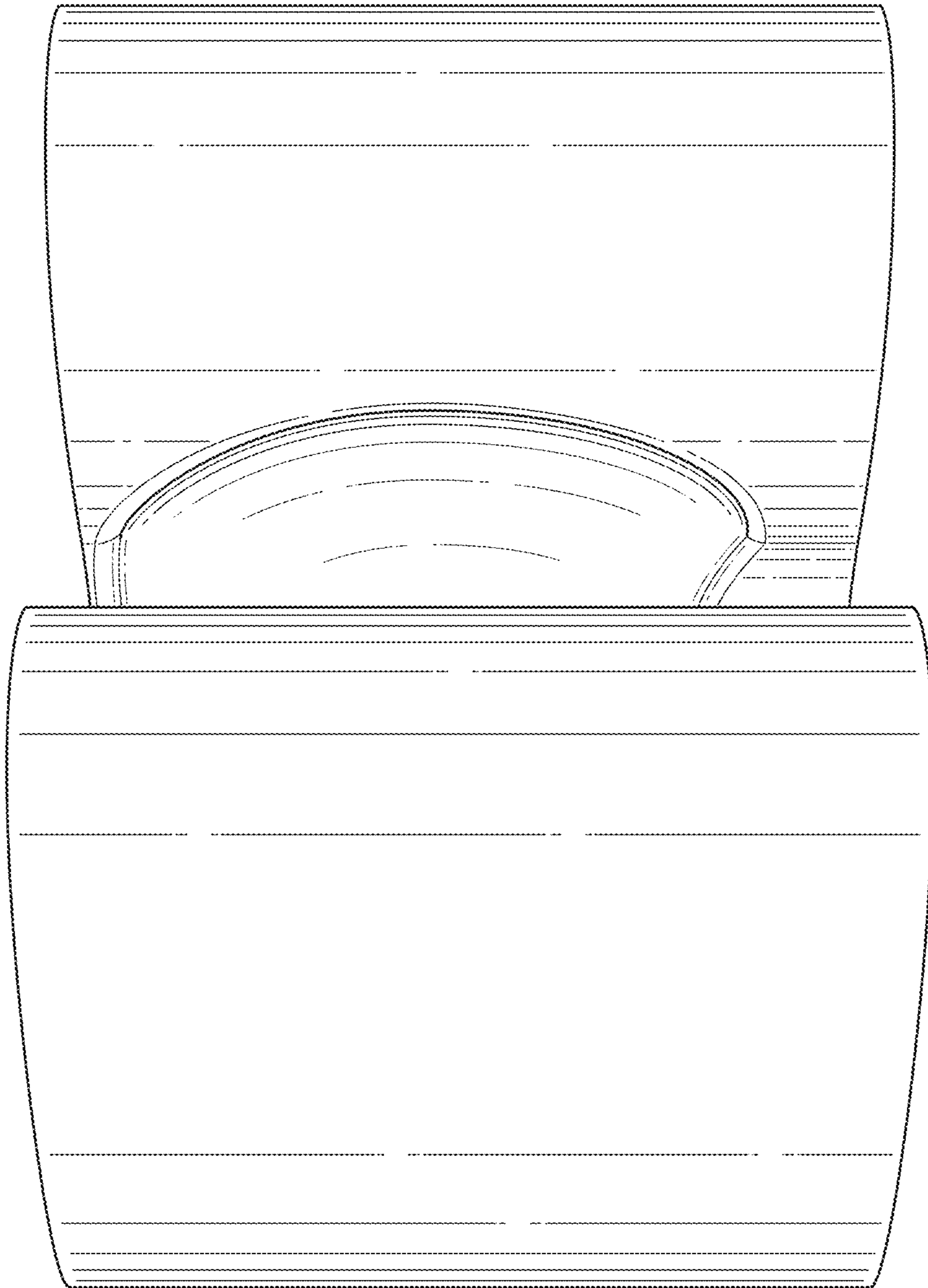


FIG. 4

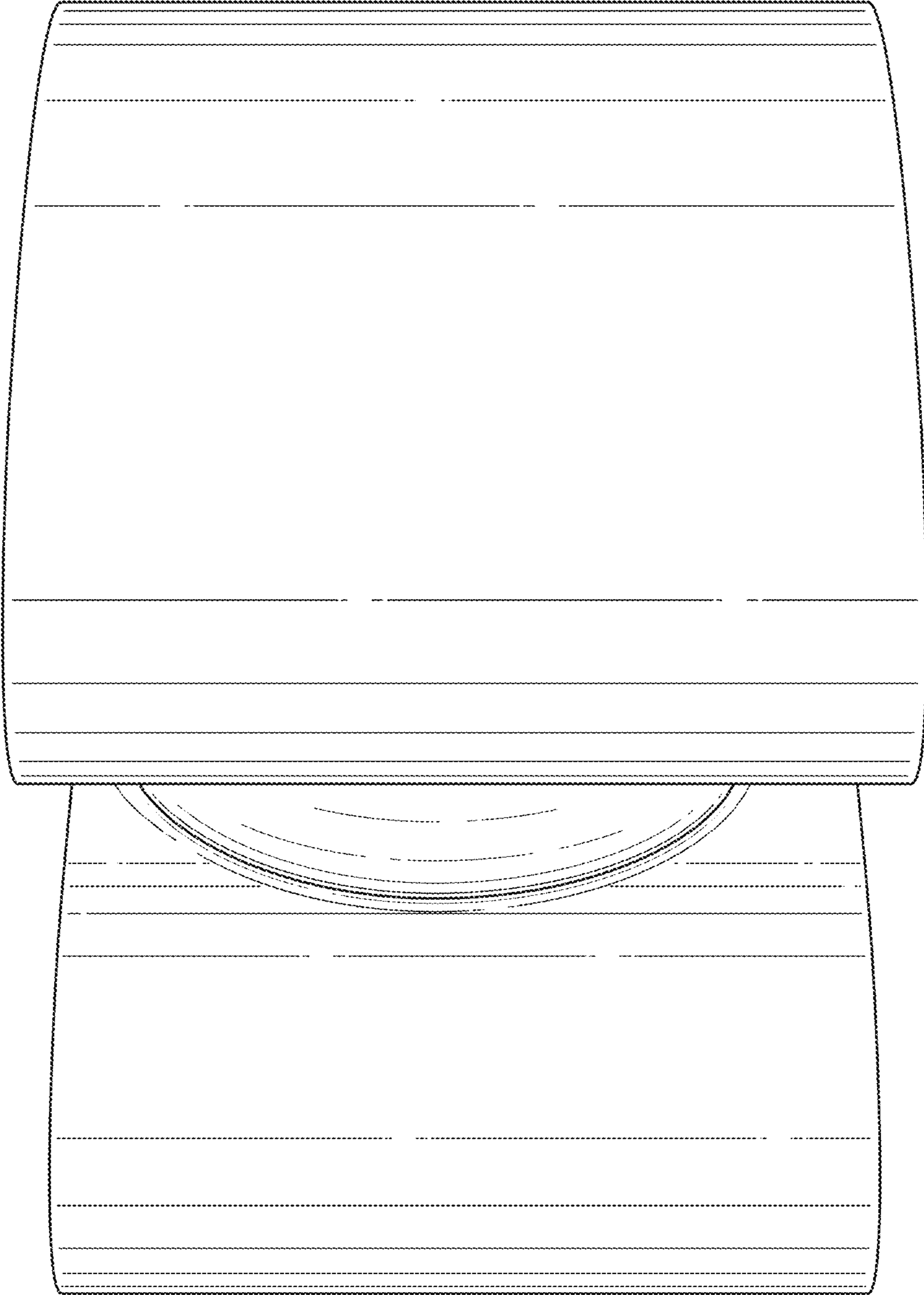


FIG. 5

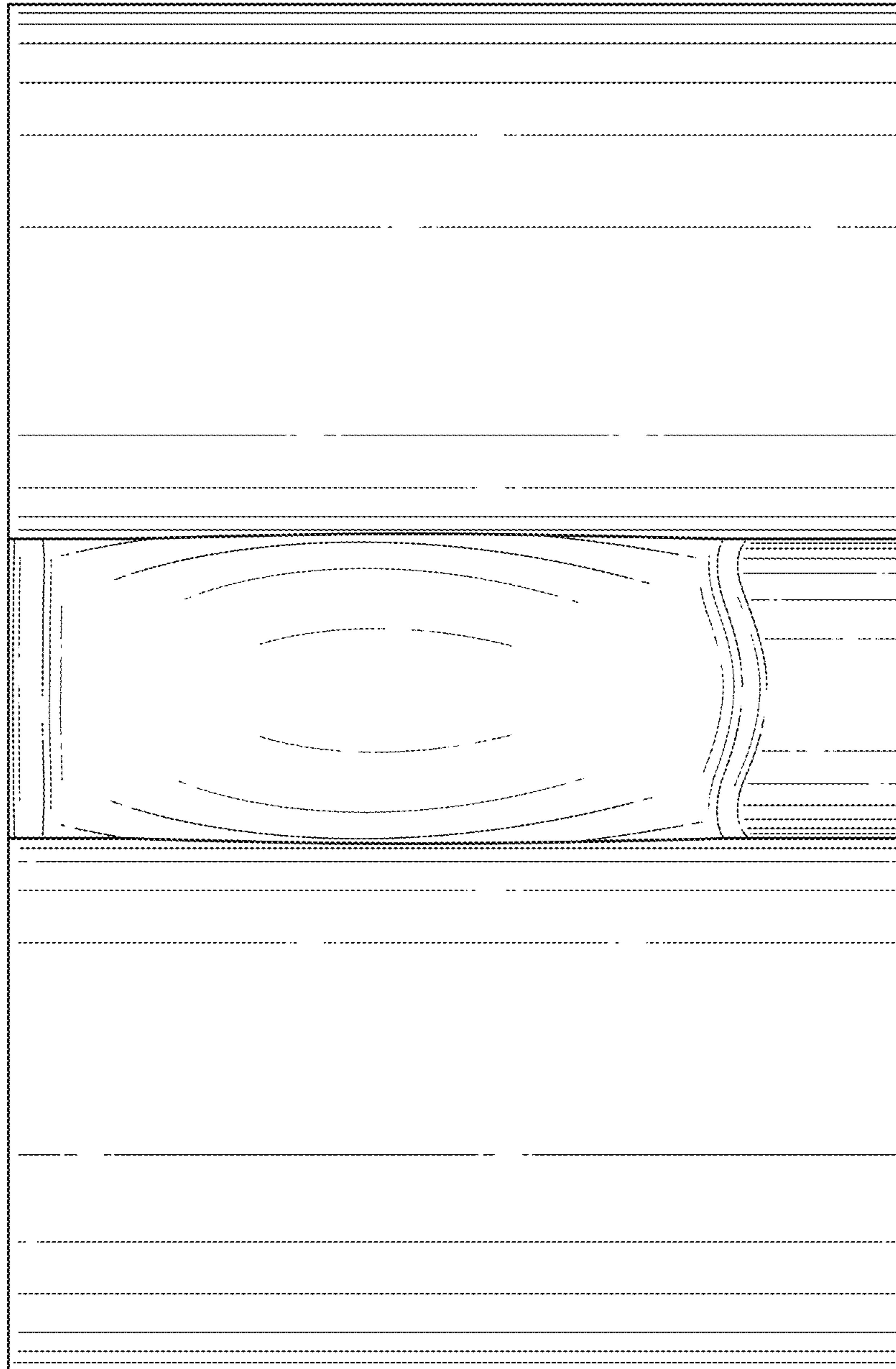


FIG. 6



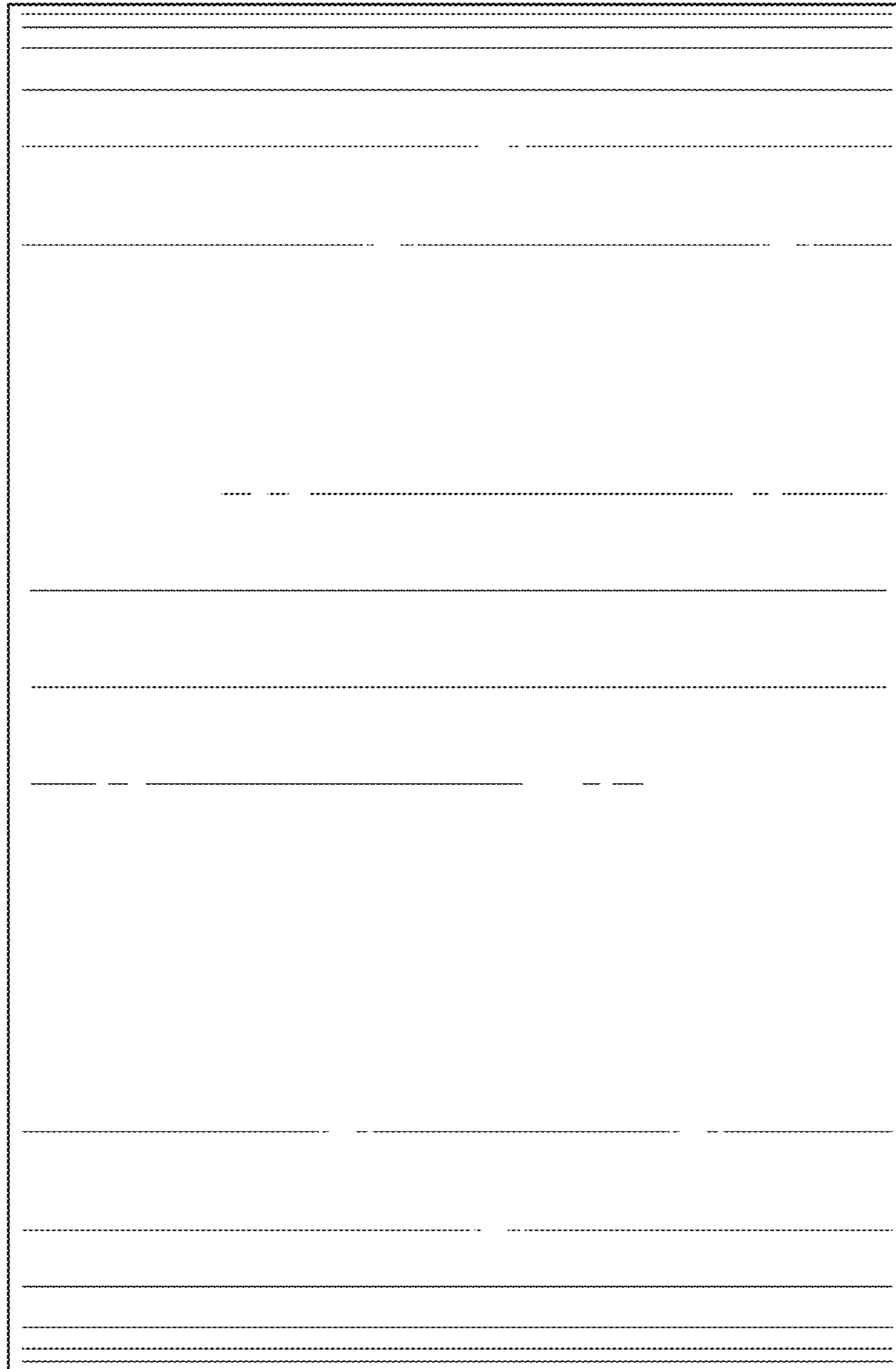


FIG. 7

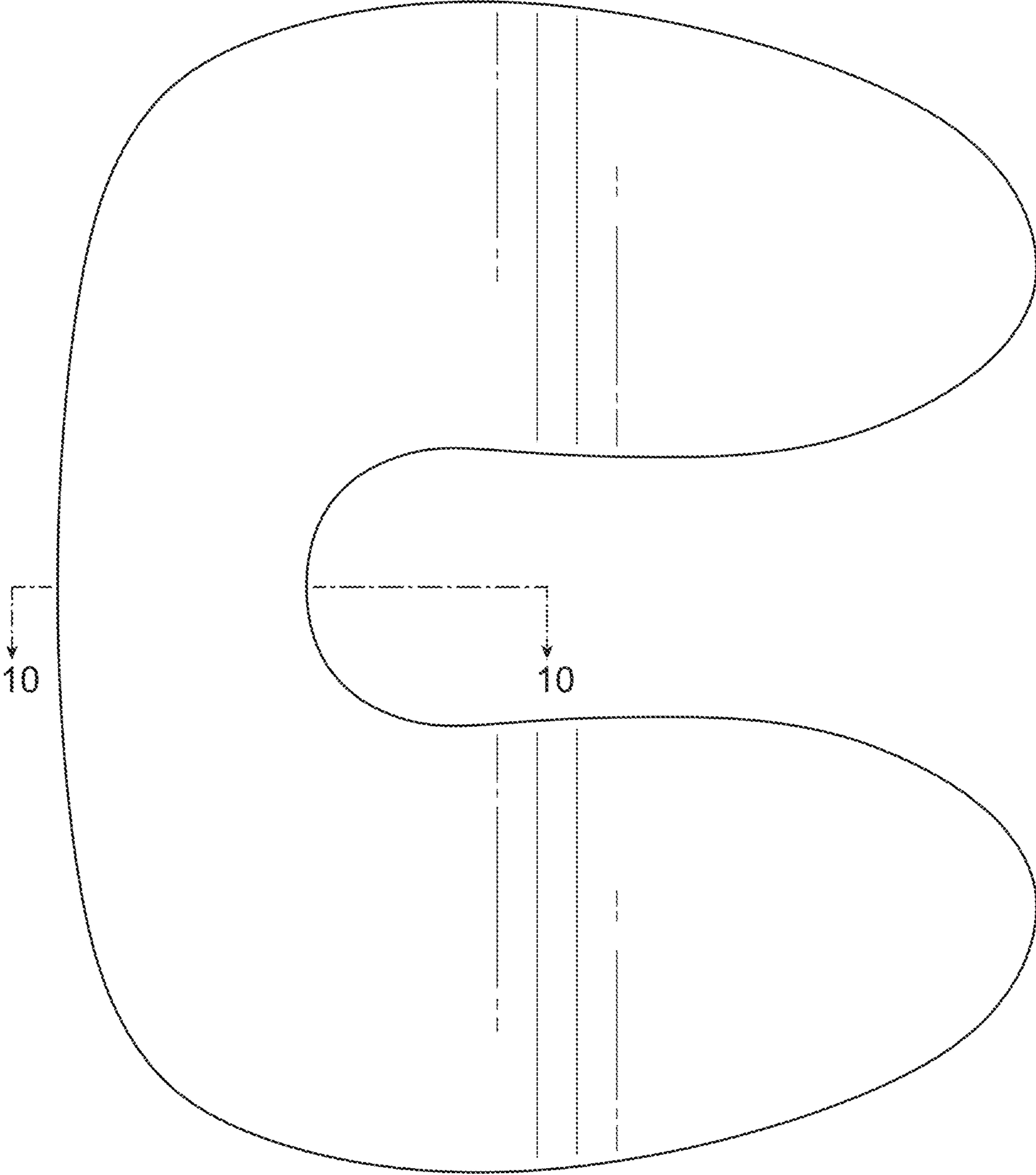


FIG. 8

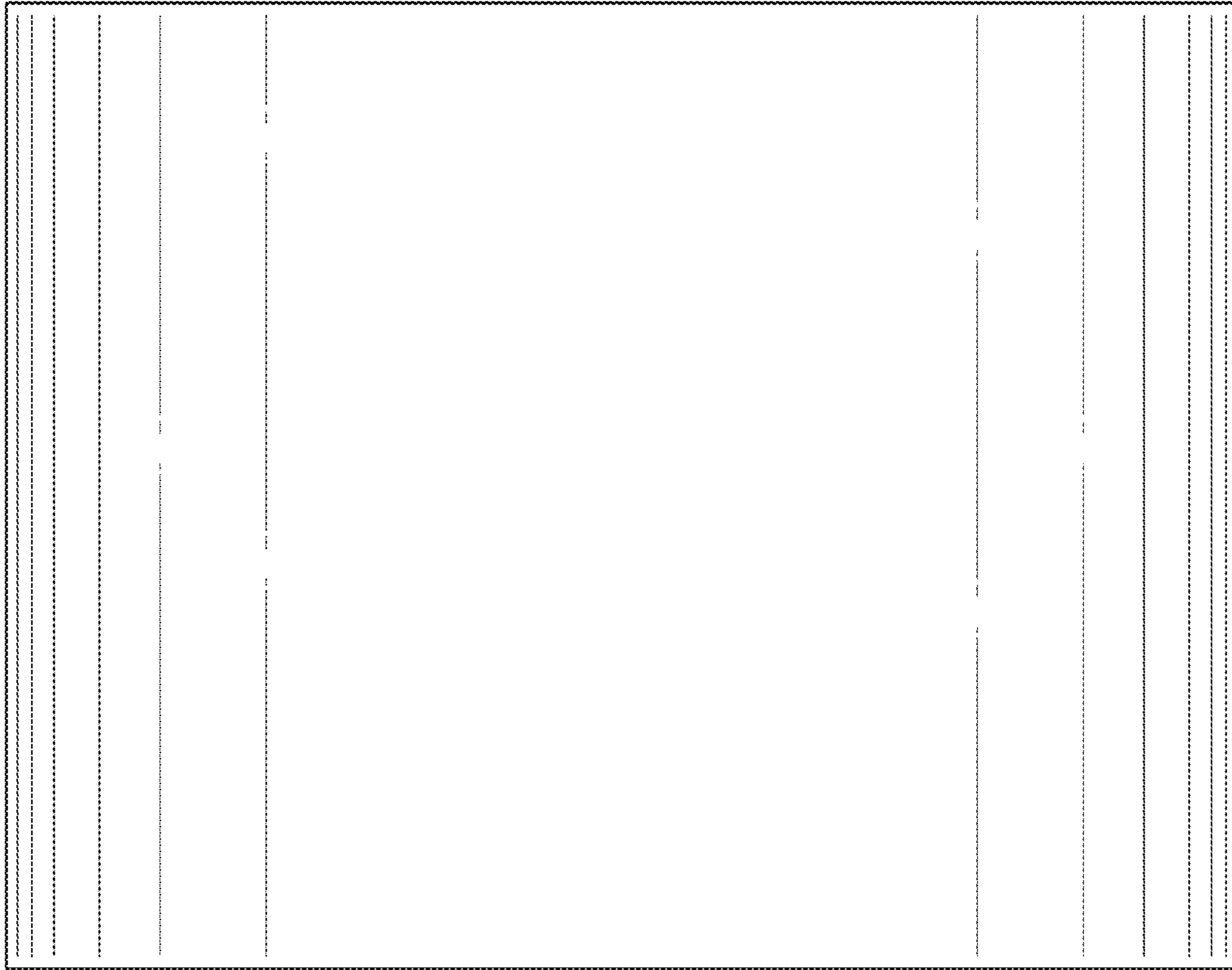


FIG. 9

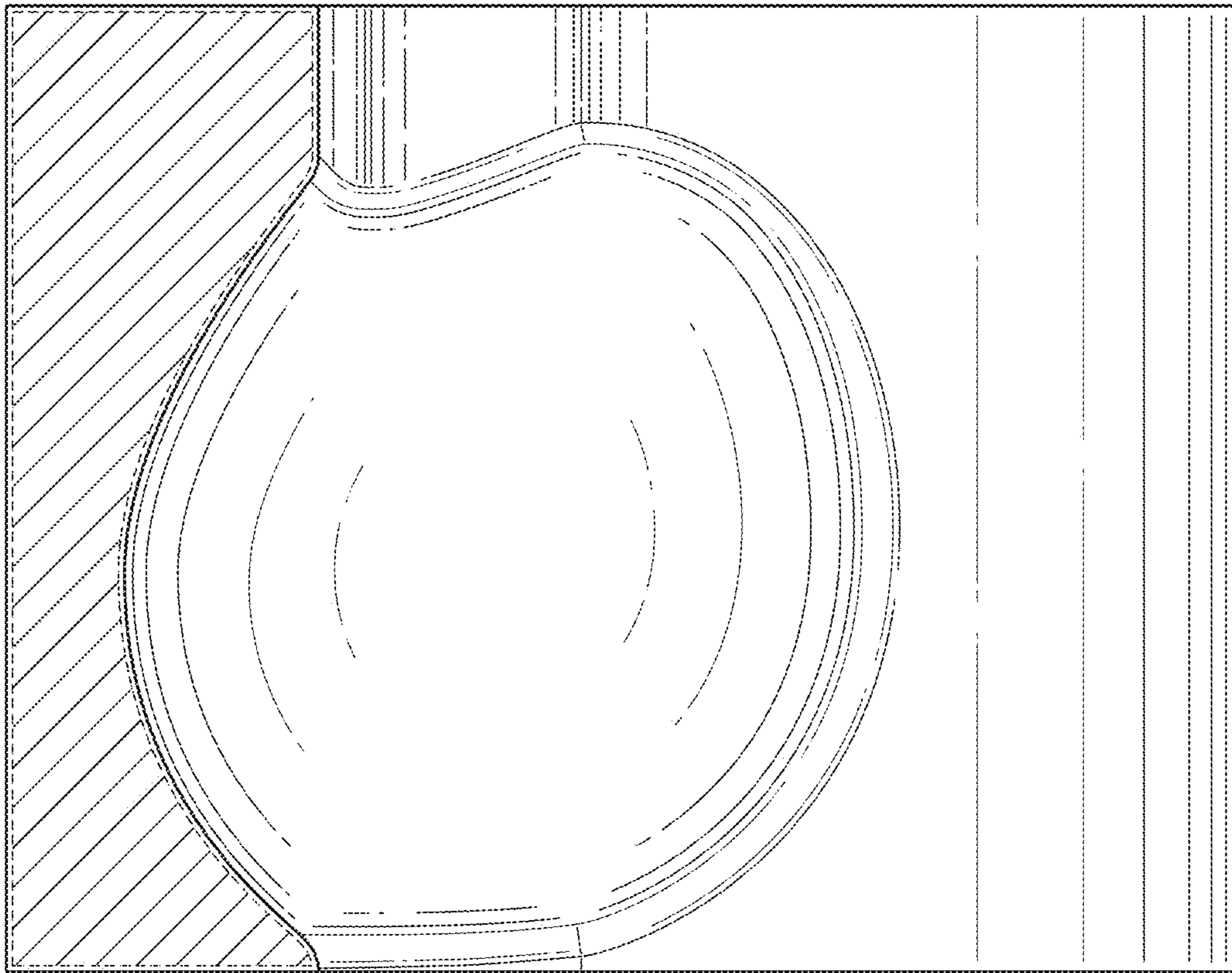


FIG. 10

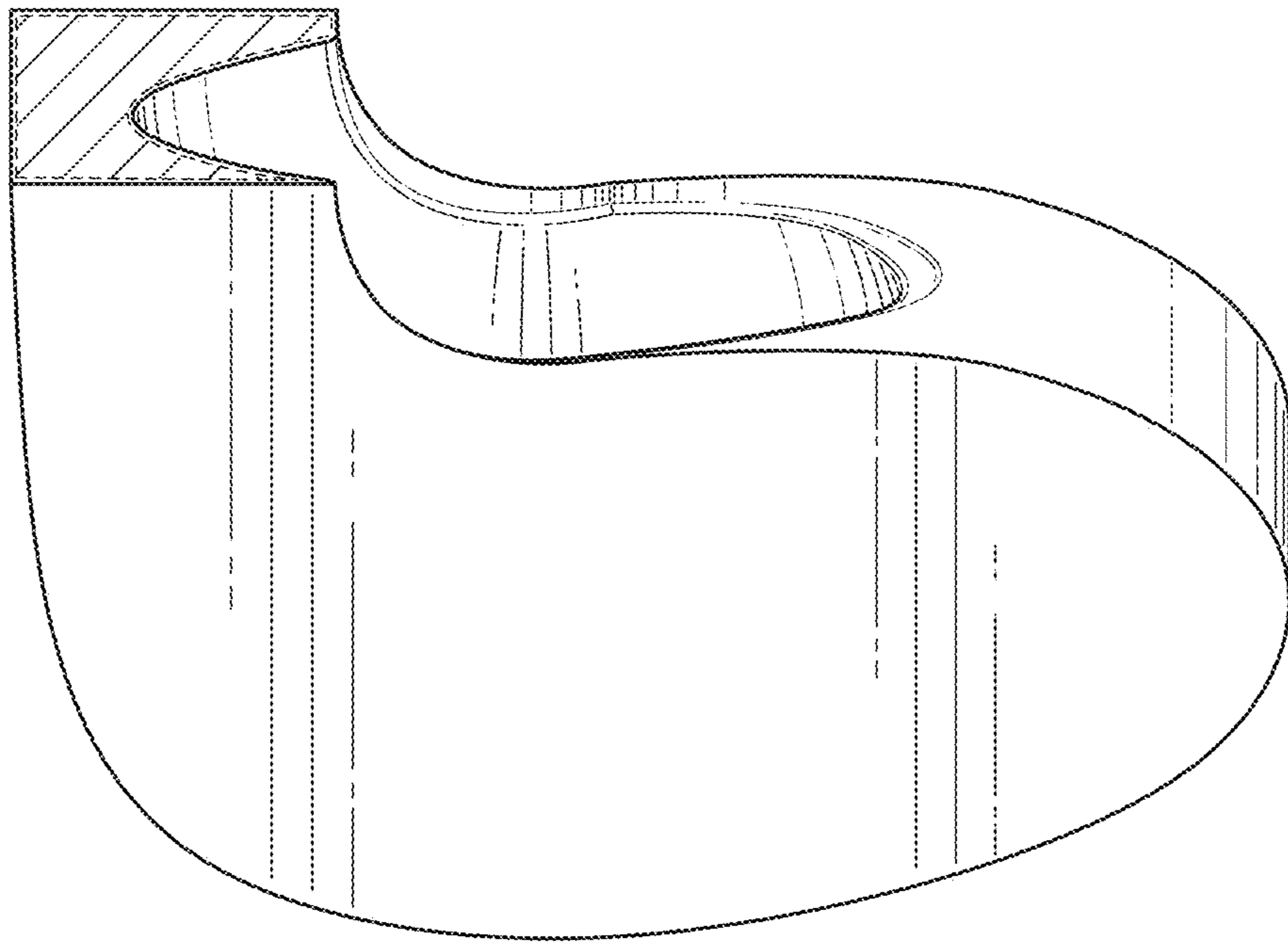


FIG. 11