



US00D986628S

(12) **United States Design Patent** (10) **Patent No.:** **US D986,628 S**
Zhou (45) **Date of Patent:** **** May 23, 2023**

(54) **SHOWER CADDY**

FOREIGN PATENT DOCUMENTS

(71) Applicant: **Kaiwei Zhou**, Chongqing (CN)

IN 335727-001-0001 * 12/2020
KR 300945871.0000 * 2/2018

(72) Inventor: **Kaiwei Zhou**, Chongqing (CN)

(**) Term: **15 Years**

OTHER PUBLICATIONS

(21) Appl. No.: **29/814,343**

(22) Filed: **Nov. 5, 2021**

(51) **LOC (14) Cl.** **06-04**

(52) **U.S. Cl.**

USPC **D6/574**

(58) **Field of Classification Search**

USPC D6/320, 524, 525, 533, 536, 537, 540,
D6/562, 566

CPC A47B 57/26; A47B 57/265; A47B 57/565;
A47B 95/008; A47B 96/002; A47B
96/024; A47K 1/08; A47K 1/09; A47K
3/001; A47K 3/004; A47K 3/281; A47K
5/03; A47K 7/024; A47K 17/00; A47K
2201/02

See application file for complete search history.

Jomoq Shower Caddy, 2 Pack Corner Shower Caddy, Adhesive Shower Organizer, Rustproof Stainless Steel No Drilling Shower Shelf for Bathroom and kitchen Storage, Matte Black <https://a.co/d/hvnAMAX>, Sep. 9, 2022 (Year: 2022).*

Bonn 1949 2 Pack Corner Shower Caddy ,Strong adhesive Shower Organizer Shelf with 8 hooks. Waterproof, rustproof wall-mounted shower shelves for bathroom ,dorm and kitchen .No Drilling (Black) . . . <https://a.co/d/ez92jKt>, Sep. 6, 2022 (Year: 2022).*

Eachpai Corner Shower Caddy with Hooks and Soap Dish, Adhesive No Drilling Shower Organizer for Bathroom Storage, Rustproof Bathroom Shelves , Kitchen Storage Rack 4 Pack <https://a.co/d/2vDgQDw>, Sep. 9, 2021 (Year: 2021).*

* cited by examiner

Primary Examiner — Jennifer L Rempfer

Assistant Examiner — Bethany Louise Mallino

(57) **CLAIM**

The ornamental design for a shower caddy, as shown and described.

(56) **References Cited**

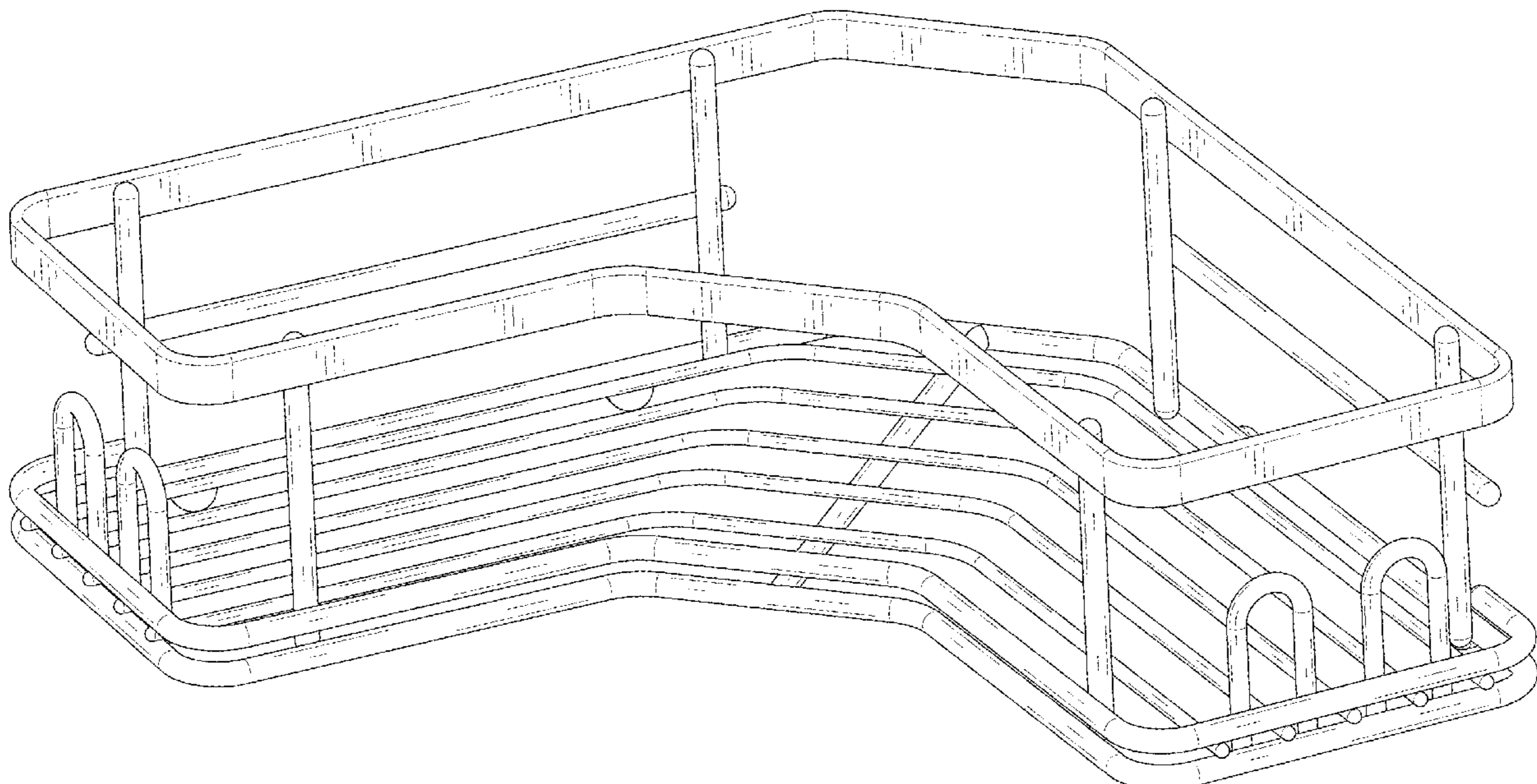
DESCRIPTION

U.S. PATENT DOCUMENTS

D444,333	S	*	7/2001	Ferrer Beltran	D6/540
D479,421	S	*	9/2003	Snell	D6/525
D509,361	S	*	9/2005	Suero, Jr.	D6/525
D572,060	S	*	7/2008	Snider	D6/525
D574,650	S	*	8/2008	Snider	D6/525
D612,648	S	*	3/2010	Guindi	D6/536
D699,975	S	*	2/2014	Snider	D6/525
D907,397	S	*	1/2021	Huang	D6/525
D970,249	S	*	11/2022	Wang	D6/525
D971,631	S	*	12/2022	Dai	D6/525
D972,860	S	*	12/2022	Zhou	D6/525

FIG. 1 is a perspective view of a shower caddy showing my new design;
FIG. 2 is another perspective view thereof;
FIG. 3 is a front elevational view thereof;
FIG. 4 is a rear elevational view thereof;
FIG. 5 is a left side elevational view thereof;
FIG. 6 is a right side elevational view thereof;
FIG. 7 is a top plan view thereof; and,
FIG. 8 is a bottom plan view thereof.

1 Claim, 8 Drawing Sheets



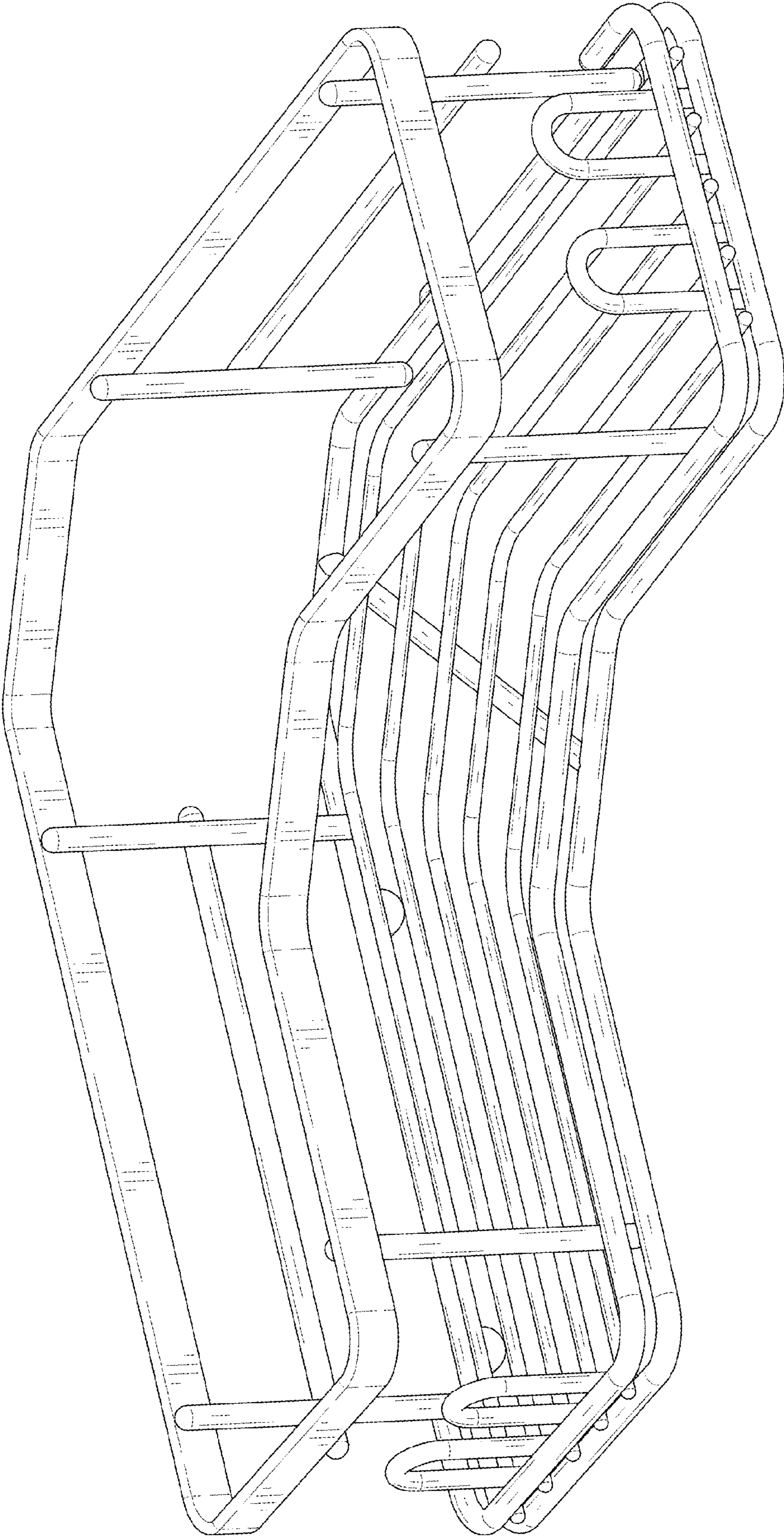


FIG. 1

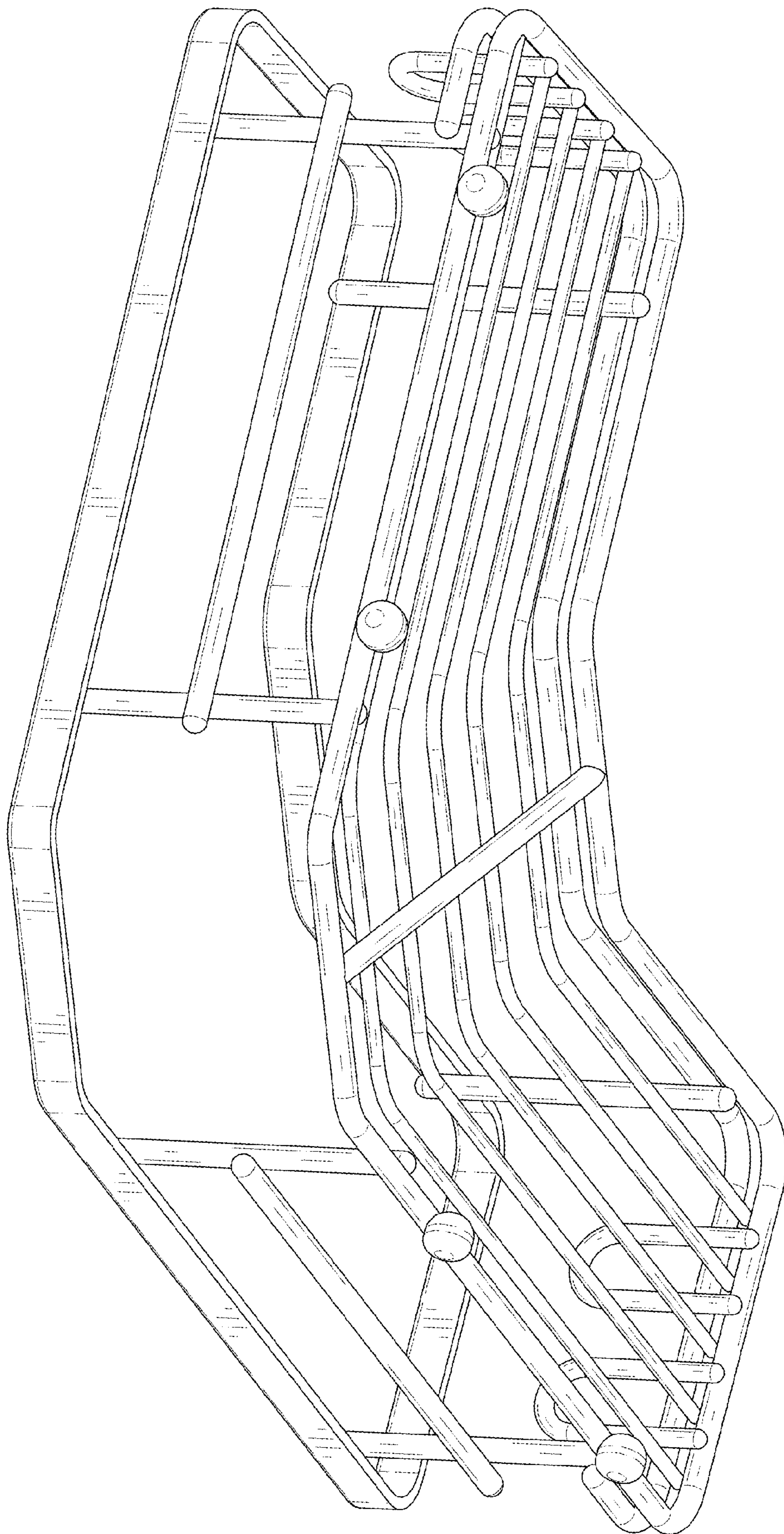


FIG. 2

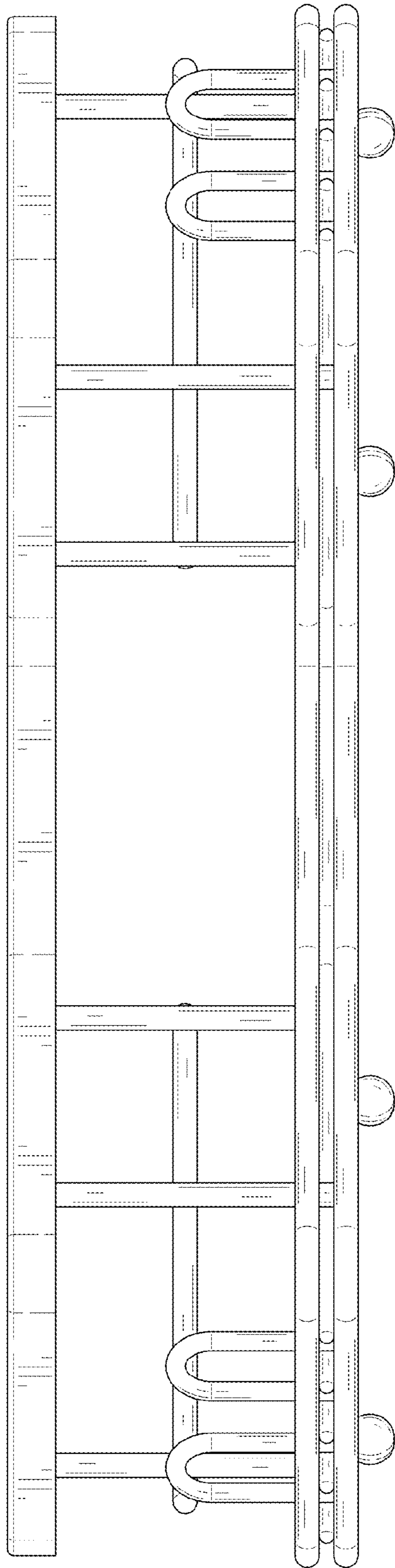


FIG. 3

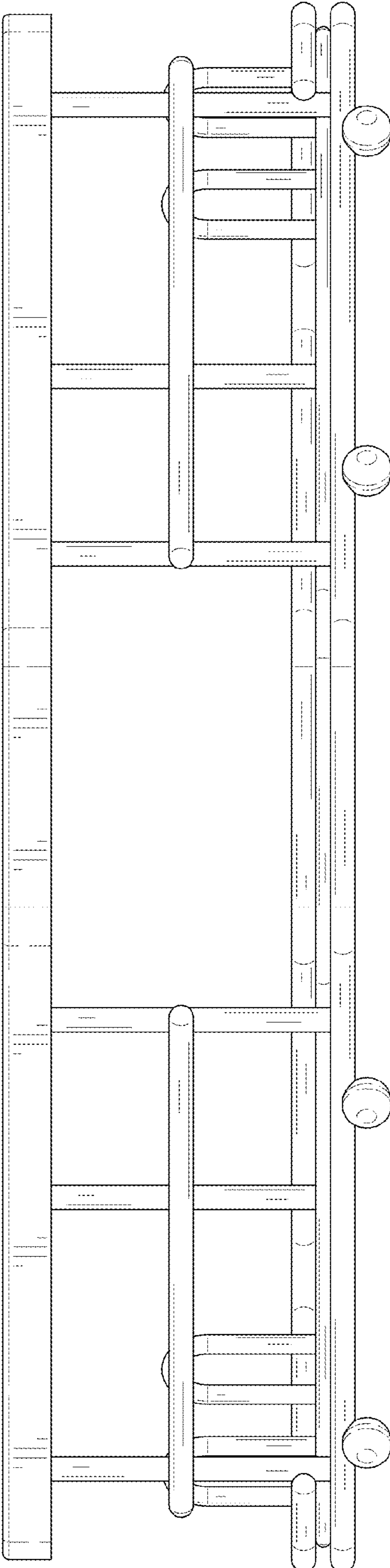


FIG. 4

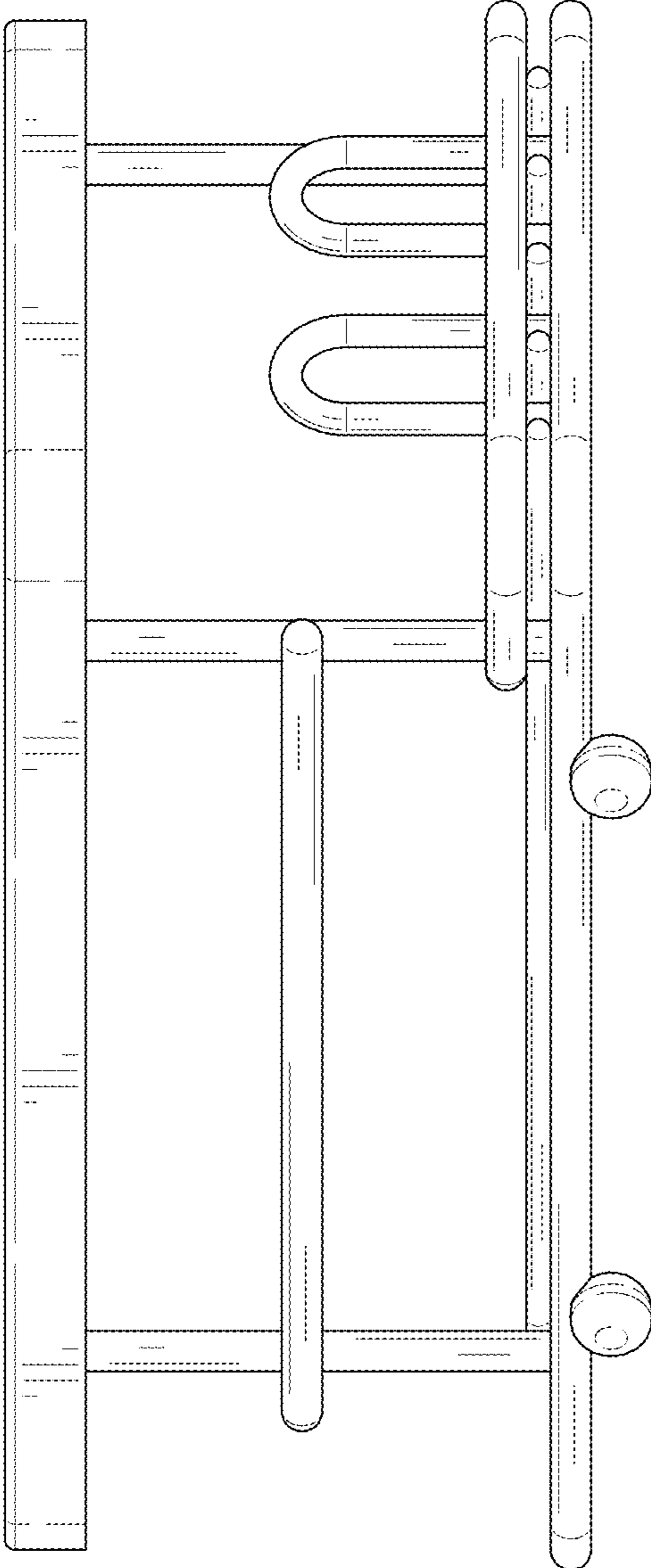


FIG. 5

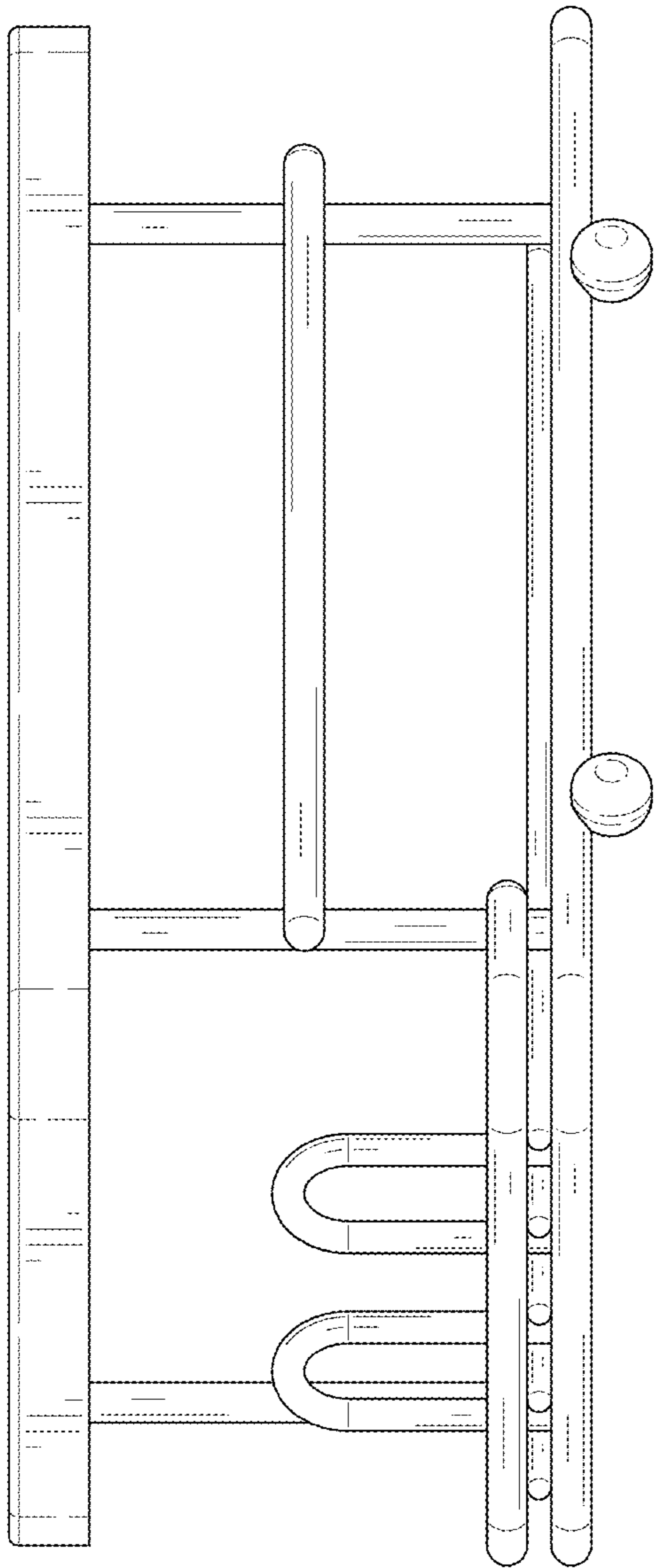


FIG. 6

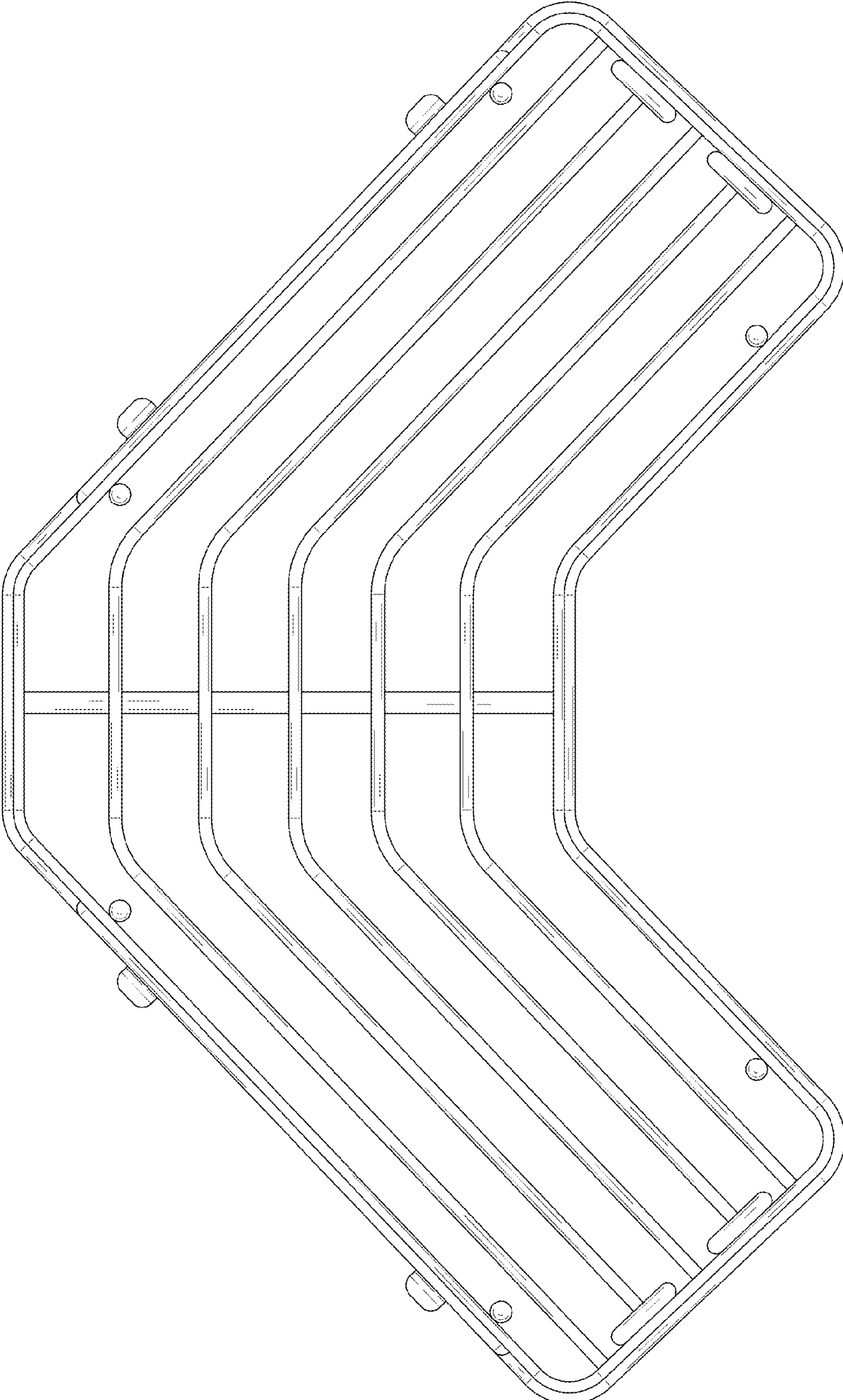


FIG. 7

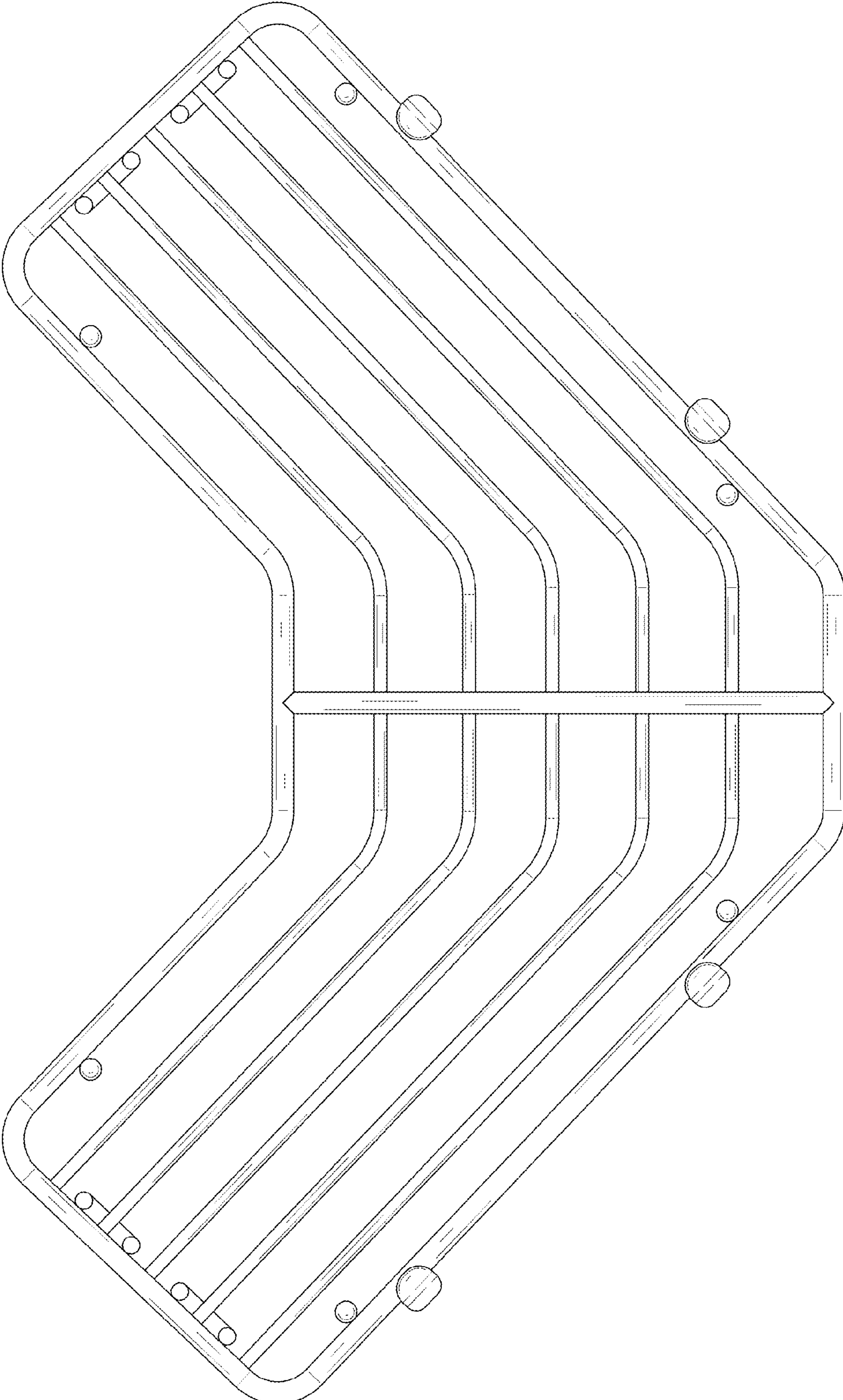


FIG. 8