



US00D986627S

(12) **United States Design Patent** (10) **Patent No.:** **US D986,627 S**  
**Jiang** (45) **Date of Patent:** **\*\* May 23, 2023**

(54) **WALL MOUNT**  
(71) Applicant: **Yanna Jiang**, Zhejiang (CN)  
(72) Inventor: **Yanna Jiang**, Zhejiang (CN)  
(\*\*) Term: **15 Years**  
(21) Appl. No.: **29/801,880**  
(22) Filed: **Aug. 2, 2021**  
(51) **LOC (14) Cl.** ..... **06-04**  
(52) **U.S. Cl.**  
USPC ..... **D6/574**  
(58) **Field of Classification Search**  
USPC ..... D3/218; D6/406.1, 406.6, 570-572, 574,  
D6/675, 675.2, 705.1, 705.7; D8/349,  
D8/354, 359, 373, 381; D12/407;  
D14/371, 373, 374, 449  
CPC ..... A47B 43/00; A47B 43/04; A47B 46/00;  
A47B 47/02; A47B 47/04; A47B  
47/0066; A47B 63/00; A47B 69/00; A47B  
71/00; A47B 87/00; A47B 88/40; A47B  
96/02; A47B 96/025; A47B 96/028  
See application file for complete search history.

D878,102 S \* 3/2020 Carr ..... D6/574  
D925,955 S \* 7/2021 Greenwood ..... D6/705  
D957,852 S \* 7/2022 Stelmarski ..... D6/675

**FOREIGN PATENT DOCUMENTS**

CN 305587787 \* 2/2020  
CN 306265203 \* 1/2021

**OTHER PUBLICATIONS**

Vivo Wall Mounted Folding 43 inch Workbench, Fold Away Table  
Workstation Shelf with Adjustable Steel Brackets, Black, Mount-  
SF1FB <https://a.co/d/5vbYGI>s, Jul. 5, 2019 (Year: 2019).\*

(Continued)

*Primary Examiner* — Jennifer L Rempfer  
*Assistant Examiner* — Bethany Louise Mallino  
(74) *Attorney, Agent, or Firm* — True Shepherd, LLC;  
Andrew Cheng

(57) **CLAIM**

The ornamental design for a wall mount, as shown and  
described.

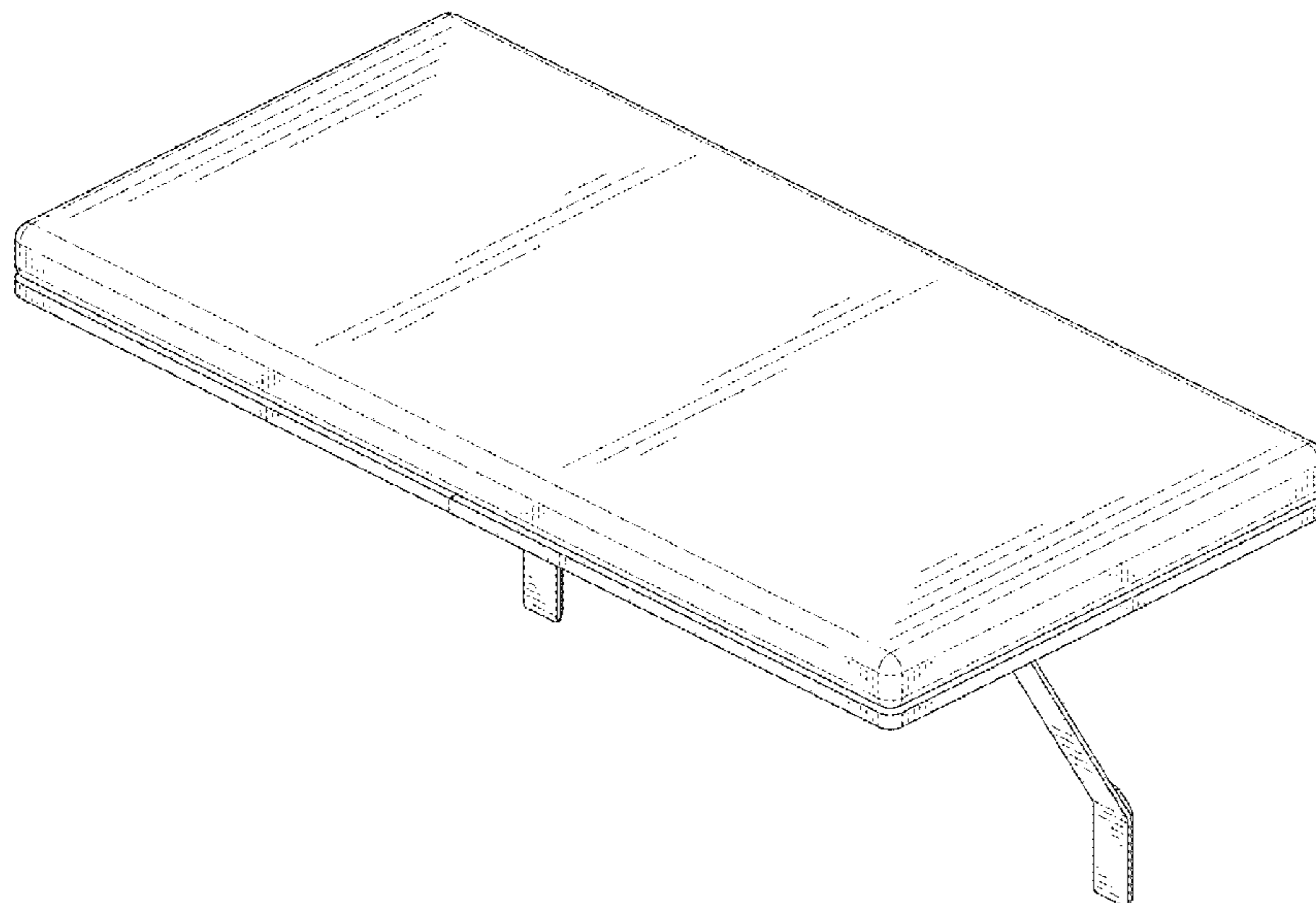
**DESCRIPTION**

FIG. 1 is a front, right, and top perspective view of a wall  
mount, showing my design.  
FIG. 2 is a rear, left, and bottom perspective view thereof.  
FIG. 3 is a front elevation view thereof.  
FIG. 4 is a rear elevation view thereof.  
FIG. 5 is a left side elevation view thereof.  
FIG. 6 is a right side elevation view thereof.  
FIG. 7 is a top plan view thereof; and,  
FIG. 8 is a bottom plan view thereof.  
The broken lines shown in the drawings are included for the  
purpose of illustrating portions of the wall mount that form  
no part of the claimed design.

**1 Claim, 8 Drawing Sheets**

(56) **References Cited**  
U.S. PATENT DOCUMENTS

D282,132 S \* 1/1986 Santner ..... D6/705  
D311,126 S \* 10/1990 Crowley ..... D8/354  
D408,649 S \* 4/1999 Bucklitzsch ..... D7/698  
D426,409 S \* 6/2000 Clark ..... D6/513  
D481,350 S \* 10/2003 McCoy ..... D12/400  
D484,151 S \* 12/2003 Becke ..... D15/89  
D620,942 S \* 8/2010 Huang ..... D14/447  
D621,692 S \* 8/2010 Clarke ..... D8/354  
D793,401 S \* 8/2017 Reviel ..... A47B 97/00  
D14/449  
D801,094 S \* 10/2017 Verna ..... D6/705  
D811,139 S \* 2/2018 Lee ..... D6/705.1  
D811,140 S \* 2/2018 Lee ..... D6/705.1  
D840,915 S \* 2/2019 Badillo ..... D12/412



(56)

**References Cited**

OTHER PUBLICATIONS

Vivo TV and Monitor Top Shelf Mounting Bracket with 24 inch Padded Platform and Rotary Clamp, Holds Small Speakers, Sound Bars, Streaming Devices, Home Decor, and More, Mount-SFTV3 <https://a.co/d/9eXs6JM>, May 13, 2020 (Year: 2020).\*

Cambro Wall Shelf: Solid Shelf, 48 in×18 in×13 ½ in, Silver, 400 lb Load Capacity per Shelf, <https://www.grainger.com/product/4UHY2>, Mar. 26, 2014 (Year: 2014).\*

\* cited by examiner

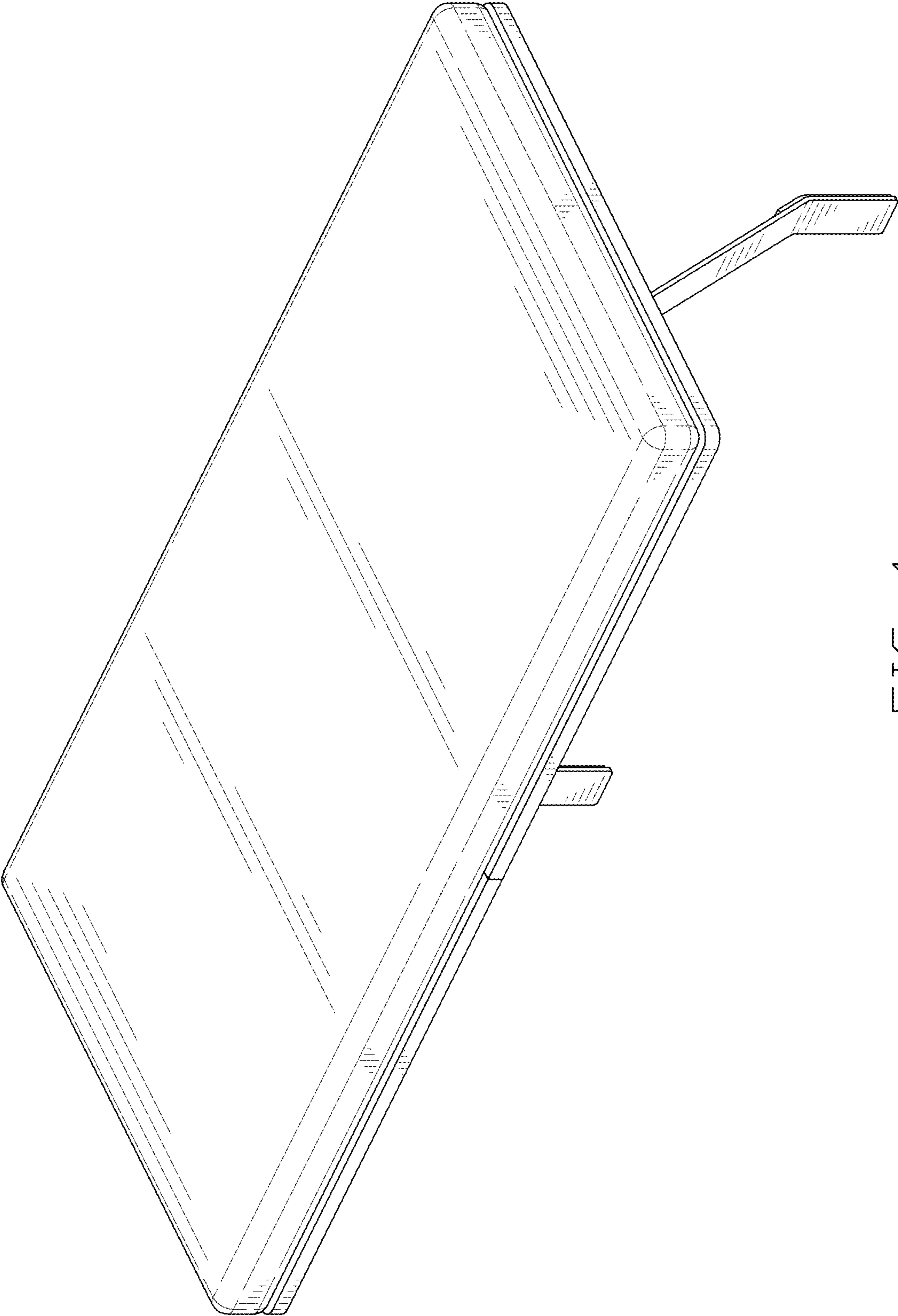


FIG. 1

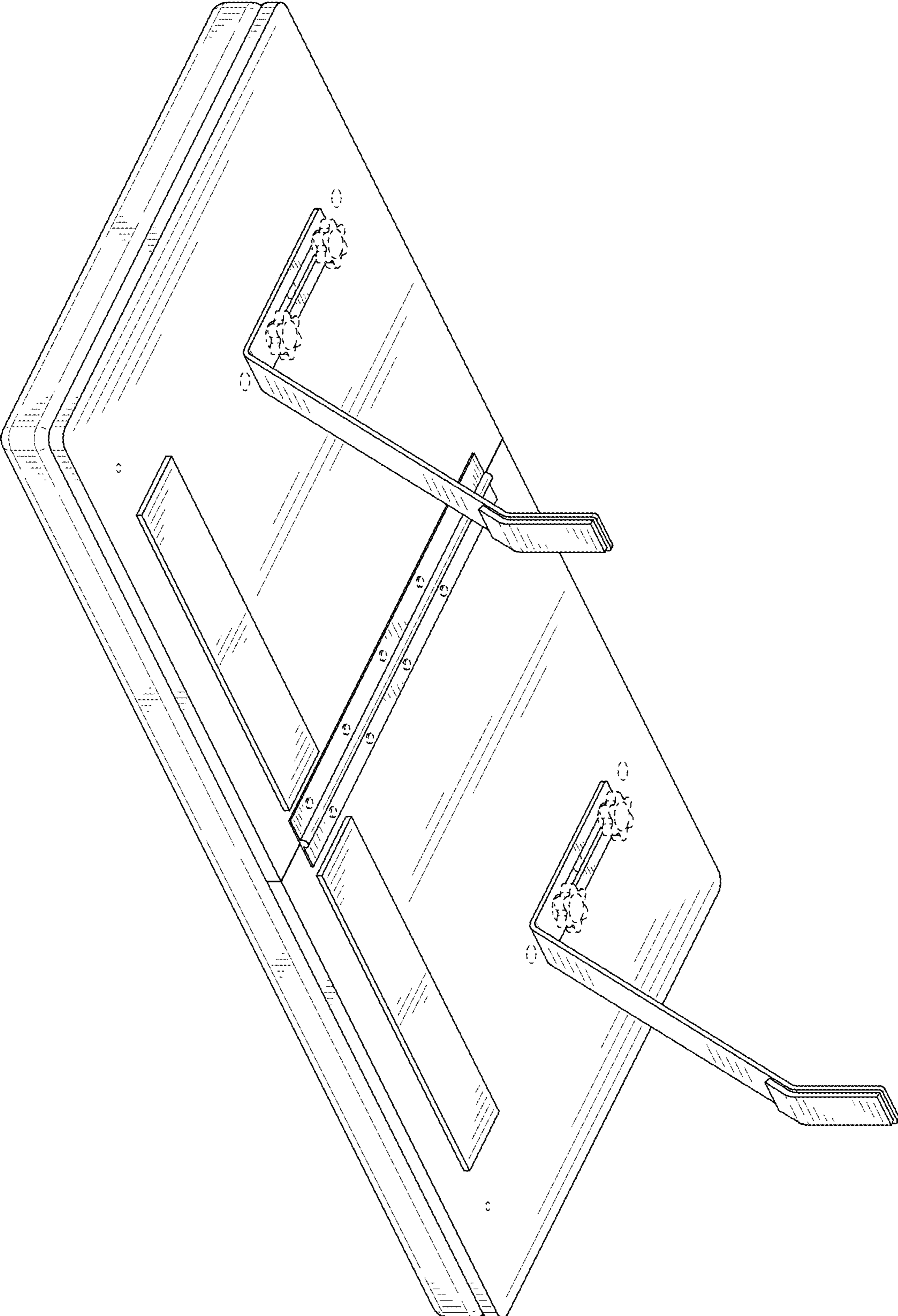


FIG. 2



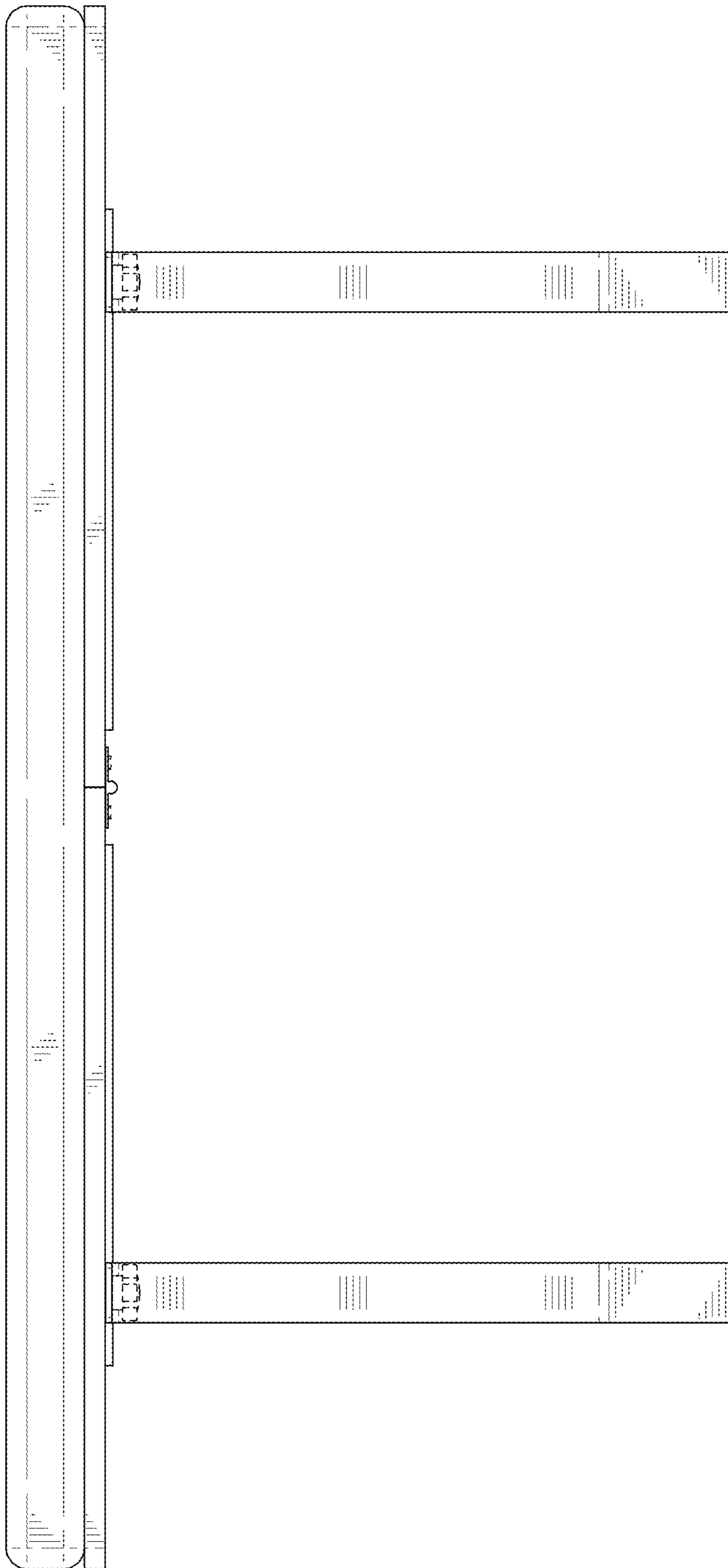


FIG. 3

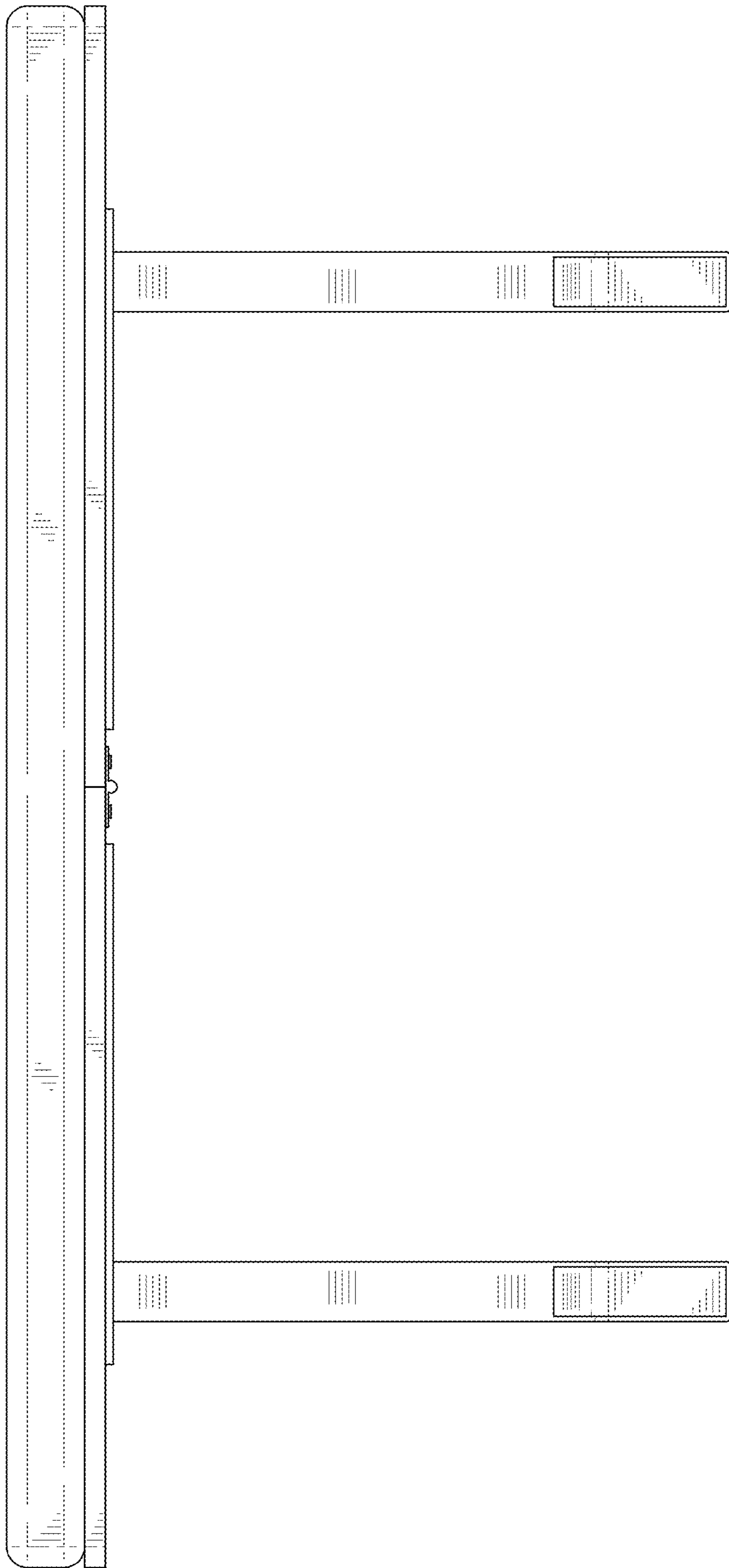


FIG. 4

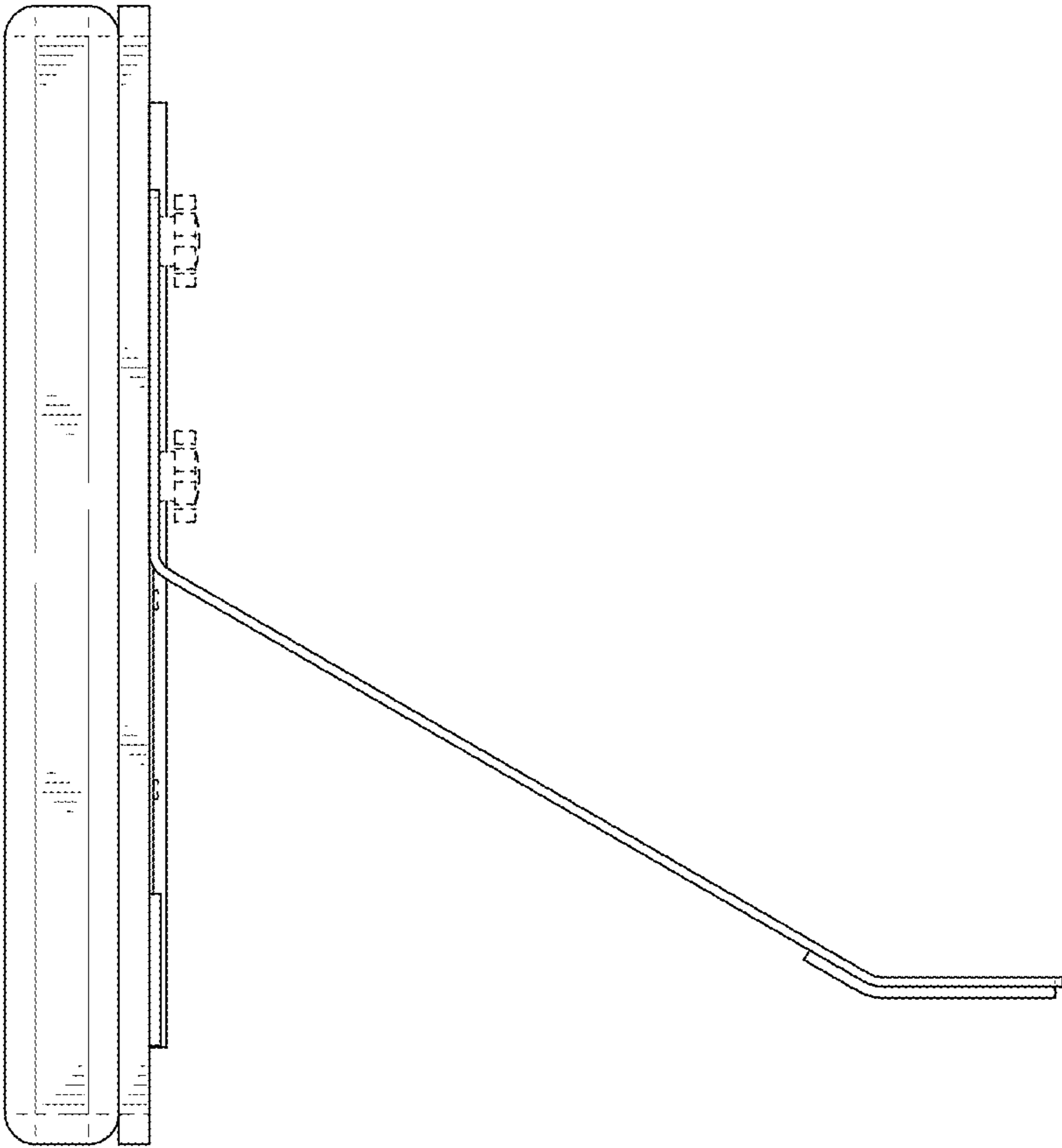


FIG. 5

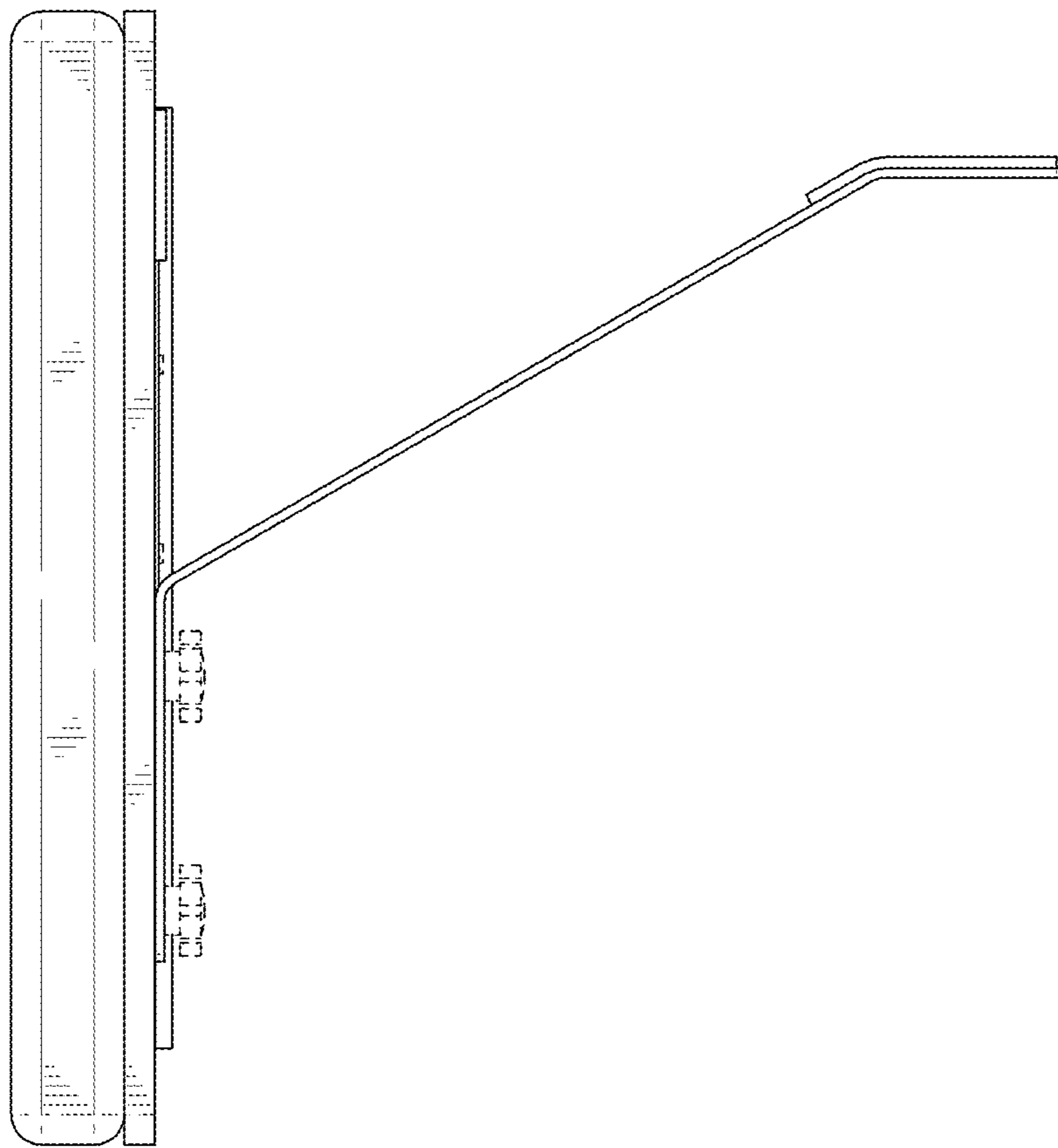


FIG. 6



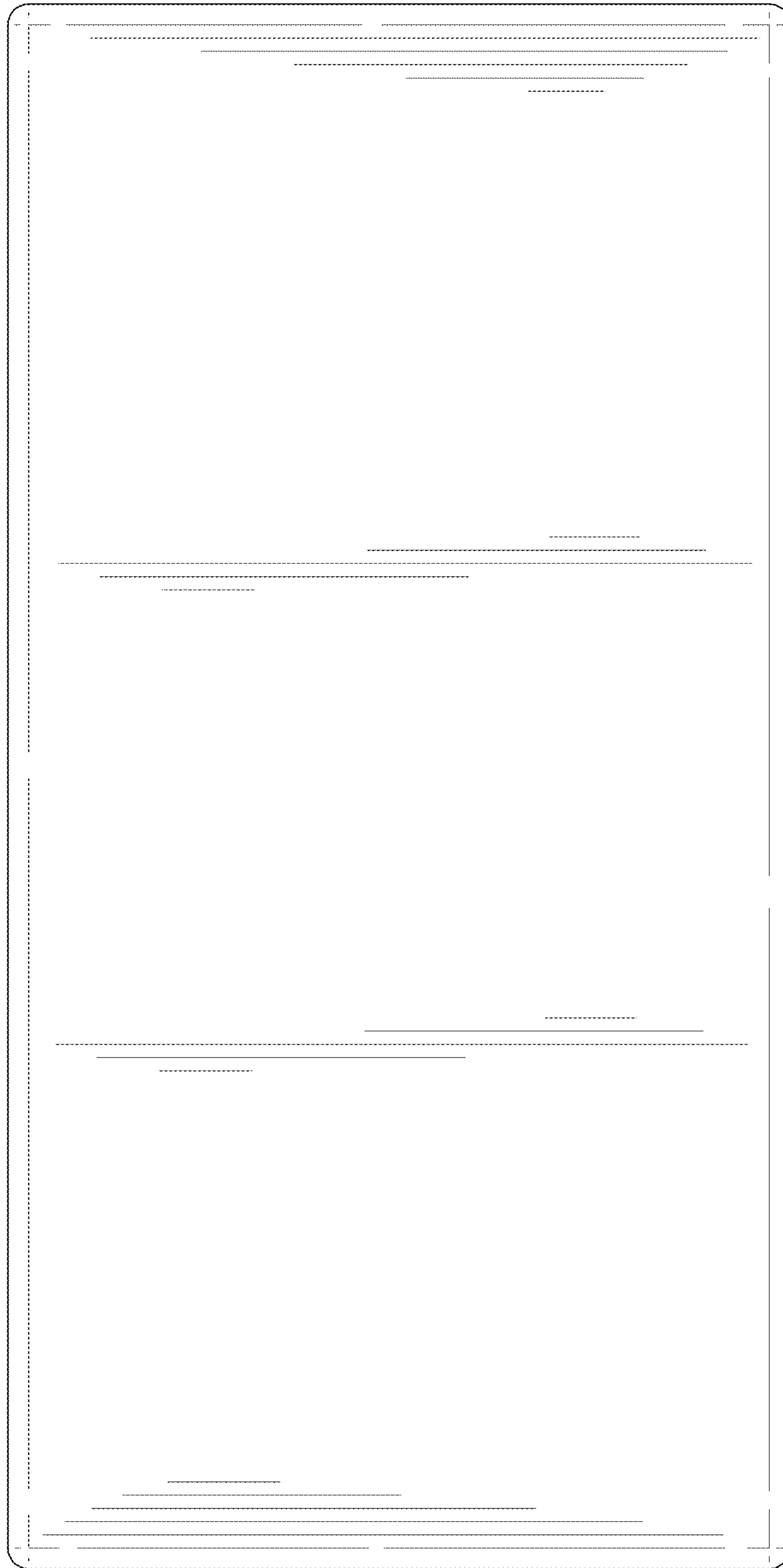


FIG. 7

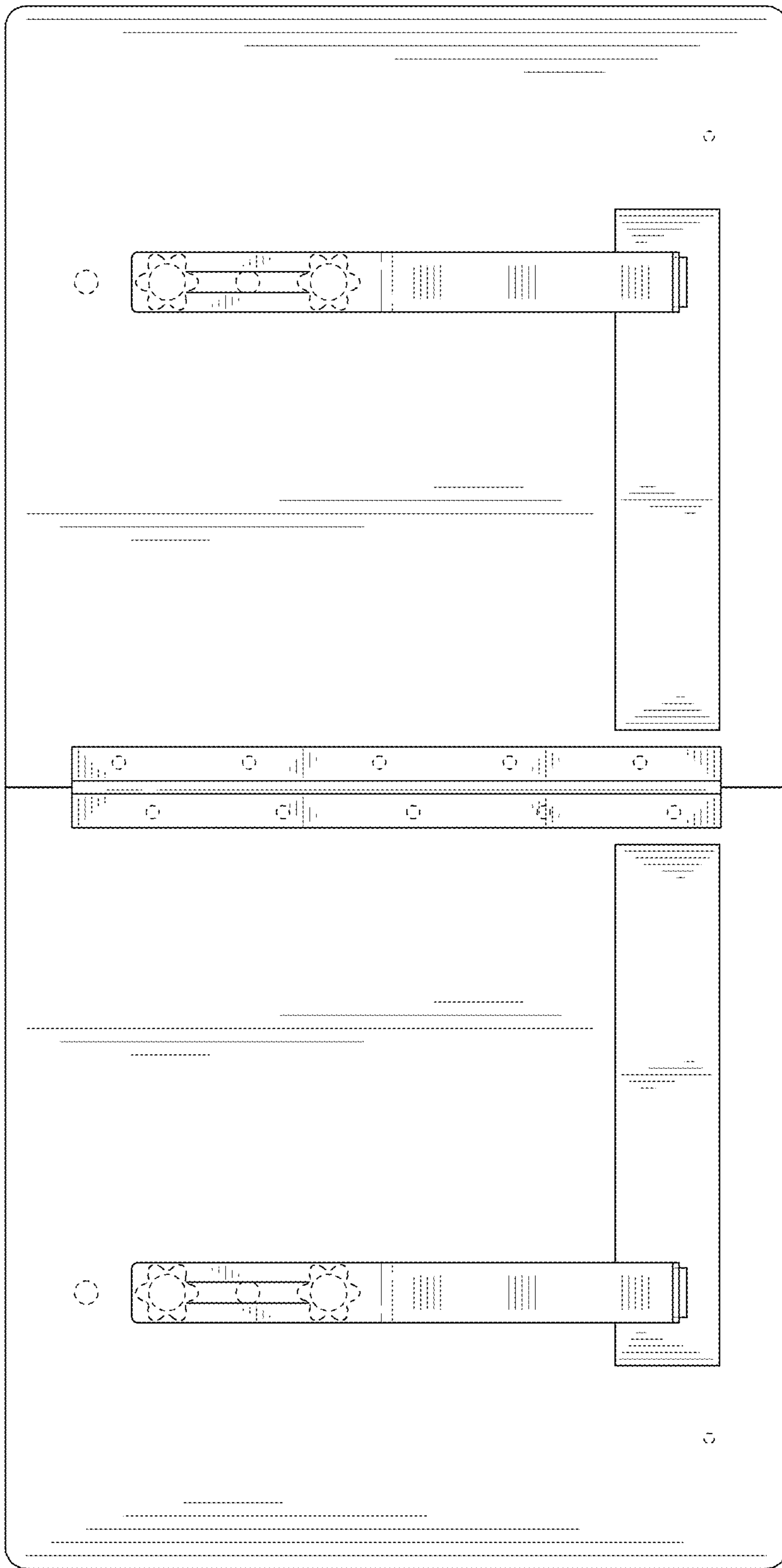


FIG. 8