



US00D986625S

(12) **United States Design Patent**  
**Chen**

(10) **Patent No.:** **US D986,625 S**

(45) **Date of Patent:** **\*\* May 23, 2023**

- (54) **HANGING STORAGE BOX**
  - (71) Applicant: **Mingshou Chen**, Fujian (CN)
  - (72) Inventor: **Mingshou Chen**, Fujian (CN)
  - (\*\*) Term: **15 Years**
  - (21) Appl. No.: **29/848,456**
  - (22) Filed: **Aug. 2, 2022**
  - (51) **LOC (14) Cl.** ..... **23-02**
  - (52) **U.S. Cl.**  
USPC ..... **D6/553**
  - (58) **Field of Classification Search**  
USPC ..... D6/553, 512-514, 525, 524, 536, 540,  
D6/566; 211/13.1, 74, 71.01, 86.01, 75,  
211/126.1, 133.5, 181.1, 134; D3/304  
CPC ..... A47K 17/00; A47K 3/281; A47K 3/001;  
B23P 17/04; A47B 57/265; A47B 57/565;  
A47B 57/26
- See application file for complete search history.

- D452,097 S \* 12/2001 Zetsche ..... D6/535
- D453,646 S \* 2/2002 Gottwald ..... D6/535
- 6,560,983 B1 \* 5/2003 Schimmeyer ..... B60N 3/103  
248/311.2
- D616,688 S \* 6/2010 Hernandez ..... D6/553
- D662,785 S \* 7/2012 Kern ..... D32/55
- D727,654 S \* 4/2015 Tollasepp ..... D6/553
- D762,980 S \* 8/2016 Aller ..... D3/304
- D766,611 S \* 9/2016 Bileth ..... A47G 23/0225  
D6/512
- D821,141 S \* 6/2018 Youngmann ..... D7/378
- D845,028 S \* 4/2019 Corona ..... D6/553
- D901,179 S 11/2020 Xie
- D974,122 S \* 1/2023 Lee ..... D7/620
- 2004/0084593 A1 \* 5/2004 Barfield ..... B25H 3/04  
248/311.2

\* cited by examiner

*Primary Examiner* — Nathan M Johnston  
(74) *Attorney, Agent, or Firm* — Che-Yang Chen; Law  
Office of Michael Chen

(57) **CLAIM**

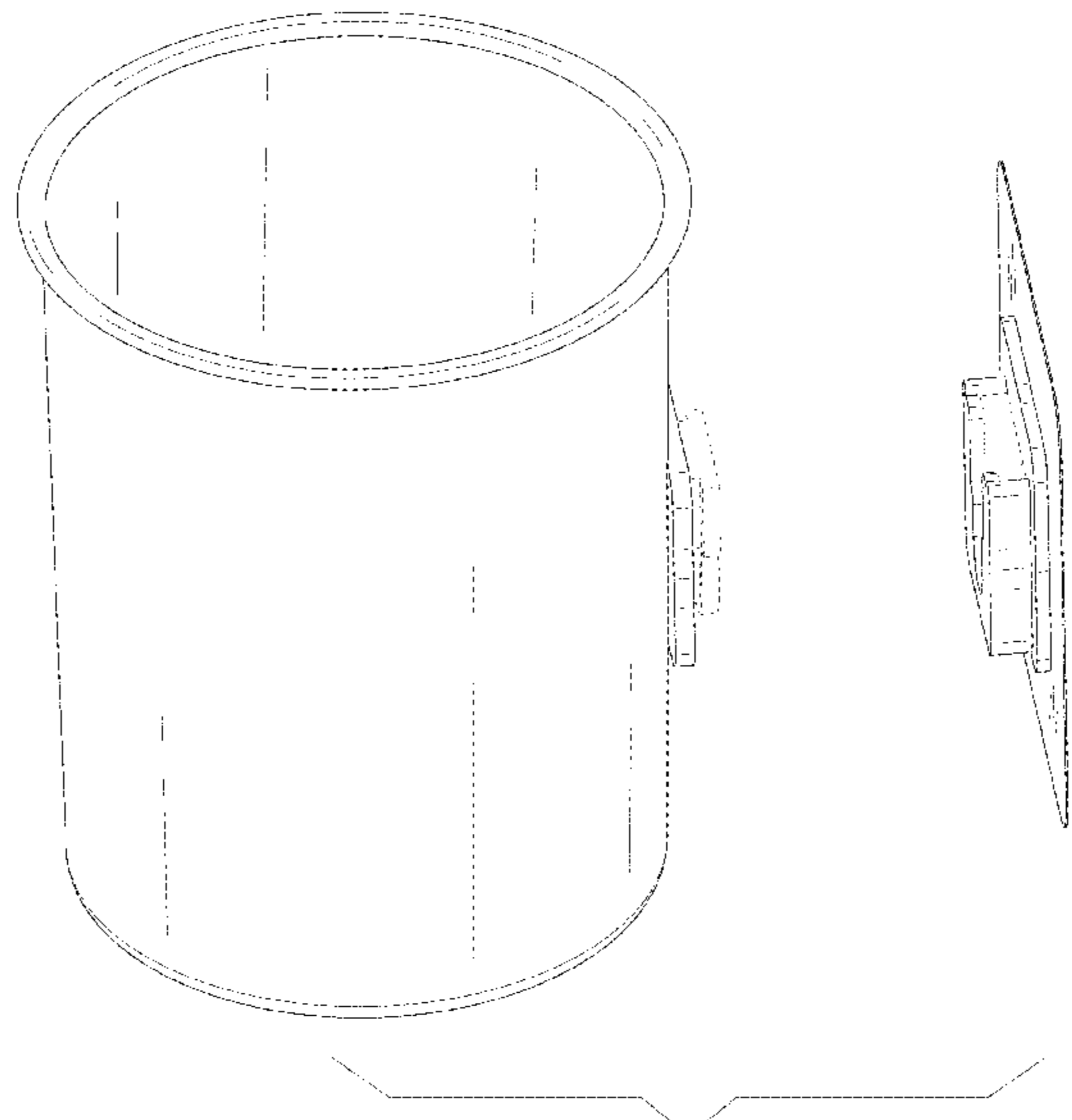
The ornamental design for a hanging storage box, as shown  
and described.

**DESCRIPTION**

FIG. 1 is a perspective view of the hanging storage box  
showing my new design;  
FIG. 2 is a perspective view thereof from another angle;  
FIG. 3 is a front elevational view thereof;  
FIG. 4 is a rear elevational view thereof;  
FIG. 5 is a left side elevational view thereof;  
FIG. 6 is a right side elevational view thereof;  
FIG. 7 is a top plan view thereof;  
FIG. 8 is a bottom plan view thereof; and,  
FIG. 9 is a perspective view in an exploded state.  
The broken lines shown in the drawings represent portions  
of the hanging storage box that form no part of the claimed  
design.

**1 Claim, 9 Drawing Sheets**

- (56) **References Cited**  
U.S. PATENT DOCUMENTS
- D31,028 S \* 6/1899 Walmsley ..... D6/531
- D67,599 S \* 6/1925 Jordan ..... D6/535
- D220,280 S \* 3/1971 Ray ..... D6/526
- 3,790,118 A \* 2/1974 Warren ..... A61M 3/0266  
248/311.2
- D241,200 S \* 8/1976 Halsted ..... D6/534
- 3,994,465 A \* 11/1976 Rudnitzky ..... A47G 23/0225  
D6/535
- D274,584 S \* 7/1984 Crouse ..... D6/535
- D283,283 S \* 4/1986 Sollen ..... D6/535
- D283,384 S \* 4/1986 Jackson ..... D7/400
- 4,721,216 A \* 1/1988 Kinder ..... B60N 3/18  
D7/619.1
- D344,876 S \* 3/1994 Vandergon ..... D6/567
- D346,243 S \* 4/1994 Weber ..... D28/38
- D371,735 S \* 7/1996 Motta ..... D6/535
- D440,442 S \* 4/2001 Koranda ..... D6/553



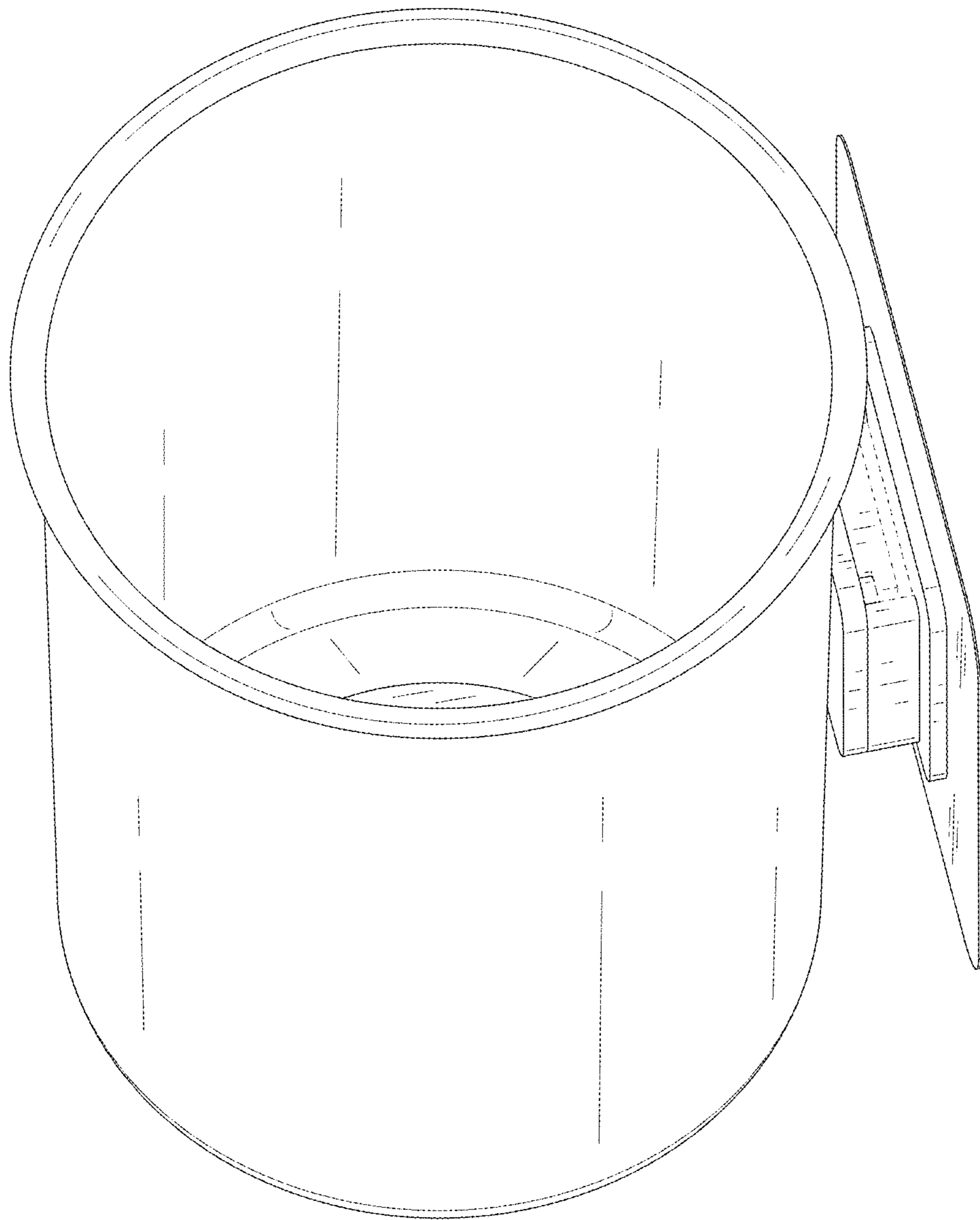


FIG. 1

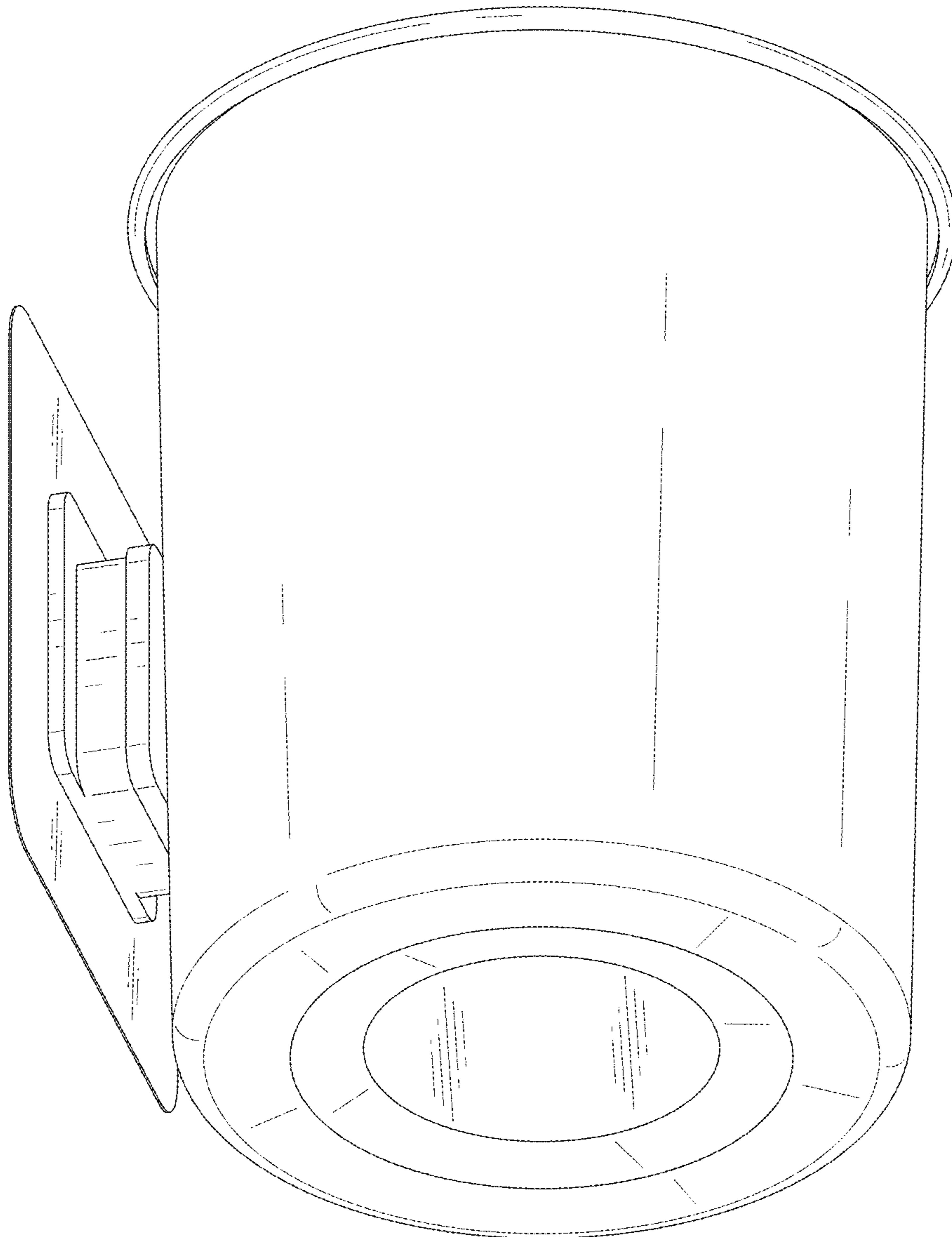


FIG. 2

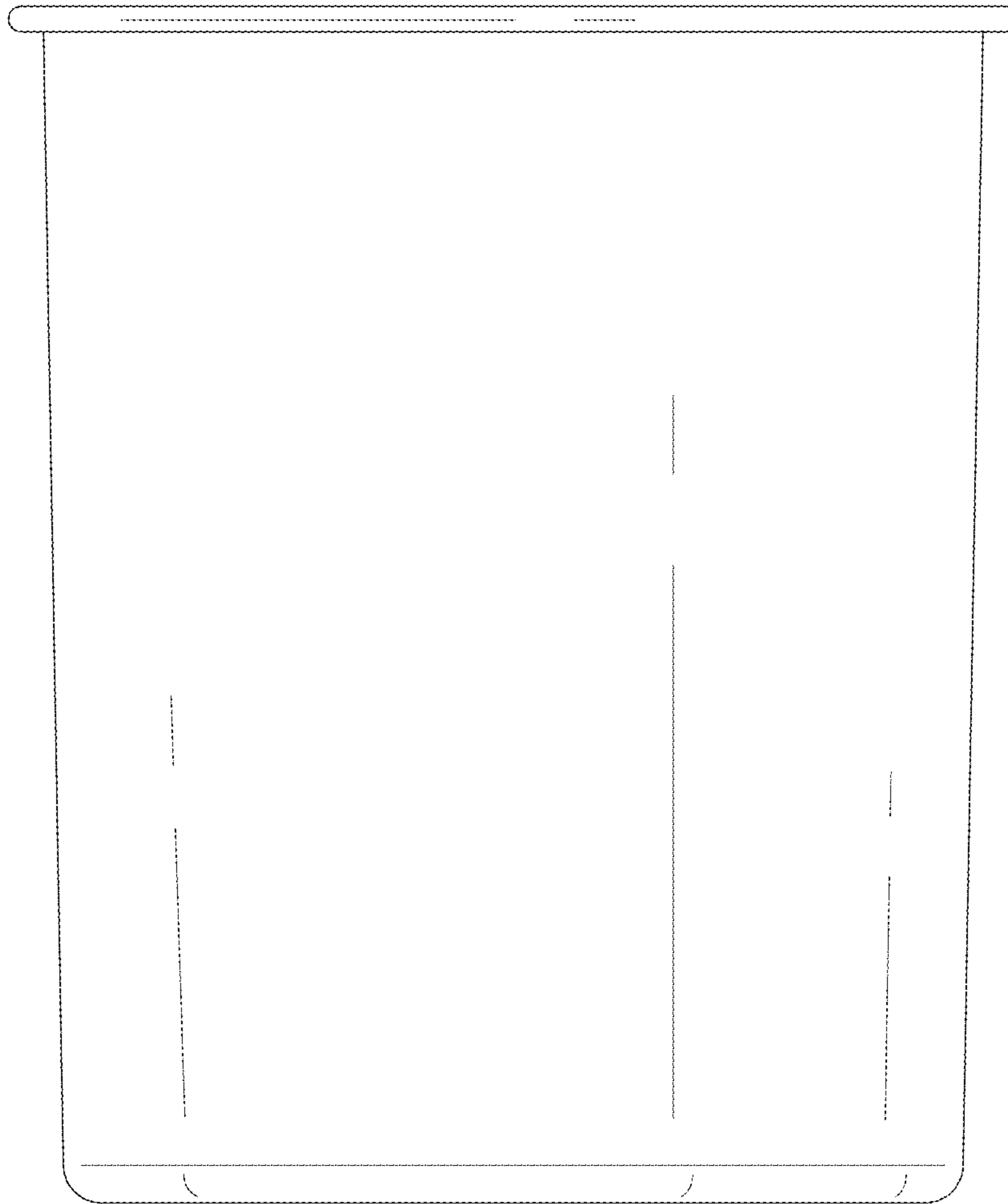


FIG. 3

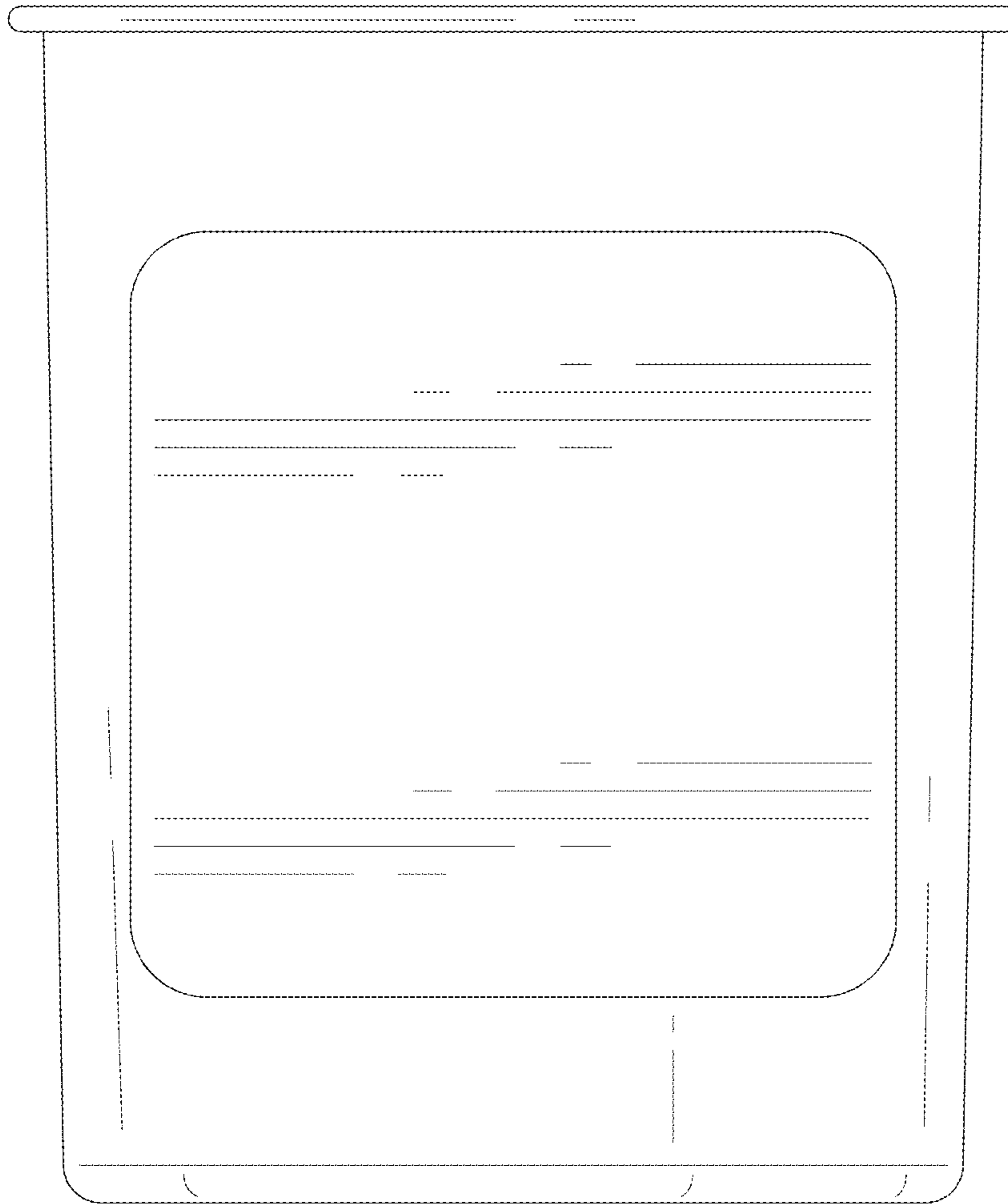


FIG. 4

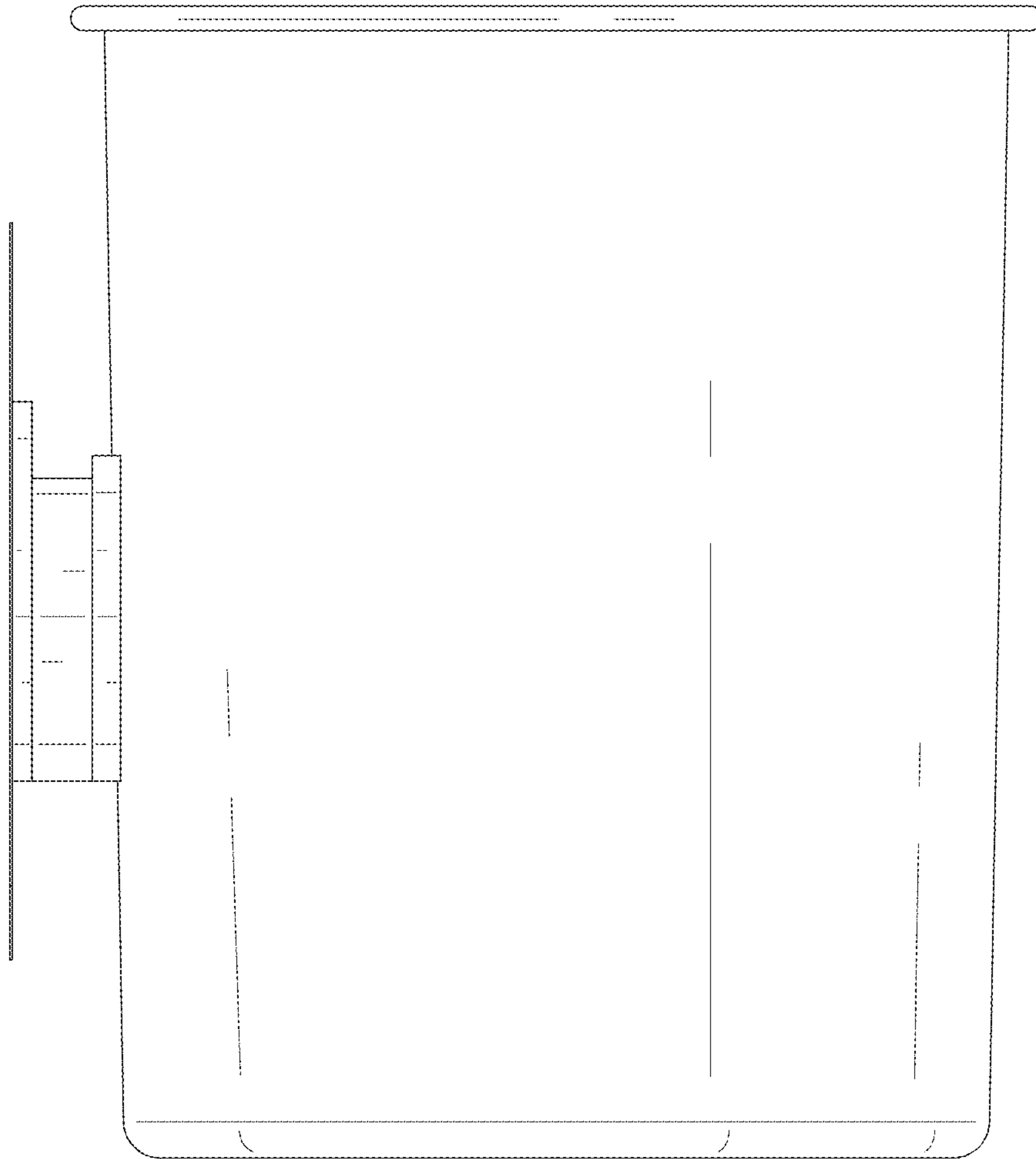


FIG. 5

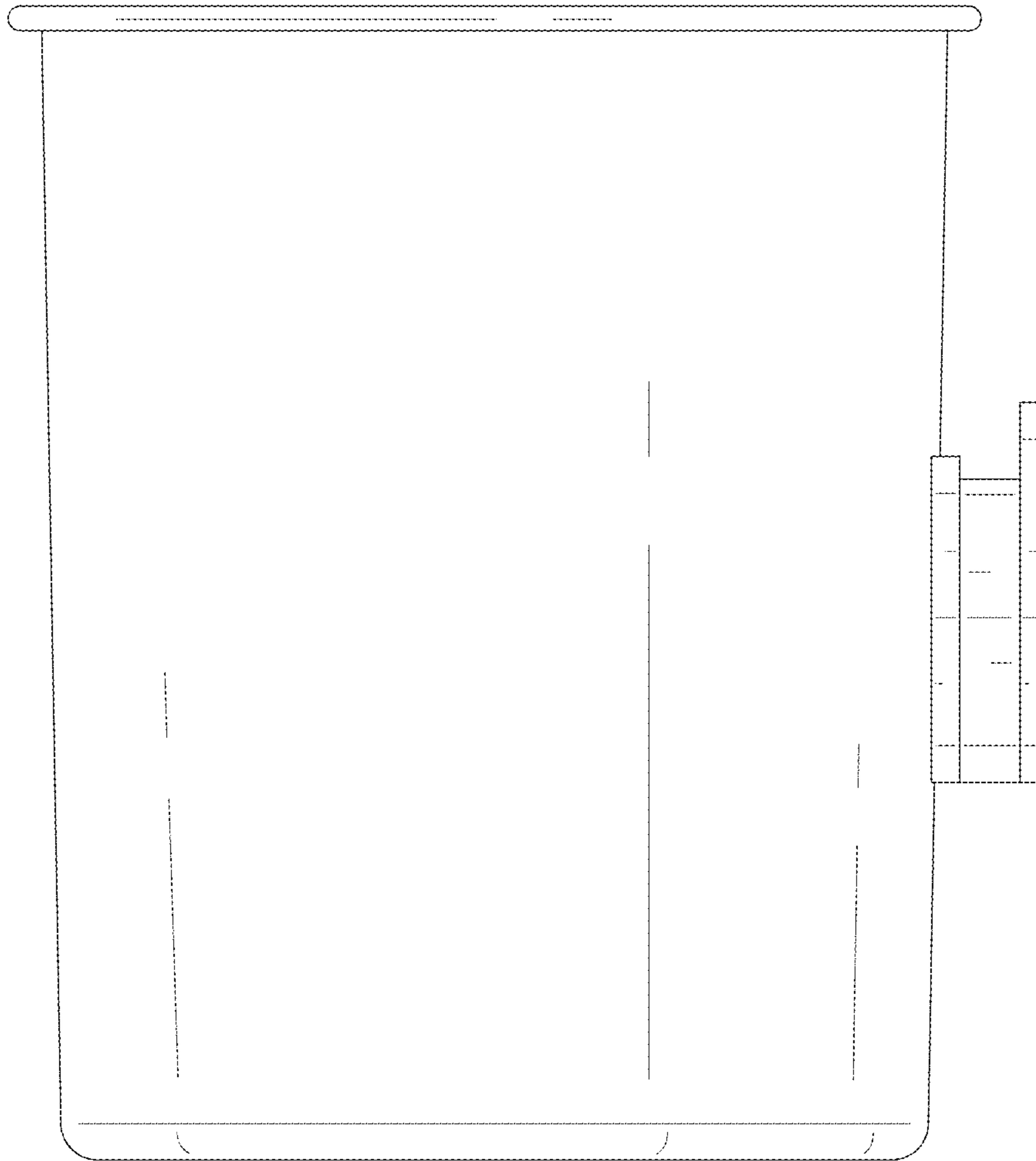


FIG. 6

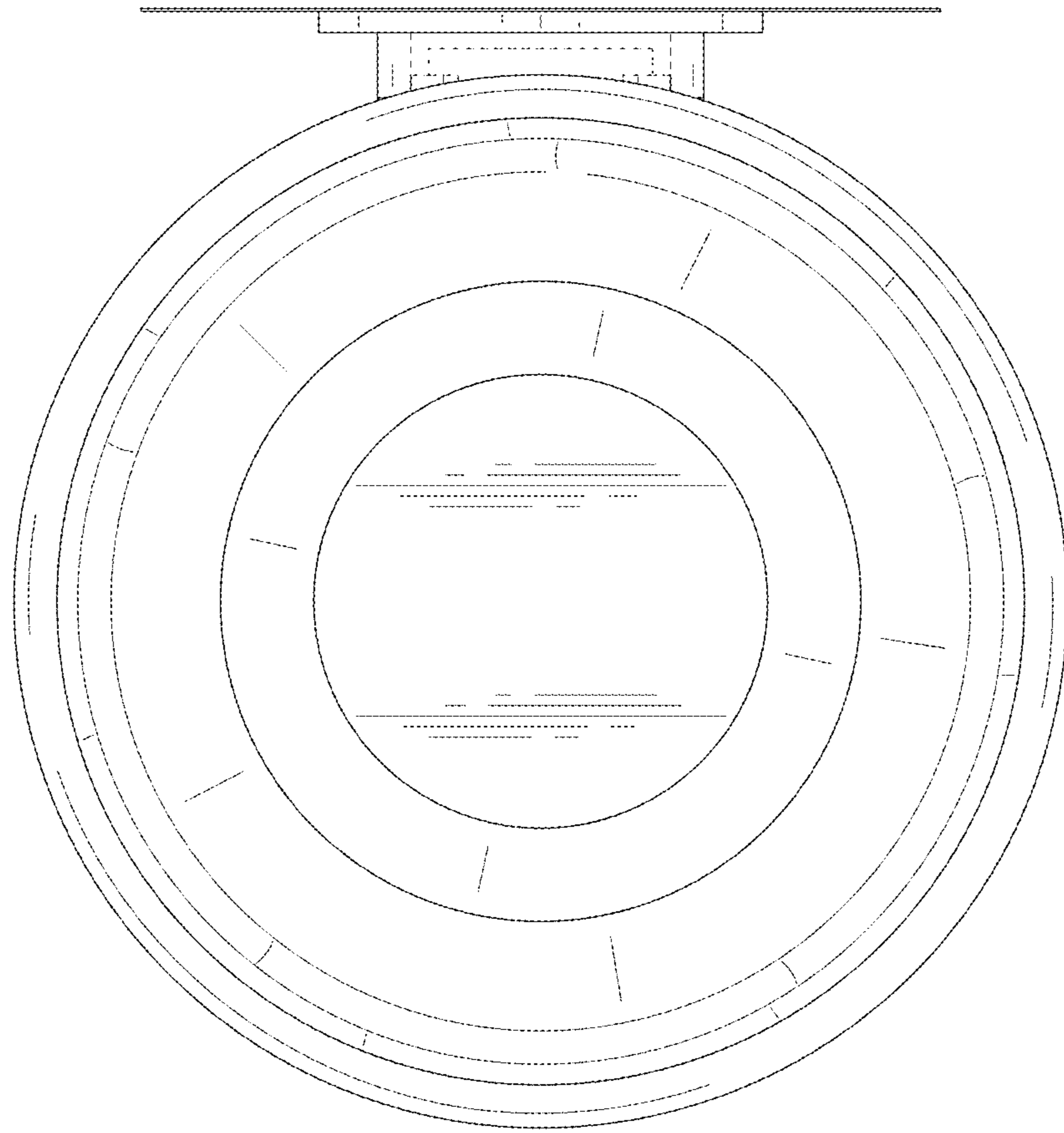


FIG. 7



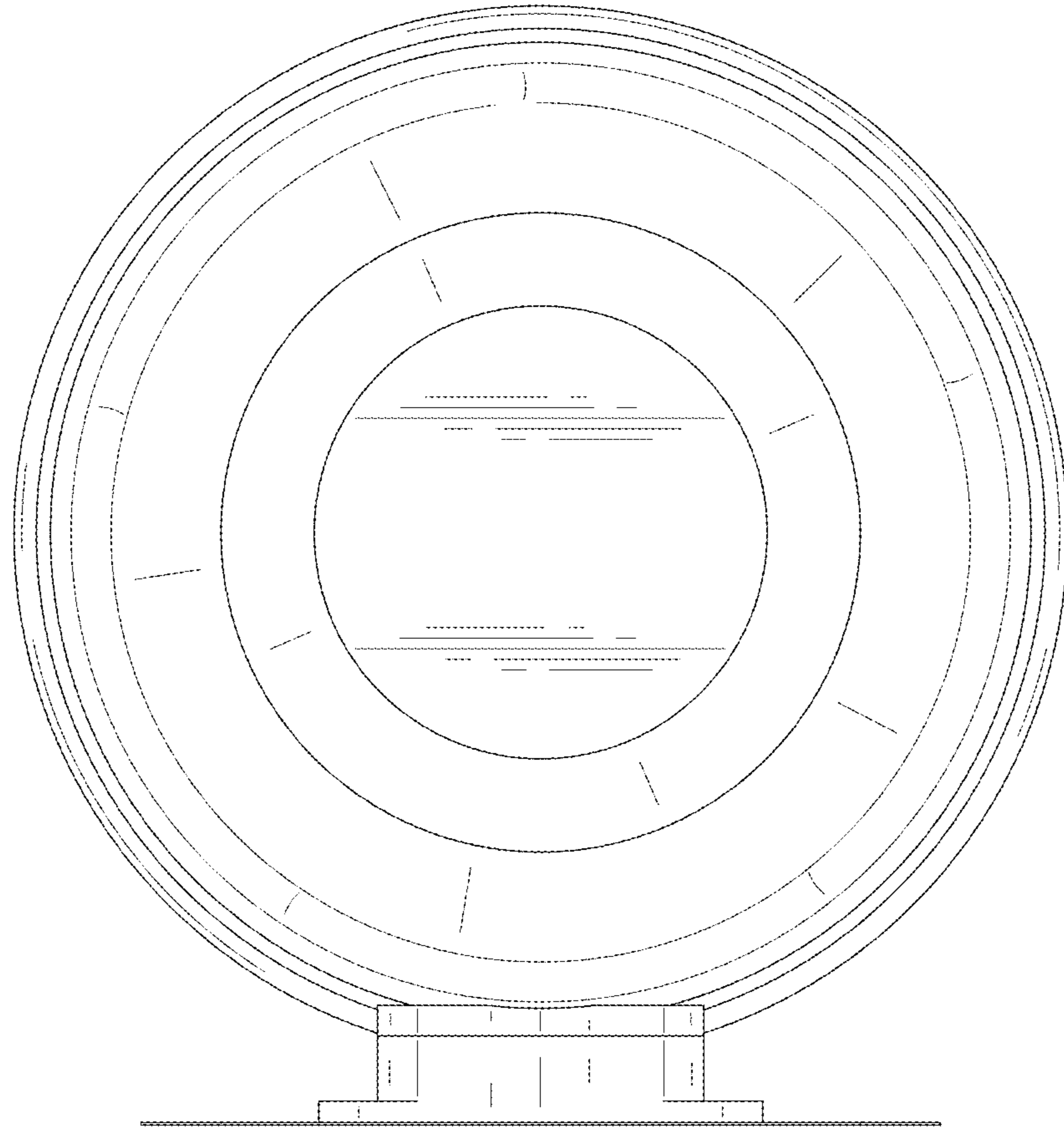


FIG. 8

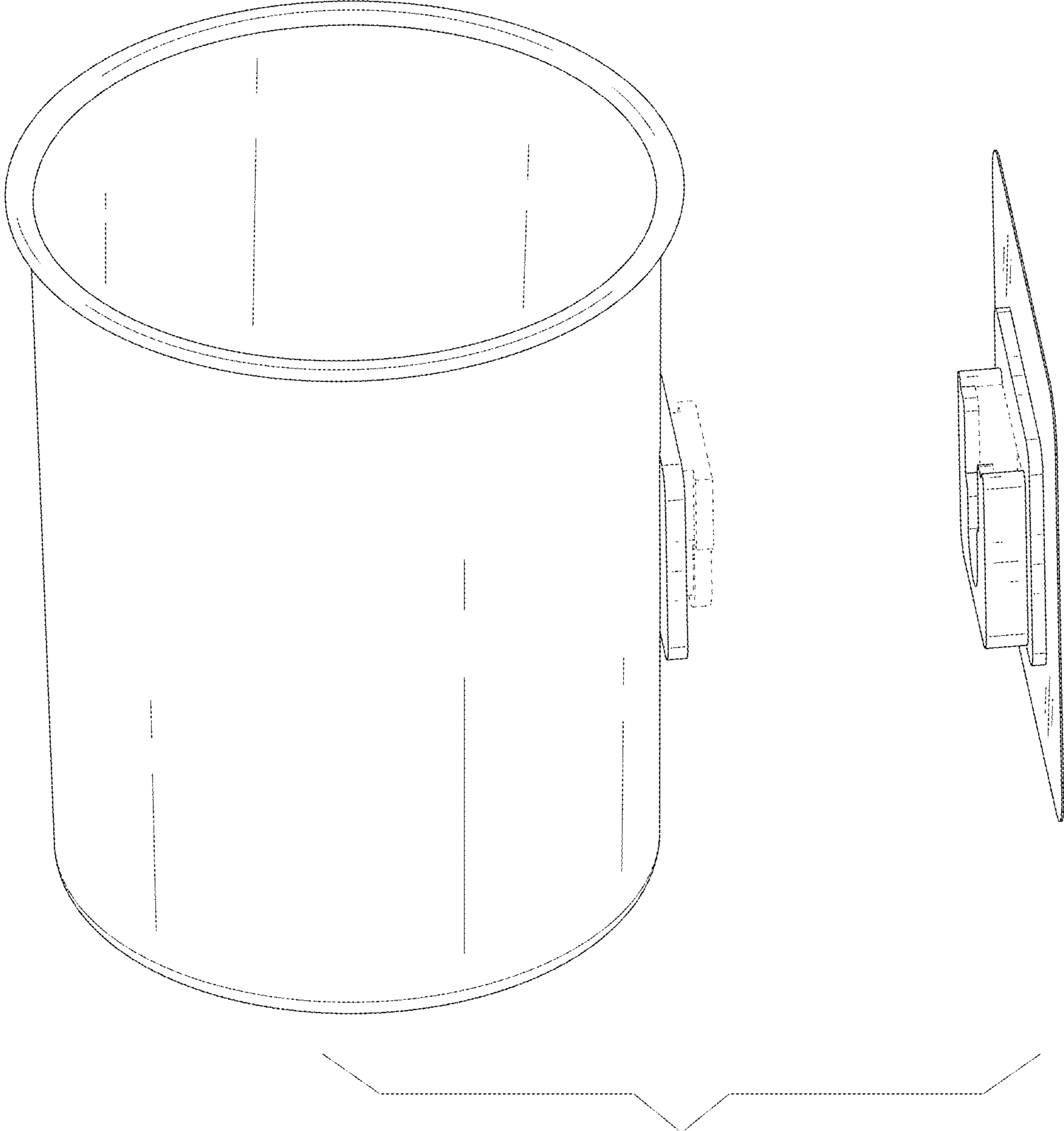


FIG. 9