



US00D986623S

(12) **United States Design Patent**  
**Qian**

(10) **Patent No.:** **US D986,623 S**

(45) **Date of Patent:** **\*\* May 23, 2023**

(54) **GUN RACK**

FOREIGN PATENT DOCUMENTS

(71) Applicant: **Yunqing Qian**, Guangdong (CN)

CN 306533685 \* 5/2021

CN 307544806 \* 9/2022

(72) Inventor: **Yunqing Qian**, Guangdong (CN)

\* cited by examiner

(\*\*) Term: **15 Years**

*Primary Examiner* — Marie D. Fast Horse

(21) Appl. No.: **29/840,292**

*Assistant Examiner* — Jennifer Sierra Yosinski

(22) Filed: **May 27, 2022**

(57) **CLAIM**

(51) **LOC (14) Cl.** ..... **22-01**

The ornamental design for a gun rack, as shown and described.

(52) **U.S. Cl.**

USPC ..... **D22/108**; D6/552

(58) **Field of Classification Search**

**DESCRIPTION**

USPC ..... D6/552; D8/349; D22/108, 109, 110;  
D14/263, 447; D13/108; 42/85, 106, 90,  
42/99, 124; 89/37.01–41.22

CPC ..... F41C 27/22; F41C 33/0236; B60R 7/14;  
A47B 81/005; F41A 23/18; F41A 35/00

See application file for complete search history.

FIG. 1 is a front and top perspective view of a gun rack, showing my new design;  
FIG. 2 is a rear and bottom perspective view thereof;  
FIG. 3 is a front elevation view thereof;  
FIG. 4 is a rear elevation view thereof;  
FIG. 5 is a left side elevation view thereof;  
FIG. 6 is a right side elevation view thereof;  
FIG. 7 is a top plan view thereof;  
FIG. 8 is a bottom plan view thereof; and,  
FIG. 9 is an enlarged view of a portion indicated with numeric 9 in FIG. 1.

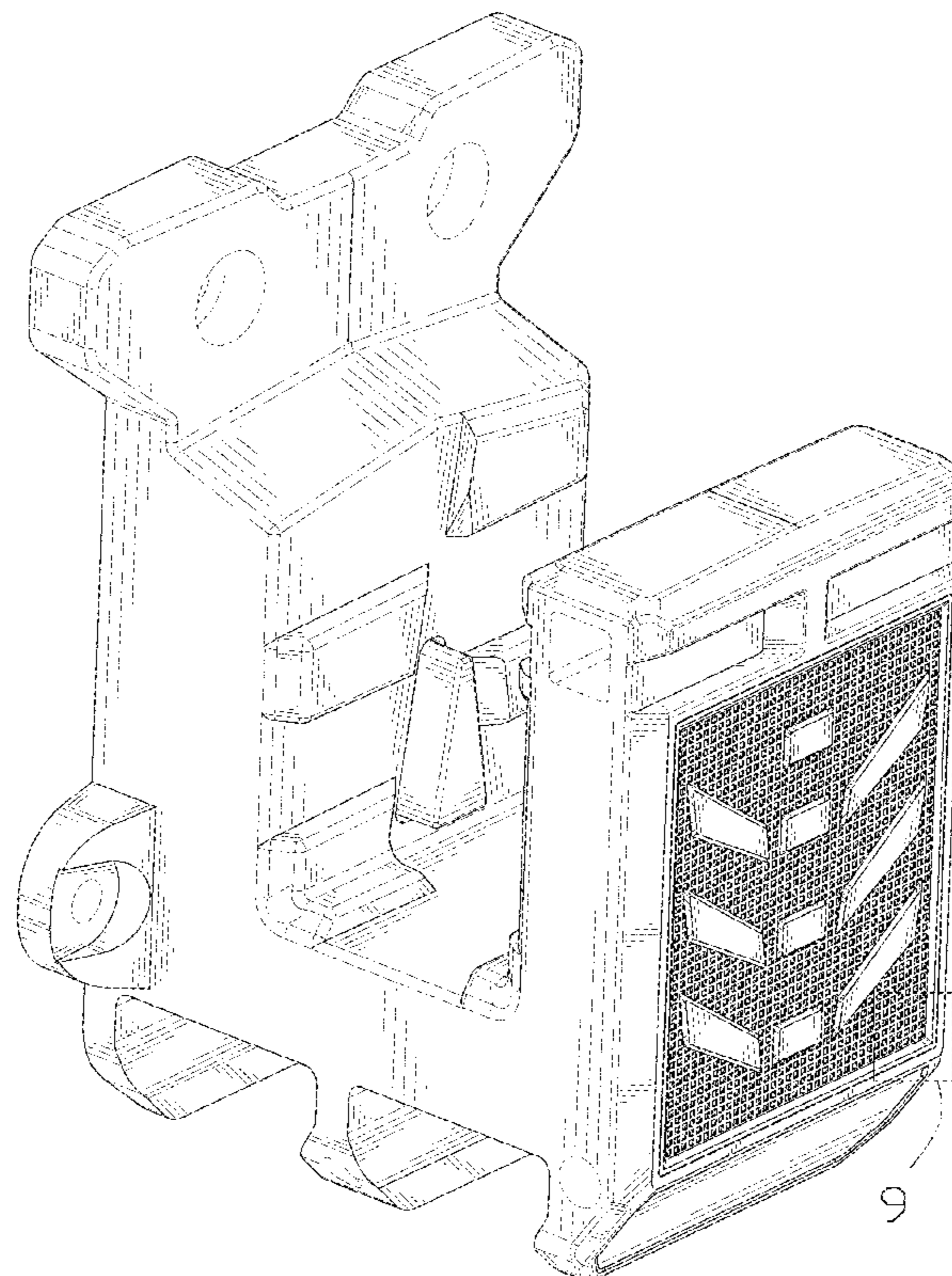
(56) **References Cited**

U.S. PATENT DOCUMENTS

|            |           |                 |         |
|------------|-----------|-----------------|---------|
| D820,616 S | 6/2018    | Nussbaum et al. |         |
| D882,718 S | * 4/2020  | Wu              | D22/110 |
| D903,810 S | * 12/2020 | Wu              | D22/110 |
| D908,832 S | * 1/2021  | Qian            | D22/110 |
| D925,689 S | * 7/2021  | He              | D22/108 |
| D926,283 S | * 7/2021  | Wang            | D22/108 |
| D938,754 S | * 12/2021 | Tang            | D6/552  |
| D945,152 S | * 3/2022  | Wu              | D3/222  |
| D956,167 S | * 6/2022  | Xu              | D22/108 |
| D963,781 S | * 9/2022  | Ye              | D22/110 |

The broken lines in the figures illustrate portions of the gun rack that form no part of the claimed design. The dash dot dash lines in FIGS. 1 and 9 depict reference to the enlargements shown in the figures and form no part of the claimed design.

**1 Claim, 9 Drawing Sheets**



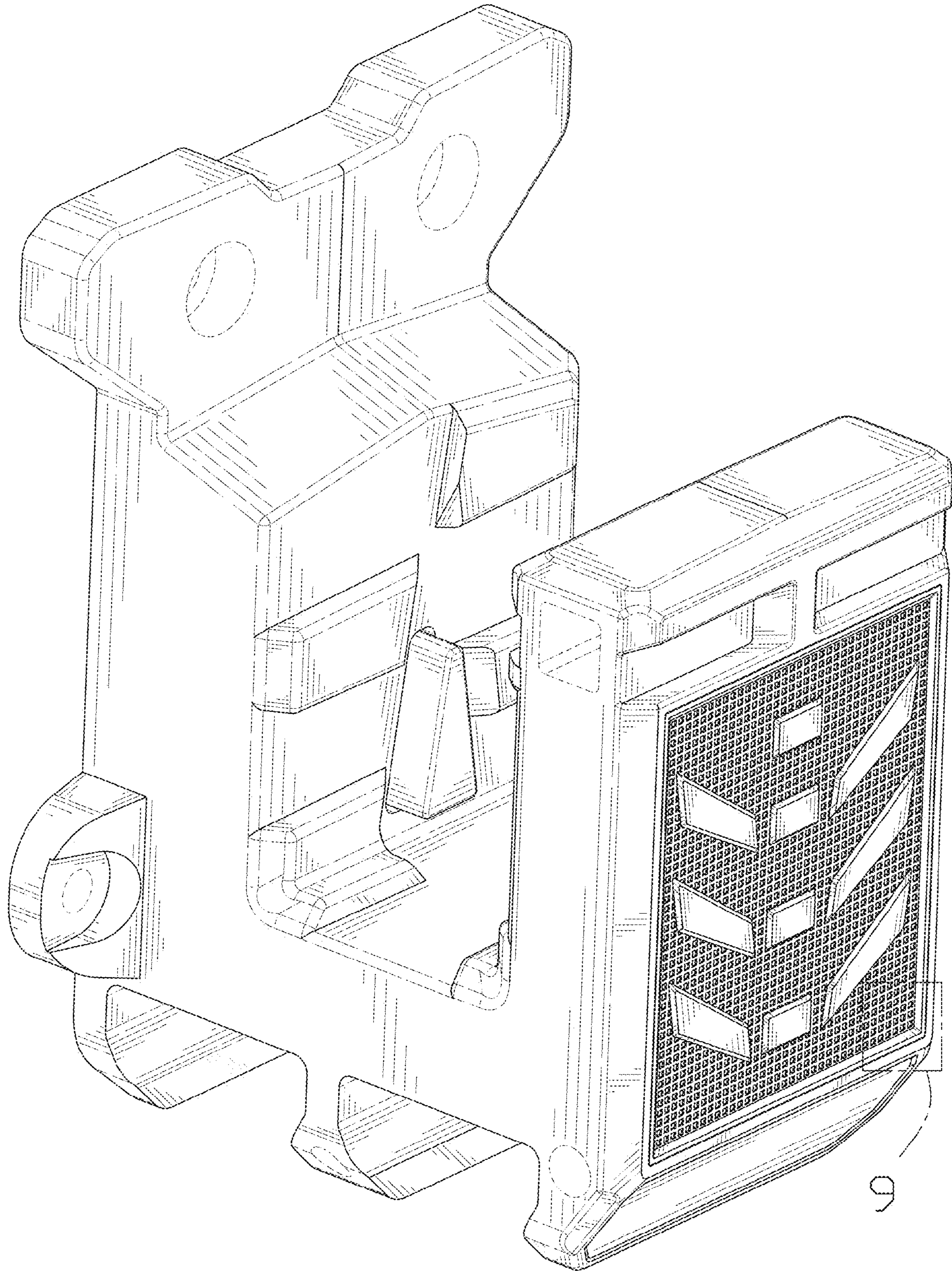


FIG. 1

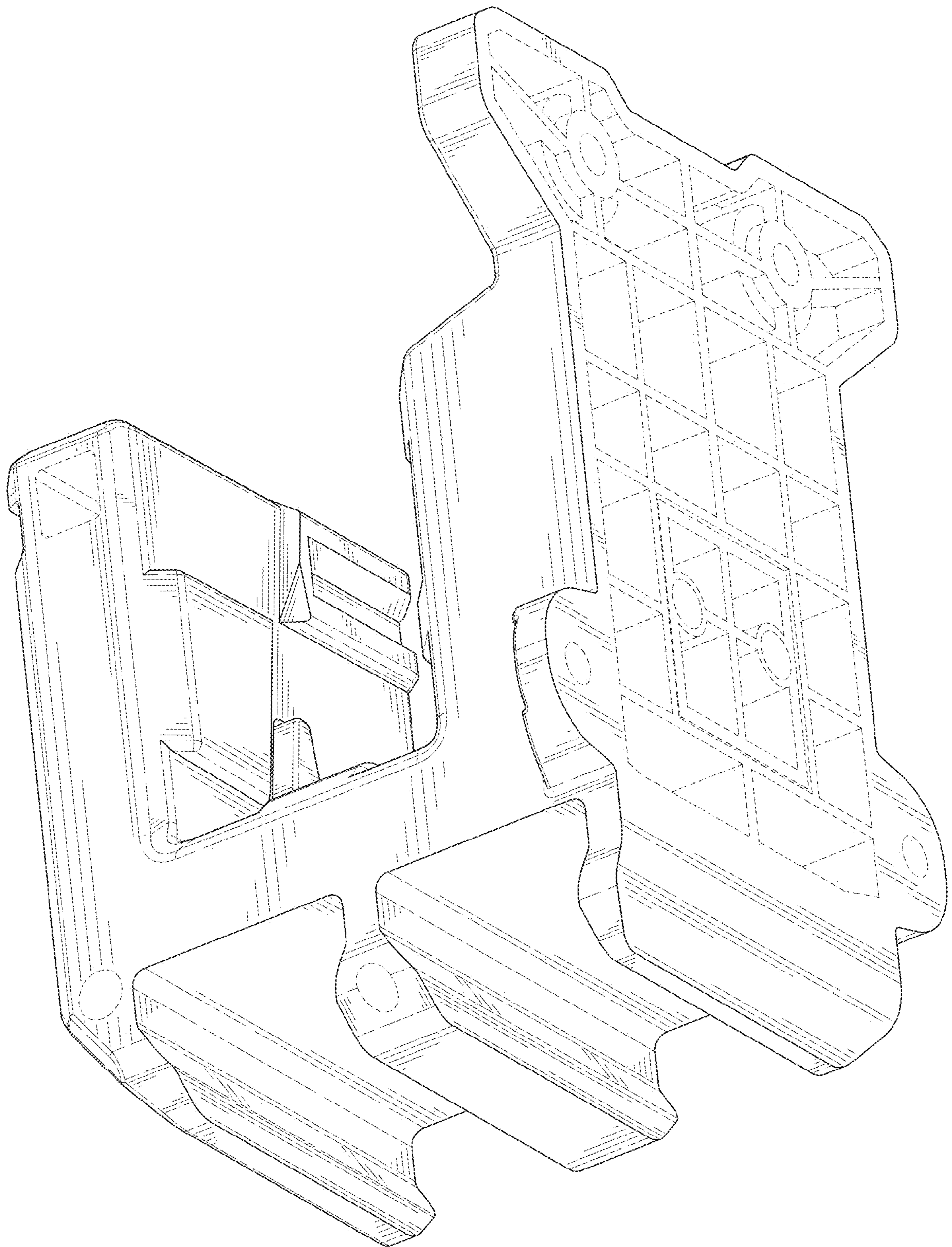


FIG. 2

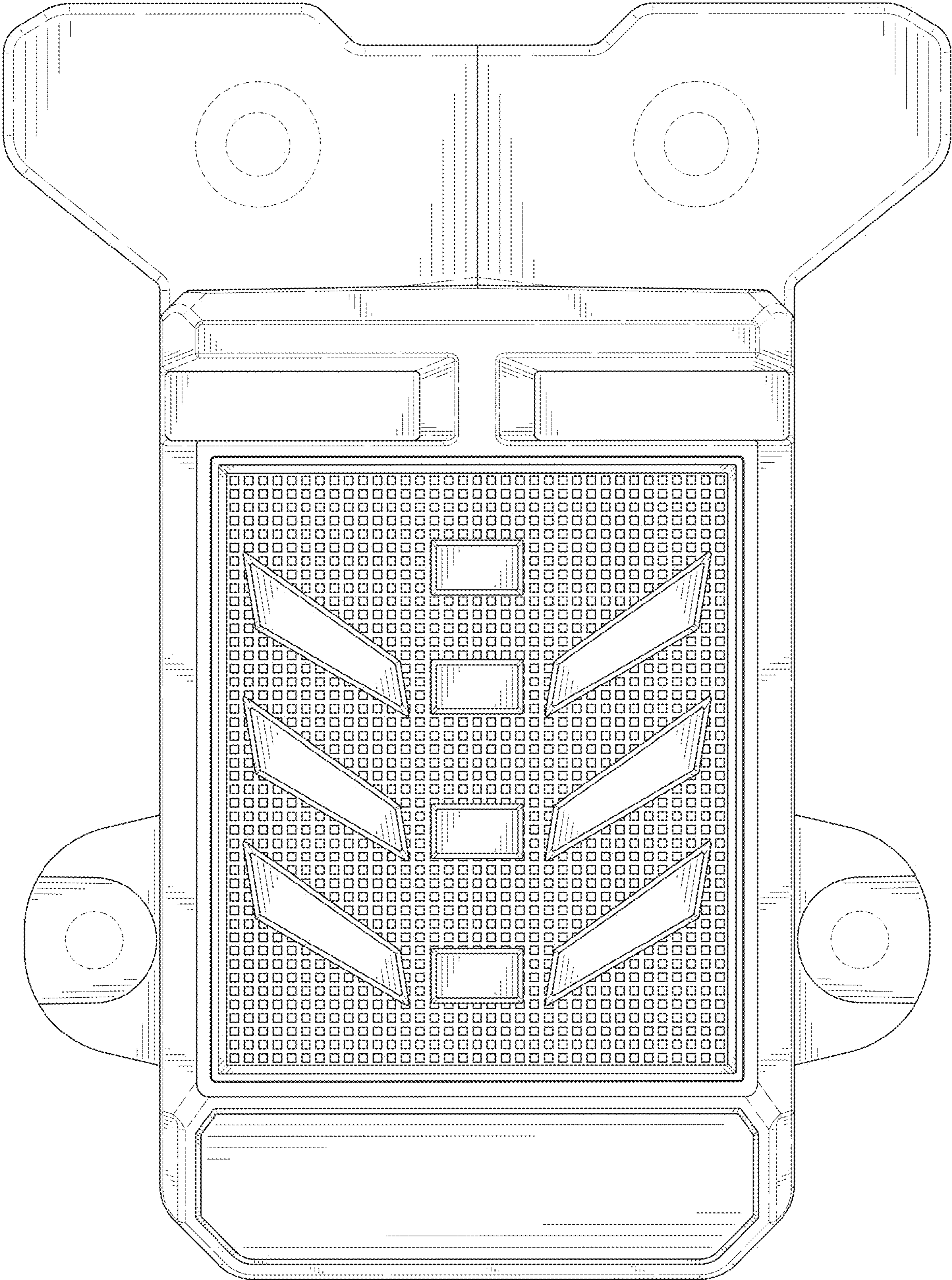


FIG. 3

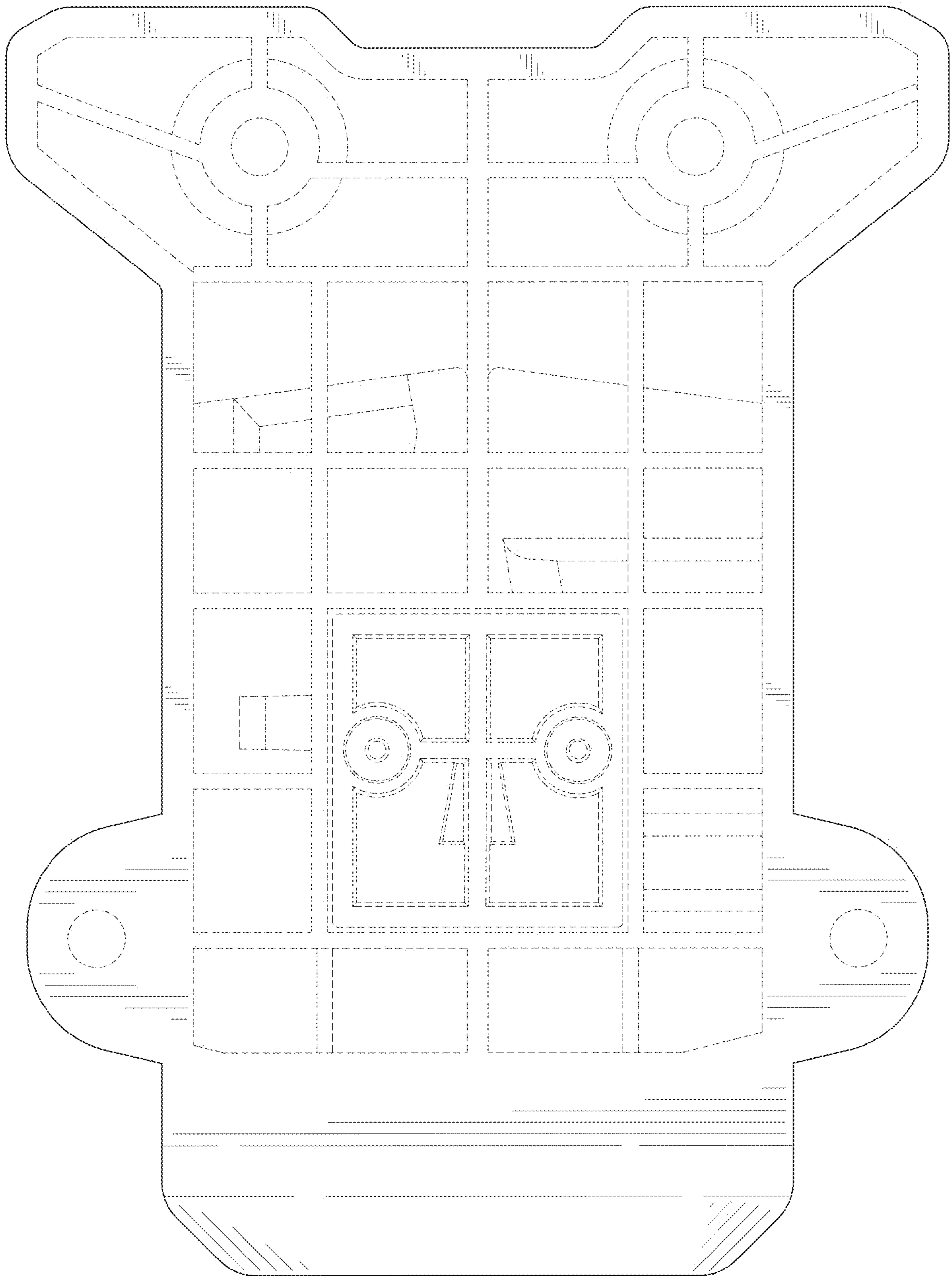


FIG. 4

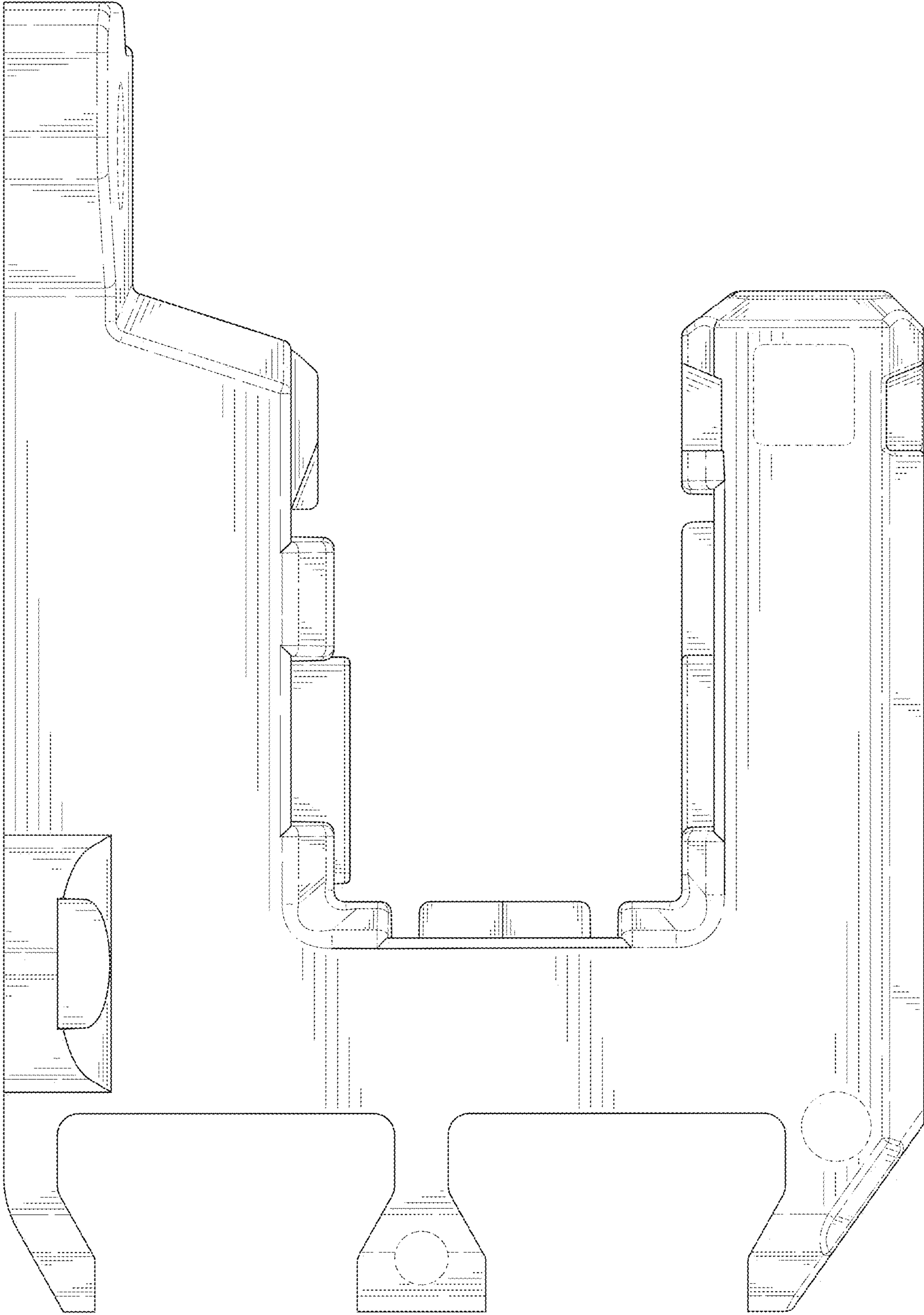


FIG. 5

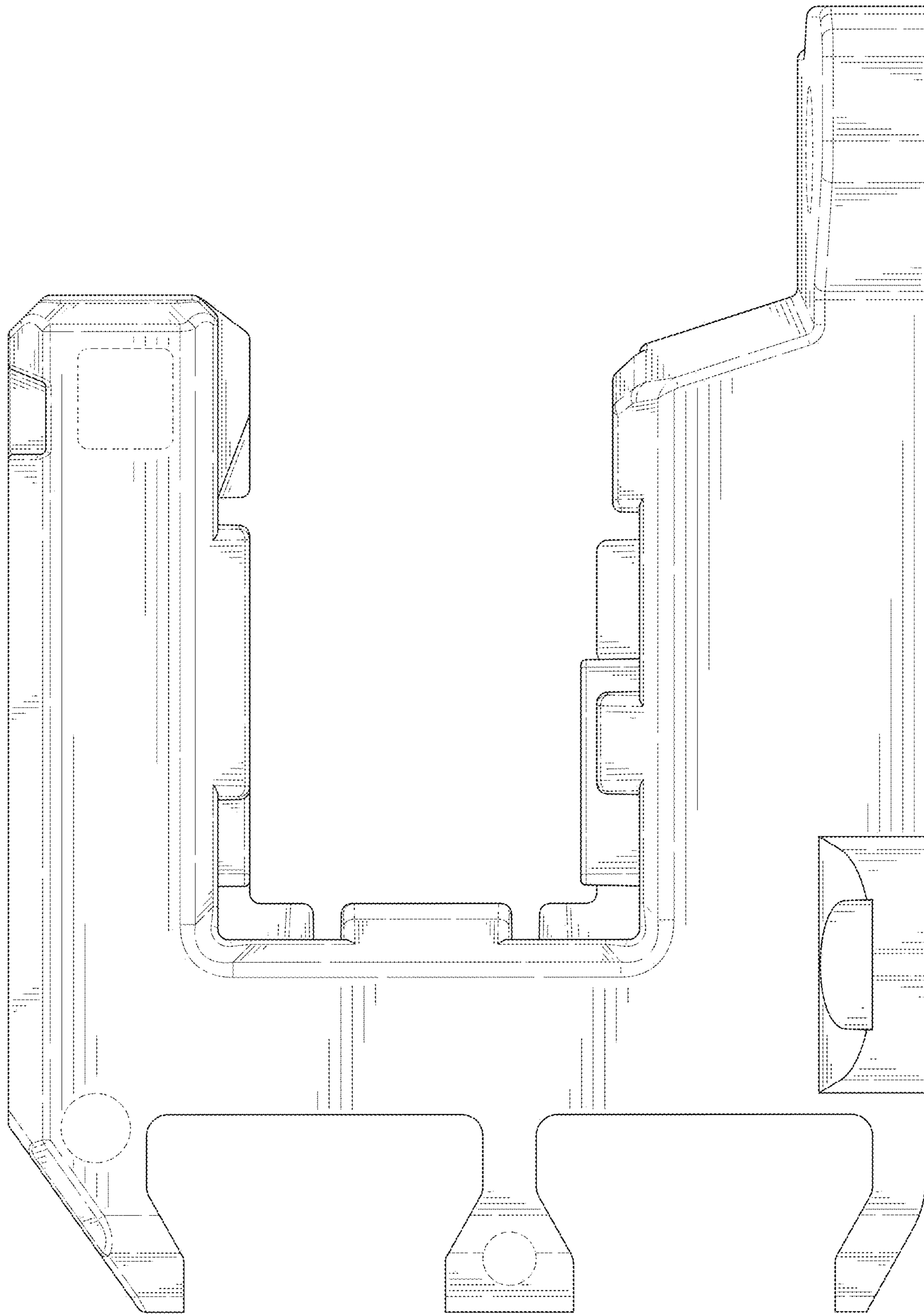


FIG. 6

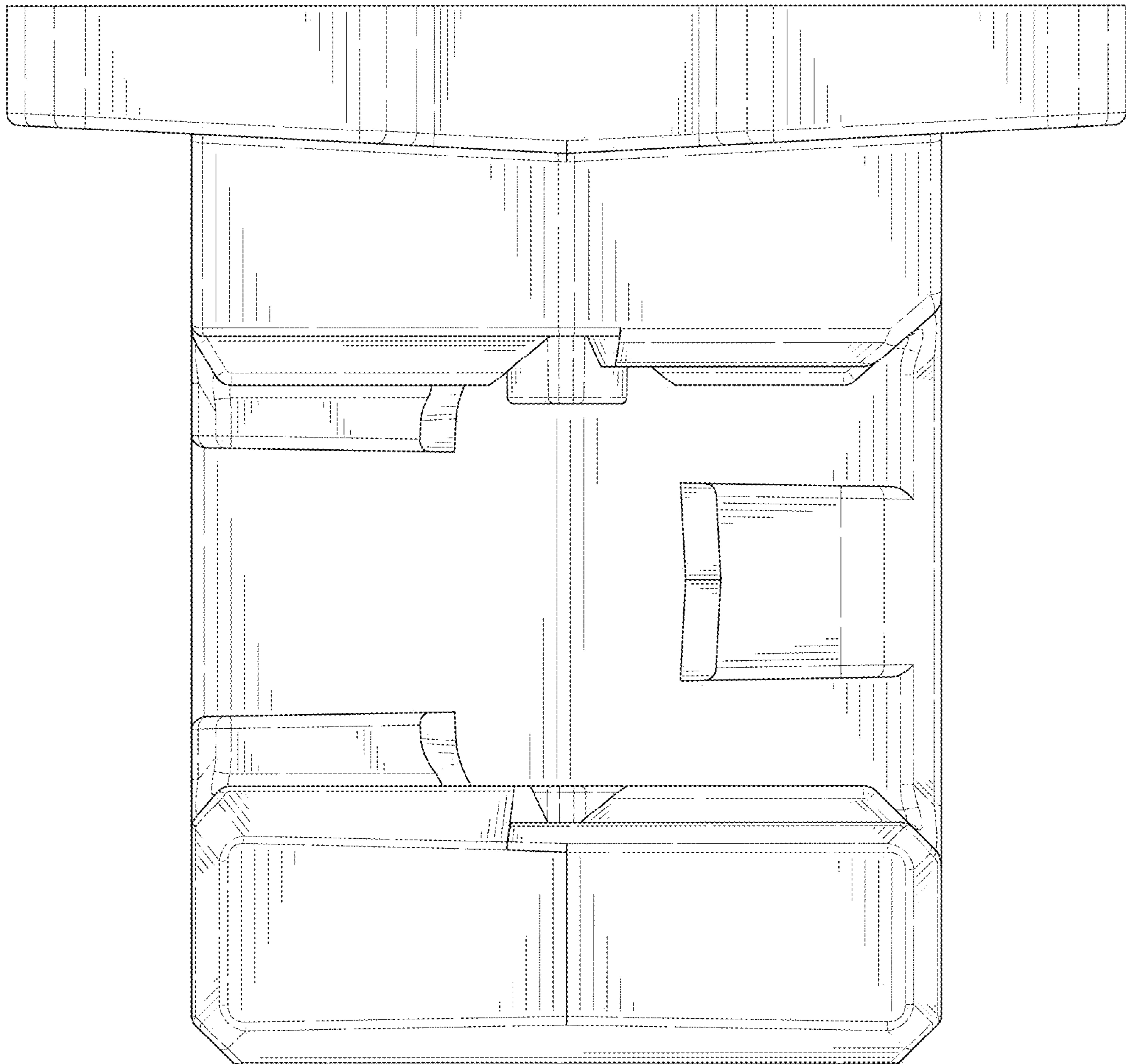


FIG. 7



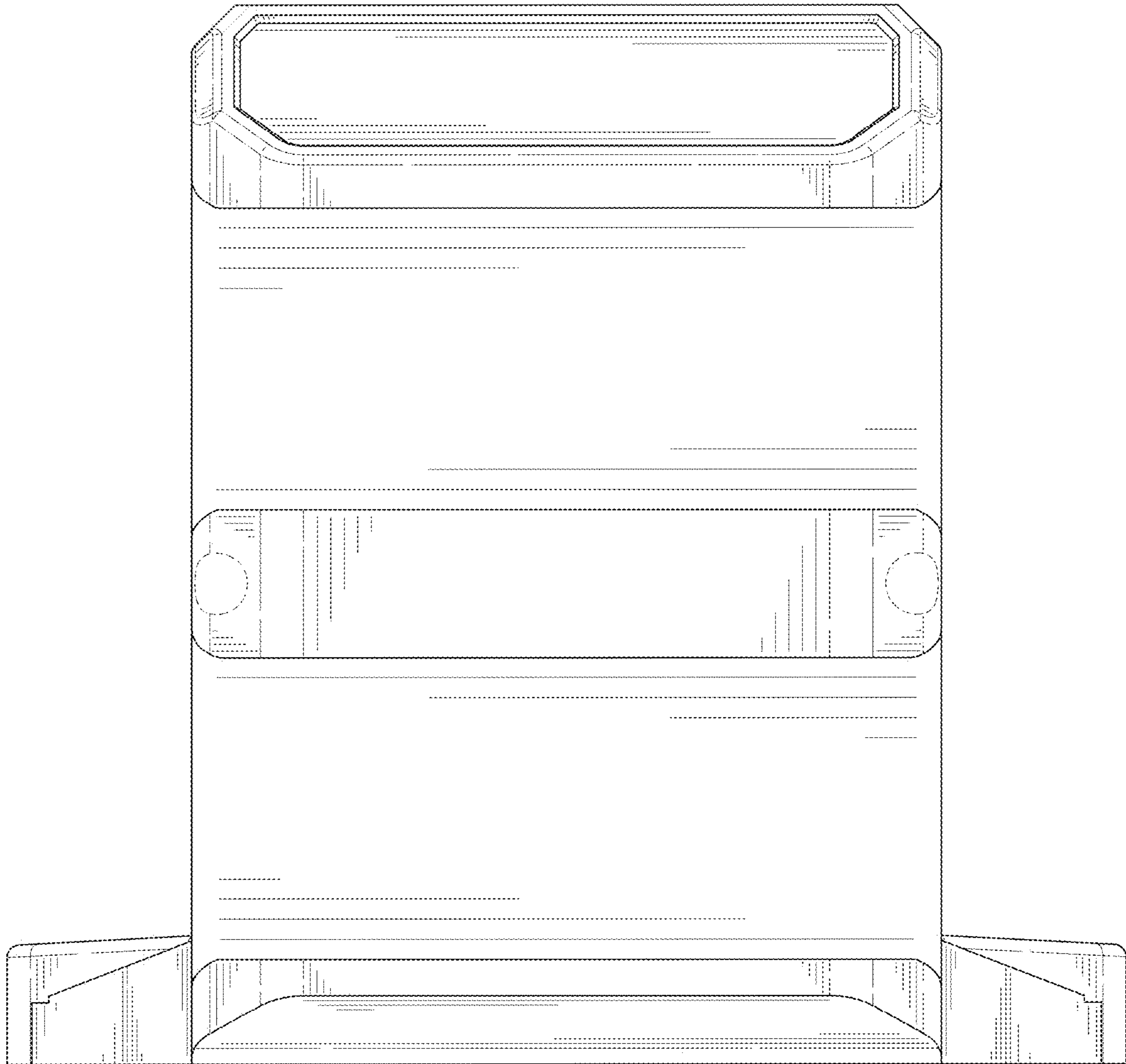


FIG. 8

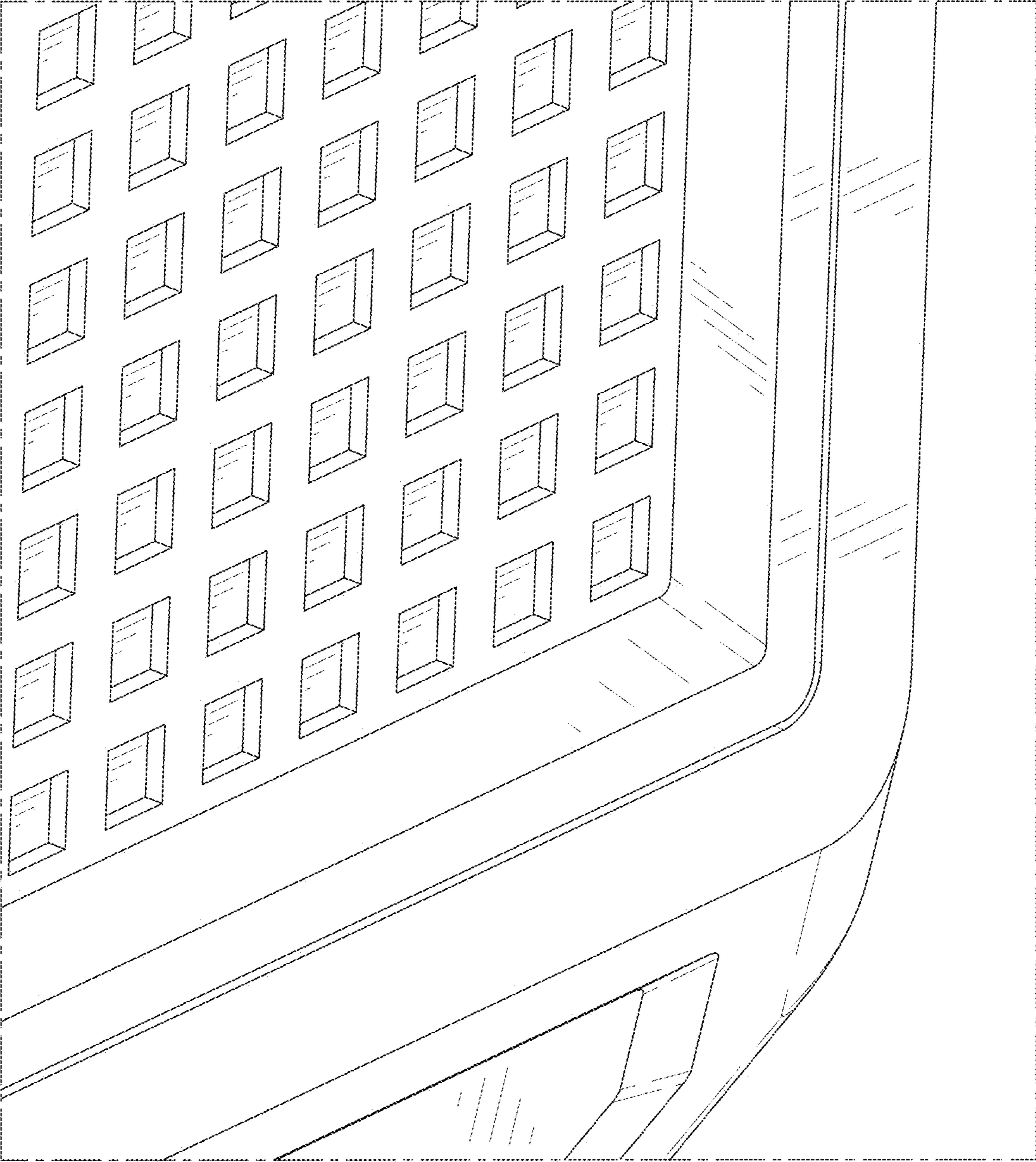


FIG. 9