



US00D986622S

(12) **United States Design Patent**
Ziemann

(10) **Patent No.:** **US D986,622 S**

(45) **Date of Patent:** **** May 23, 2023**

- (54) **SOAP DISPENSER**
- (71) Applicant: **BLANCO GmbH + Co KG**,
Oberderdingen (DE)
- (72) Inventor: **Brigitte Ziemann**, Eppingen (DE)
- (73) Assignee: **BLANCO GmbH + Co KG**,
Oberderdingen (DE)

D727,065 S *	4/2015	DeChristofaro	D6/542
D796,738 S *	9/2017	Kuitto	D9/688
D831,376 S *	10/2018	Ziemann	D6/542
D858,138 S *	9/2019	Weir	D6/542
D868,497 S *	12/2019	Wei	D6/542
2016/0249775 A1 *	9/2016	Cohen	A47K 5/1205 222/382

- (**) Term: **15 Years**
- (21) Appl. No.: **29/719,387**
- (22) Filed: **Jan. 3, 2020**

(30) **Foreign Application Priority Data**

Jul. 5, 2019 (EM) 006613782-0006

- (51) **LOC (14) Cl.** **23-08**
- (52) **U.S. Cl.**
USPC **D6/542**

(58) **Field of Classification Search**

USPC D6/512, 612, 542-545; D9/291, 448,
D9/449, 682, 688, 690, 686; 221/14,
221/146.3, 173, 181.1, 181.3, 251, 282,
221/628; D23/238; 222/382

CPC B67D 1/001; B67D 1/06; B67D 3/0029;
A47K 7/04; A47K 5/00; A47K 5/06;
A47K 5/12; A47K 5/1204; A47K 5/1205;
A47K 5/1211; A47K 7/00; A47K 7/03;
A47K 7/043; A47G 19/24; B65D 23/003;
B65D 83/40; B65D 50/045; B65D 83/44;
B65D 3/0029; B65D 3/02; B05B
11/3001; F16N 3/10

See application file for complete search history.

(56) **References Cited**

U.S. PATENT DOCUMENTS

D189,521 S *	1/1961	Phillips	D6/545
D638,306 S *	5/2011	Havrileck	D9/688

OTHER PUBLICATIONS

Elkay Desk Mounted Soap Dispenser, from the Mystic Collection—
Build with ferguson <https://www.build.com/product/summary/587272?uid=1654133> retrieved from the internet on Dec. 21, 2022.*
Brizo Product Solna, dated before Oct. 23, 2017, 1 page.

(Continued)

Primary Examiner — Mary Ann Calabrese
(74) *Attorney, Agent, or Firm* — Hanley, Flight and
Zimmerman, LLC

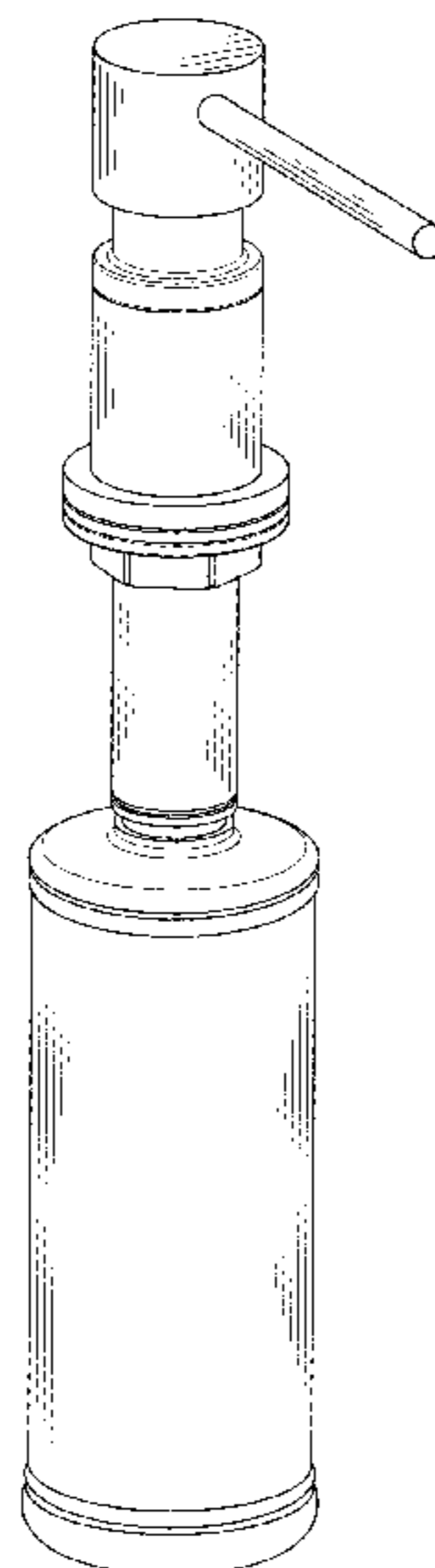
(57) **CLAIM**

The ornamental design for a “soap dispenser”, as shown and described.

DESCRIPTION

FIG. 1 is a perspective view of a soap dispenser.
FIG. 2 is an enlarged top plan view of the soap dispenser of FIG. 1.
FIG. 3 is an enlarged bottom view of the soap dispenser of FIG. 1.
FIG. 4 is a front view of the soap dispenser of FIG. 1.
FIG. 5 is a rear view of the soap dispenser of FIG. 1.
FIG. 6 is a left side view of the soap dispenser of FIG. 1; and,
FIG. 7 is a right side view of the soap dispenser of FIG. 1.
In the drawings, the broken lines show portions of the soap dispenser that form no part of the claimed design.

1 Claim, 7 Drawing Sheets



(56)

References Cited

OTHER PUBLICATIONS

Delta Product RP1001BL, dated before Oct. 23, 2017, 1 page.
Franke Product Novita, dated before Oct. 23, 2017, 1 page.
Grohe Product Cosmopolitan, dated before Oct. 23, 2017, 1 page.
Kohler Product K-1895, dated before Oct. 23, 2017, 1 page.
Schock Product Puck, dated before Oct. 23, 2017, 1 page.

* cited by examiner

FIG. 1

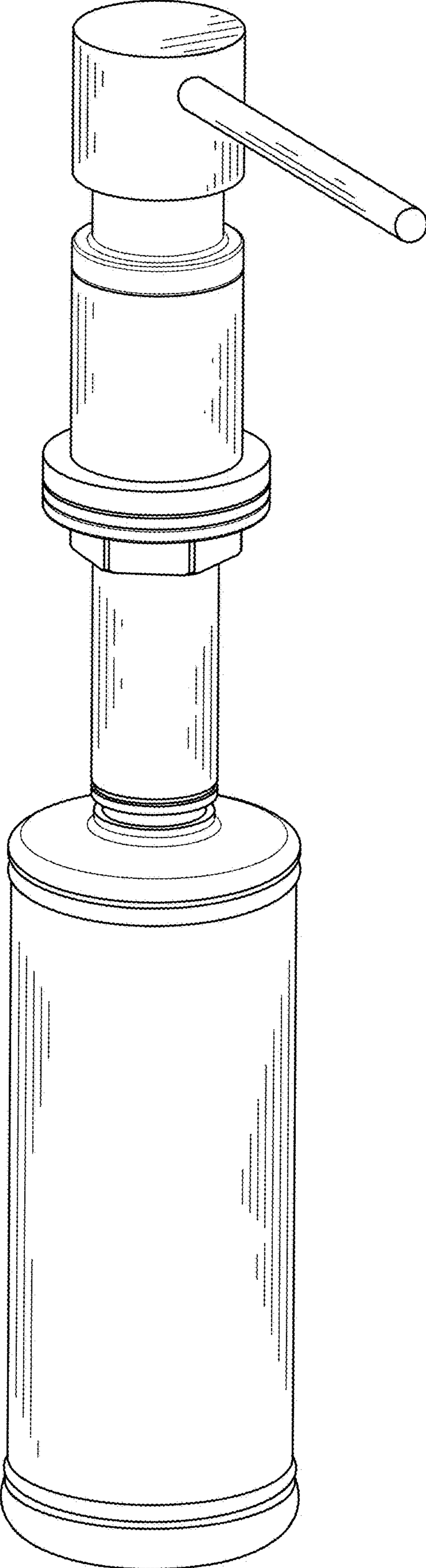


FIG. 2

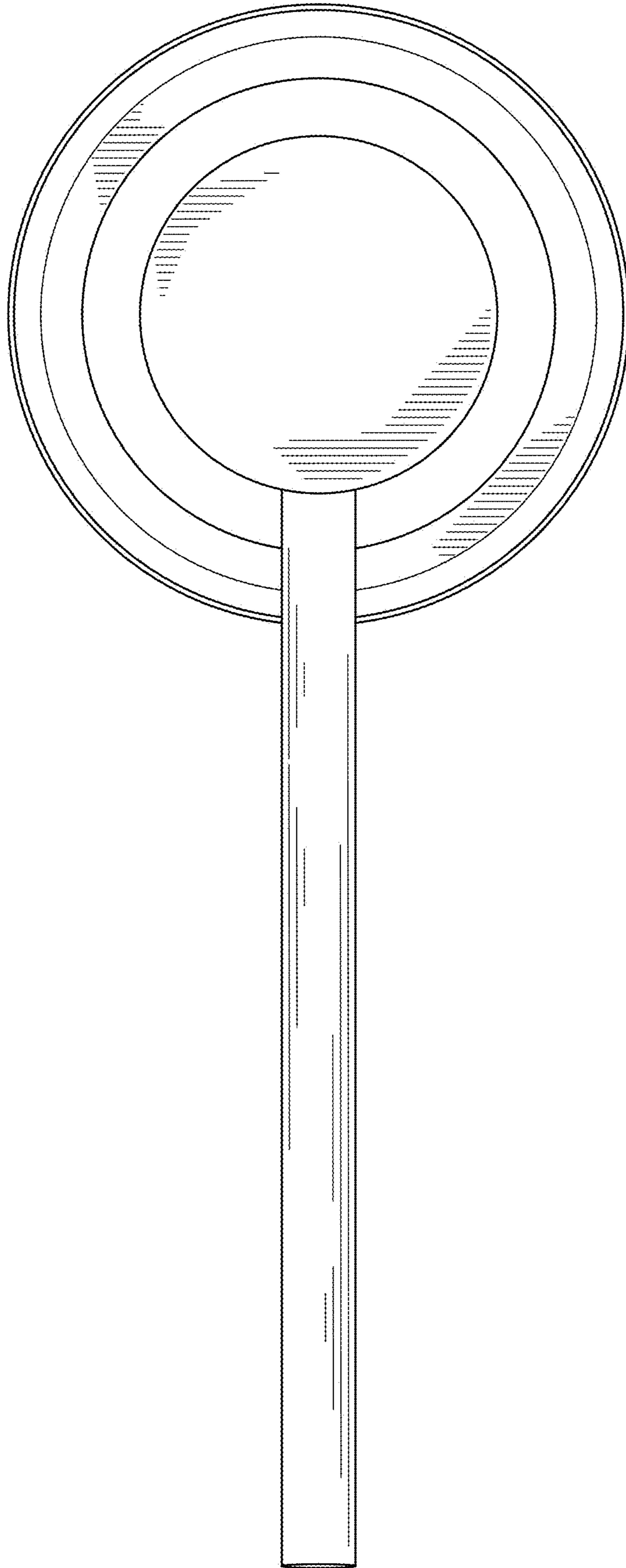


FIG. 3

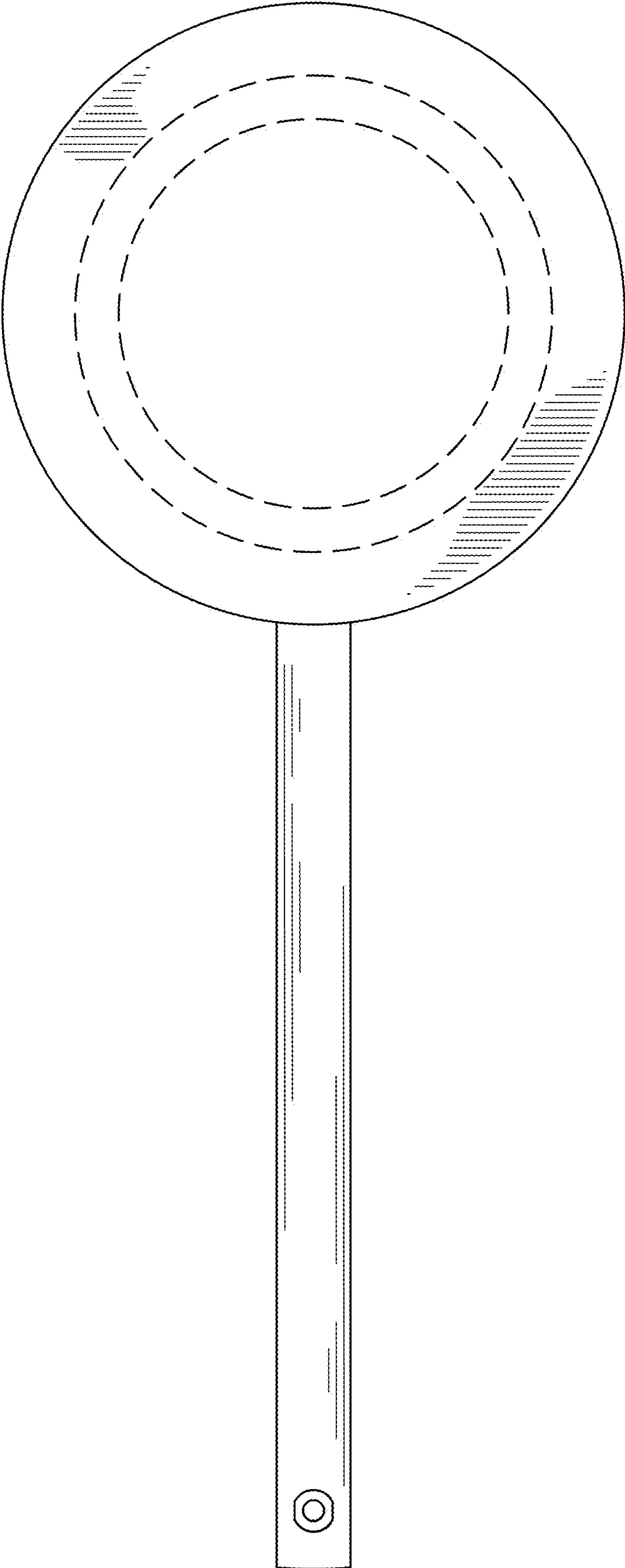


FIG. 4

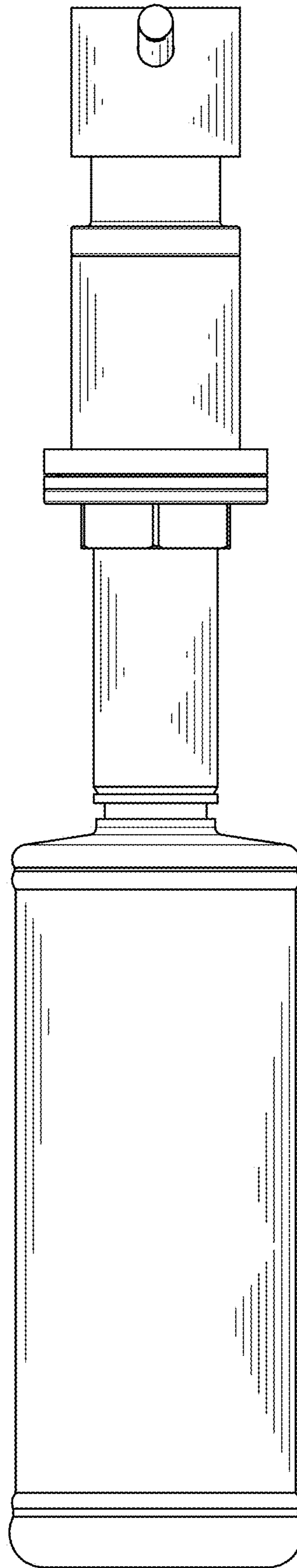


FIG. 5

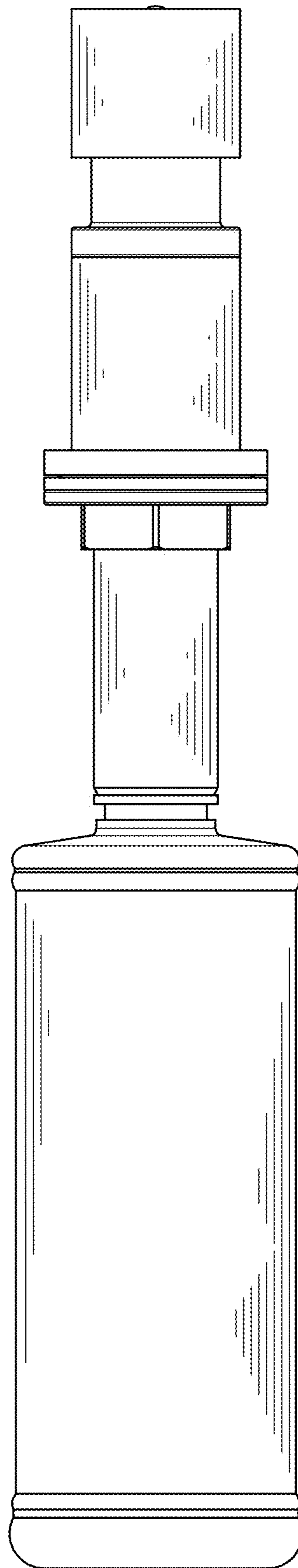


FIG. 6

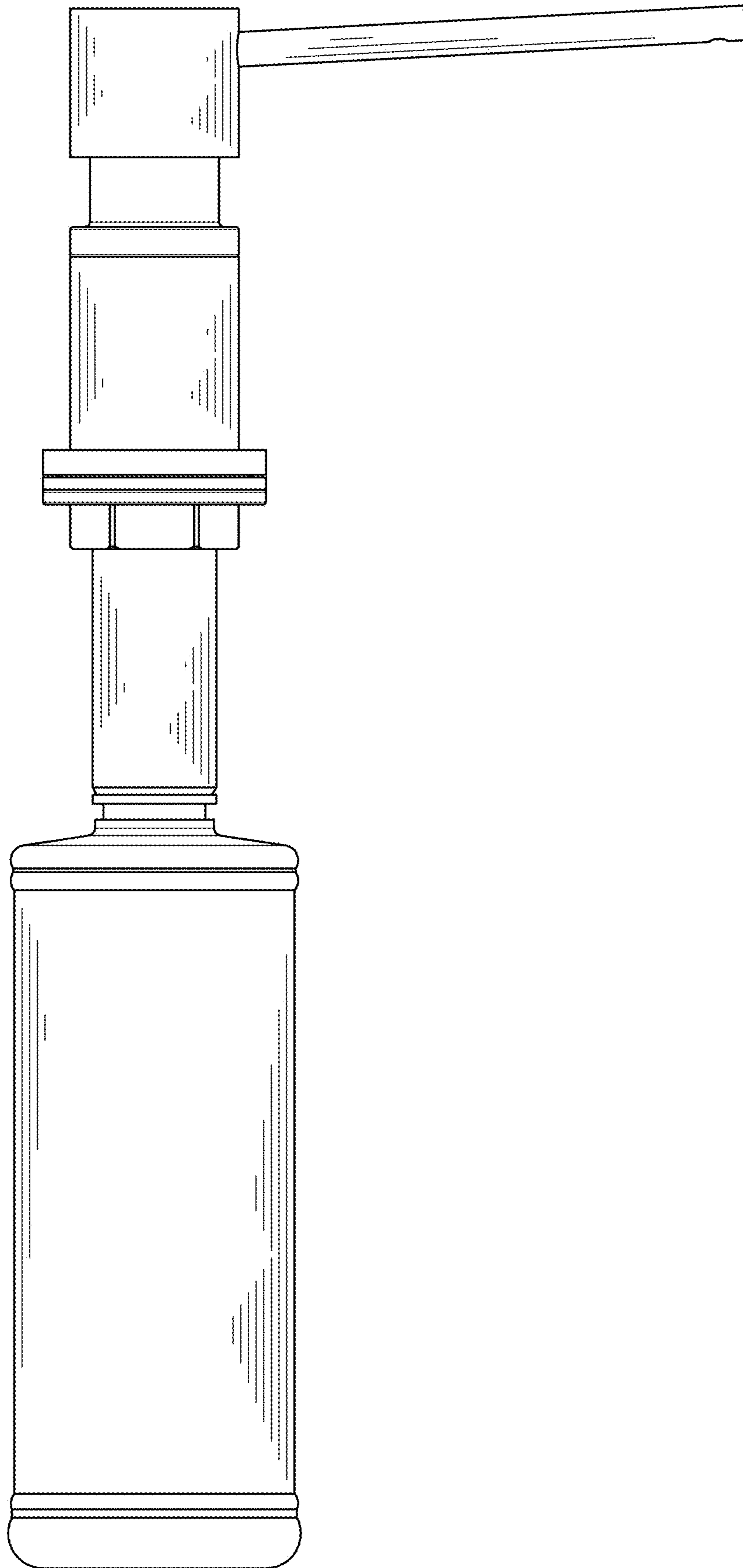


FIG. 7

