



US00D986620S

(12) **United States Design Patent** (10) **Patent No.:** **US D986,620 S**  
**Ye** (45) **Date of Patent:** **\*\* May 23, 2023**

(54) **HANGING EARRING ORGANIZER**

(71) Applicant: **Cuiping Ye**, Guangdong (CN)

(72) Inventor: **Cuiping Ye**, Guangdong (CN)

(\*\*) Term: **15 Years**

(21) Appl. No.: **29/858,481**

(22) Filed: **Nov. 1, 2022**

(51) **LOC (14) Cl.** ..... **06-06**

(52) **U.S. Cl.**  
USPC ..... **D6/513**

(58) **Field of Classification Search**  
USPC ..... D6/315, 512, 513, 514; D3/201, 205,  
D3/283, 299  
CPC ..... A45C 11/26; A45C 13/023; A45C 13/00;  
A45C 13/001; A47F 7/02; A47F 5/0006;  
A47F 5/0807; A47F 5/0815; A47F 5/0876  
See application file for complete search history.

(56) **References Cited**

**U.S. PATENT DOCUMENTS**

4,958,727	A *	9/1990	Bergeron	.....	A45C 11/16
					206/495
5,813,539	A *	9/1998	DePalma	.....	G09D 3/04
					40/107
D401,092	S *	11/1998	Patel	.....	D6/525
D657,172	S *	4/2012	Carr	.....	D6/513
8,727,110	B2 *	5/2014	Walsh	.....	A47G 29/08
					206/6.1
D714,568	S *	10/2014	Lehmann	.....	D6/514
D887,168	S	6/2020	Quarrell		
D944,529	S *	3/2022	Zhang	.....	D3/201
D946,945	S	3/2022	Wu		
11,319,652	B2 *	5/2022	Carol	.....	D04B 3/06
2010/0155266	A1 *	6/2010	Nicholson	.....	A45C 11/26
					206/6.1

2012/0125957	A1 *	5/2012	Barber	.....	A45F 3/46
					224/242
2015/0068993	A1 *	3/2015	Ye	.....	A45C 13/123
					211/85.2
2016/0286919	A1 *	10/2016	Martin	.....	A45C 13/10
2018/0295970	A1 *	10/2018	Warren	.....	A45D 8/185
2021/0037938	A1 *	2/2021	Landau	.....	A45C 11/008

\* cited by examiner

*Primary Examiner* — Lauren R Calve

(74) *Attorney, Agent, or Firm* — ScienBiziP, P.C.

(57) **CLAIM**

The ornamental design for a hanging earring organizer, as shown and described.

**DESCRIPTION**

FIG. 1 is a front, right and top perspective view of a hanging earring organizer, showing my design.

FIG. 2 is a rear, left and bottom perspective view thereof.

FIG. 3 is a front elevation view thereof.

FIG. 4 is a rear elevation view thereof.

FIG. 5 is a left side elevation view thereof.

FIG. 6 is a right side elevation view thereof.

FIG. 7 is a top plan view thereof.

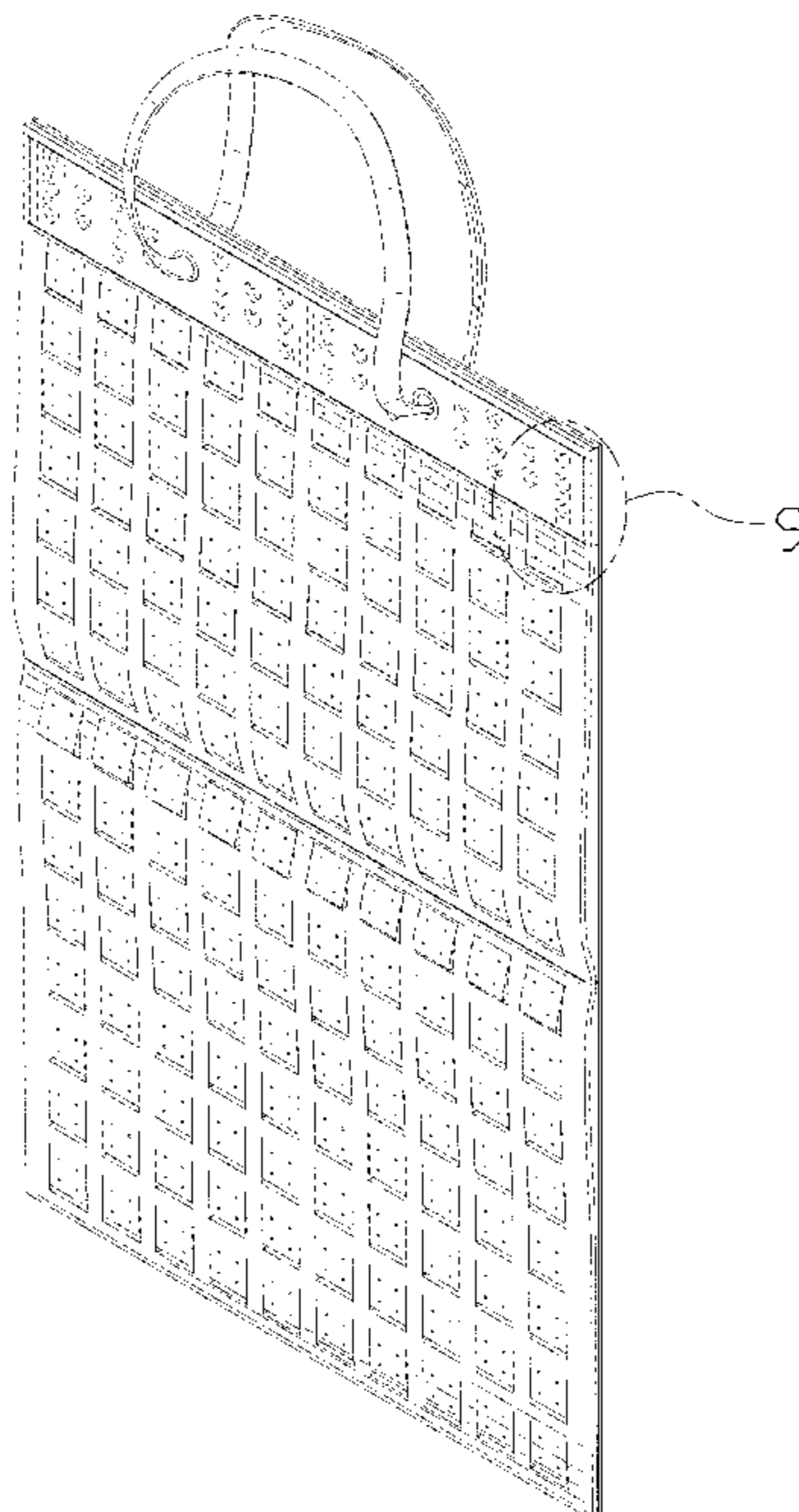
FIG. 8 is a bottom plan view thereof.

FIG. 9 is an enlarged view of detail 9 in FIG. 1; and,

FIG. 10 is another front, right and top perspective view of the hanging earring organizer in another state.

The broken lines depict portions of the hanging earring organizer that form no part of the claimed design. In addition, the dot-dash broken lines in FIGS. 1 and 9 depict the boundaries of the enlargements that form no part of the claimed design.

**1 Claim, 10 Drawing Sheets**



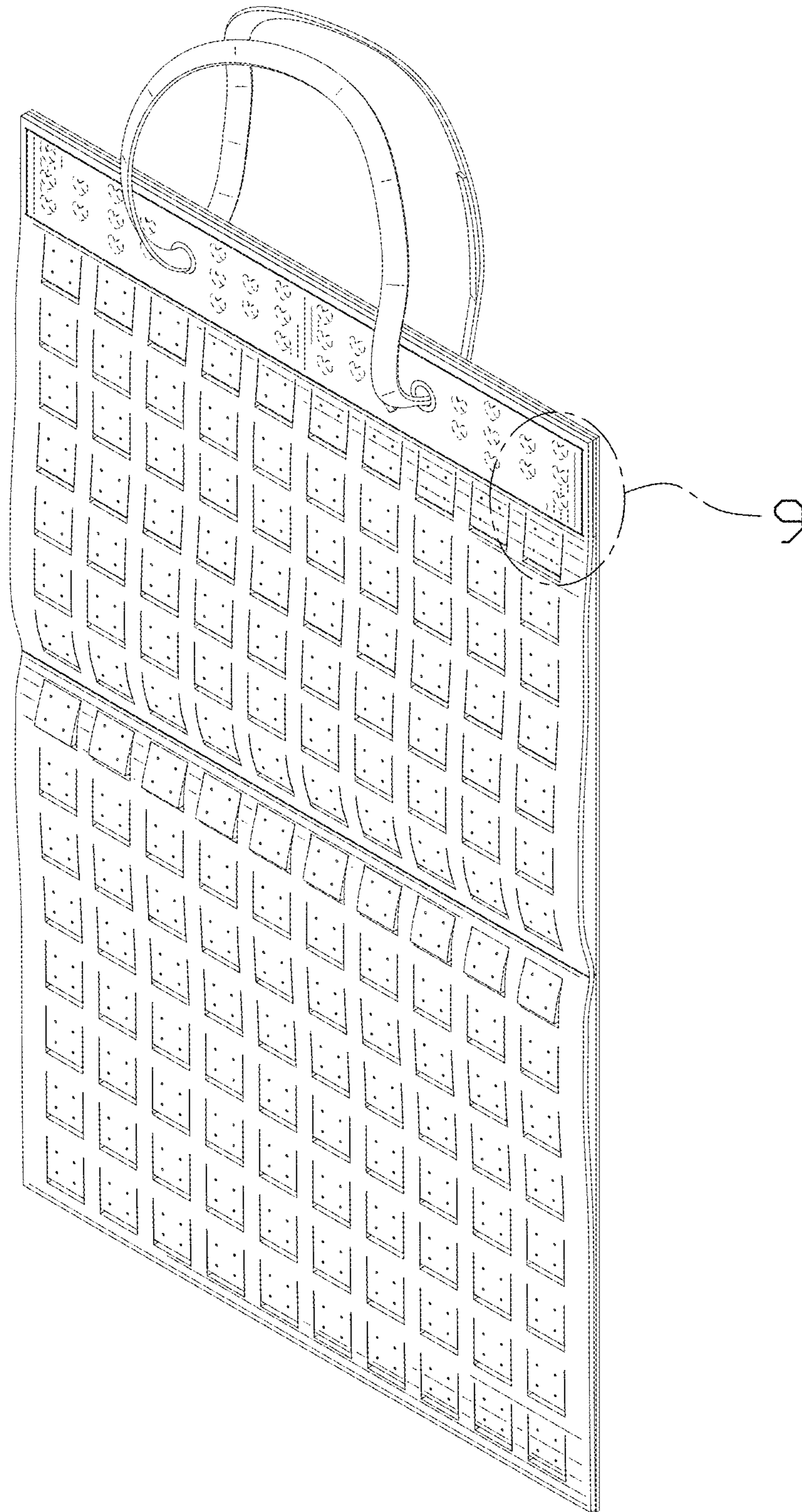


FIG. 1

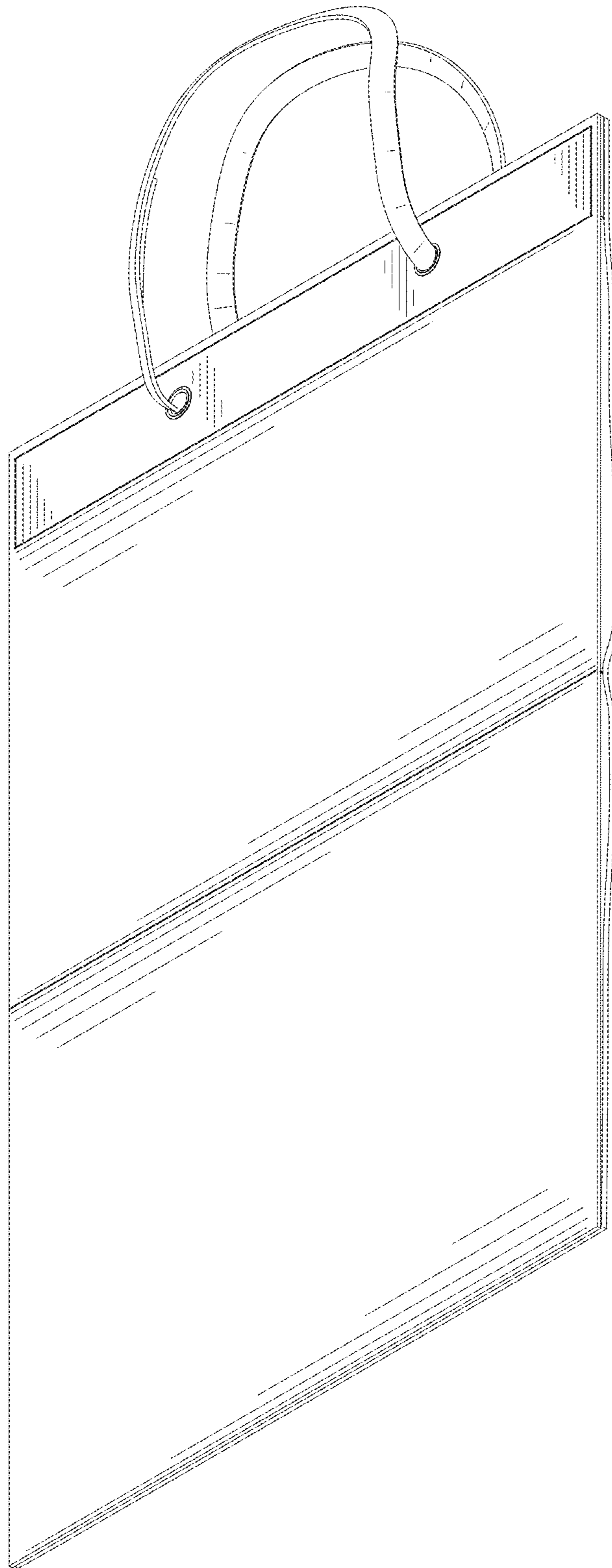


FIG. 2

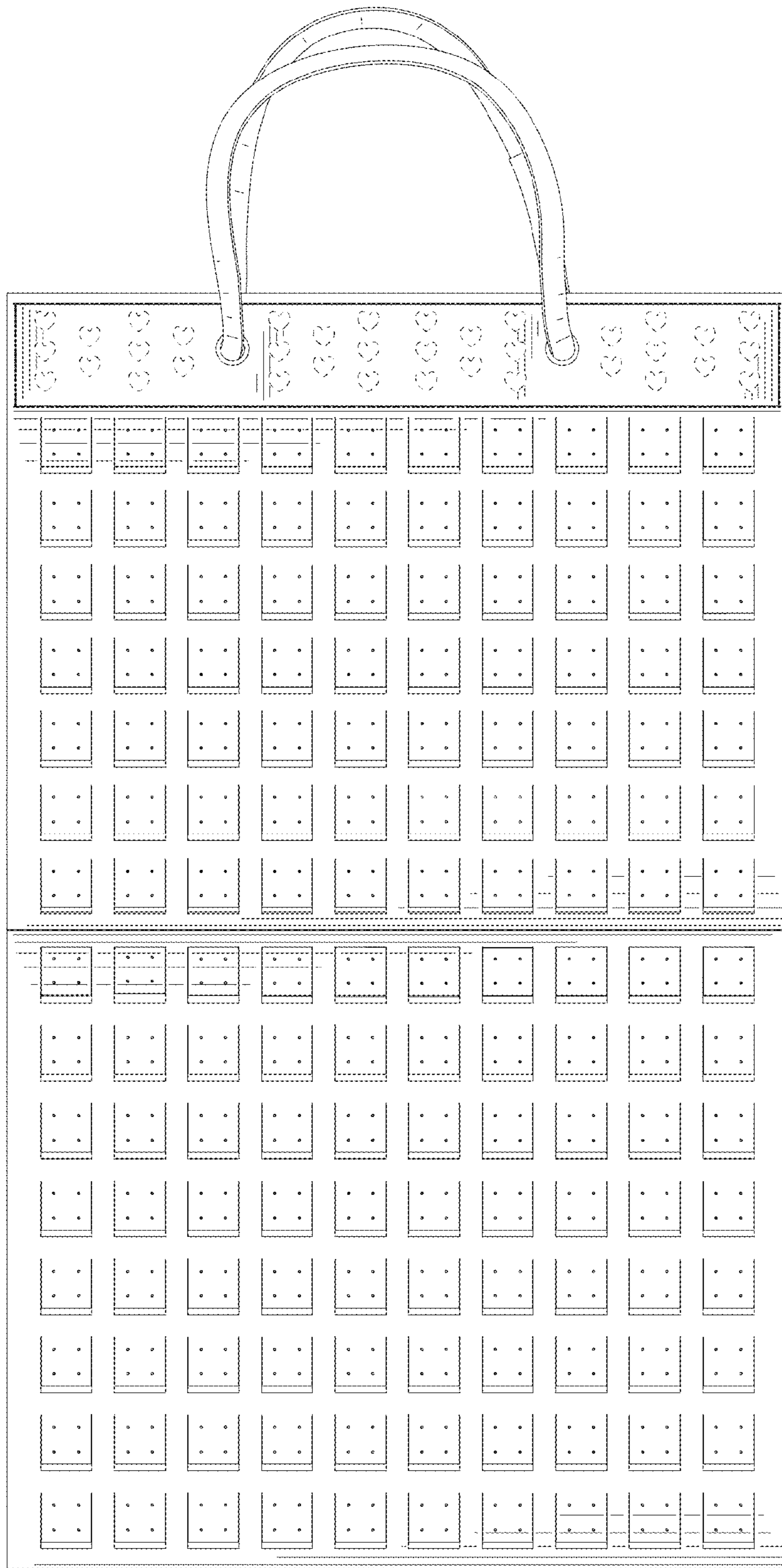


FIG. 3



FIG. 4

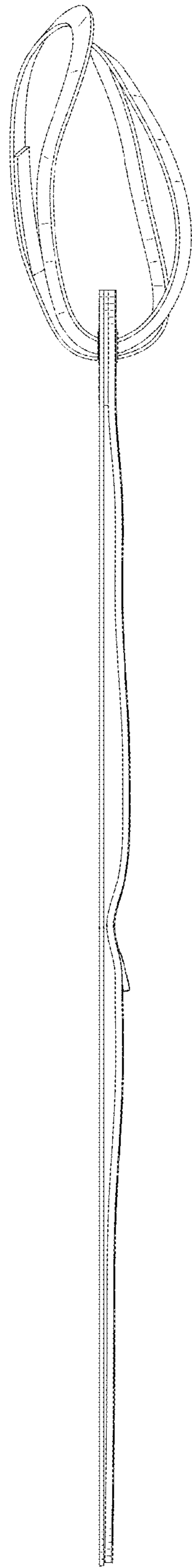


FIG. 5

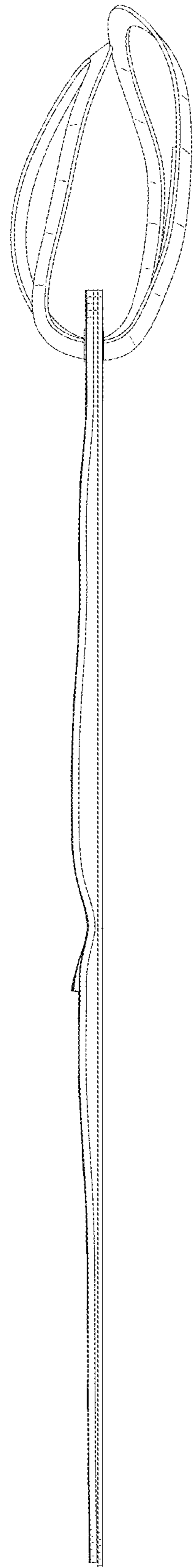


FIG. 6

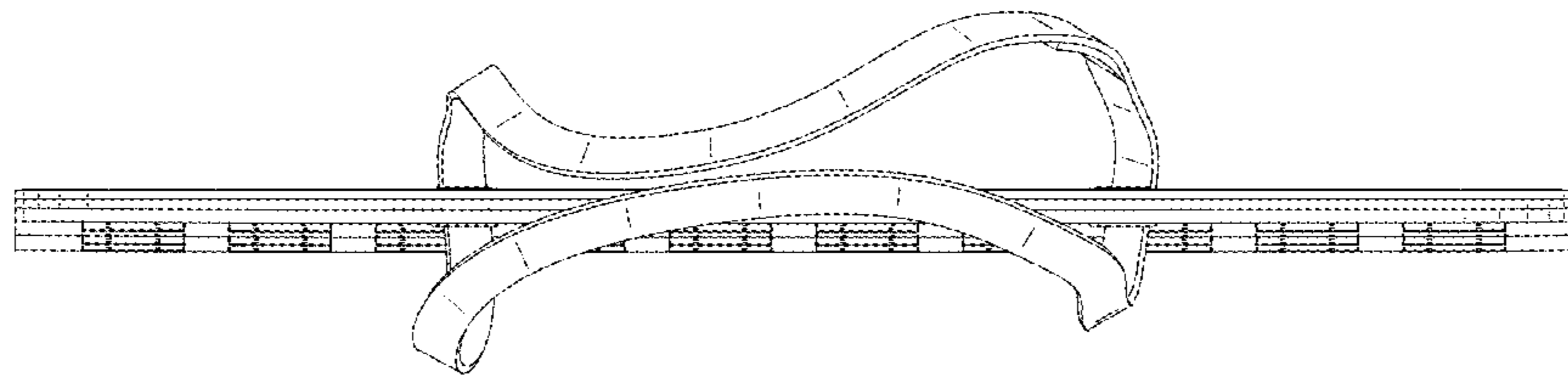


FIG. 7



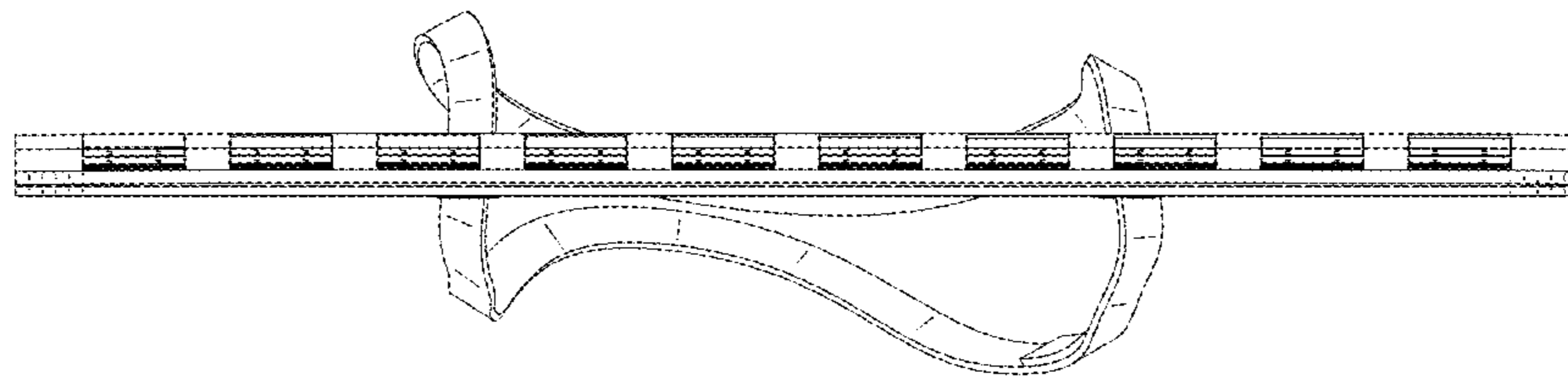


FIG. 8

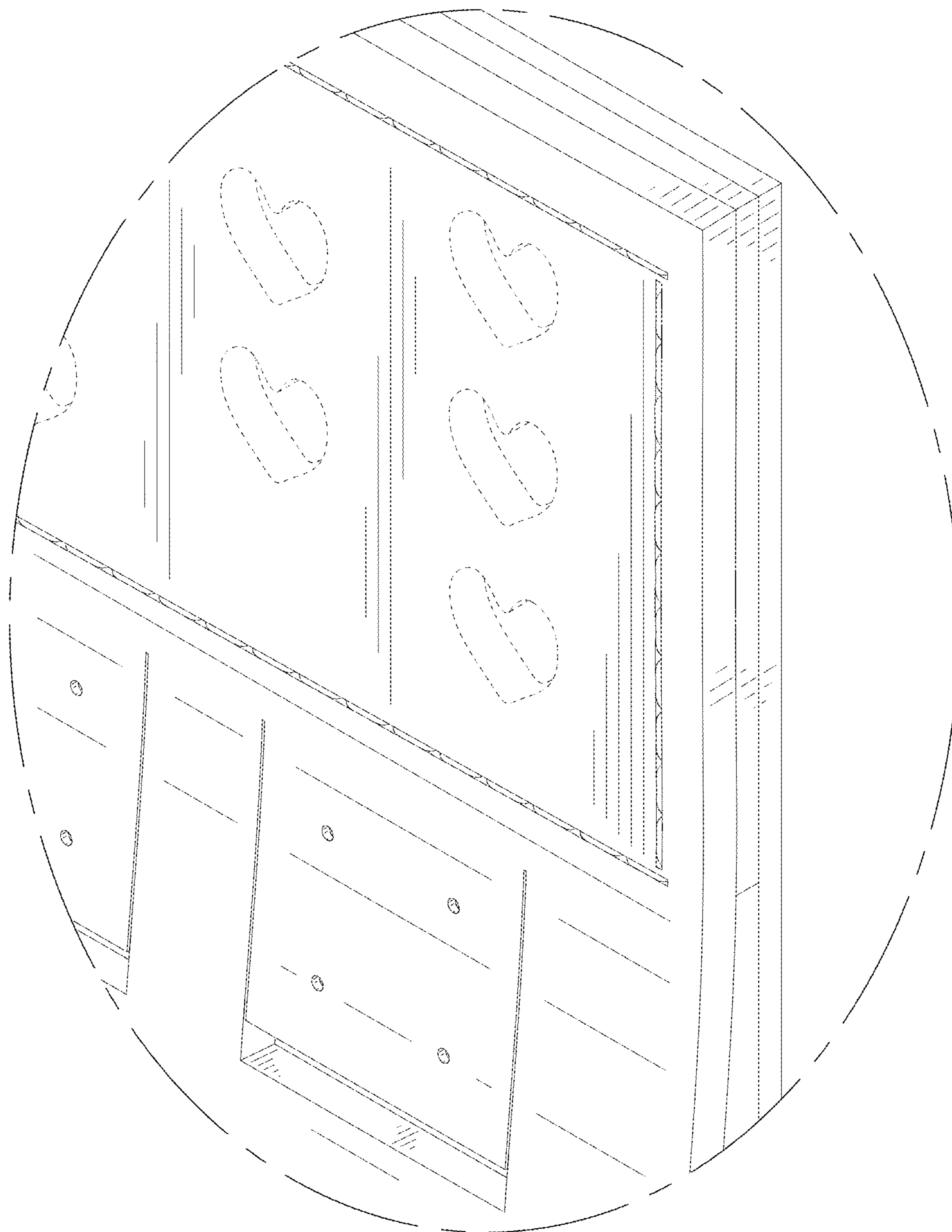


FIG. 9

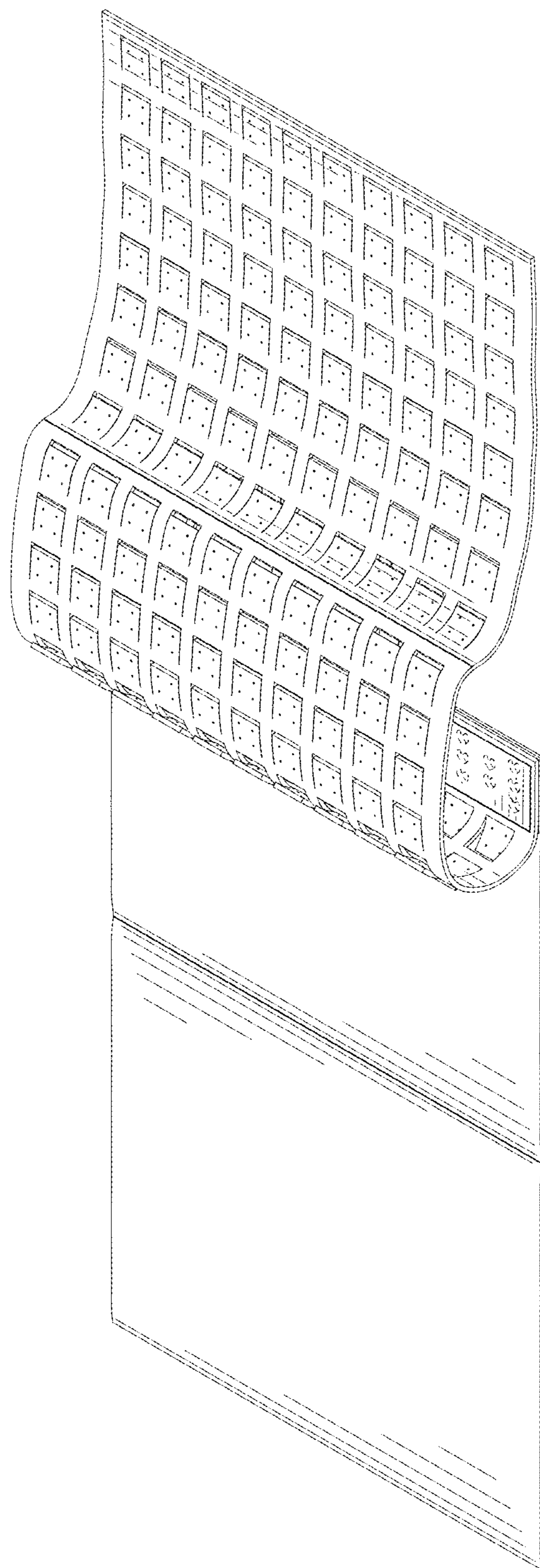


FIG. 10