



US00D986619S

(12) **United States Design Patent**  
**Veith**

(10) **Patent No.:** **US D986,619 S**

(45) **Date of Patent:** **\*\* May 23, 2023**

(54) **PRIVACY SCREEN**

(71) Applicant: **KMRup Holding GmbH**, Rupertshofen (DE)

(72) Inventor: **Horst Veith**, Rupertshofen (DE)

(\*\*) Term: **15 Years**

(21) Appl. No.: **29/754,977**

(22) Filed: **Oct. 16, 2020**

(51) **LOC (14) Cl.** ..... **06-06**

(52) **U.S. Cl.**

USPC ..... **D6/332**

(58) **Field of Classification Search**

USPC ..... D6/332, 335, 361, 377, 378, 381, 382, D6/383, 718

CPC .. A47C 7/66; A47C 1/143; A47C 4/00; A47C 1/14; A47C 7/62

See application file for complete search history.

(56) **References Cited**

**U.S. PATENT DOCUMENTS**

D201,750 S *	7/1965	Melchior	.....	D6/335
D320,315 S *	10/1991	Totzek	.....	D6/381
D339,246 S *	9/1993	Hutton	.....	D6/377
D431,381 S *	10/2000	Gomez	.....	D6/377
D545,580 S *	7/2007	Marin	.....	A47C 1/143
				D6/361
D660,043 S *	5/2012	Nguyen	.....	D6/377
D698,178 S *	1/2014	Nguyen	.....	D6/381
D707,054 S *	6/2014	Beucler	.....	D6/377
D733,443 S *	7/2015	Griffin	.....	D6/361
D829,017 S *	9/2018	Cazzaniga	.....	D6/377
D874,173 S *	2/2020	Carter	.....	D6/361
D875,419 S *	2/2020	Glismand	.....	D6/382
D878,796 S *	3/2020	Gabbertas	.....	D6/378
D897,715 S *	10/2020	Smrstick	.....	D6/377
D904,783 S *	12/2020	Archer	.....	D6/377

D911,727 S *	3/2021	Citterio	.....	D6/361
11,006,710 B1 *	5/2021	Park	.....	A45B 23/00
D967,634 S *	10/2022	Simone	.....	D6/332
D972,317 S *	12/2022	Crawford	.....	D6/332
2006/0054207 A1 *	3/2006	Woolliff	.....	A47C 7/66
				135/96

**OTHER PUBLICATIONS**

“Privatim II BeachLounger.” Found online Jul. 11, 2022 at www.kmrup.com. No verifiable date. Retrieved from URL: https://kmrup.com/en/privatim-ii (Year: 2022).\*

“Identify Gaps In The Market And Fill Them With Innovations.” Found online Jul. 11, 2022 at www.gfm-gartenmarkt.de. Page dated Nov. 9, 2020. Retrieved from URL: https://gfm-gartenmarkt.de/artikel/14211-marktluecken-erkennen-und-mit-innovationen-fuellen/ (Year: 2020).\*

(Continued)

*Primary Examiner* — Mary Ann Calabrese

*Assistant Examiner* — Katelin G Kloberg

(74) *Attorney, Agent, or Firm* — Jeffrey M. Furr; Furr Law Firm

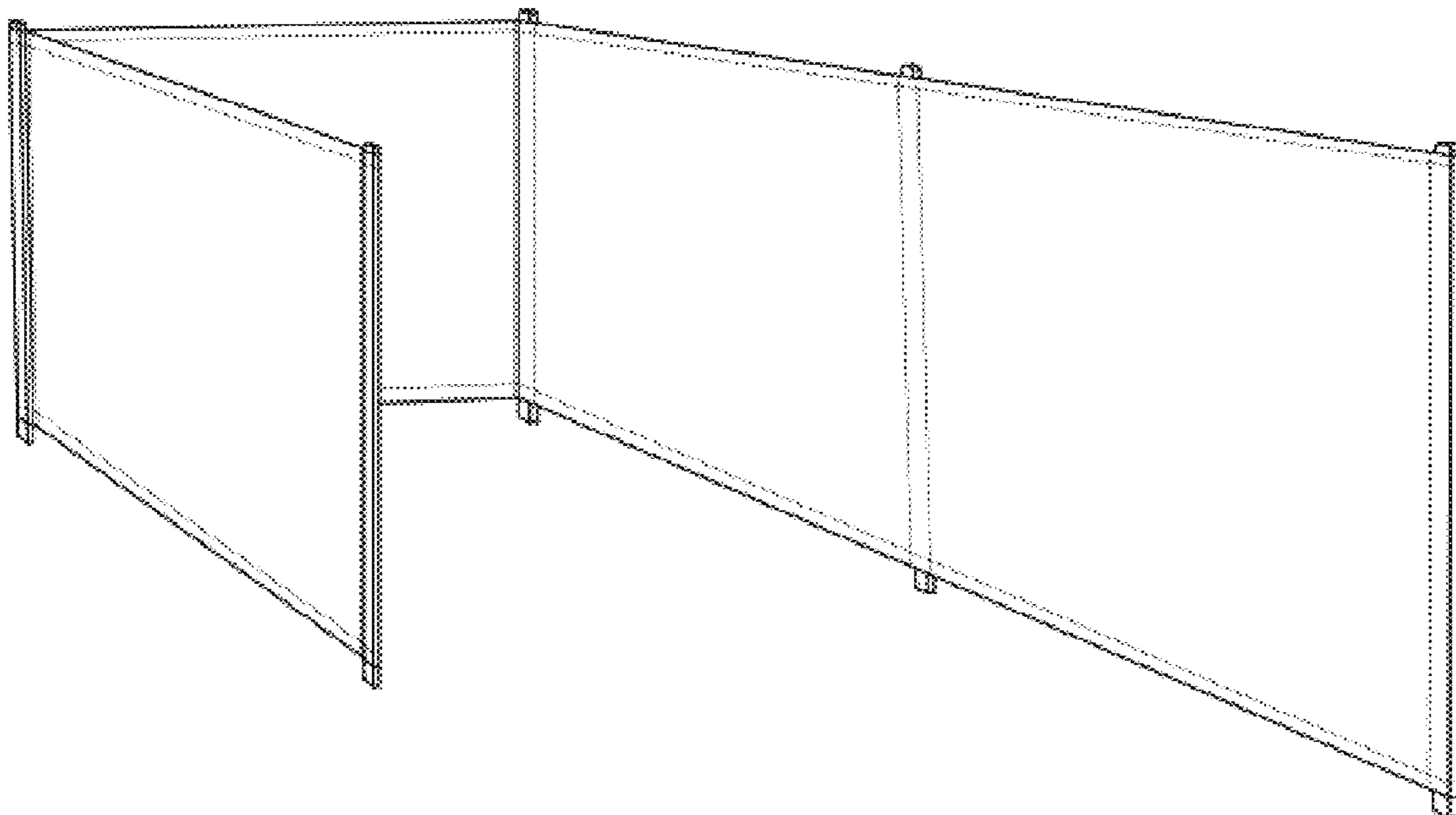
(57) **CLAIM**

The ornamental design for a privacy screen, as shown.

**DESCRIPTION**

FIG. 1 is a right front perspective view of the privacy screen showing my new design thereof; FIG. 2 is a right side view thereof; FIG. 3 is a left side view thereof; FIG. 4 is a top view thereof; FIG. 5 is a bottom view thereof; FIG. 6 is a front view thereof; and, FIG. 7 is a back view thereof.

**1 Claim, 7 Drawing Sheets**



(56)

**References Cited**

OTHER PUBLICATIONS

“13 ft Beach Windscreen Privacy Windblocker.” Found online Jul. 11, 2022 at [www.amazon.com](http://www.amazon.com). Product first available Mar. 16, 2013. Retrieved from URL: <https://www.amazon.com/Beach-Windscreen-Privacy-Windbreak-Europe/dp/B071W9M7YP> (Year: 2013).\*

“What is a Divan Bed? Guide to Divans.” Found online Jul. 11, 2022 at [www.mattressonline.co.uk](http://www.mattressonline.co.uk). Page archived Aug. 6, 2020. Retrieved from URL: <https://web.archive.org/web/20200806002858/https://www.mattressonline.co.uk/advice/what-is-divan-bed> (Year: 2020).\*

\* cited by examiner

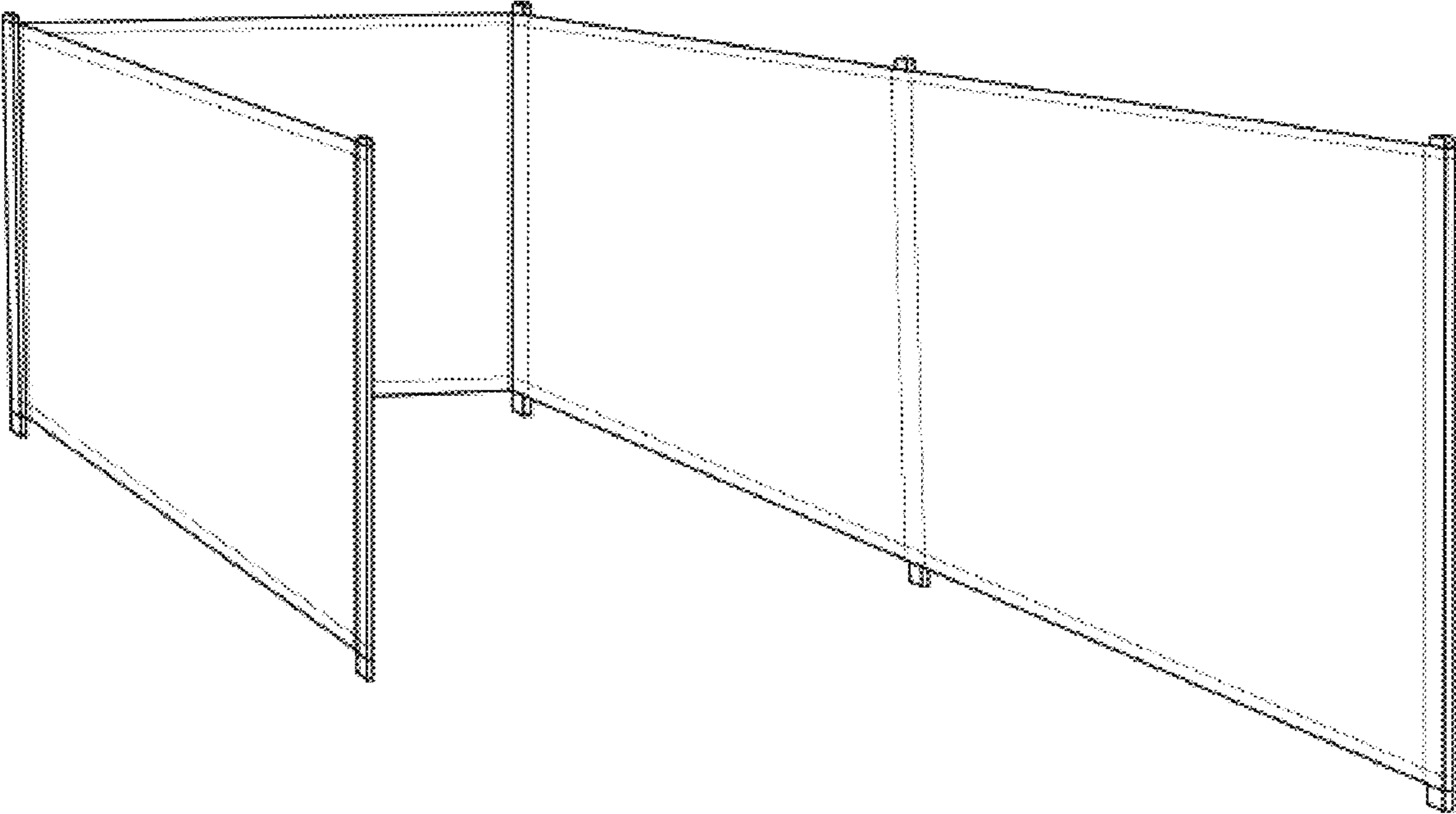


Fig. 1

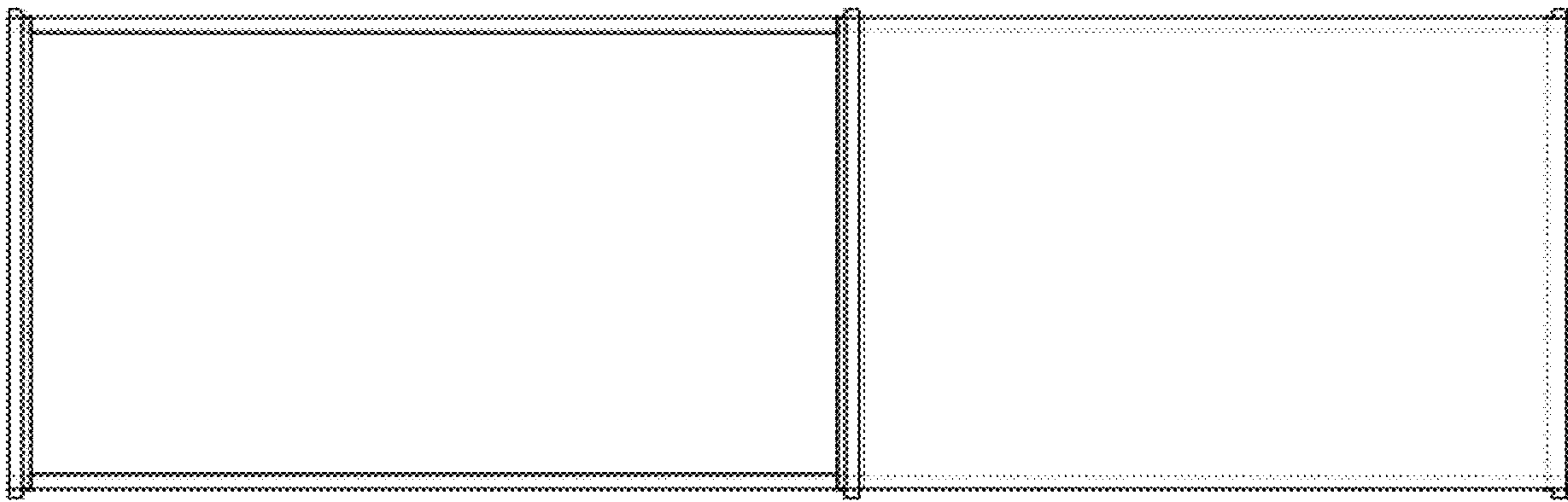


Fig. 2

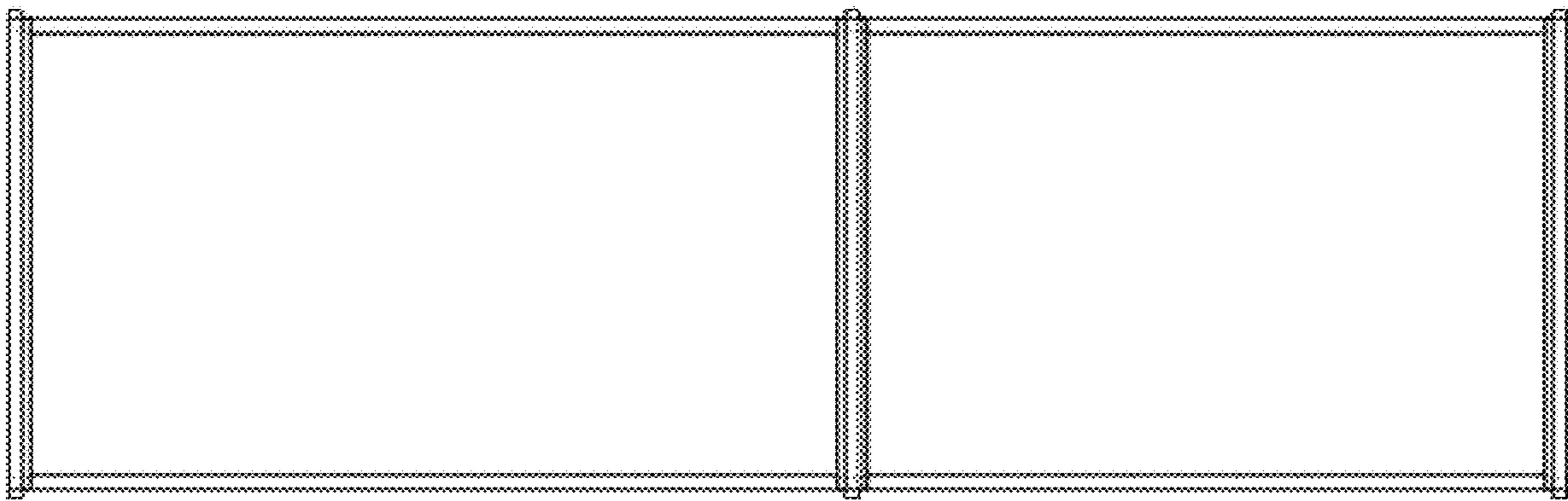


Fig. 3

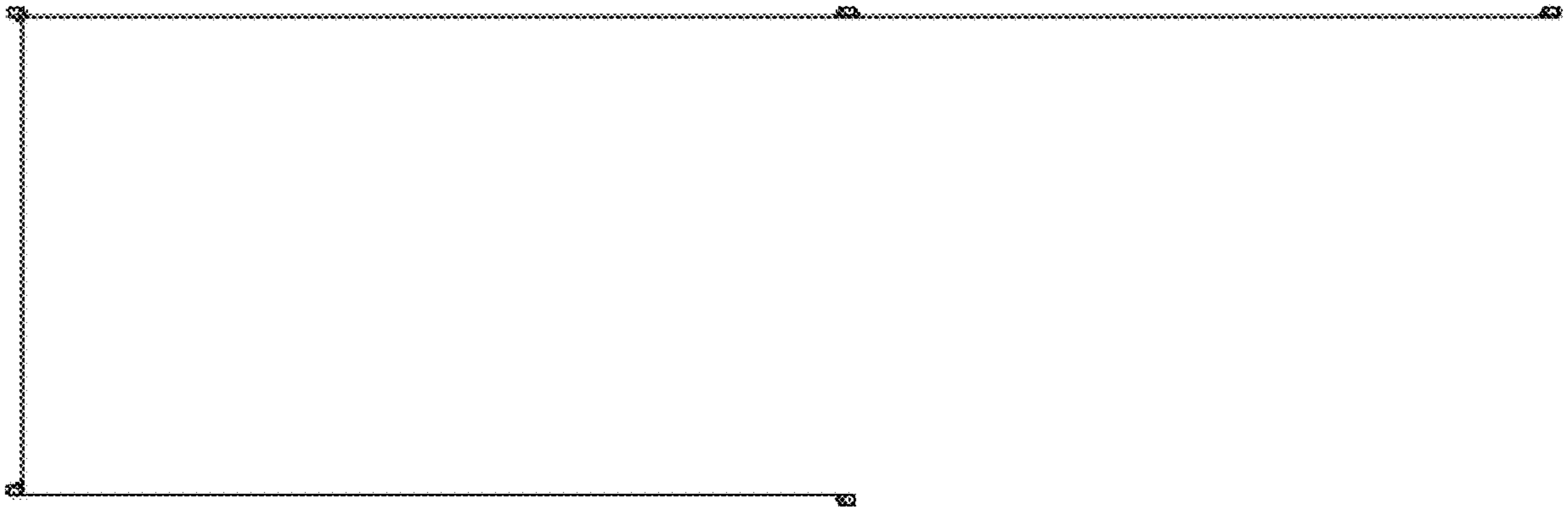


Fig. 4

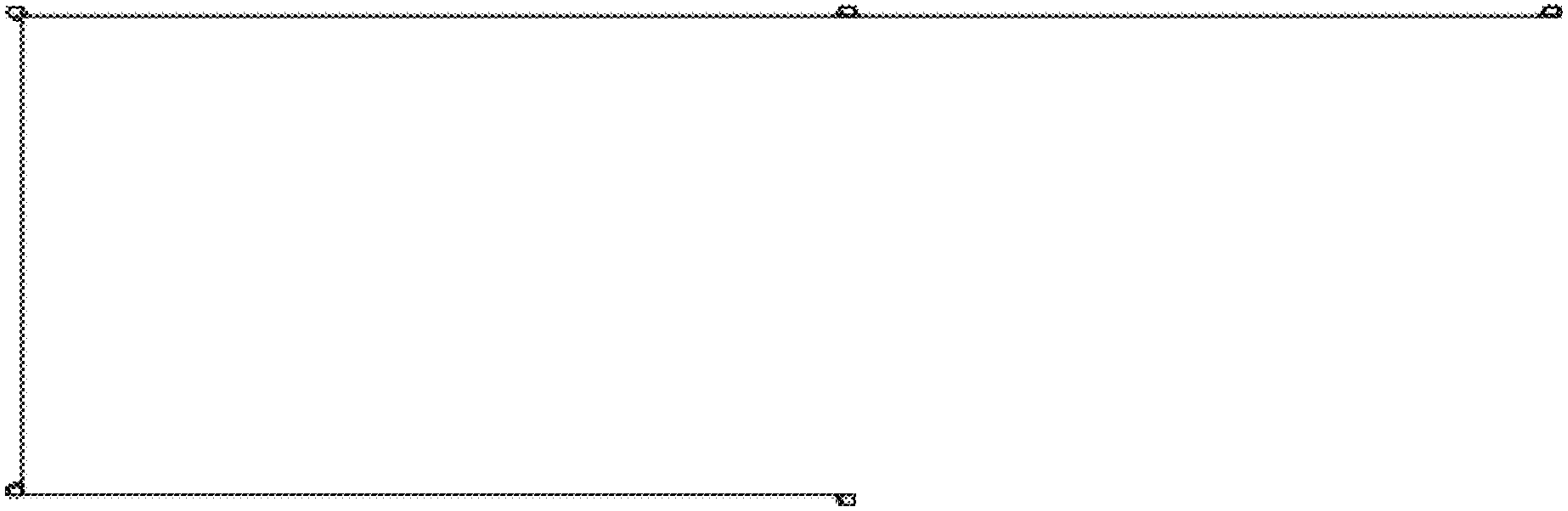


Fig. 5

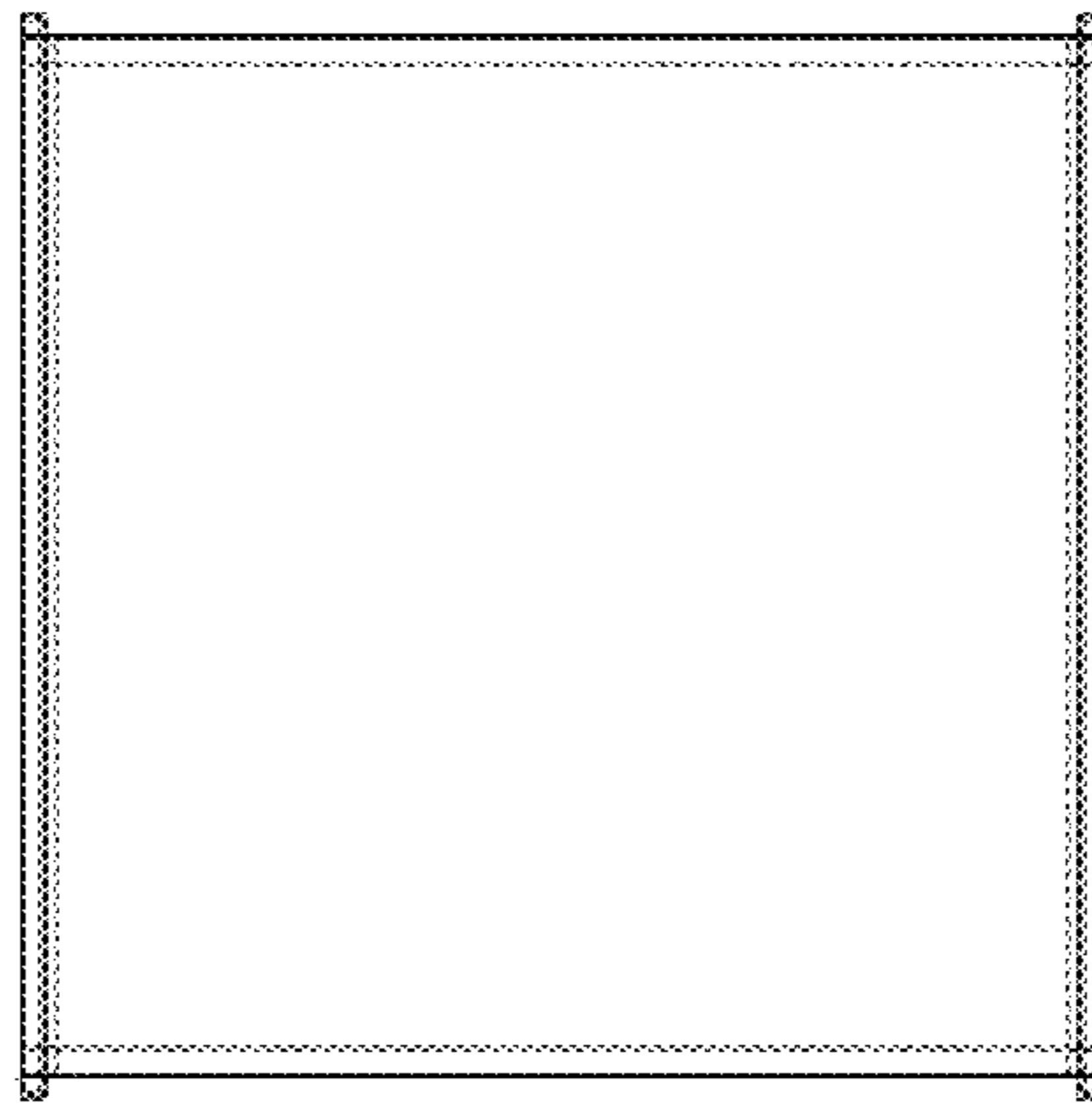


Fig. 6



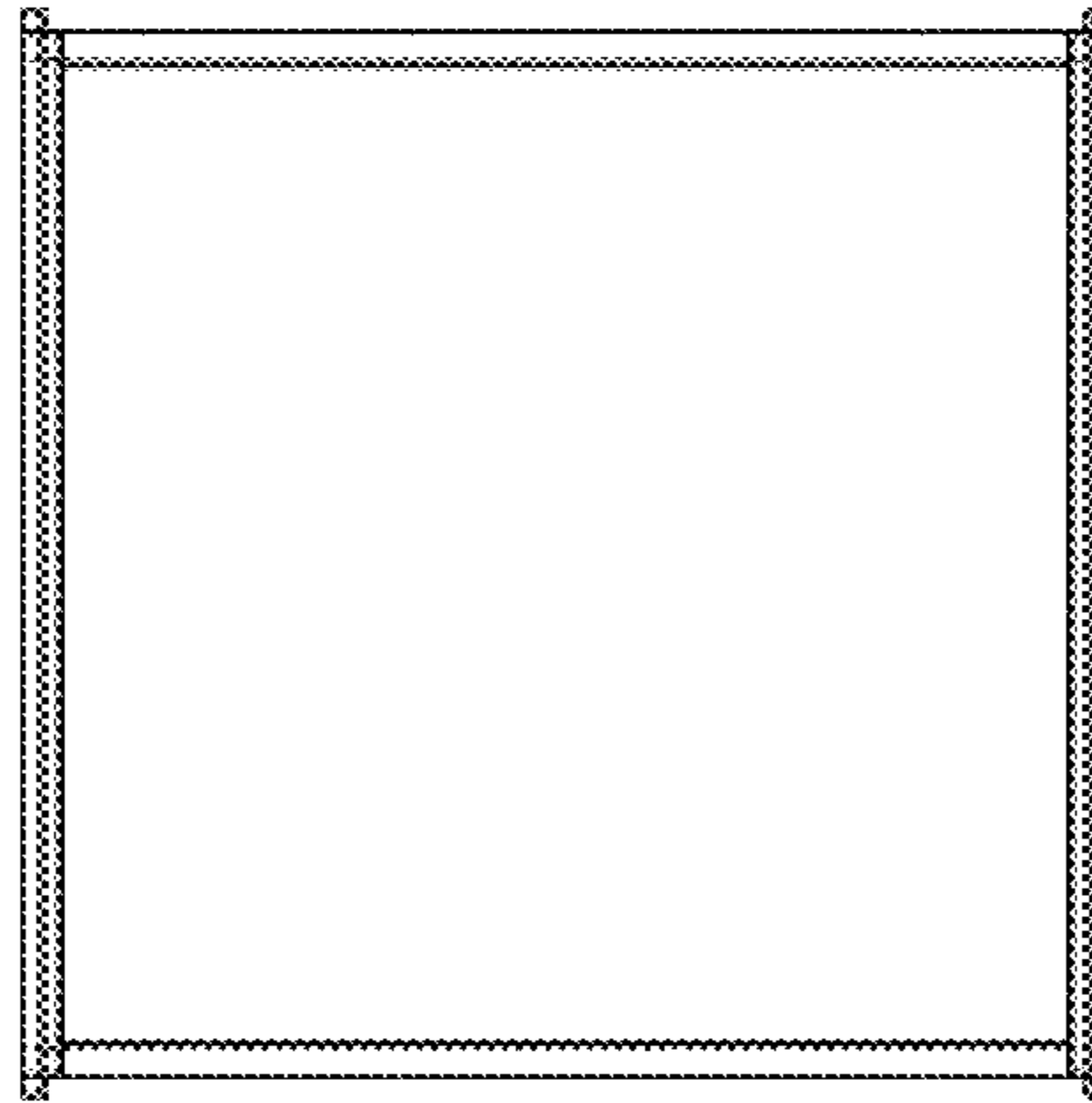


Fig. 7