



US00D986618S

(12) **United States Design Patent** (10) **Patent No.:** **US D986,618 S**  
**Galiotto et al.** (45) **Date of Patent:** **\*\* May 23, 2023**

(54) **ARMCHAIR**  
(71) Applicant: **Nardi S.p.A.**, Chiampo (IT)  
(72) Inventors: **Raffaello Galiotto**, Chiampo (IT);  
**Giampietro Nardi**, Chiampo (IT)  
(73) Assignee: **NARDI S.P.A.**, Chiampo (IT)  
(\*\*) Term: **15 Years**

D458,468 S *	6/2002	Levrangi .....	D6/379
D474,904 S *	5/2003	Ciabatti .....	D6/370
D779,224 S *	2/2017	Duvigneau .....	D6/379
D787,215 S *	5/2017	Ruiz .....	D6/375
D871,095 S *	12/2019	Lucidi .....	D6/373
D871,097 S *	12/2019	Coirier .....	D6/376
D871,098 S *	12/2019	Giampietro .....	D6/379
D913,718 S *	3/2021	Prokofiev .....	D6/379
D957,152 S *	7/2022	Bentzen .....	D6/374
D968,113 S *	11/2022	Chen .....	D6/370

(21) Appl. No.: **29/807,985**  
(22) Filed: **Sep. 16, 2021**

**FOREIGN PATENT DOCUMENTS**

EM	007822762-0001	*	5/2022
EM	009163405-0001	*	9/2022

(30) **Foreign Application Priority Data**

Mar. 22, 2021 (EM) ..... 008470983-0001

(51) **LOC (14) Cl.** ..... **06-06**

(52) **U.S. Cl.**  
USPC ..... **D6/379**

(58) **Field of Classification Search**  
USPC ..... D6/300-719  
CPC .. A47C 1/02; A47C 4/028; A47C 4/02; A47C 7/02; A47C 7/20; A47C 7/14; A47C 7/44; A47C 1/124; A47C 3/34; A47C 5/12; A47C 5/125; A47C 7/506; A47C 9/007; A47C 13/023; A47C 31/02; A47C 5/06; A47C 5/08; A47C 4/03; A47C 5/02; A47C 7/282; A47C 7/285; A47C 7/54; A47C 4/024; A47C 4/025; A47C 13/005; A47C 31/113; A47C 3/00; A47C 3/04; B60R 2/0284

See application file for complete search history.

(56) **References Cited**

**U.S. PATENT DOCUMENTS**

D178,287 S *	7/1956	Hamilton et al. ....	D6/380
D443,993 S *	6/2001	Kelley .....	D6/370
D448,184 S *	9/2001	Hoisl .....	D6/368

**OTHER PUBLICATIONS**

New! The new Doga Collection, posted Feb. 18, 2022 [online], [retrieved Mar. 20, 2023]. Retrieved from internet, <https://www.nardioutdoorusa.com/> (Date:2023) (Year: 2022).\*

(Continued)

*Primary Examiner* — Christian P. McLean  
*Assistant Examiner* — Kristopher Michael Blechschmidt  
(74) *Attorney, Agent, or Firm* — Lucas & Mercanti, LLP

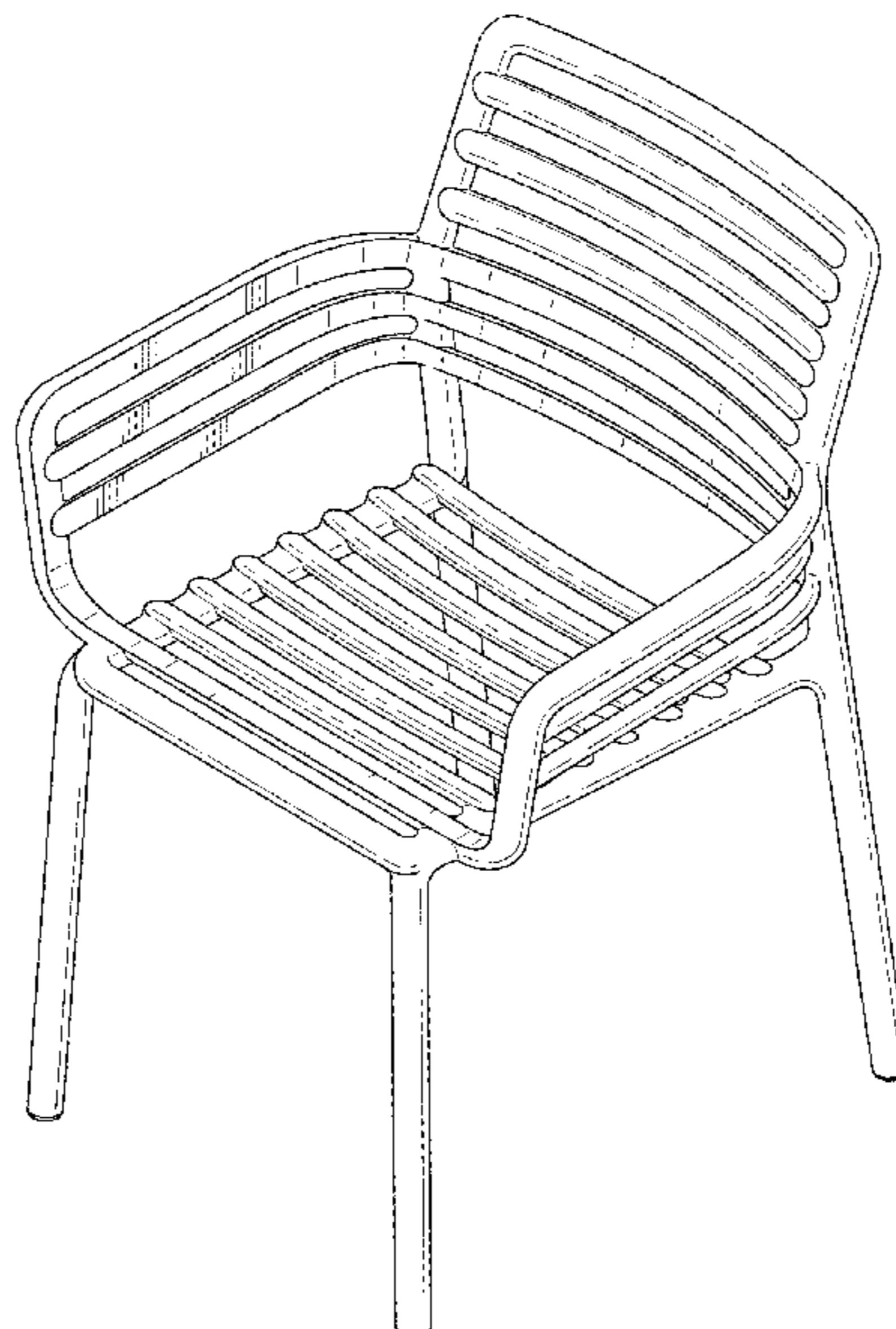
(57) **CLAIM**

The ornamental design for an armchair, as shown and described.

**DESCRIPTION**

FIG. 1 is a front perspective view of an armchair in accordance with my design;  
FIG. 2 is a front view thereof;  
FIG. 3 is a right side view, with the left side being a mirror image thereof;  
FIG. 4 is a rear view thereof;  
FIG. 5 is a top view thereof; and,  
FIG. 6 is a bottom view thereof.

**1 Claim, 6 Drawing Sheets**



(56)

**References Cited**

OTHER PUBLICATIONS

Tarifa, posted 2015 [online], [retrieved Mar. 20, 2023]. Retrieved from internet, [https://www.archiproducts.com/en/products/isimar/galvanized-steel-garden-chair-with-armrests-tarifa-chair-with-armrests\\_195858](https://www.archiproducts.com/en/products/isimar/galvanized-steel-garden-chair-with-armrests-tarifa-chair-with-armrests_195858) (Date:2023) (Year: 2015).\*

Nardi, posted Sep. 4, 2021 [online], [retrieved Mar. 21, 2023]. Retrieved from internet, [https://www.galiottodesign.it/?evento=nardi\\_interni2021](https://www.galiottodesign.it/?evento=nardi_interni2021) (Date:2023) (Year: 2021).\*

Raffaello Galiotto, posted May 21, 2021 [online], [retrieved Mar. 21, 2023]. Retrieved from internet, <https://www.facebook.com/raffaello.galiotto/photos/pb.100052612603796.-2207520000./1801109943397055/?type=3> (Year: 2021).\*

\* cited by examiner

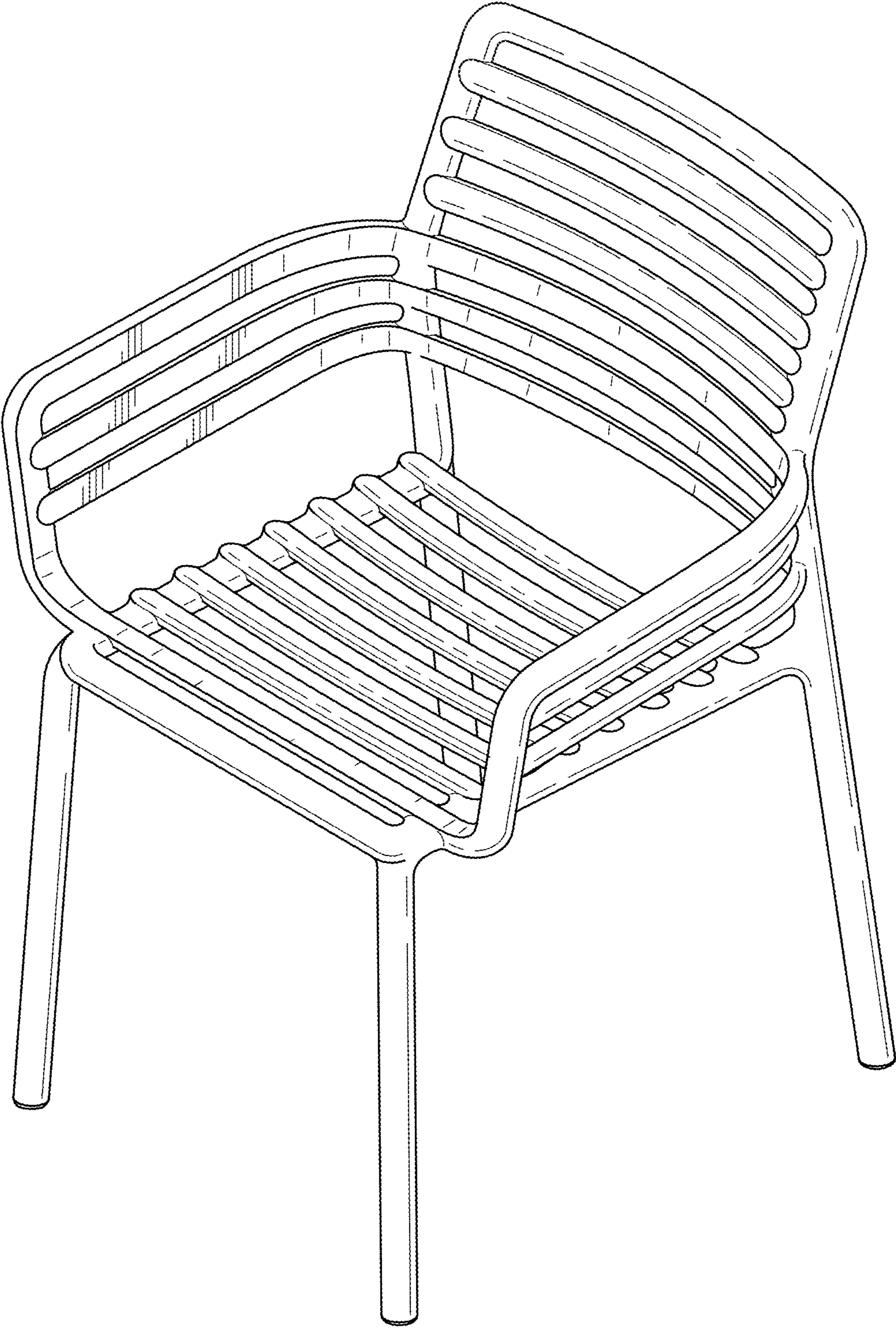


FIG. 1

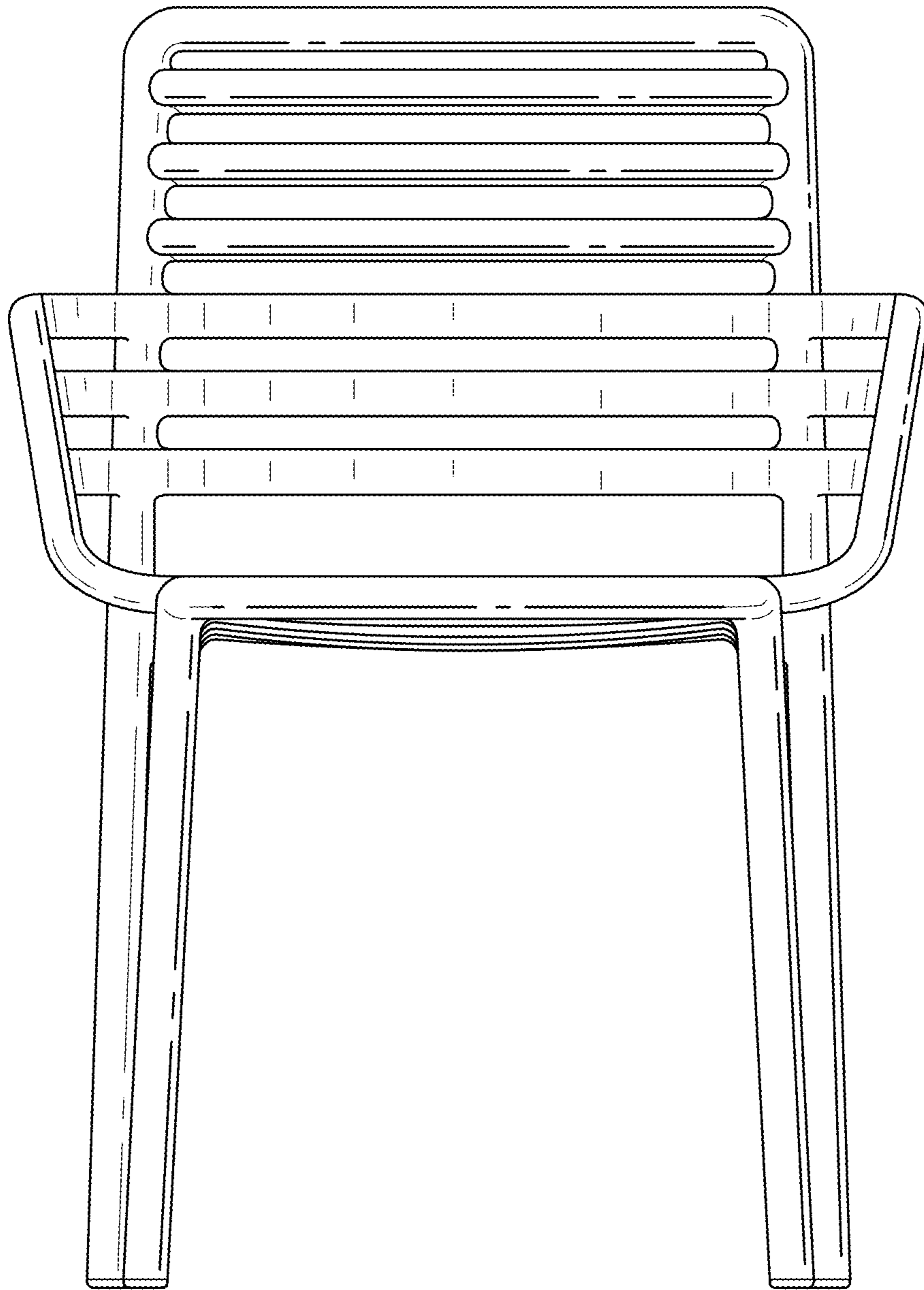


FIG. 2

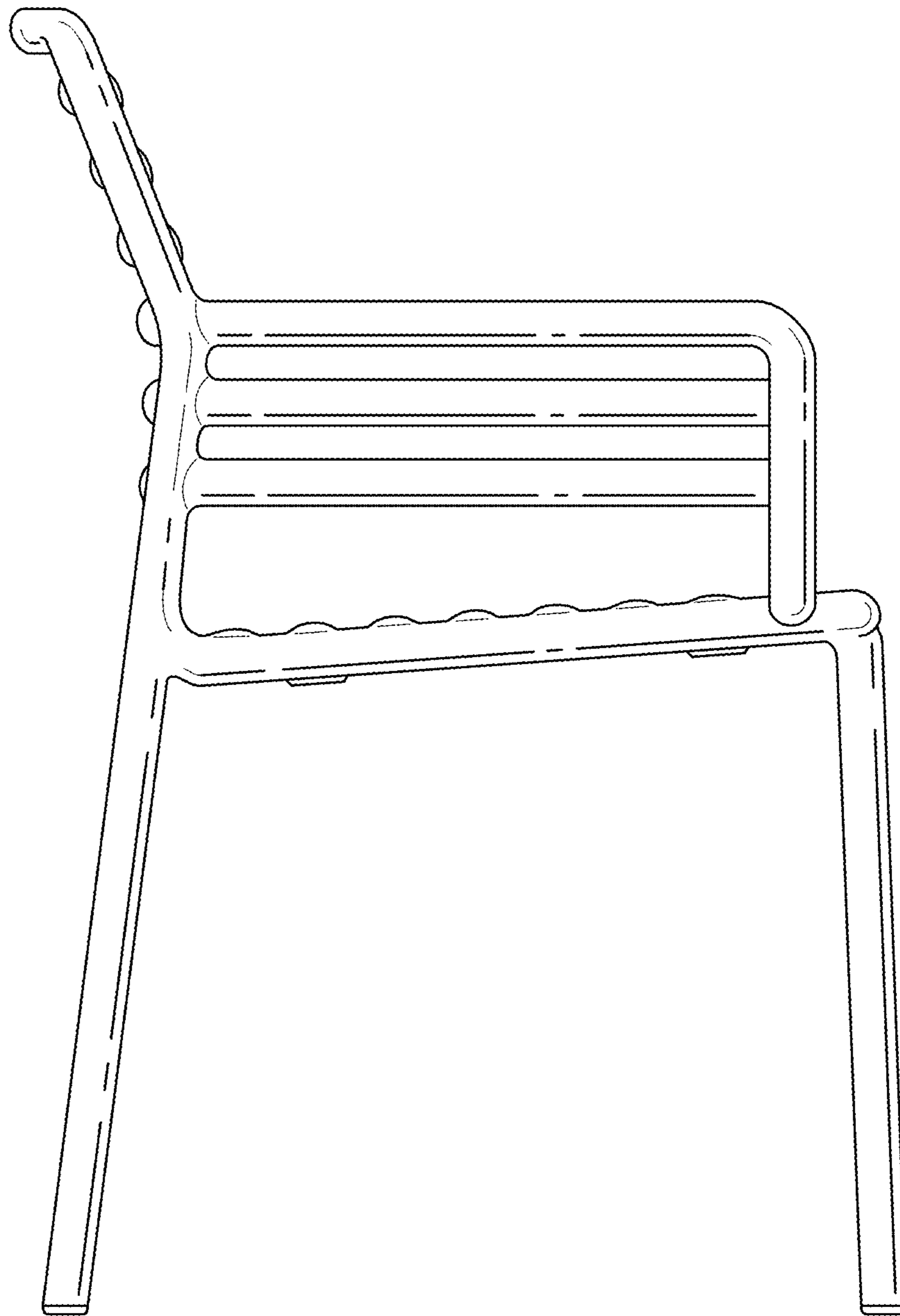


FIG. 3

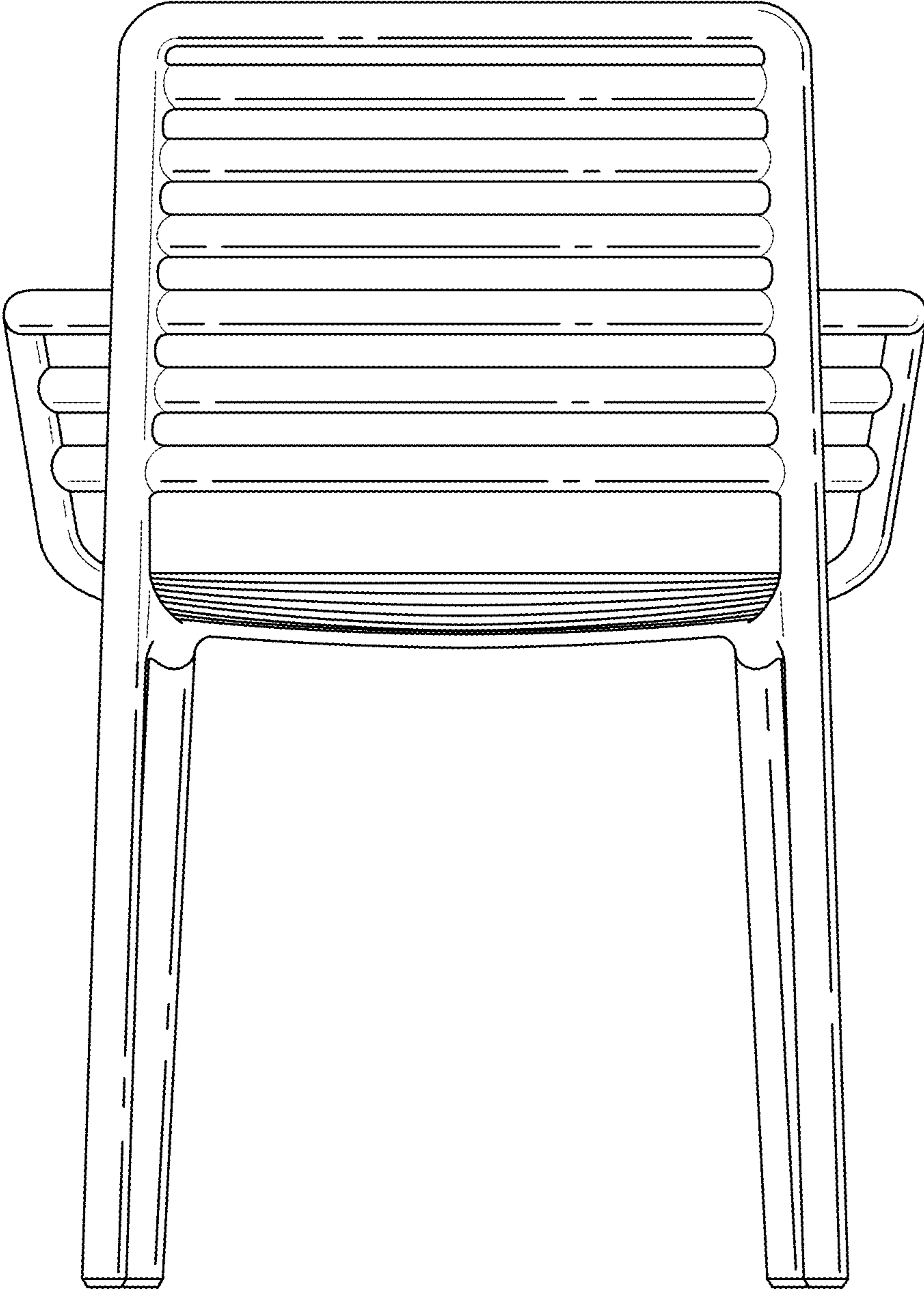


FIG. 4

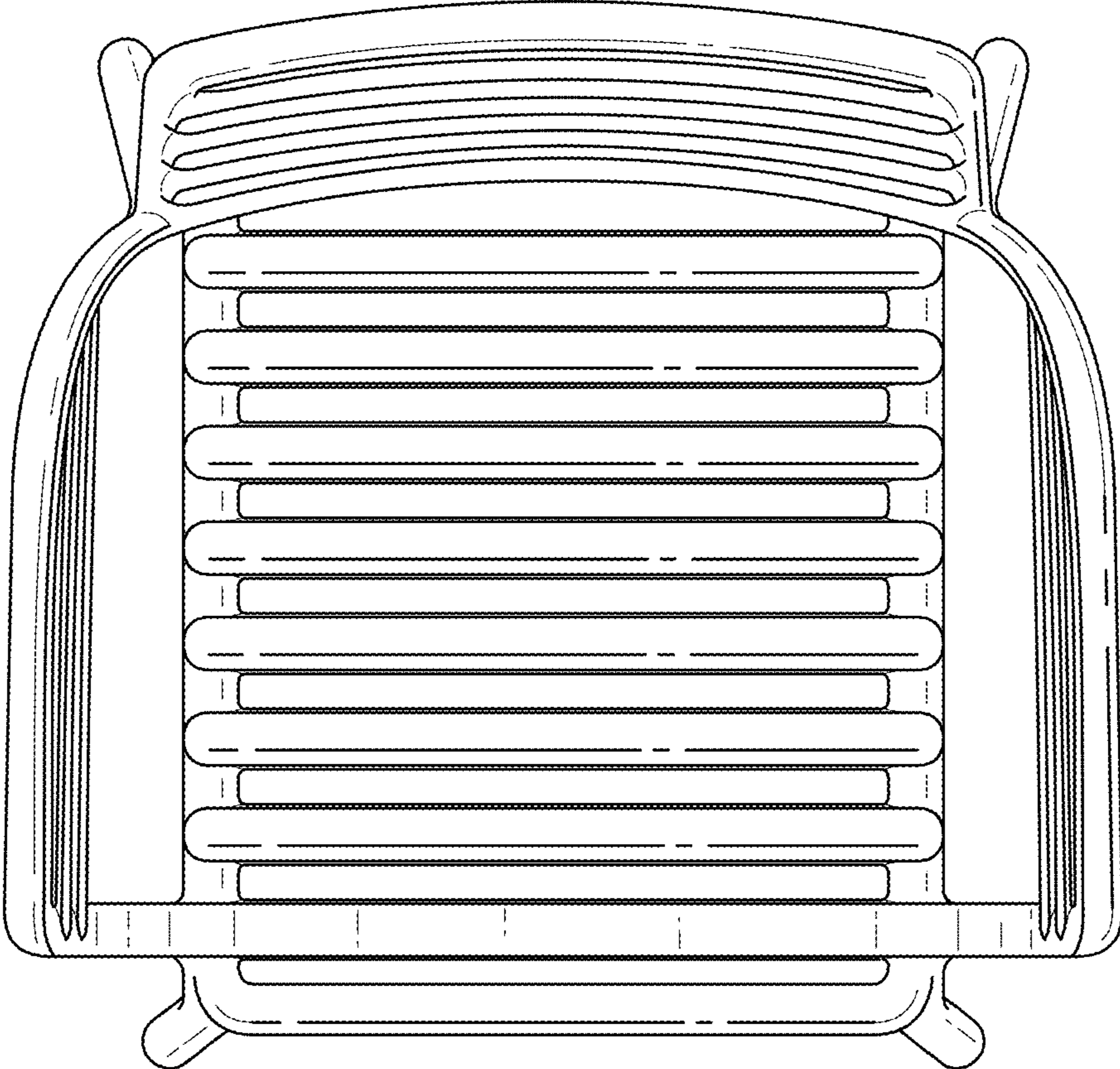


FIG. 5

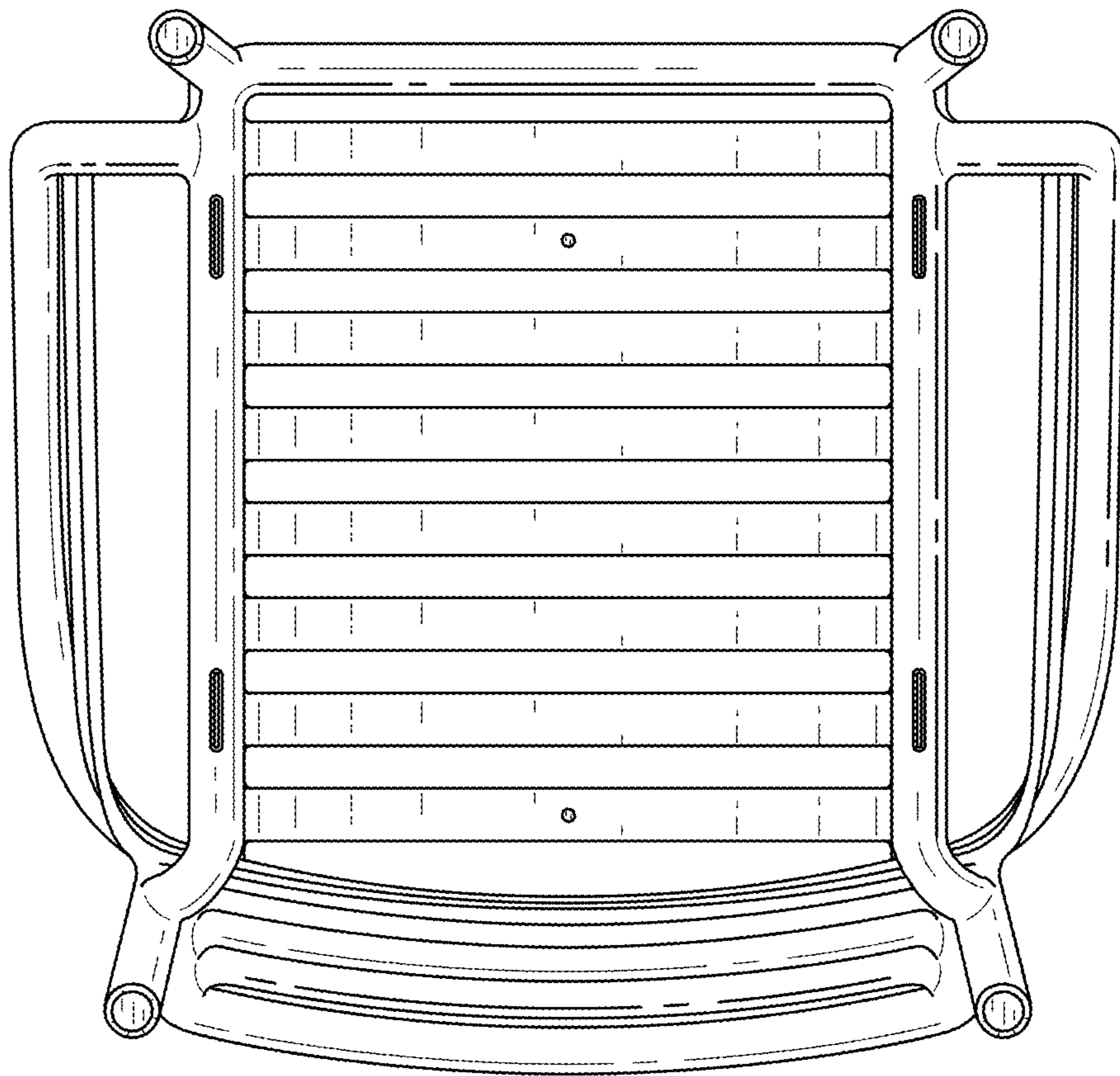


FIG. 6