



US00D986616S

(12) **United States Design Patent** (10) **Patent No.:** **US D986,616 S**  
**Shahzad et al.** (45) **Date of Patent:** **\*\* May 23, 2023**

(54) **SKIRTED CHAIR**  
(71) Applicants: **Abdullah Shahzad**, Aurora, IL (US);  
**Francisco Allen**, Oak Park, IL (US)  
(72) Inventors: **Abdullah Shahzad**, Aurora, IL (US);  
**Francisco Allen**, Oak Park, IL (US)  
(73) Assignee: **Norix Group, Inc.**, West Chicago, IL (US)  
(\*\*) Term: **15 Years**  
(21) Appl. No.: **29/734,556**  
(22) Filed: **May 13, 2020**  
(51) **LOC (14) Cl.** ..... **06-01**  
(52) **U.S. Cl.**  
USPC ..... **D6/374**  
(58) **Field of Classification Search**  
USPC ..... D6/334, 366, 367, 372, 373, 374, 379,  
D6/380, 716.1, 716.4  
CPC ..... A47C 1/02; A47C 1/022; A47C 1/024;  
A47C 3/12; A47C 3/18; A47C 3/026;  
A47C 7/18; A47C 7/36; A47C 7/40;  
A47C 7/46  
See application file for complete search history.

2011/0215622 A1\* 9/2011 Berk ..... A47C 31/11  
297/219.1  
2017/0013962 A1\* 1/2017 Bandy ..... A47C 5/125  
2021/0030159 A1\* 2/2021 Case ..... A47C 1/02

**OTHER PUBLICATIONS**

Pottery Barn. [https://www.potterybarn.com/products/pb-classic-slope-slipcovered-dining-chairs/?catalogId=84&sku=1048614&cm\\_ven=PLA&cm\\_cat=Google&cm\\_pla=Furniture%20%3E%20Dining%20Chairs&region\\_id=477340&cm\\_ite=1048614\\_14546951700&gclid=Cj0KCQiAxoiQBhCRARIsAPsvo-zzdtrz2ysQAE\\_5p-ZGLITYINszvUfVziXOvP3Dt6NDZGCYhqGMeaYaAgokEALw\\_wcB](https://www.potterybarn.com/products/pb-classic-slope-slipcovered-dining-chairs/?catalogId=84&sku=1048614&cm_ven=PLA&cm_cat=Google&cm_pla=Furniture%20%3E%20Dining%20Chairs&region_id=477340&cm_ite=1048614_14546951700&gclid=Cj0KCQiAxoiQBhCRARIsAPsvo-zzdtrz2ysQAE_5p-ZGLITYINszvUfVziXOvP3Dt6NDZGCYhqGMeaYaAgokEALw_wcB). "Classic Slipcovered Slope Armchair with Gray Wash Frame, Twill White". Date Unknown: Viewed Feb. 9, 2022 (Year: 2022).\*  
Bemz. <https://bemz.com/en-us/products/henriksdal-armchair-long-skirt-box-pleat>. "Henriksdal, Chair Cover W/ Armrests, Long Skirt Box Pleat". Date Unknown: Viewed Aug. 2022 (Year: 2022).\*  
RH. <https://rh.com/catalog/category/products.jsp?categoryId=cat17640082>. "Ella Skirted Fabric Dining Armchair". Date Unknown: Viewed Aug. 2022 (Year: 2022).\*

(Continued)

*Primary Examiner* — R. Johnson  
(74) *Attorney, Agent, or Firm* — James D Palmatier;  
Applied Patent Services, PC

(57) **CLAIM**

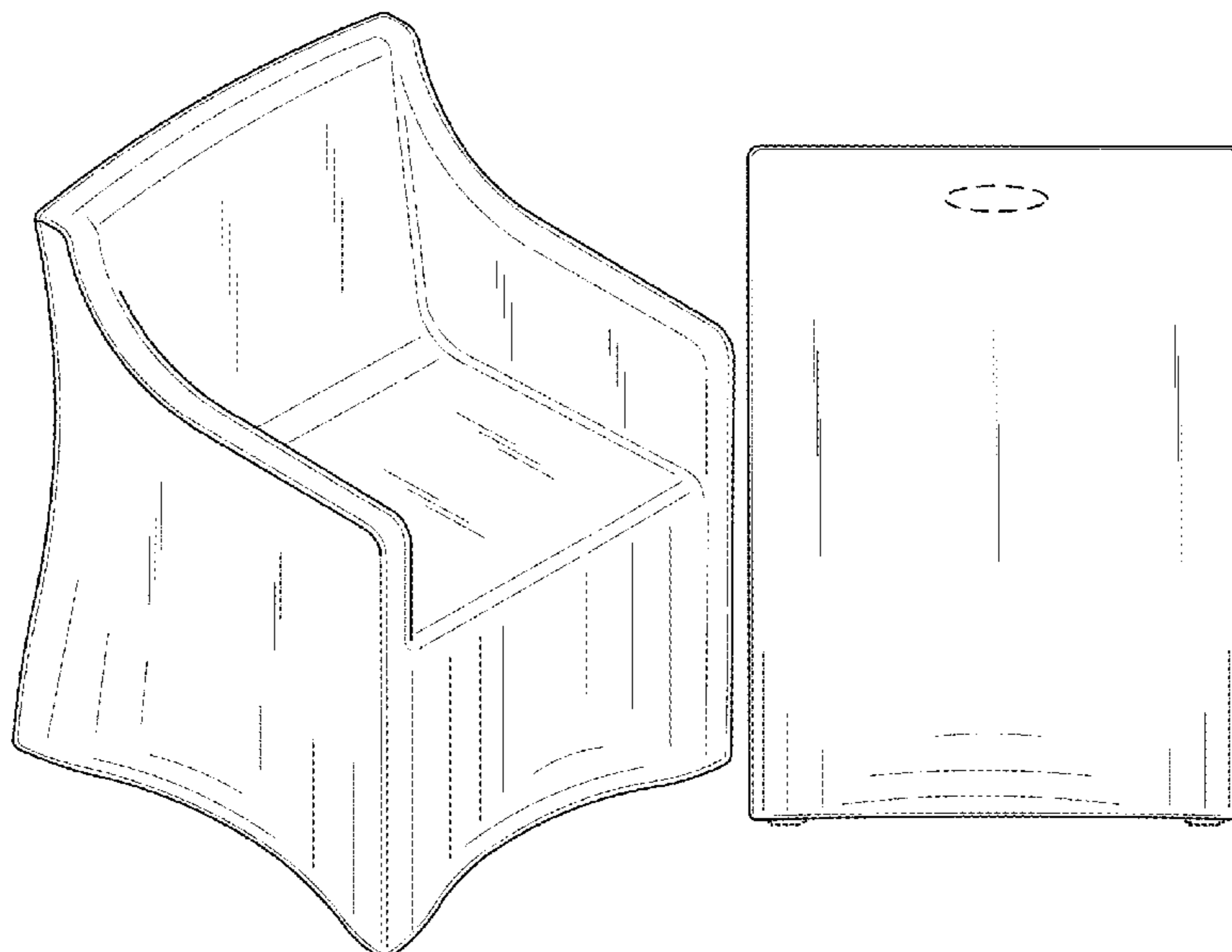
We claim the ornamental design for a skirted chair, as shown and described.

**DESCRIPTION**

FIG. 1 is a top perspective view of a skirted chair showing our new design;  
FIG. 2 is a right side elevation view thereof; the left side elevation being a mirror image thereof;  
FIG. 3 is a top plan view thereof;  
FIG. 4 is a front elevation view thereof;  
FIG. 5 is a bottom plan view thereof; and,  
FIG. 6 is a back elevation view thereof.  
The broken lines represent the portions of the skirted chair that form no part of the claimed design.

**1 Claim, 2 Drawing Sheets**

(56) **References Cited**  
U.S. PATENT DOCUMENTS  
D243,727 S \* 3/1977 Blanco ..... D6/373  
4,632,459 A \* 12/1986 Herschlag ..... A47C 4/028  
297/42  
D318,765 S \* 8/1991 Girogetti Carlo ..... D6/379  
D636,624 S \* 4/2011 Berk ..... D6/611  
D655,927 S \* 3/2012 Orlandini ..... D6/334  
D713,164 S \* 9/2014 Pedersen ..... D6/373  
D904,044 S \* 12/2020 Weiss ..... D6/348



(56)

**References Cited**

OTHER PUBLICATIONS

Bloomingdale's. <https://www.bloomingdales.com/shop/product/bernhardt-bellair-skirted-outdoor-dining-chair?ID=3603417>. "Bernhardt Exteriors Outdoor Bellair Skirted Outdoor Dining Chair". Date Unknown: Viewed Aug. 2022 (Year: 2022).\*

Wayfair. [https://www.wayfair.com/Kelly-Clarkson-Home--Calvert-65.02Cm-Wide-Linen-Armchair-X114324576-L54-K~W003213465.html?refid=GX610586590733-W003213465&device=c&ptid=912001399824&network=g&targetid=pla-912001399824&channel=GooglePLA&ireid=115109274&fdid=1817&campaignid=17756479337&gclid=CjwKCAiAheacBhB8EiwAltVO241VKWVHFZkq6nVufSfLMdvOnvkFLZfA5uDeJ5V8HLSRDf8SgCB-RoC7TwQAvD\\_BwE](https://www.wayfair.com/Kelly-Clarkson-Home--Calvert-65.02Cm-Wide-Linen-Armchair-X114324576-L54-K~W003213465.html?refid=GX610586590733-W003213465&device=c&ptid=912001399824&network=g&targetid=pla-912001399824&channel=GooglePLA&ireid=115109274&fdid=1817&campaignid=17756479337&gclid=CjwKCAiAheacBhB8EiwAltVO241VKWVHFZkq6nVufSfLMdvOnvkFLZfA5uDeJ5V8HLSRDf8SgCB-RoC7TwQAvD_BwE). "Calvert Upholstered Slipcovered Armchair". Date Unknown: Viewed Dec. 2022 (Year: 2022).\*

Frontgate. [https://www.frontgate.com/turin-slipcovered-dining-arm-chair/1448306?listIndex=0&offers\\_sku=168417%20PTL&SourceCode=ZZ51120&intlShippingCtx=US%7CUSD&SourceCode=ZZ51120&gclid=CjwKCAiAheacBhB8EiwAltVO2\\_Bokbudb6ujj5jKbQBblym581qQcOu-3e-n-C2GjQFPvQT8Fr7CoxoCpLEQAvD\\_BwE](https://www.frontgate.com/turin-slipcovered-dining-arm-chair/1448306?listIndex=0&offers_sku=168417%20PTL&SourceCode=ZZ51120&intlShippingCtx=US%7CUSD&SourceCode=ZZ51120&gclid=CjwKCAiAheacBhB8EiwAltVO2_Bokbudb6ujj5jKbQBblym581qQcOu-3e-n-C2GjQFPvQT8Fr7CoxoCpLEQAvD_BwE). "Turin Slipcovered Dining Arm Chair". Date Unknown: Viewed Dec. 2022 (Year: 2022).\*

\* cited by examiner

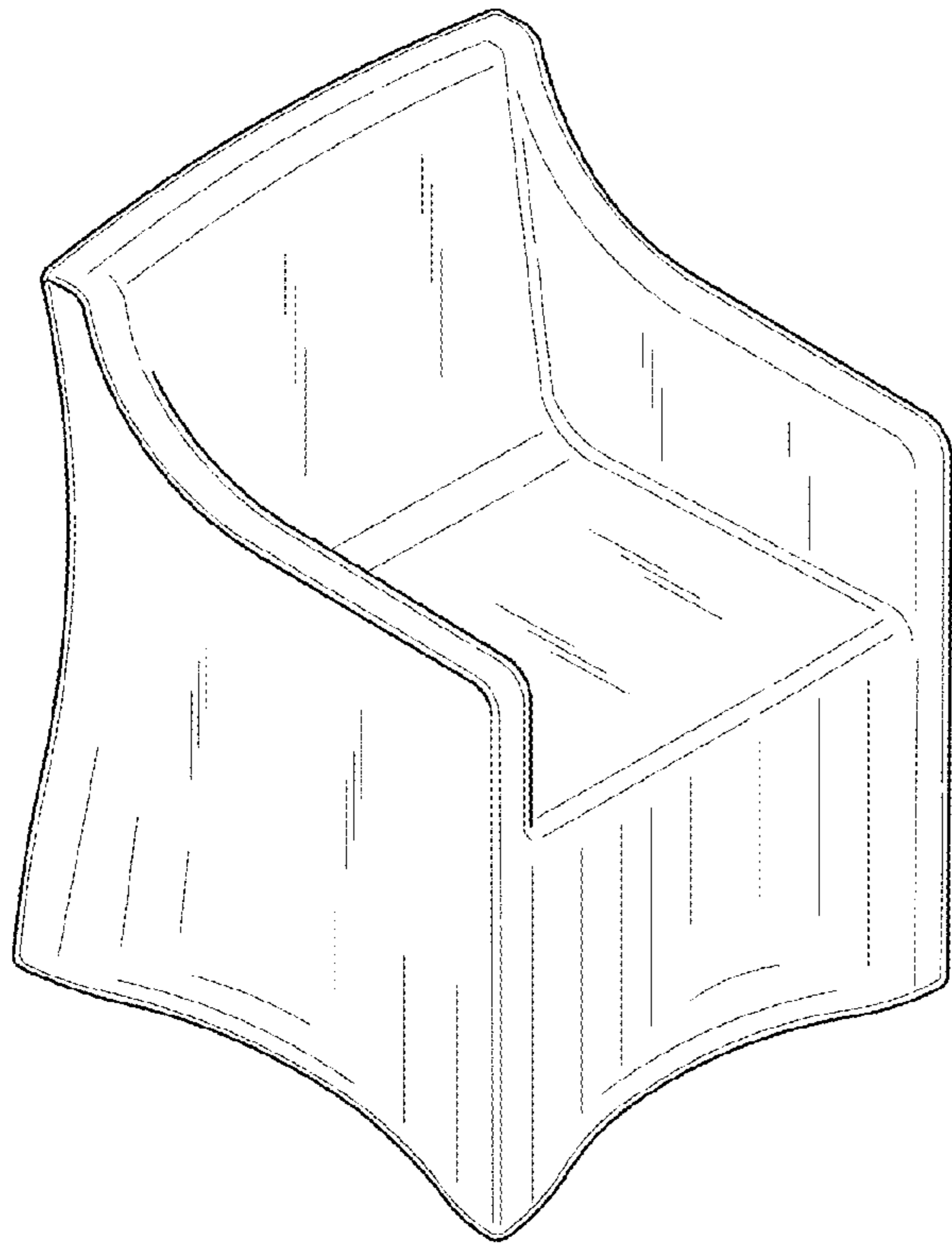


FIG. 1

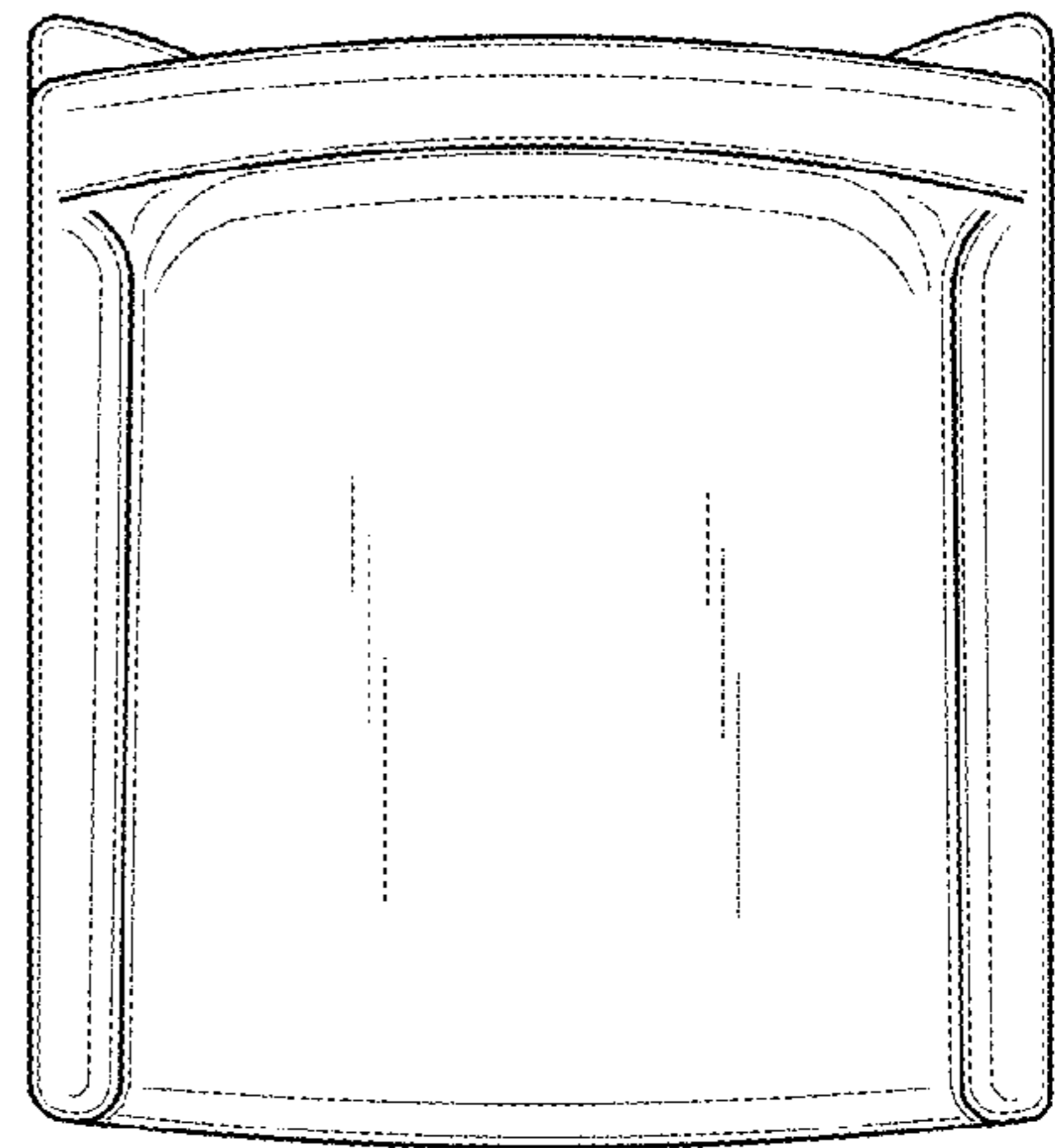


FIG. 3

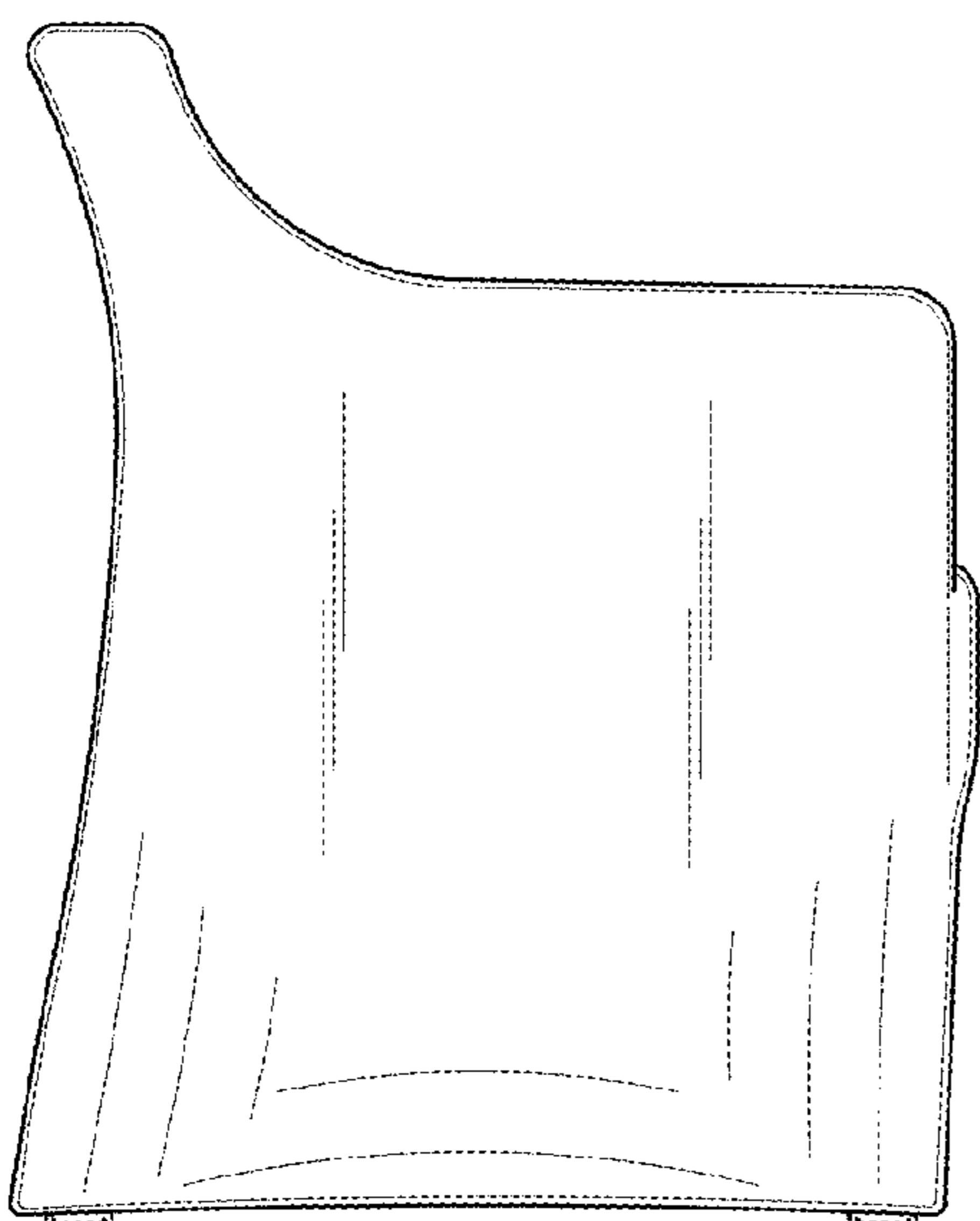


FIG. 2

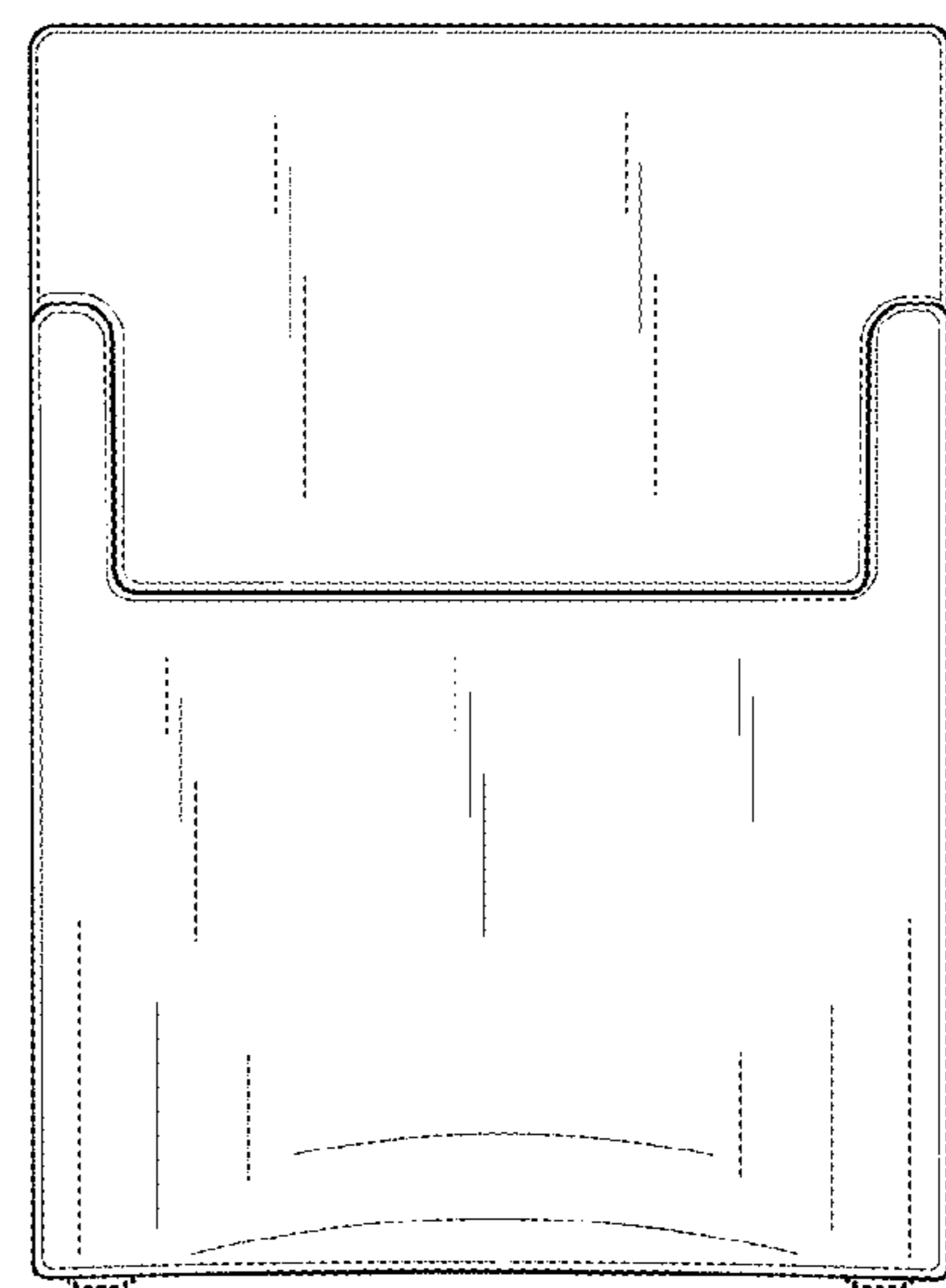


FIG. 4

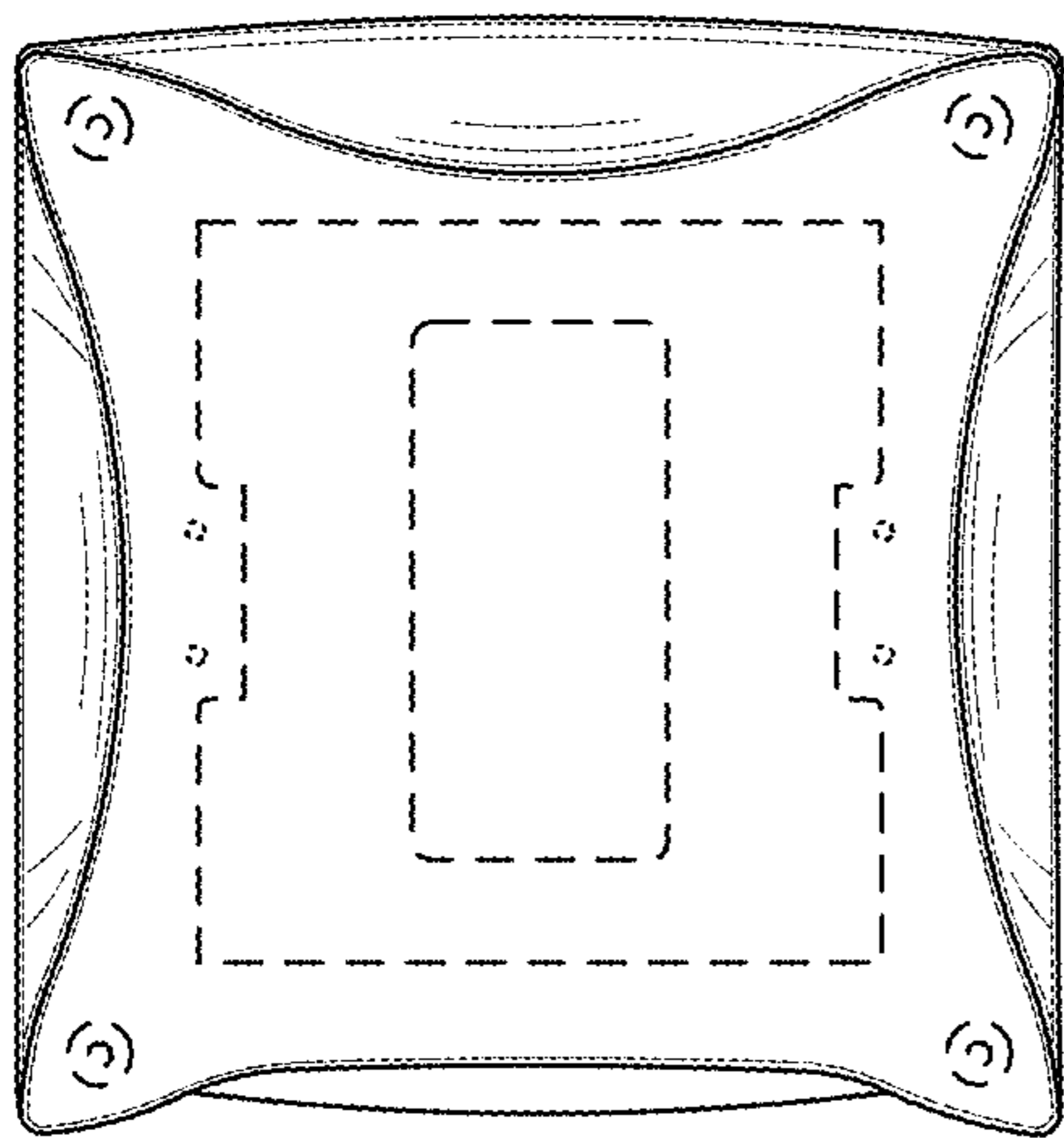


FIG. 5

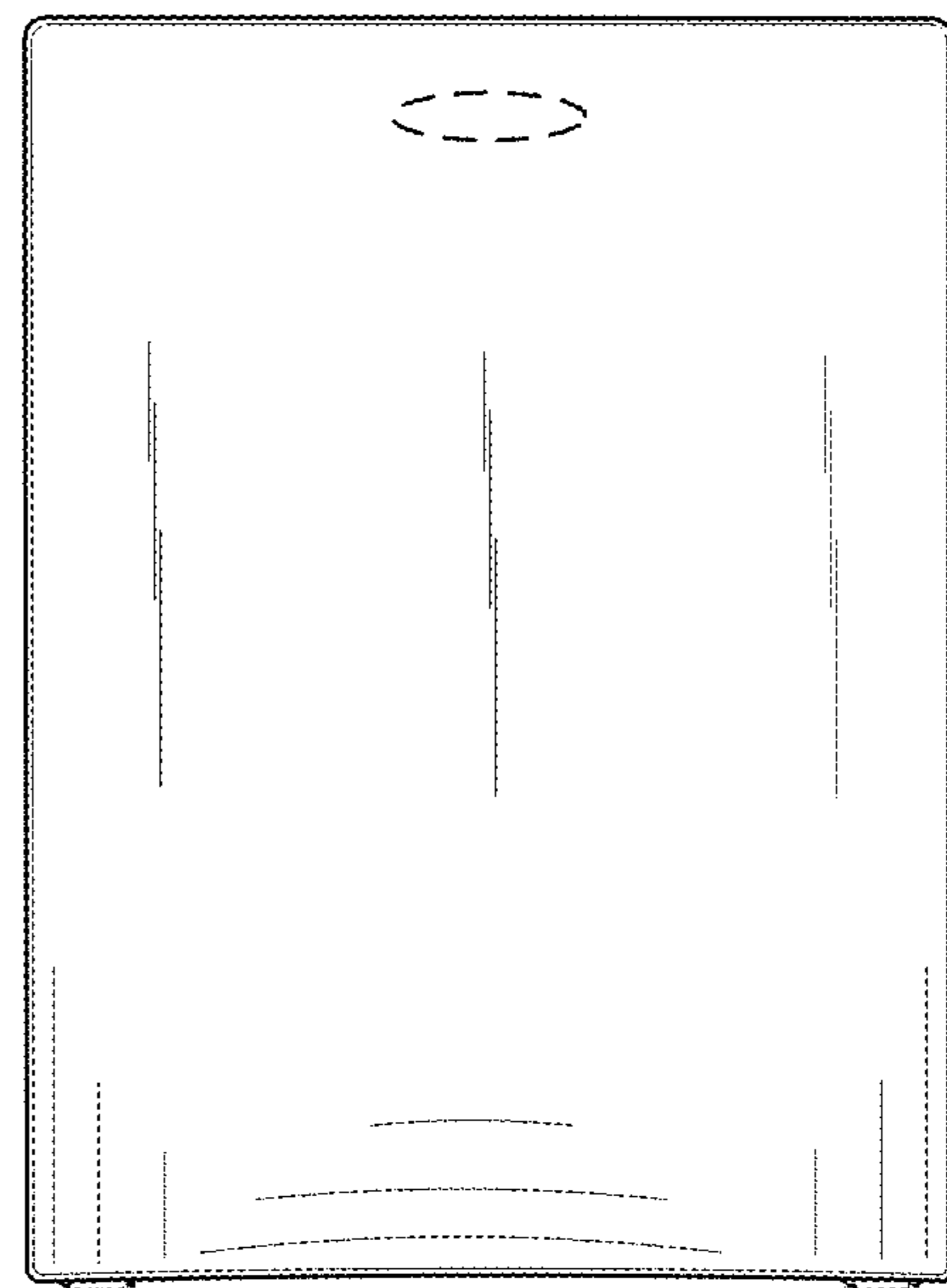


FIG. 6